



US00D424494S

United States Patent [19] Hayashi

[11] Patent Number: **Des. 424,494**

[45] Date of Patent: **** May 9, 2000**

[54] **FRONT PORTION OF A MOTOR VEHICLE**

[75] Inventor: **Kouichi Hayashi**, Hiroshima, Japan

[73] Assignee: **Mazda Motor Corporation**,
Hiroshima-Ken, Japan

[**] Term: **14 Years**

[21] Appl. No.: **29/097,180**

[22] Filed: **Nov. 30, 1998**

[51] **LOC (7) Cl.** **12-16**

[52] **U.S. Cl.** **D12/196**

[58] **Field of Search** D12/196, 90-92;
296/185

[56] **References Cited**

U.S. PATENT DOCUMENTS

- D. 403,989 1/1999 Homua et al. D12/91
- D. 406,795 3/1999 Naguru et al. D12/91
- D. 414,134 9/1999 Ikeda D12/91

FOREIGN PATENT DOCUMENTS

666149 8/1985 Japan .

Primary Examiner—Melody N. Brown
Attorney, Agent, or Firm—Sidley & Austin; Hugh A. Abrams

[57] **CLAIM**

The ornamental design for a front portion of a motor vehicle, as shown and described.

DESCRIPTION

FIG. 1 is a perspective view of a front portion of a motor vehicle showing a first embodiment of my new design;

FIG. 2 is a front view thereof;

FIG. 3 is a rear view of thereof;

FIG. 4 is a right side view thereof;

FIG. 5 is a left side view thereof; and,

FIG. 6 is a top view thereof.

The portion of the motor vehicle shown in broken lines is for illustrative purpose only and forms no part of the claimed design.

1 Claim, 5 Drawing Sheets

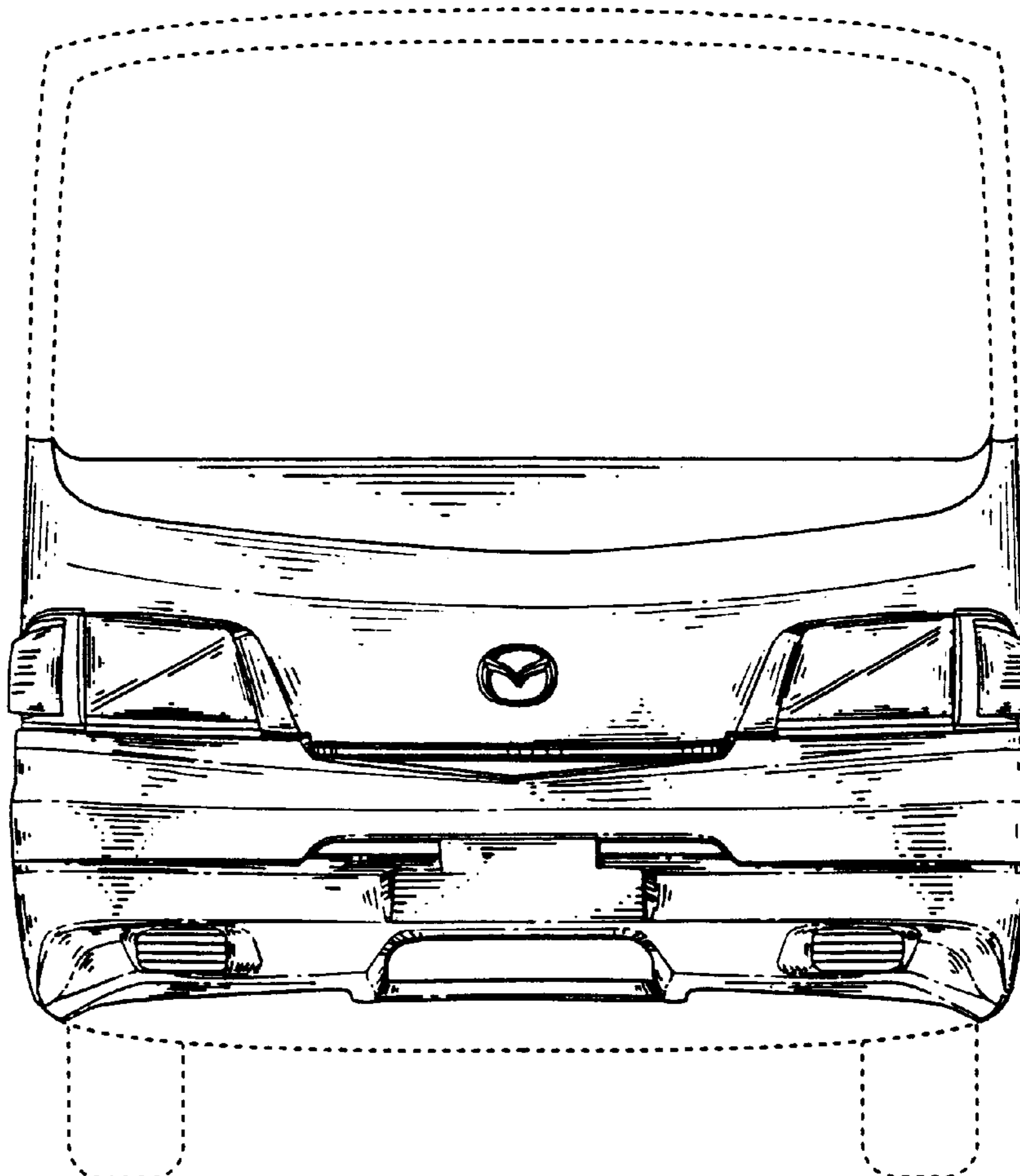


FIG. 1

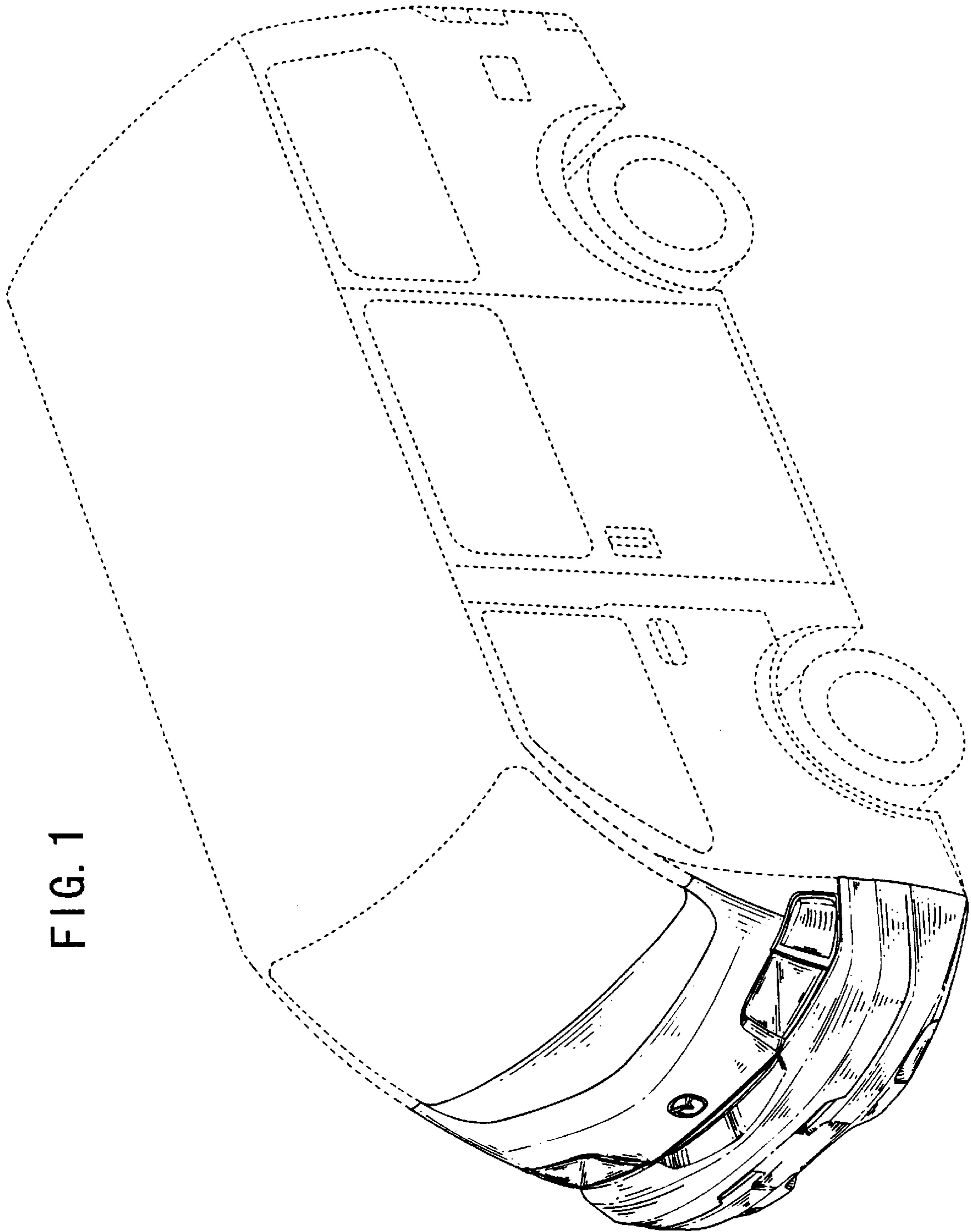


FIG. 2

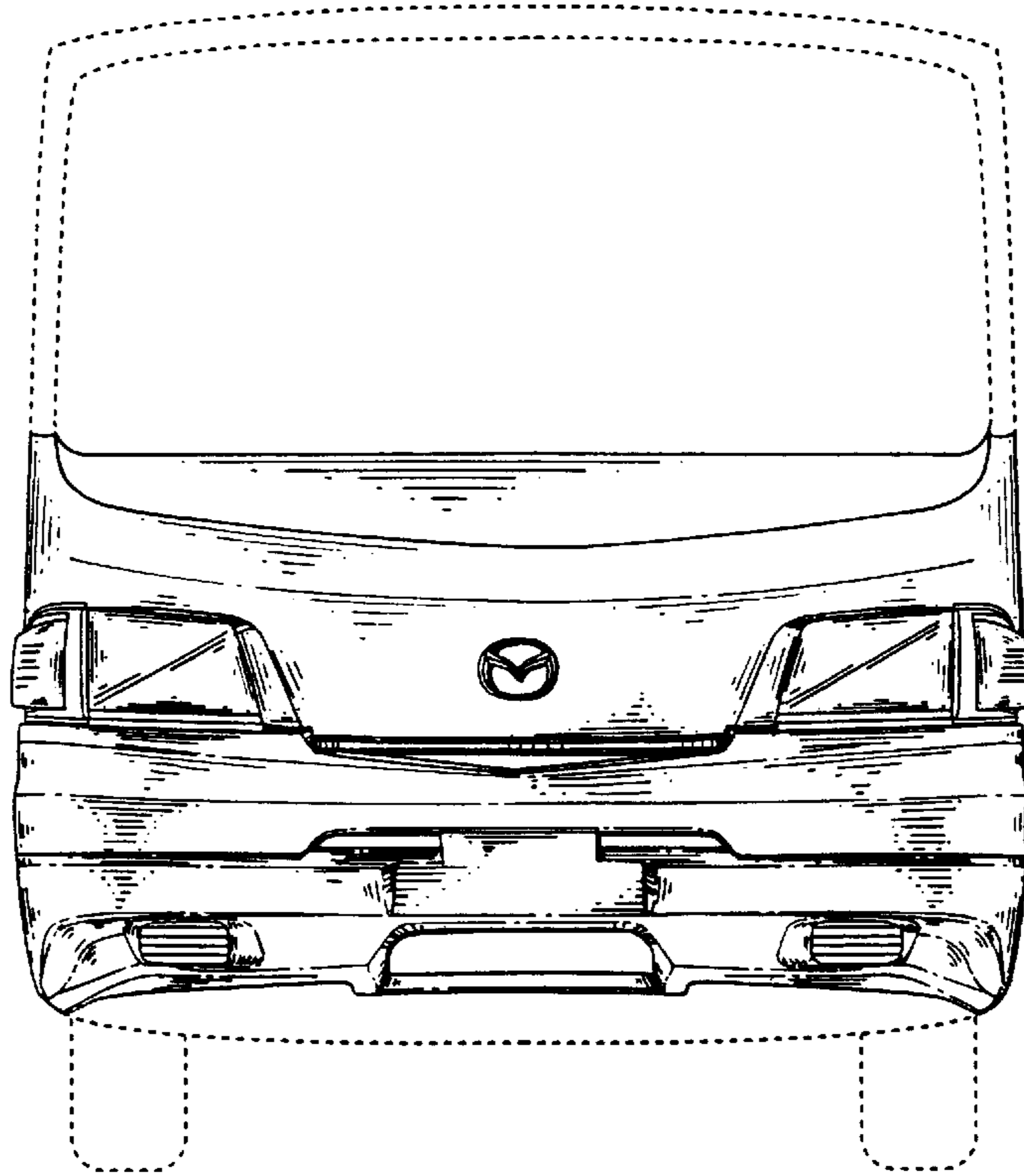


FIG. 3

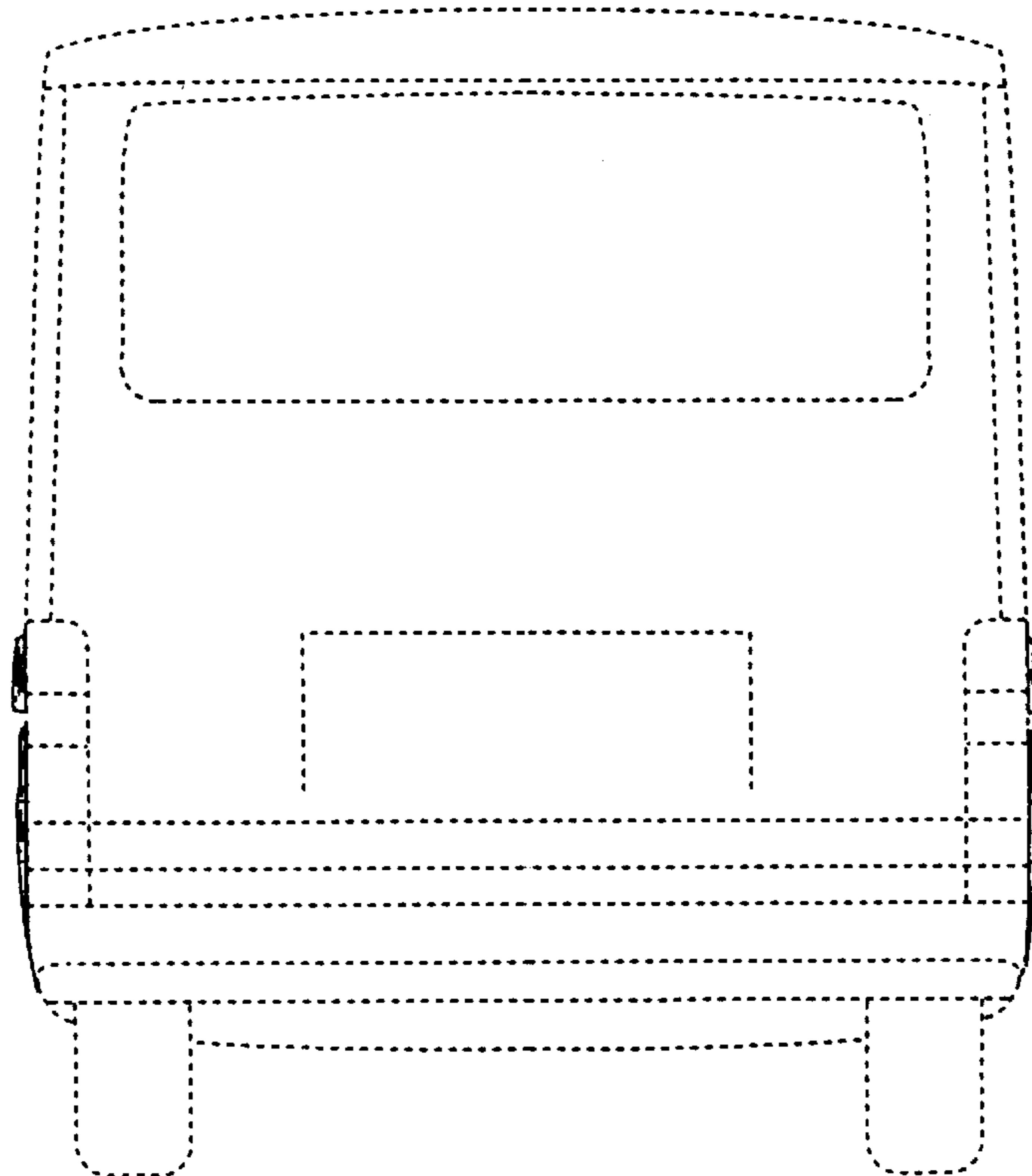


FIG. 4

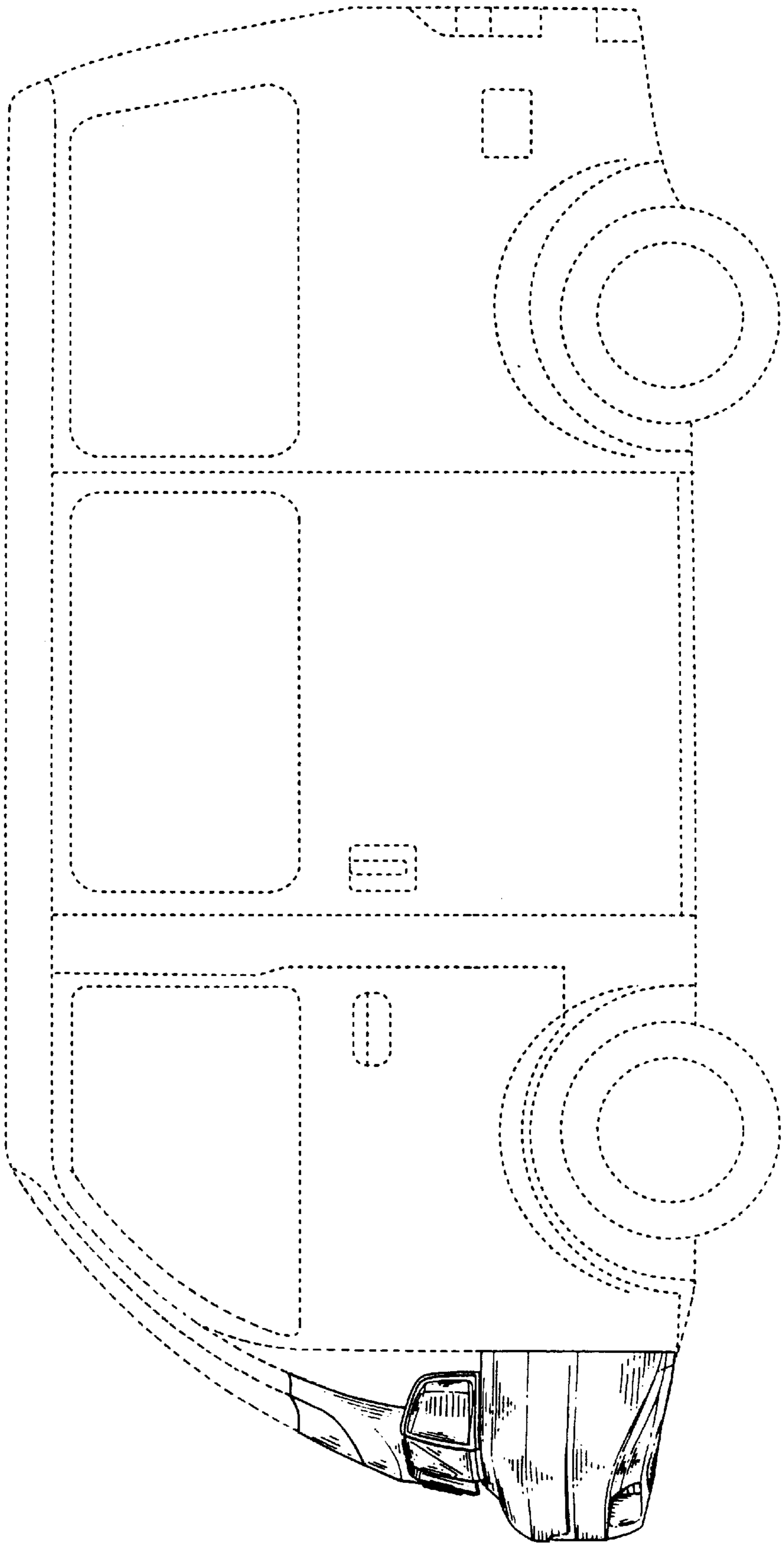


FIG. 5

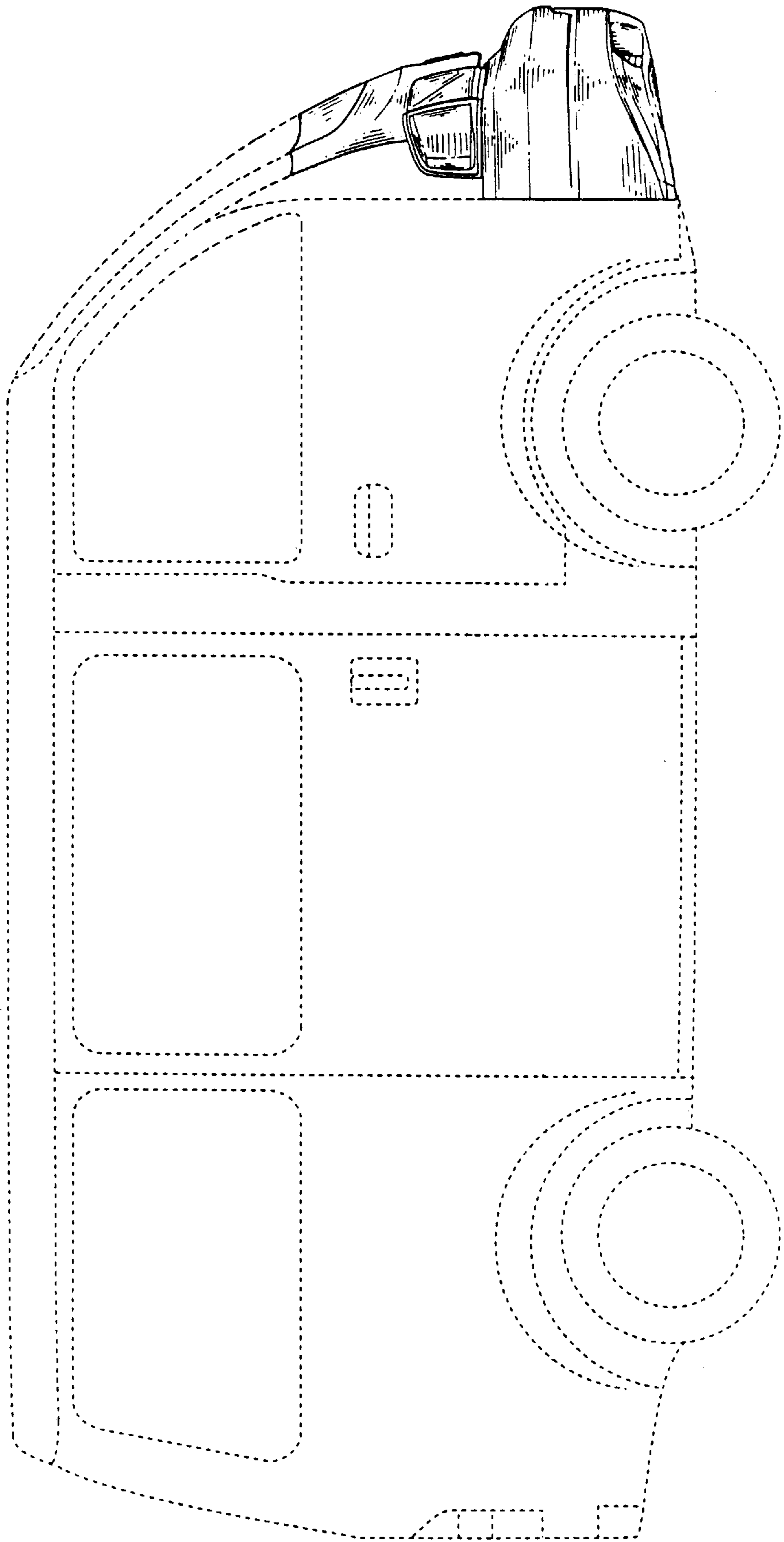


FIG. 6

