



US00D424487S

**United States Patent** [19]  
**Asakura**

[11] **Patent Number: Des. 424,487**

[45] **Date of Patent: \*\* May 9, 2000**

[54] **PEDAL FOR AUTOMOBILES**

[75] Inventor: **Toshiaki Asakura**, Tokyo, Japan

[73] Assignee: **Napolex Corporation**, Tokyo, Japan

[\*\*] Term: **14 Years**

[21] Appl. No.: **29/096,106**

[22] Filed: **Nov. 5, 1998**

[51] **LOC (7) Cl.** ..... **12-16**

[52] **U.S. Cl.** ..... **D12/174**

[58] **Field of Search** ..... D12/174, 120,  
D12/125; 74/562, 563, 560, 562.5, 512

[56] **References Cited**

**U.S. PATENT DOCUMENTS**

D. 208,403	8/1967	Bisanar	.....	D12/174
D. 284,070	6/1986	Eichstadt	.....	D12/174
D. 284,071	6/1986	Eichstadt	.....	D12/174
D. 311,166	10/1990	Asano	.....	D12/174
5,398,570	3/1995	Chae	.....	74/563
5,497,678	3/1996	Chou	.....	74/562.5

*Primary Examiner*—Melody N. Brown  
*Attorney, Agent, or Firm*—Abelman, Frayne & Schwab

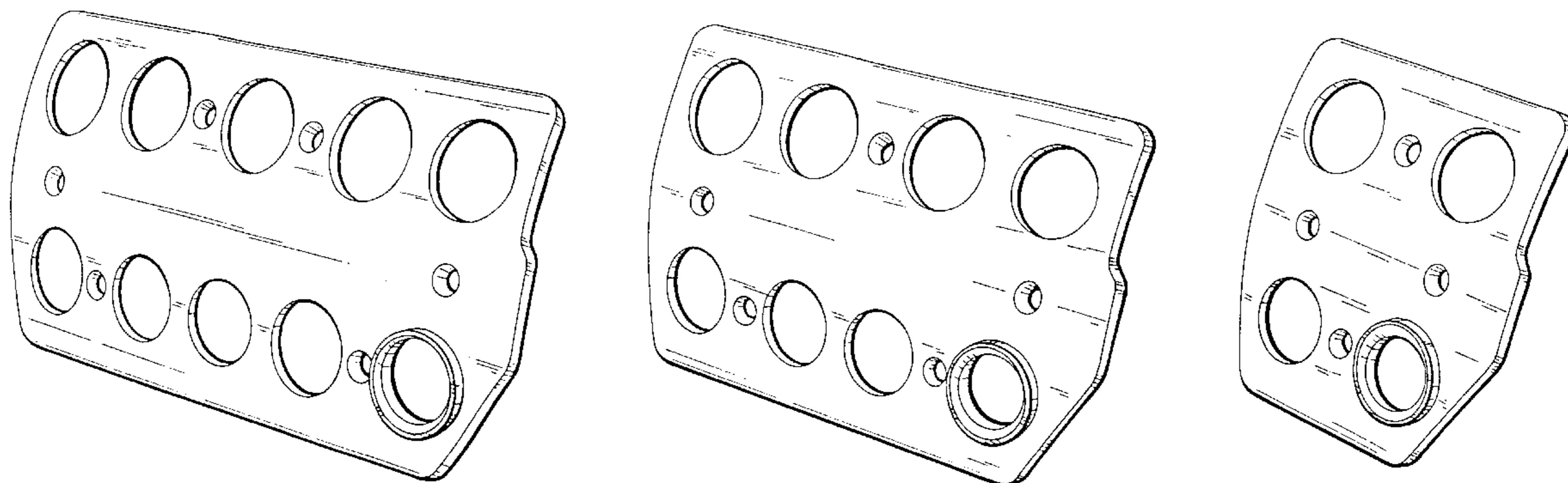
[57] **CLAIM**

The ornamental design for a pedal for automobiles, as shown.

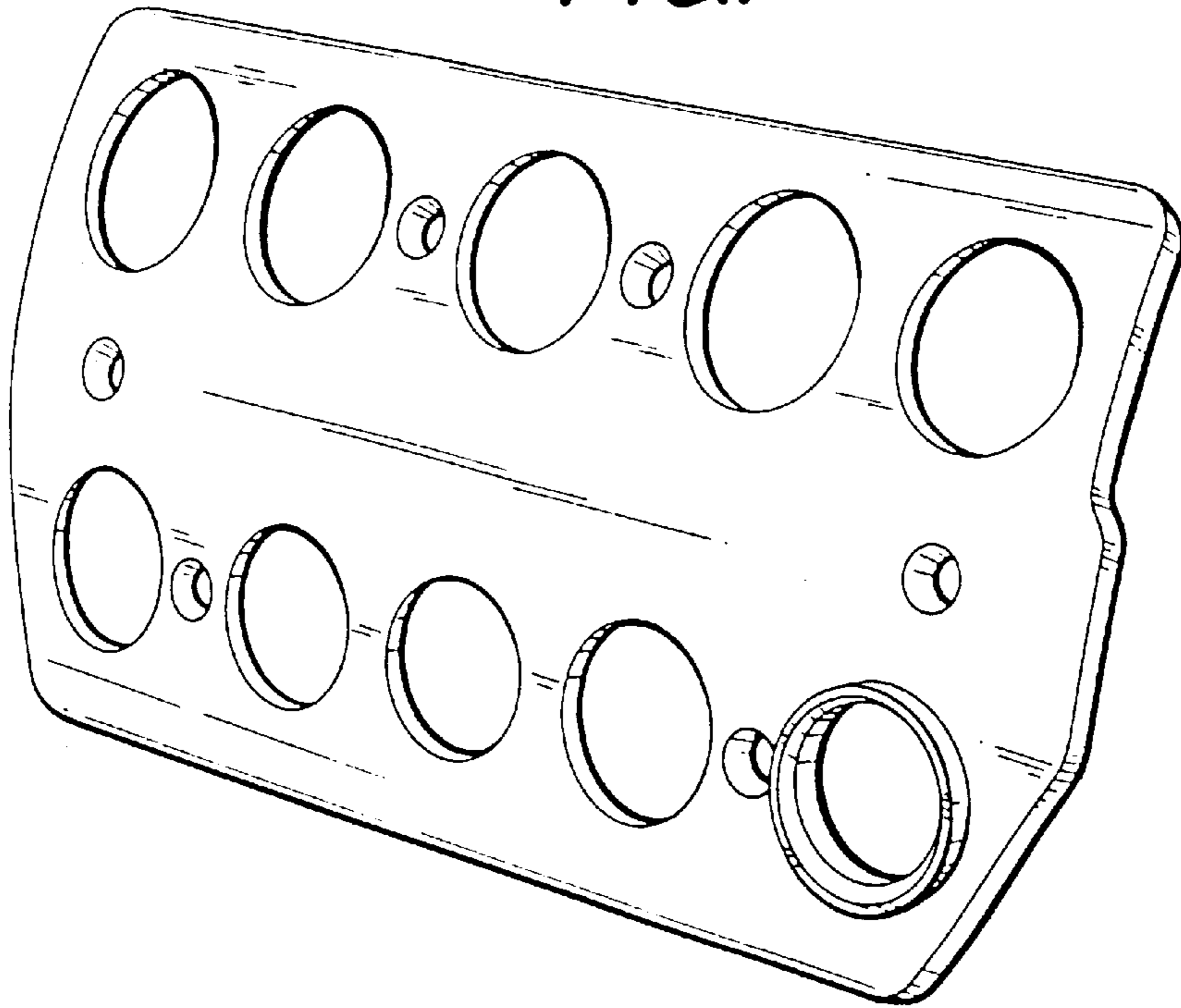
**DESCRIPTION**

FIG. 1 is a top, front perspective view of a pedal for automobiles;  
 FIG. 2 is a right-side view thereof;  
 FIG. 3 is a top view thereof;  
 FIG. 4 is a rear view thereof.  
 FIG. 5 is a top, front perspective view of a second embodiment of a pedal for automobiles;  
 FIG. 6 is a rear view of FIG. 5.  
 FIG. 7 is a right side view of FIG. 5.  
 FIG. 8 is a top view of FIG. 5.  
 FIG. 9 is a top, front perspective view of a third embodiment of a pedal for automobiles;  
 FIG. 10 is a rear view of FIG. 9;  
 FIG. 11 is a right side view of FIG. 9; and,  
 FIG. 12 is a top view of FIG. 9.

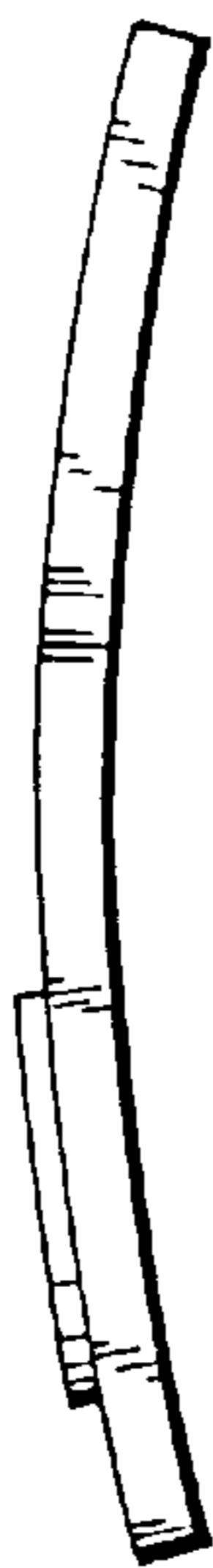
**1 Claim, 5 Drawing Sheets**



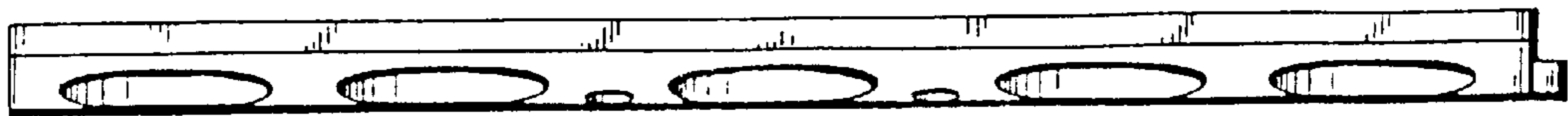
*FIG.1*

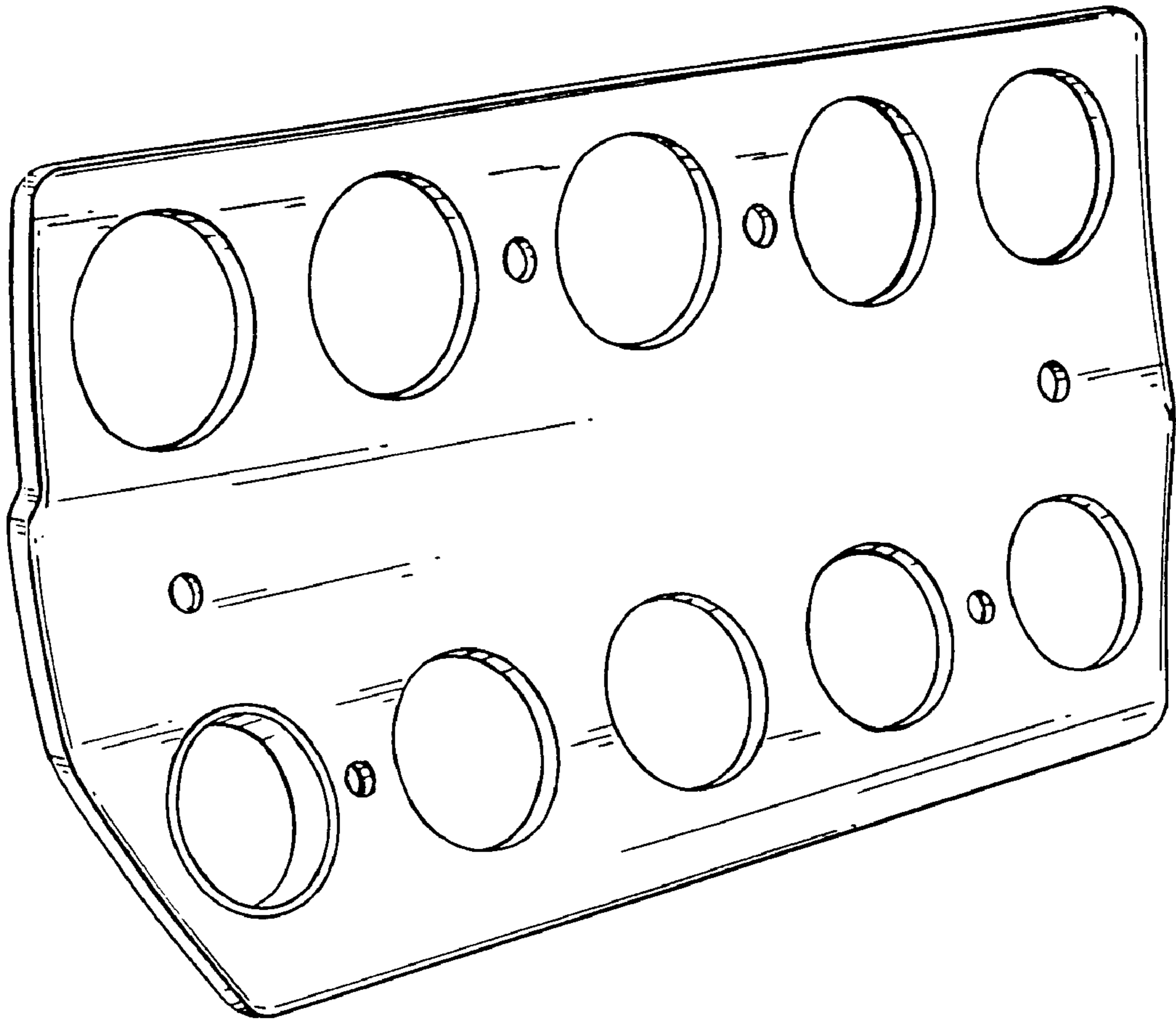


*FIG.2*



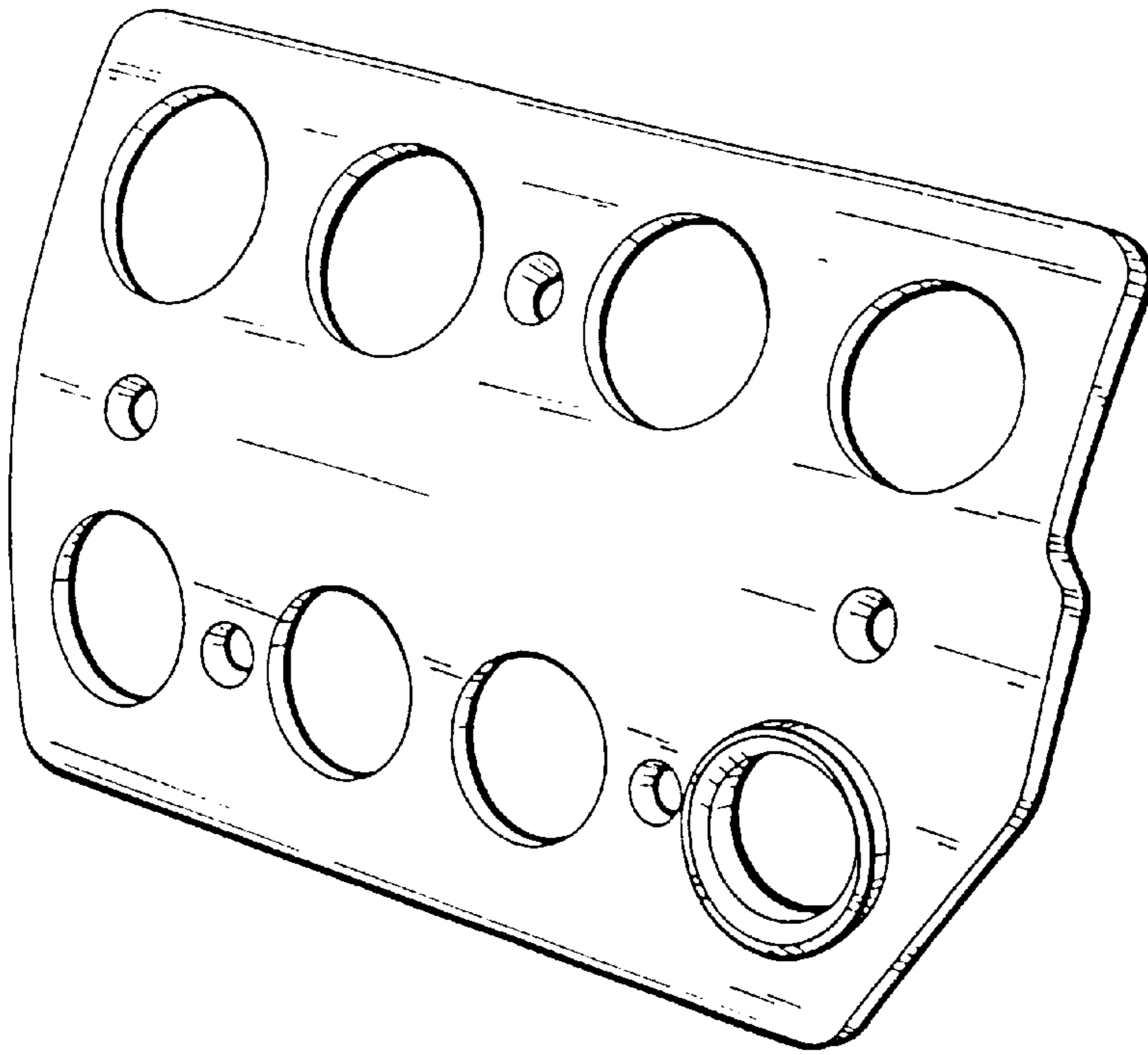
*FIG.3*



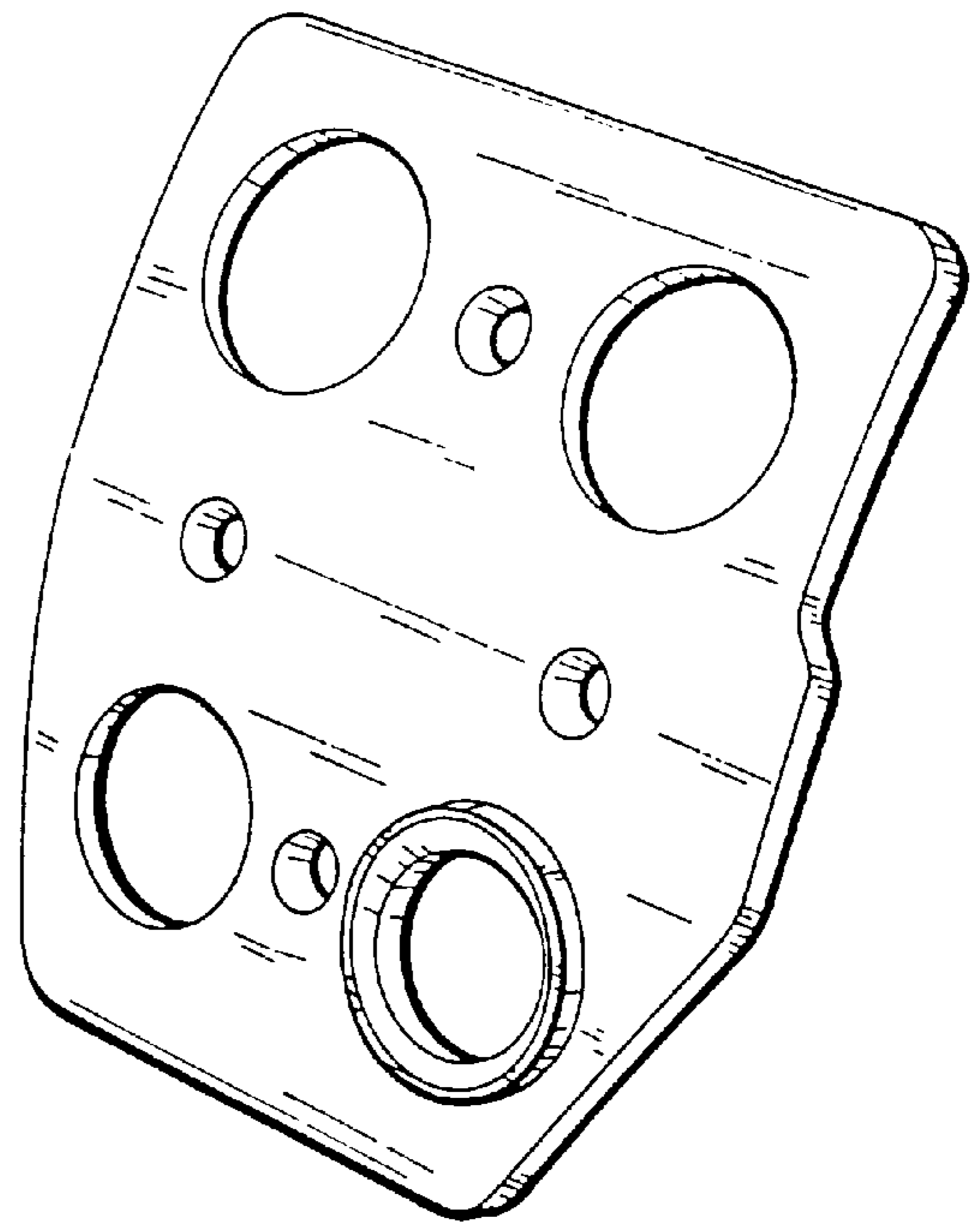


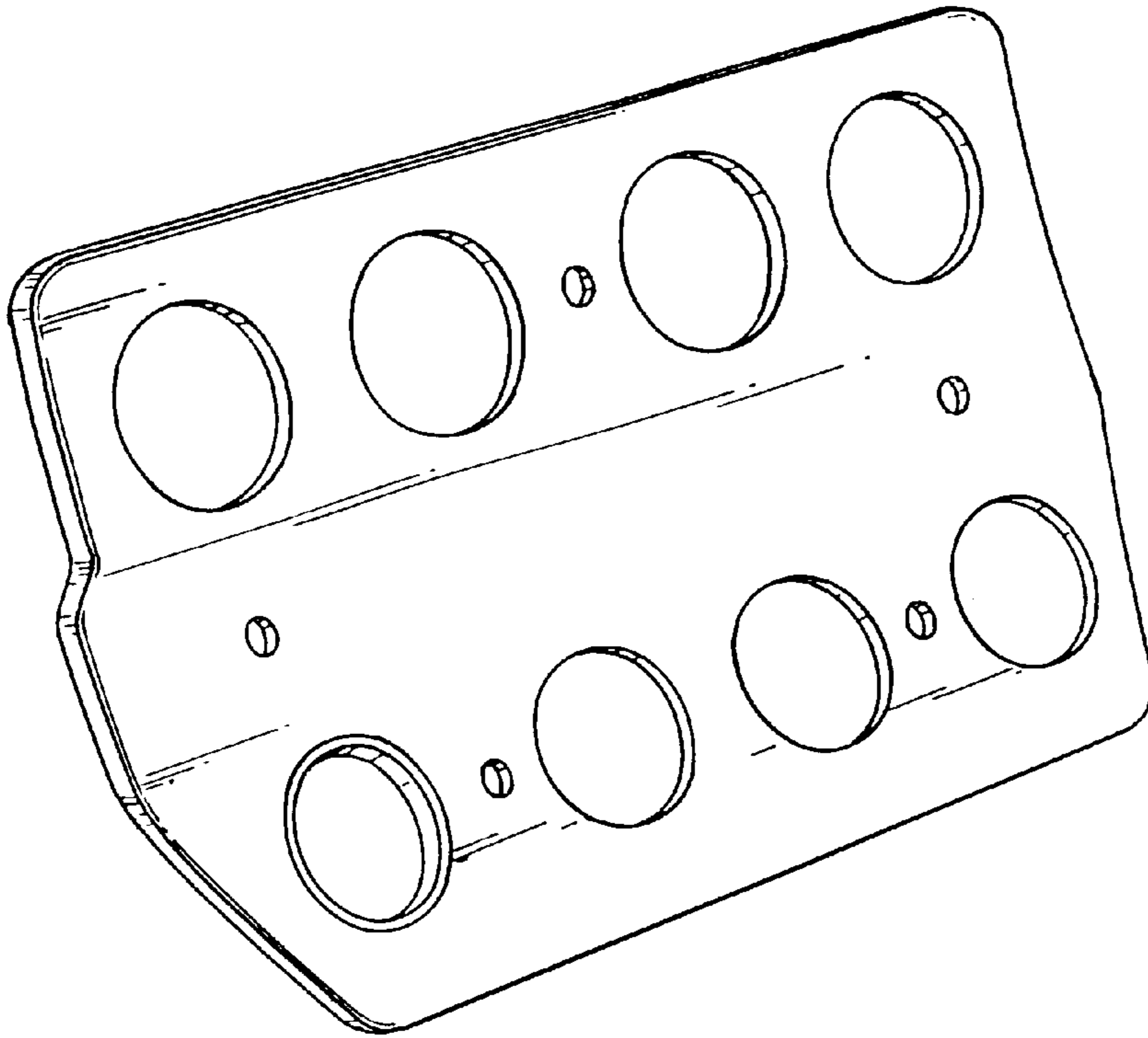
*FIG. 4*

*FIG.5*

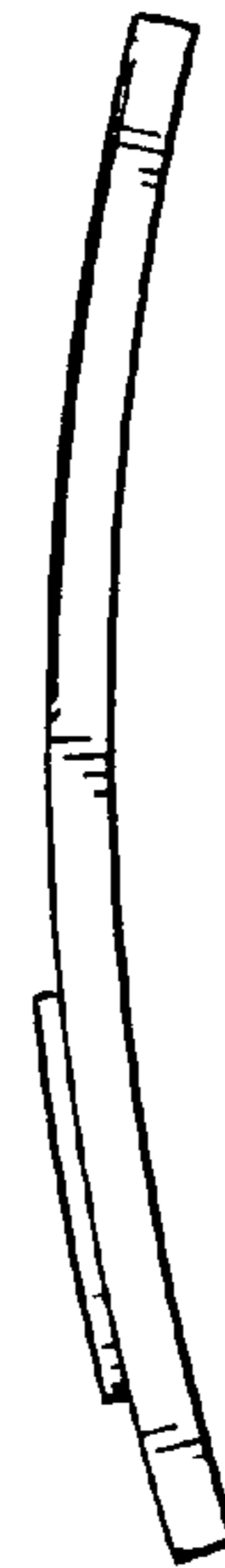


*FIG.9*

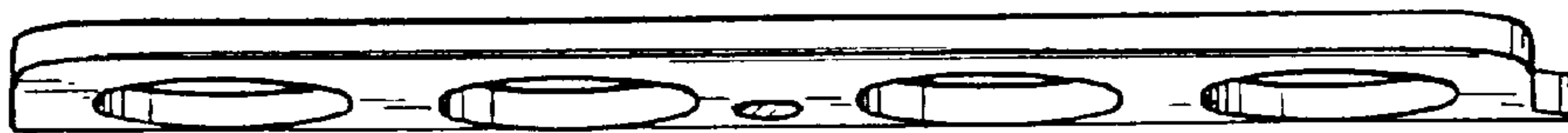




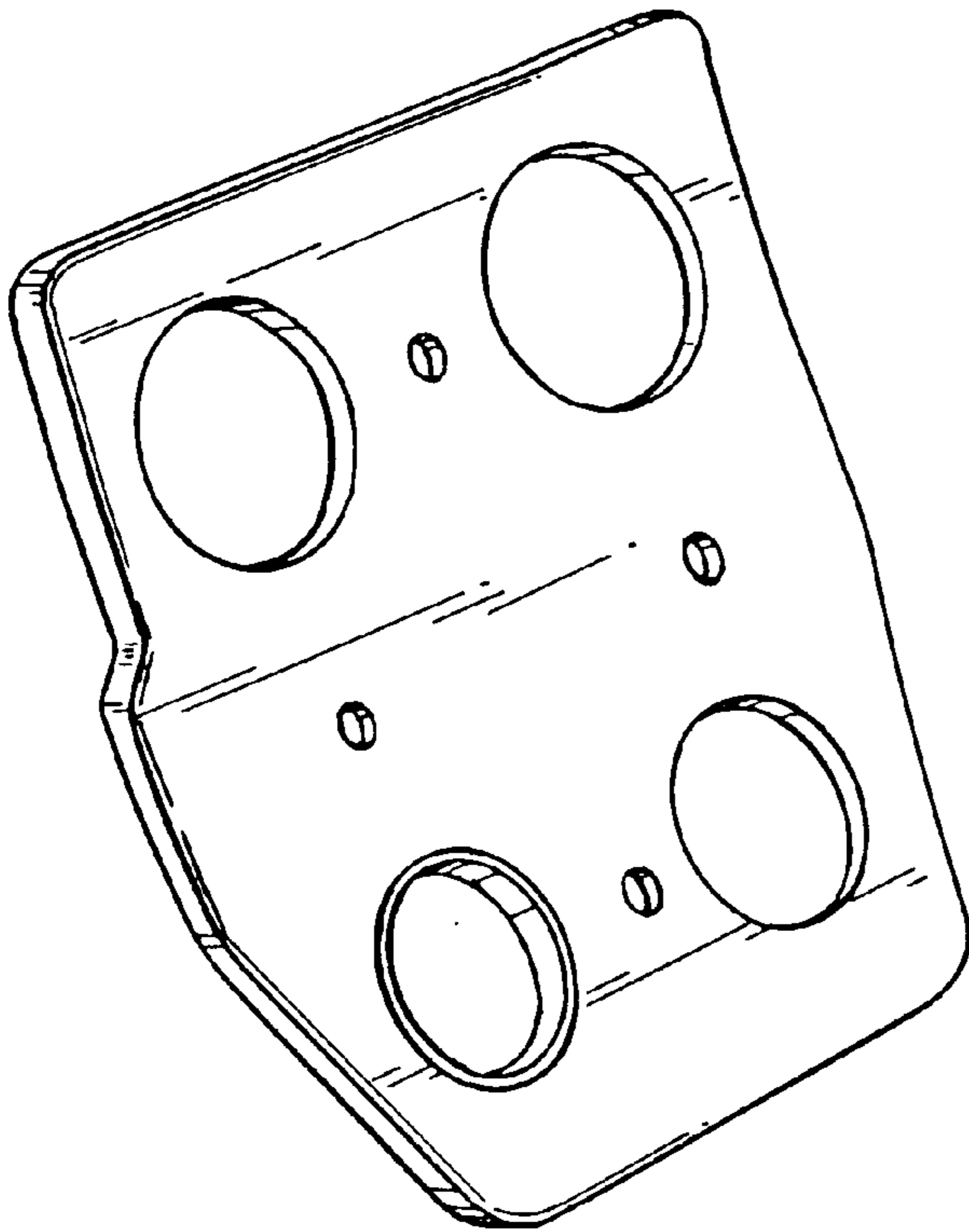
*FIG. 6*



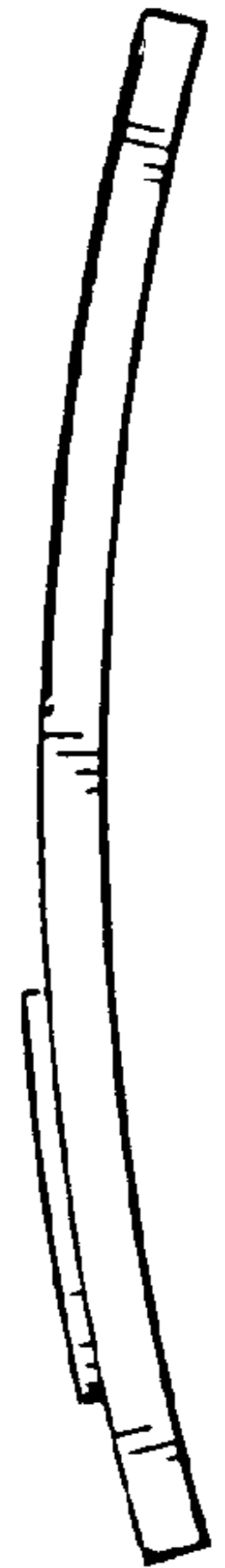
*FIG. 7*



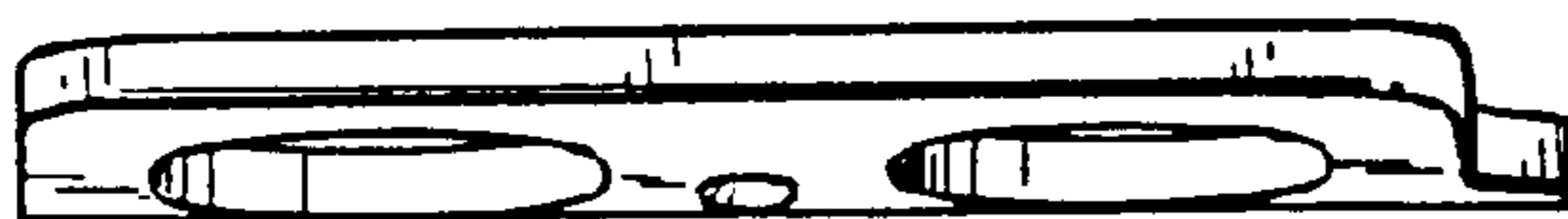
*FIG. 8*



*FIG. 10*



*FIG. 11*



*FIG. 12*