



US00D424486S

# United States Patent [19]

Saleen et al.

[11] **Patent Number: Des. 424,486**

[45] **Date of Patent: \*\* May 9, 2000**

[54] **VEHICLE REAR BUMPER**

D. 374,201 10/1996 Nagashimu ..... D12/169  
D. 402,603 12/1998 Wilkowski ..... D12/169

[75] Inventors: **Stephen M. Saleen**, Dove Canyon, Calif.; **Philip A. Frank**, Portland, Oreg.

*Primary Examiner*—Melody N. Brown  
*Attorney, Agent, or Firm*—Lyon & Lyon LLP

[73] Assignee: **Saleen Performance, Inc.**, Irvine, Calif.

[57] **CLAIM**

[\*\*] Term: **14 Years**

The ornamental design for a vehicle rear bumper, as shown and described.

[21] Appl. No.: **29/092,936**

### DESCRIPTION

[22] Filed: **Aug. 31, 1998**

[51] **LOC (7) Cl.** ..... **12-16**

[52] **U.S. Cl.** ..... **D12/169**

[58] **Field of Search** ..... D12/169, 167,  
D12/181; 293/102, 113, 115, 120; 296/180.1,  
180.2

FIG. 1 is a perspective view of a vehicle rear bumper showing our new design, it being understood the vehicle shown in broken lines is for illustrative purposes only and forms no part of the claimed design;

FIG. 2 is a front view (from the rear of the vehicle);

FIG. 3 is a bottom view;

FIG. 4 is a top view;

FIG. 5 is a rear view;

FIG. 6 is a left side view; and,

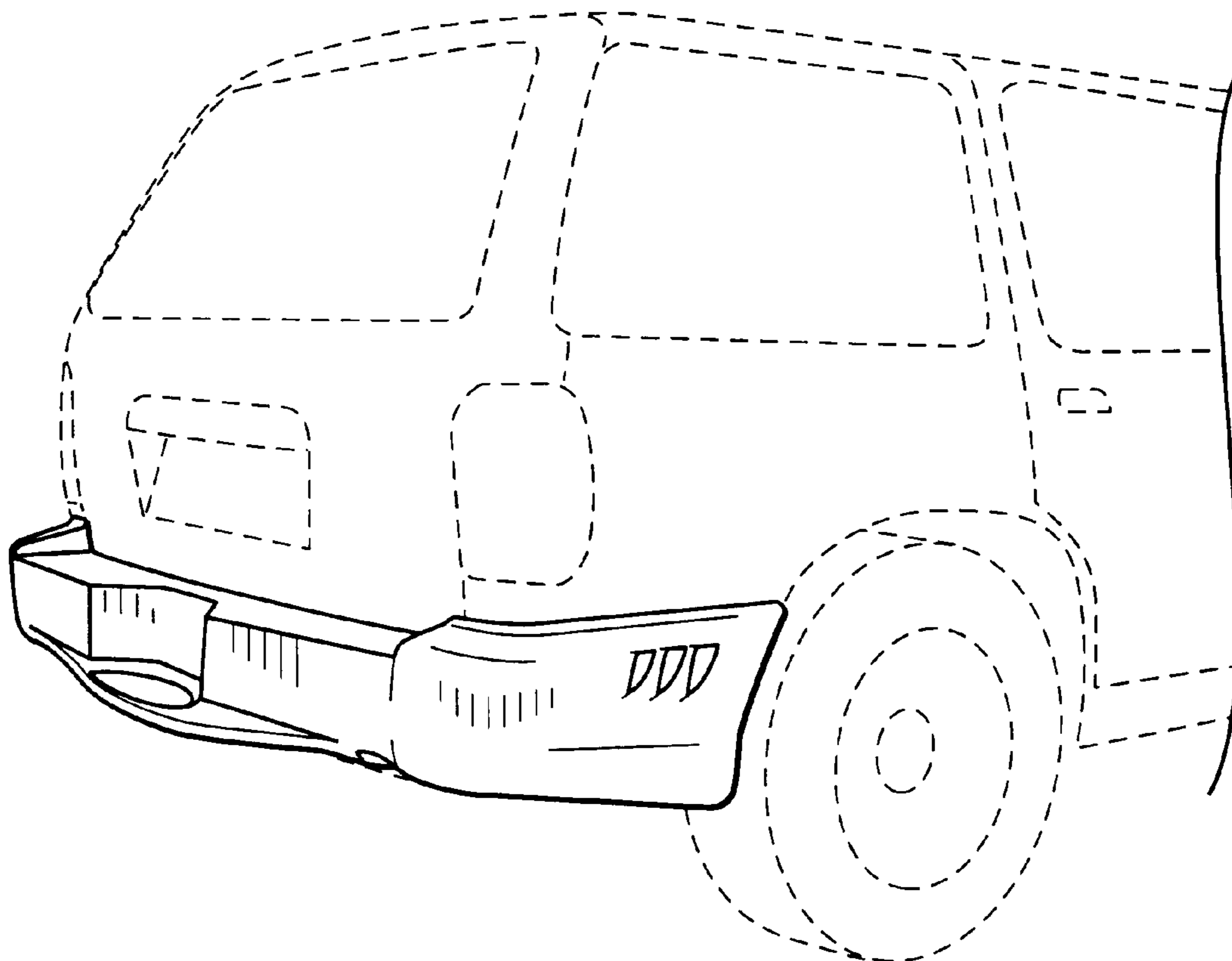
FIG. 7 is a right side view.

### [56] **References Cited**

#### U.S. PATENT DOCUMENTS

D. 324,017 2/1992 Malmgren et al. .... D12/169  
D. 367,028 2/1996 Fairweather ..... D12/169

**1 Claim, 2 Drawing Sheets**



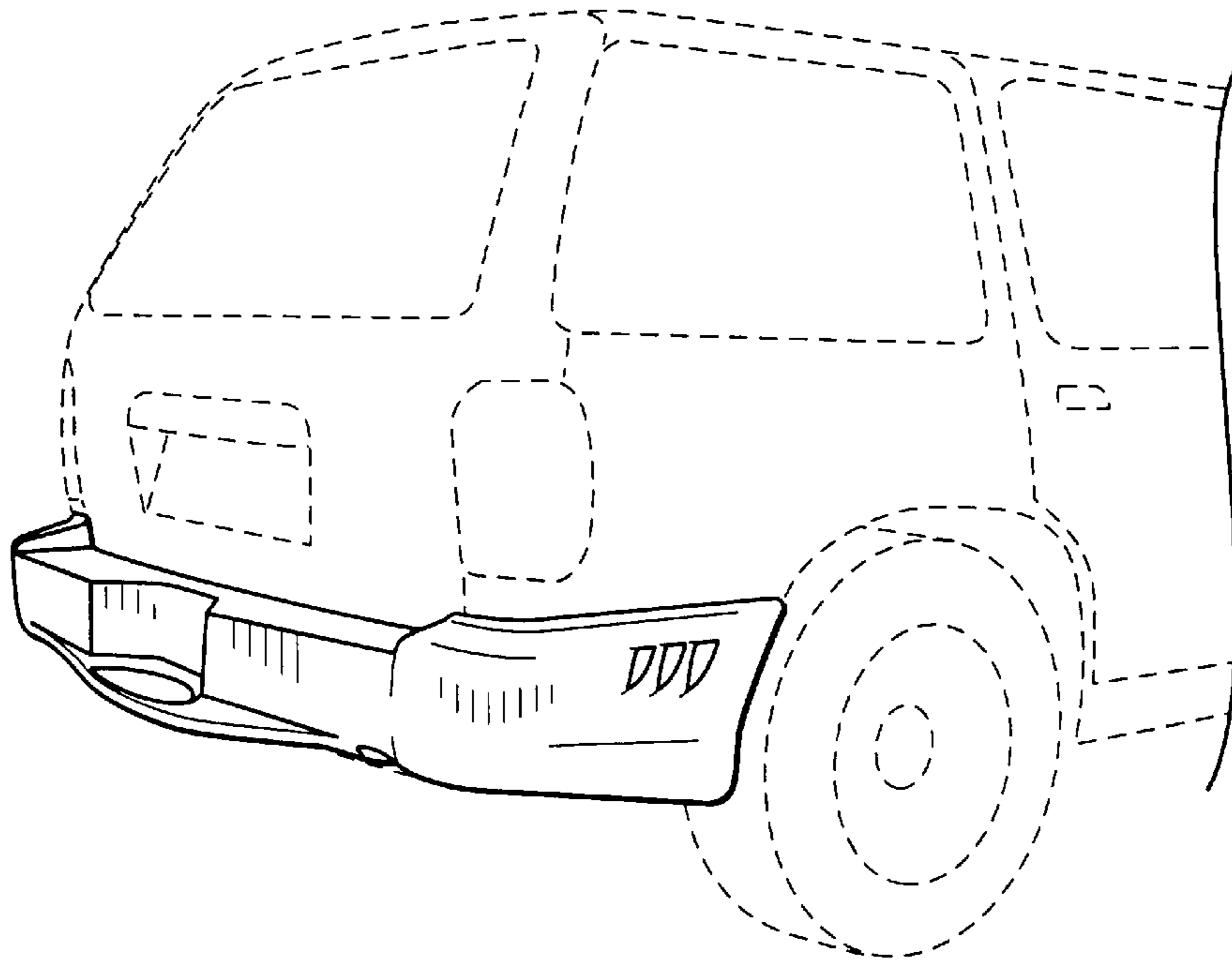


FIG. 1

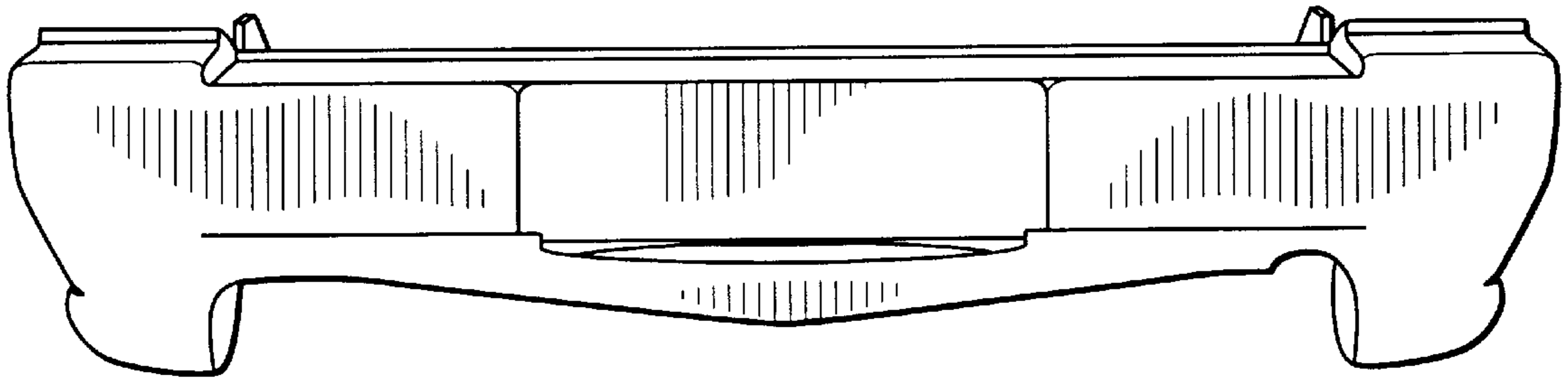


FIG. 2

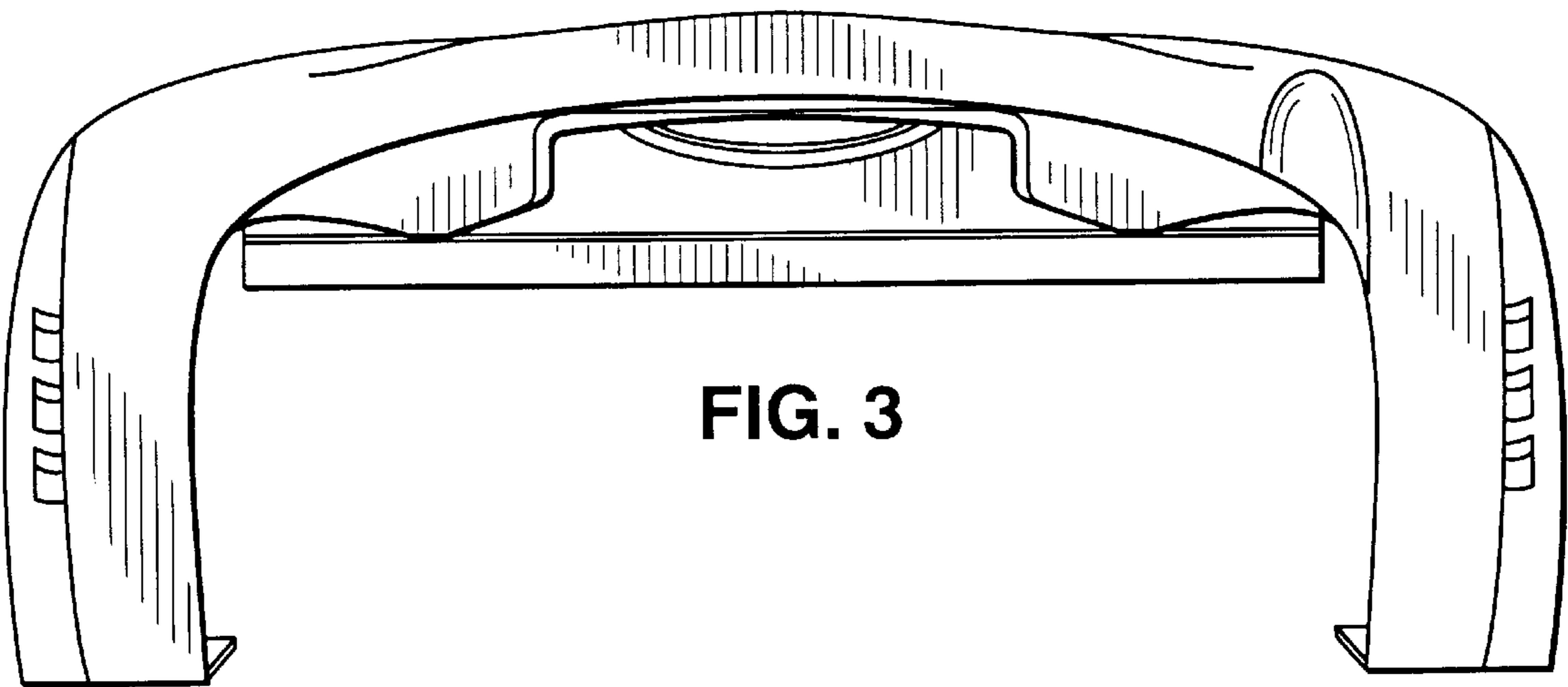


FIG. 3

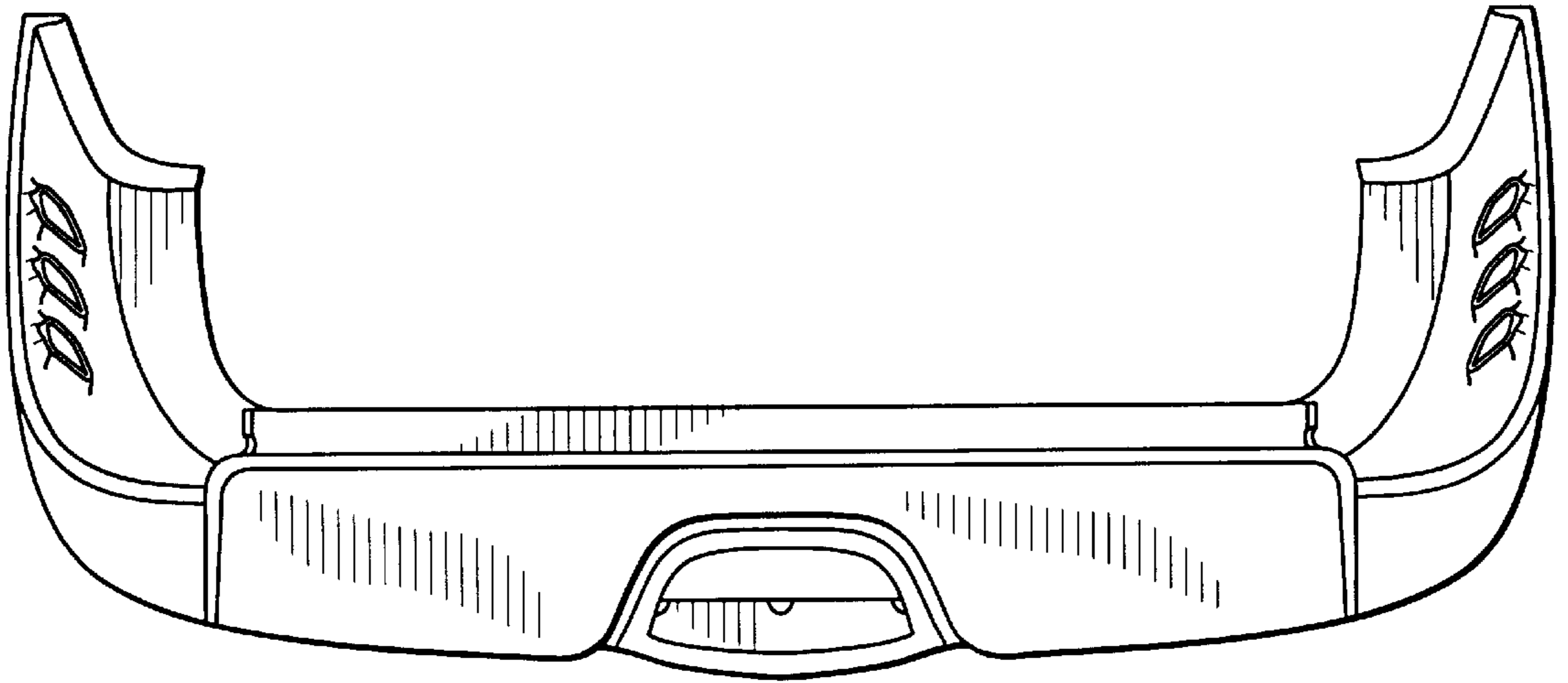


FIG. 4

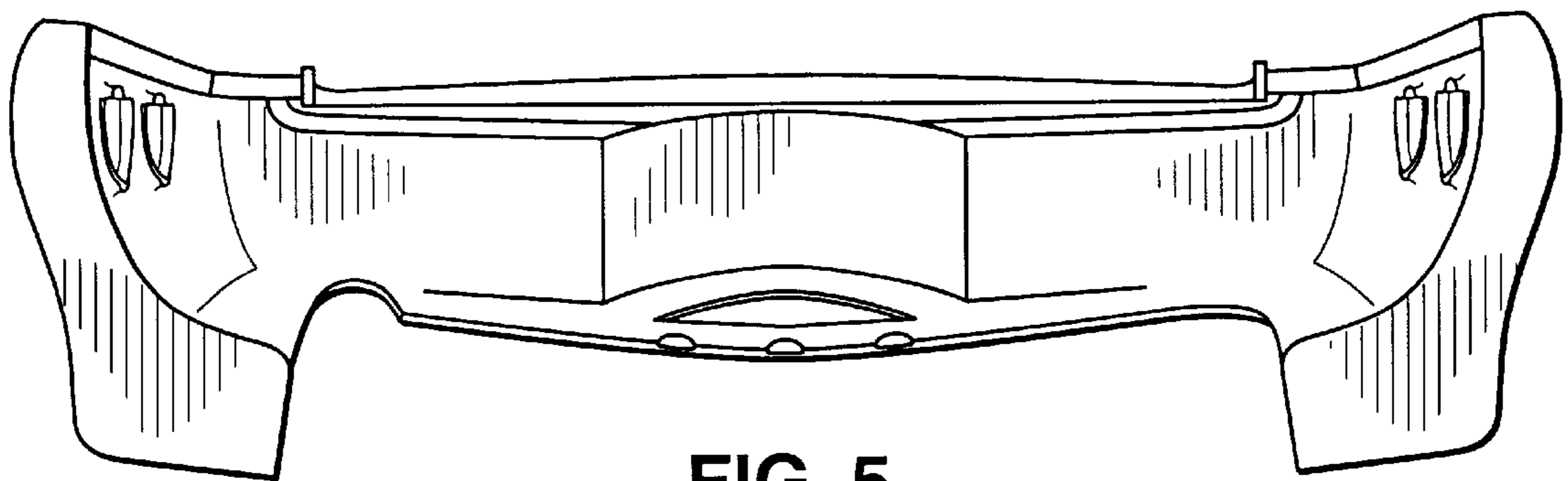


FIG. 5

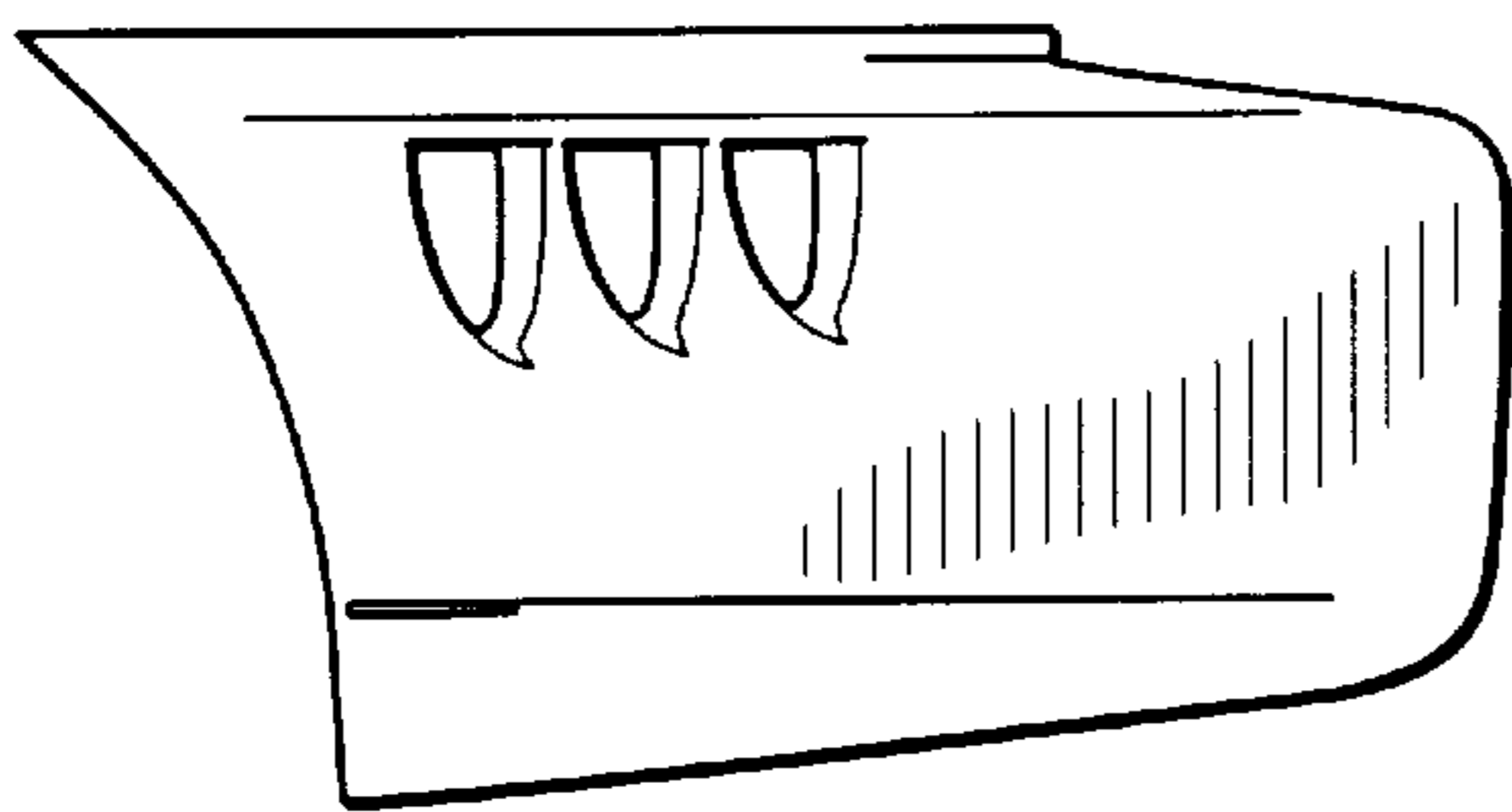


FIG. 6

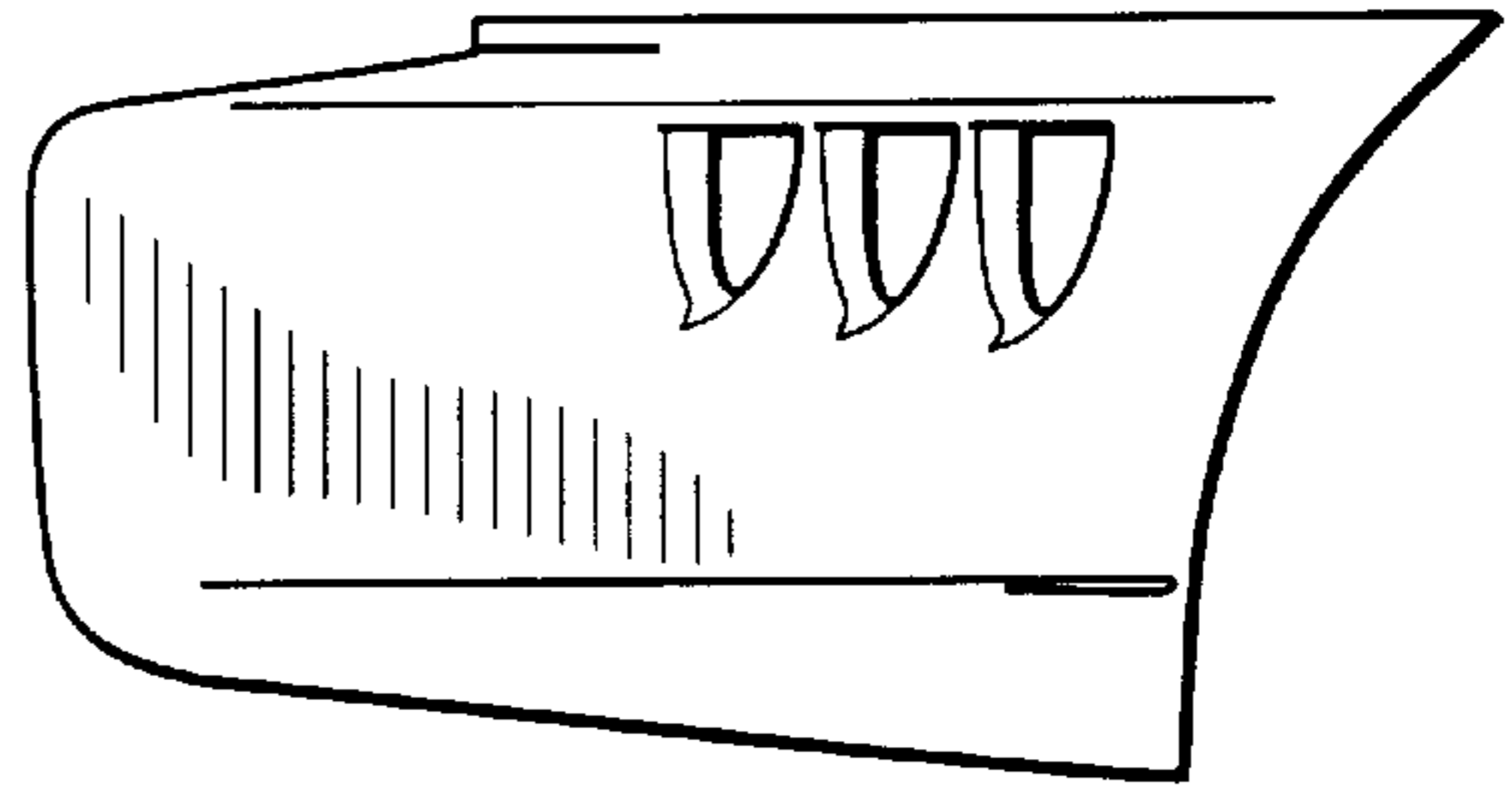


FIG. 7