



US00D424485S

United States Patent [19] Parker

[11] **Patent Number: Des. 424,485**

[45] **Date of Patent: ** May 9, 2000**

[54] **COVER FOR A TRAILER HITCH**

3,782,761 1/1974 Cardin, Sr. 280/507
4,040,641 8/1977 Riecke 280/507

[76] Inventor: **Samuel Parker**, 11115 Devall La.,
Baton Rouge, La. 70807

Primary Examiner—Doris V. Coles
Assistant Examiner—Stacia Sinuik
Attorney, Agent, or Firm—Keaty Professional Law
Corporation

[**] Term: **14 Years**

[21] Appl. No.: **29/106,926**

[57] **CLAIM**

[22] Filed: **Jun. 23, 1999**

The ornamental design for a cover for a trailer hitch, as shown and described.

[51] **LOC (7) Cl.** **12-16**

[52] **U.S. Cl.** **D12/162**

[58] **Field of Search** D12/162, 400;
D9/441, 451; D23/260; 138/89-89.2; 211/14;
280/495, 506, 507; 293/122

DESCRIPTION

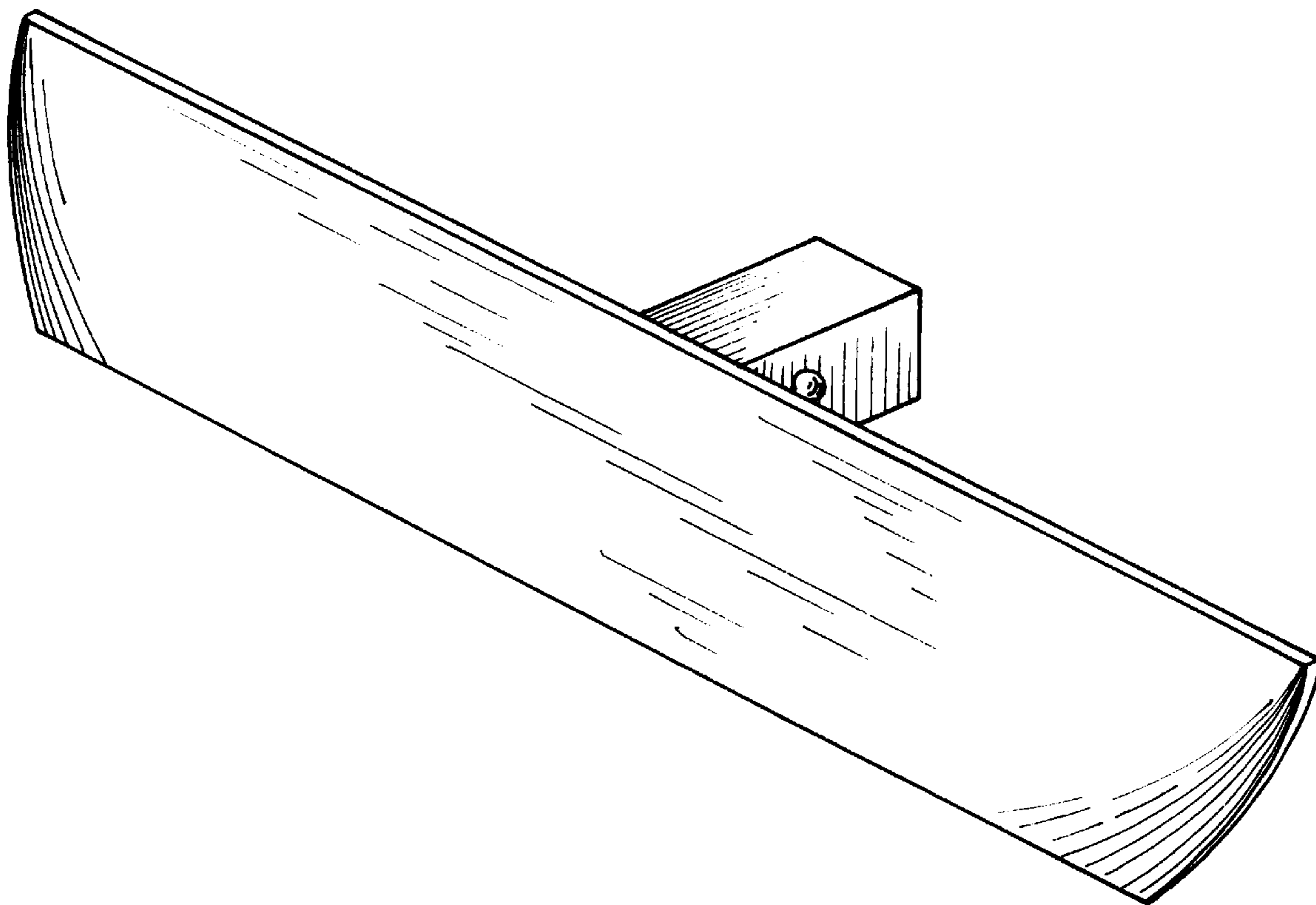
FIG. 1 is a perspective view of my new ornamental design for a cover for a trailer hitch;
FIG. 2 is a front view thereof;
FIG. 3 is a rear view thereof;
FIG. 4 is a top view thereof, the bottom view being a mirror image of FIG. 4 view; and,
FIG. 5 is a side view thereof. The opposite side view is a mirror image of the FIG. 5 view.

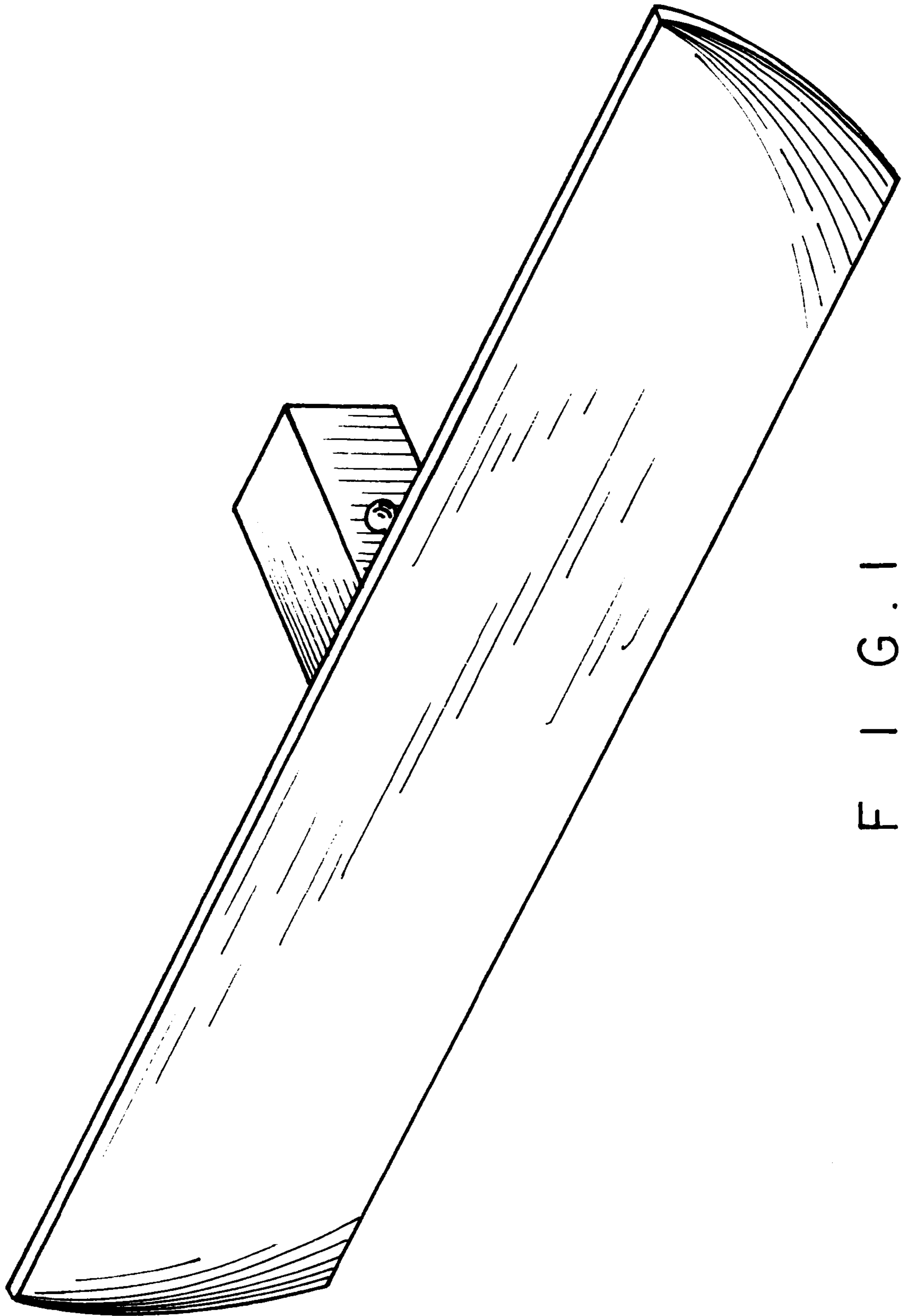
[56] **References Cited**

U.S. PATENT DOCUMENTS

D. 349,083	7/1994	Hall	D12/162
D. 368,059	3/1996	Barth	D12/162
D. 405,744	2/1999	Young et al.	D12/162
2,752,170	6/1956	Eversole	280/507

1 Claim, 3 Drawing Sheets





F I G . 1

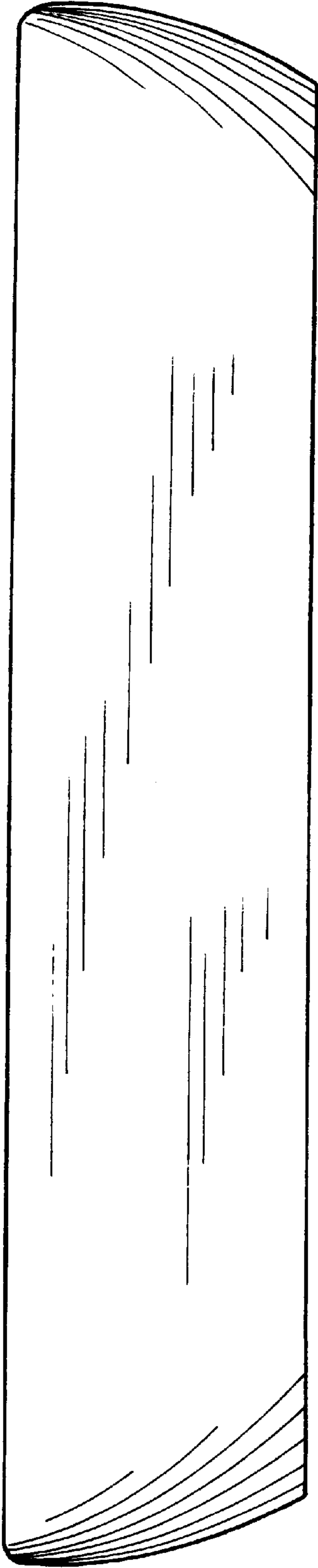


FIG. 2

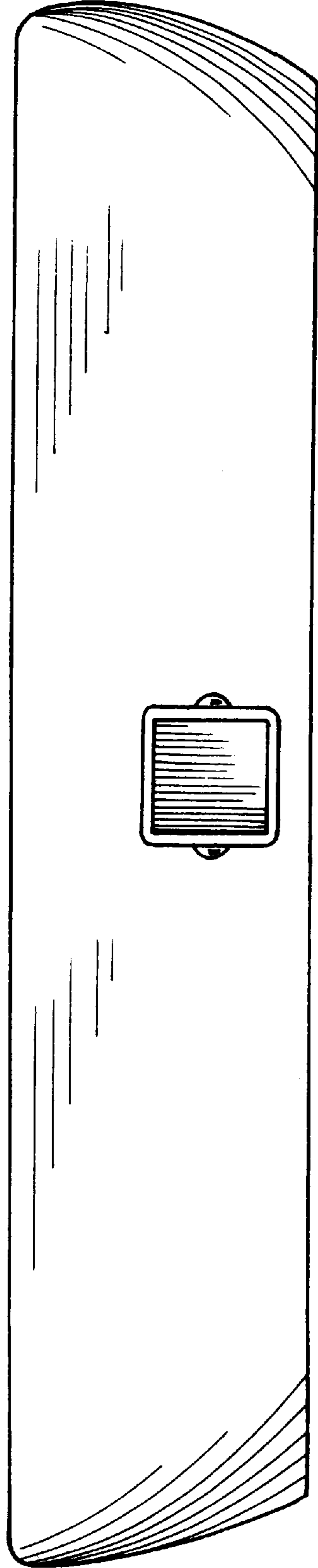


FIG. 3

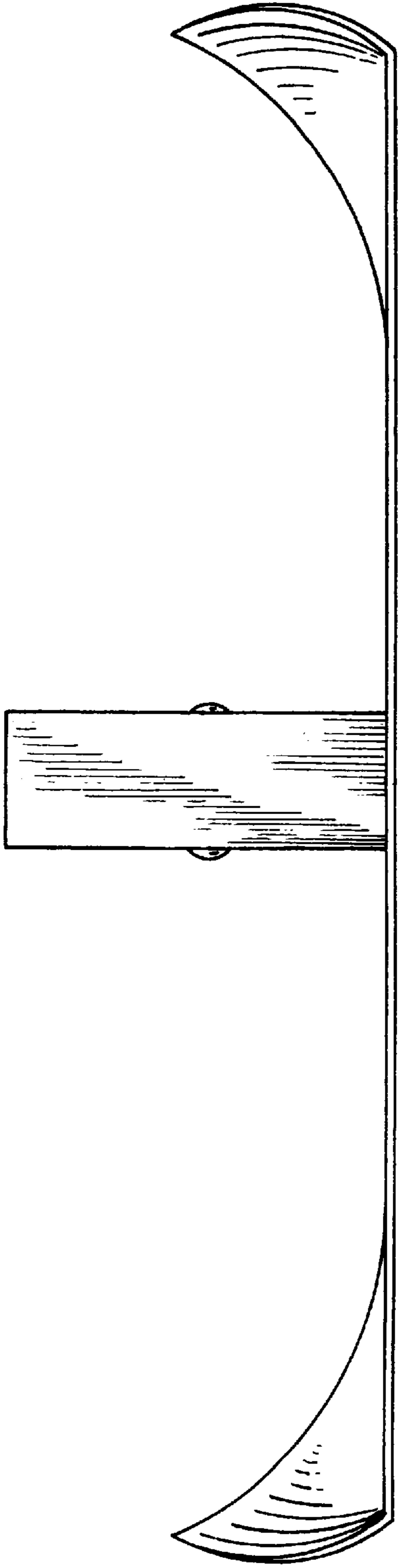


FIG. 4

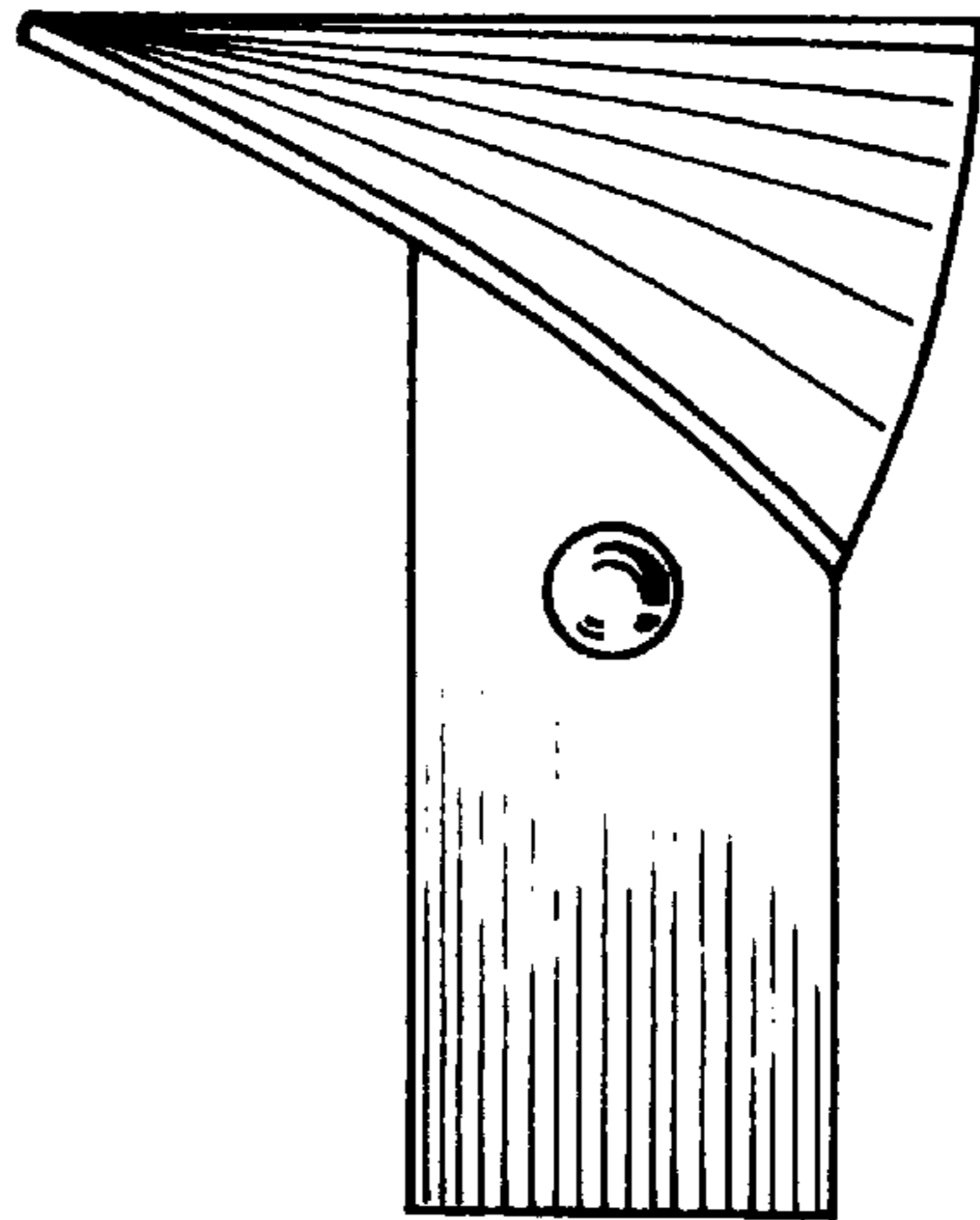


FIG. 5