



US00D424483S

United States Patent [19] Tripodi

[11] Patent Number: Des. 424,483

[45] Date of Patent: ** May 9, 2000

[54] UNIVERSAL STROLLER SHIELD

[76] Inventor: Julie Tripodi, 621 Cedar La., NW.,
New Philadelphia, Ohio 44663

[**] Term: 14 Years

[21] Appl. No.: 29/108,803

[22] Filed: Aug. 3, 1999

[51] LOC (7) Cl. 12-12

[52] U.S. Cl. D12/133; D12/129

[58] Field of Search D12/128-133;
296/77.1, 111, 136; 135/88, 106

[56] **References Cited**

U.S. PATENT DOCUMENTS

D. 72,500	4/1927	Shaw .	
D. 308,656	6/1990	Takahashi et al.	D12/129
778,330	12/1904	Pond .	
1,289,965	12/1918	Tichenor .	
1,770,841	7/1930	Clyman .	
4,582,355	4/1986	Hall	296/77.1
5,110,174	5/1992	Andree	296/77.1
5,184,865	2/1993	Mohtasham et al.	296/77.1
5,188,380	2/1993	Tucek	280/30
5,652,960	8/1997	Kaknevicus	2/104
5,758,889	6/1998	Ledakis	280/47.38

Primary Examiner—Kay H. Chin

Attorney, Agent, or Firm—Sand & Sebolt

[57] **CLAIM**

The ornamental design for a universal stroller shield, as shown and described.

DESCRIPTION

FIG. 1 is a perspective view of a universal stroller shield showing my new design with the universal stroller shield mounted on a stroller shown in dashed lines, the stroller not being part of the present invention;

FIG. 2 is a top plan view of the universal stroller shield of FIG. 1;

FIG. 3 is a right side elevational view of FIG. 2, the left side being a mirror image thereof;

FIG. 4 is a front elevational view of FIG. 2;

FIG. 5 is a bottom plan view of FIG. 2;

FIG. 6 is a perspective view of a universal stroller shield showing a modified design with the universal stroller shield mounted on a stroller shown in dashed lines, the stroller not forming a part of the present invention;

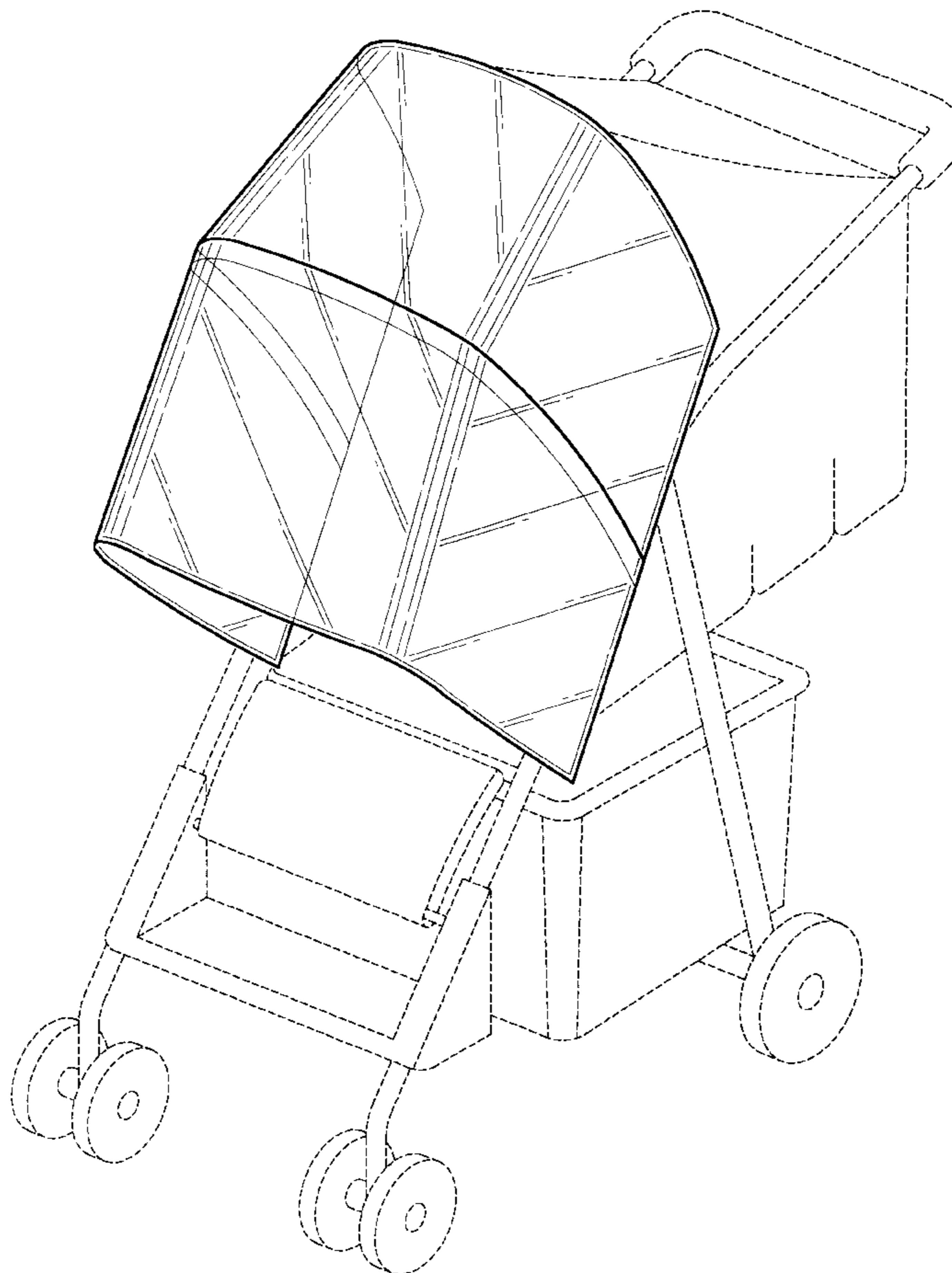
FIG. 7 is a top plan view of the universal stroller shield of FIG. 6;

FIG. 8 is a right side elevational view of FIG. 7, the left side being a mirror image thereof;

FIG. 9 is a front elevational view of FIG. 7; and,

FIG. 10 is a bottom plan view of FIG. 7.

1 Claim, 4 Drawing Sheets



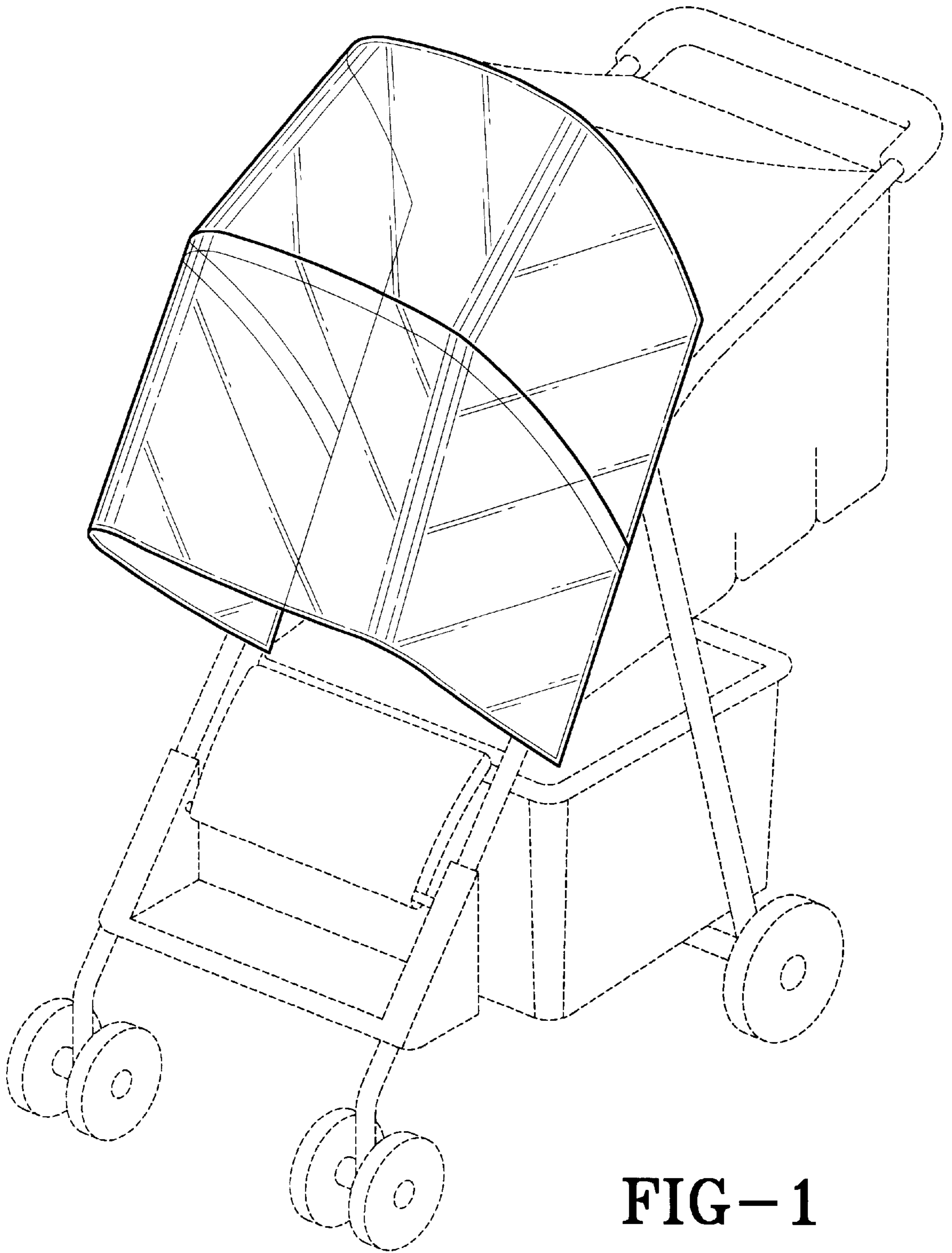


FIG-1

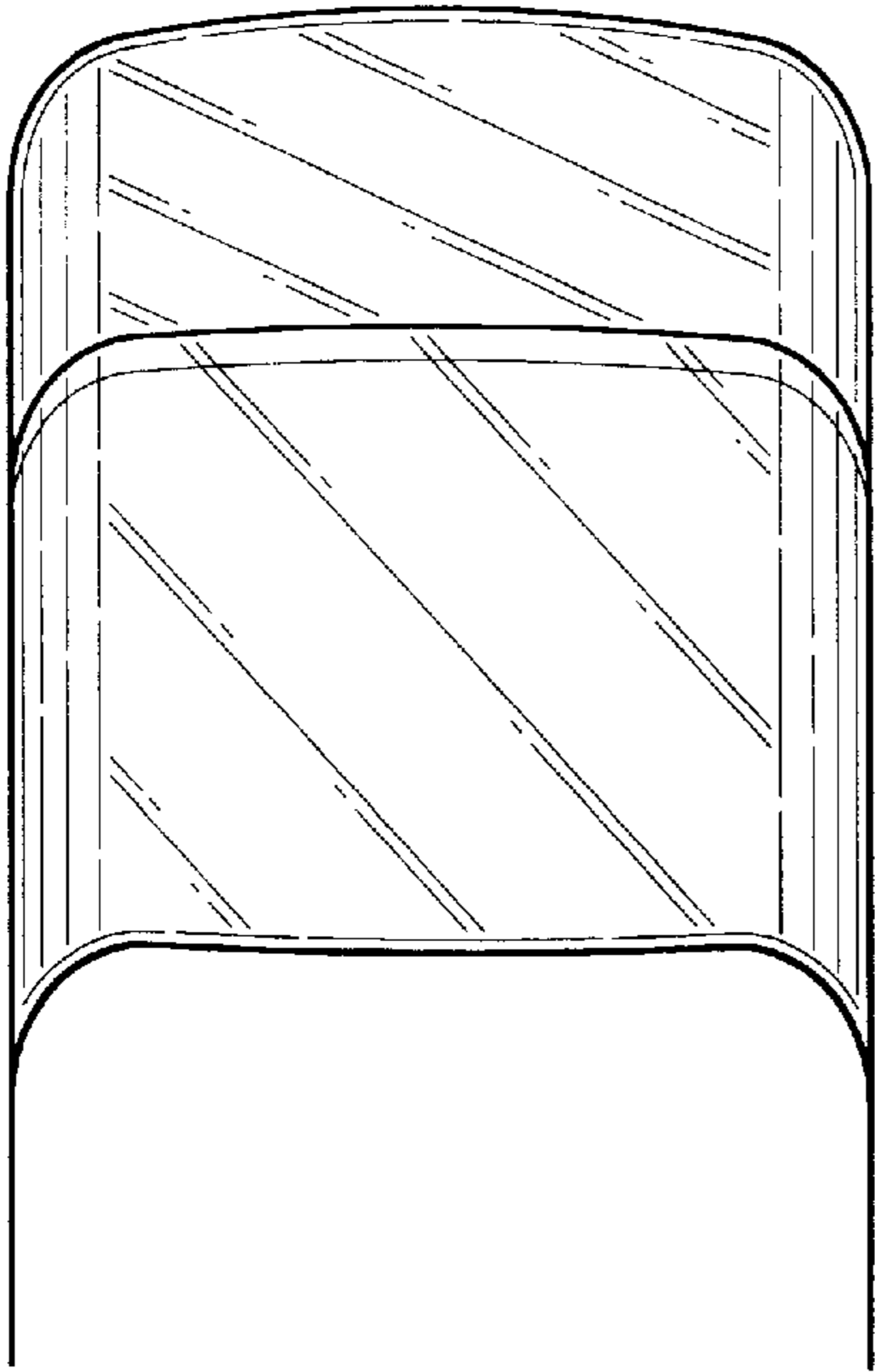


FIG-2

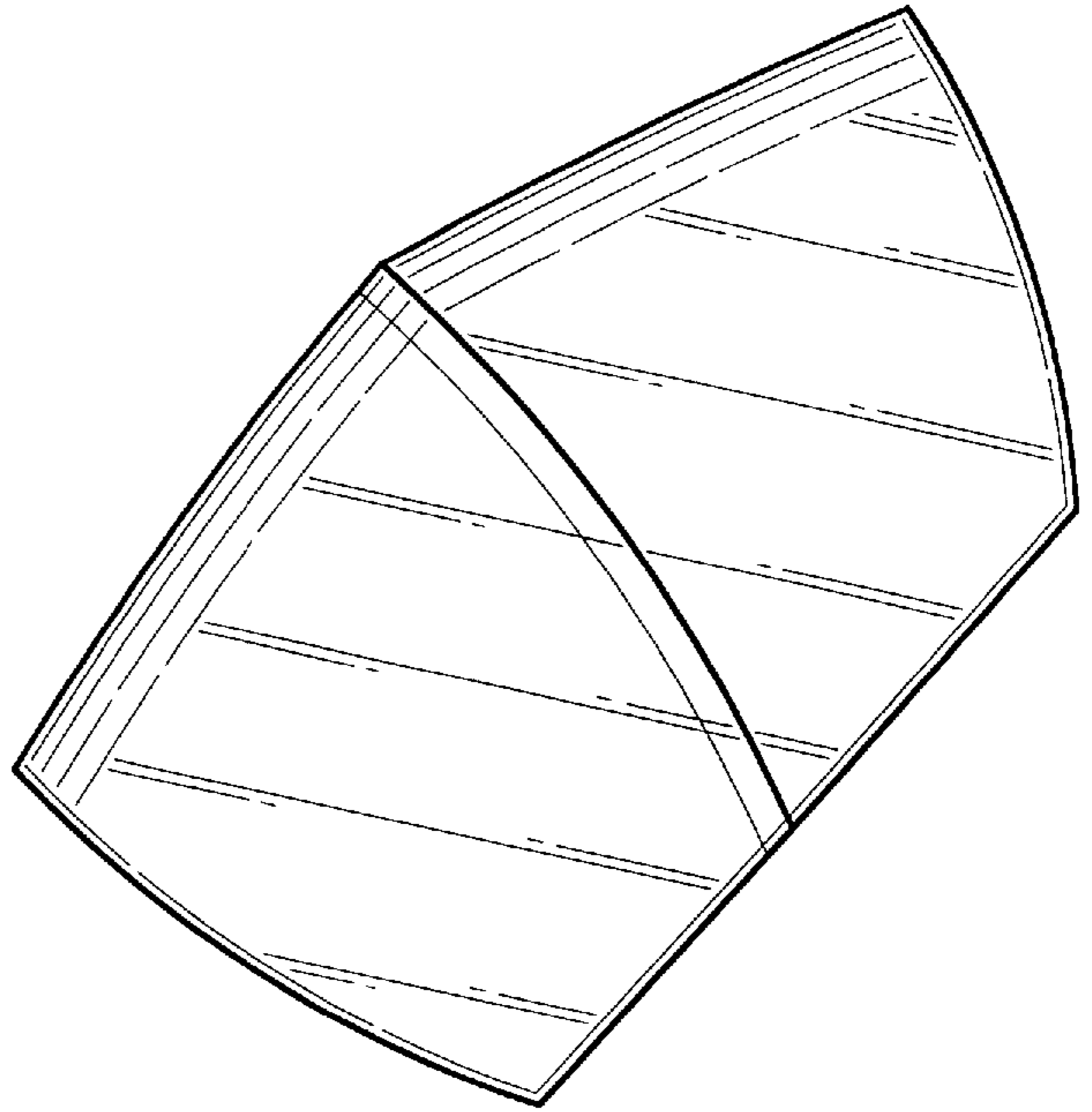


FIG-3

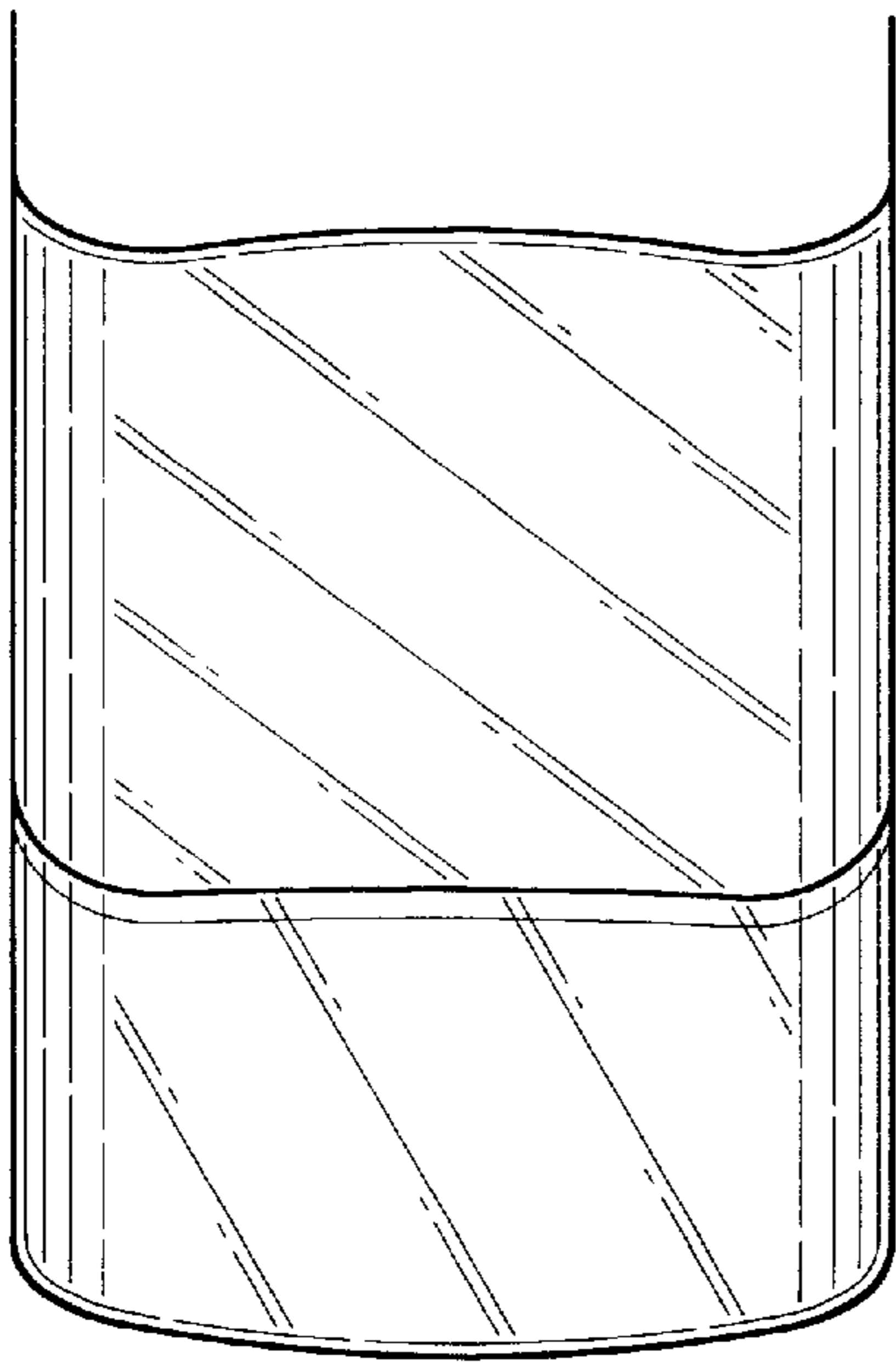


FIG-4

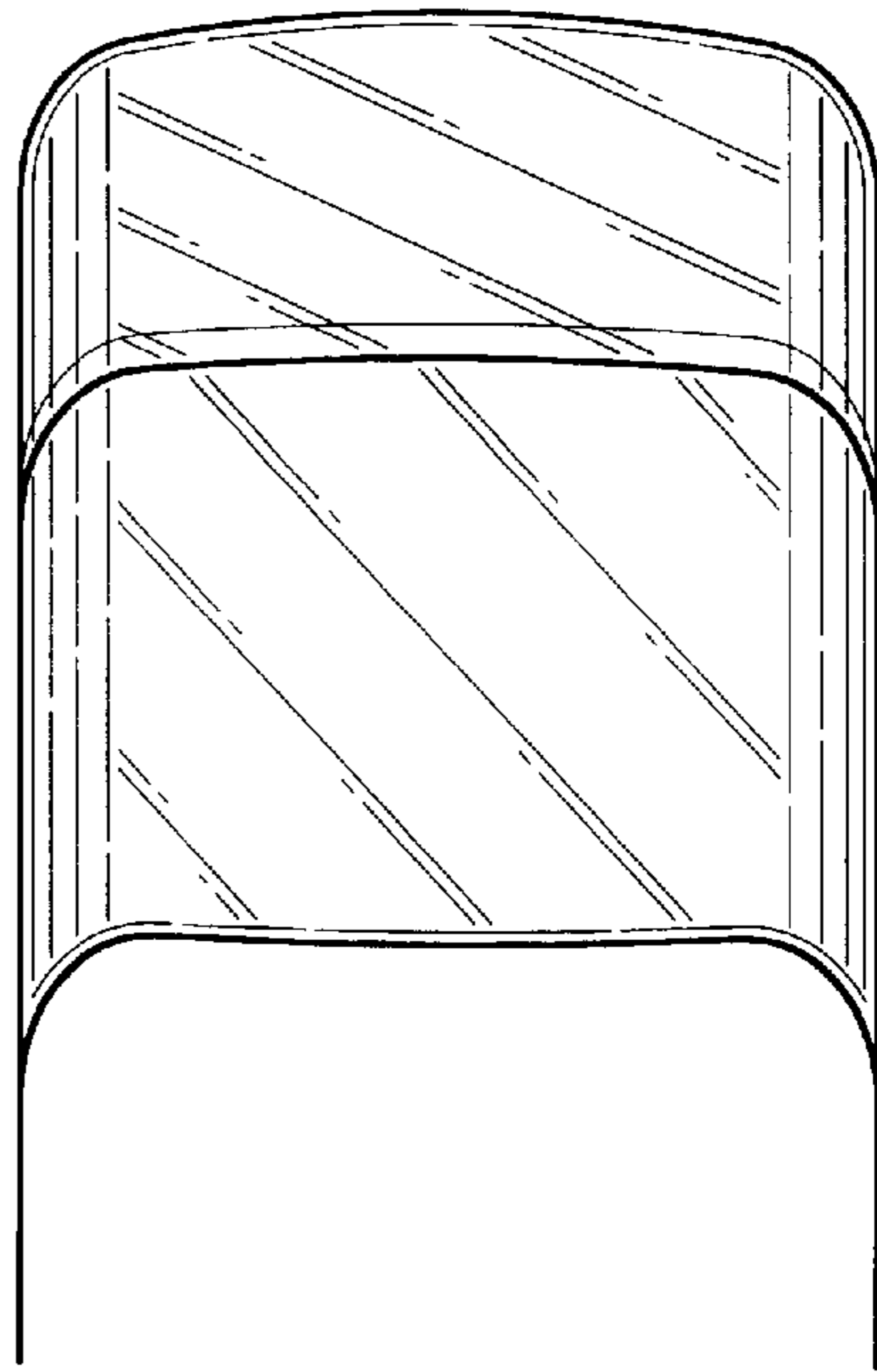


FIG-5

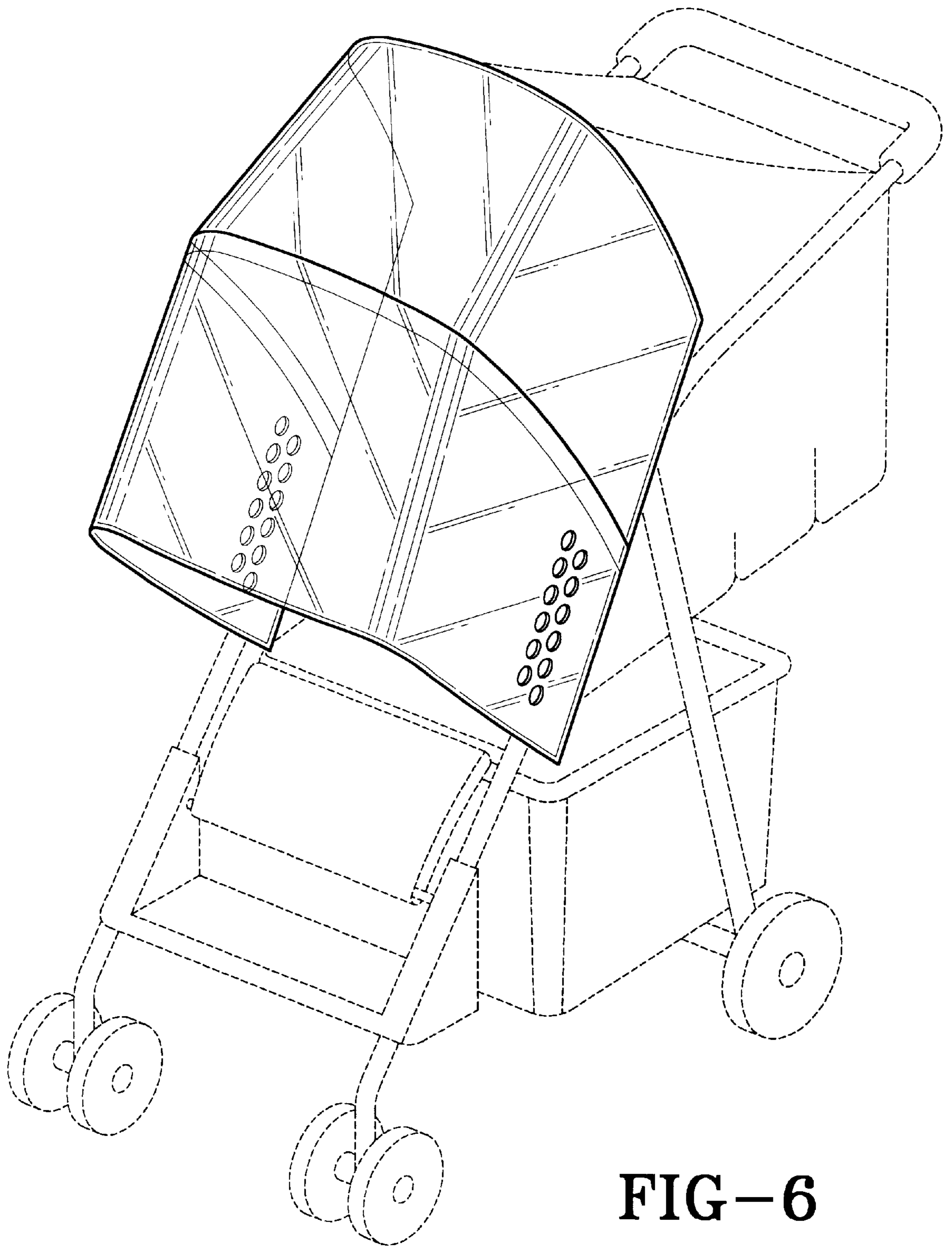


FIG-6

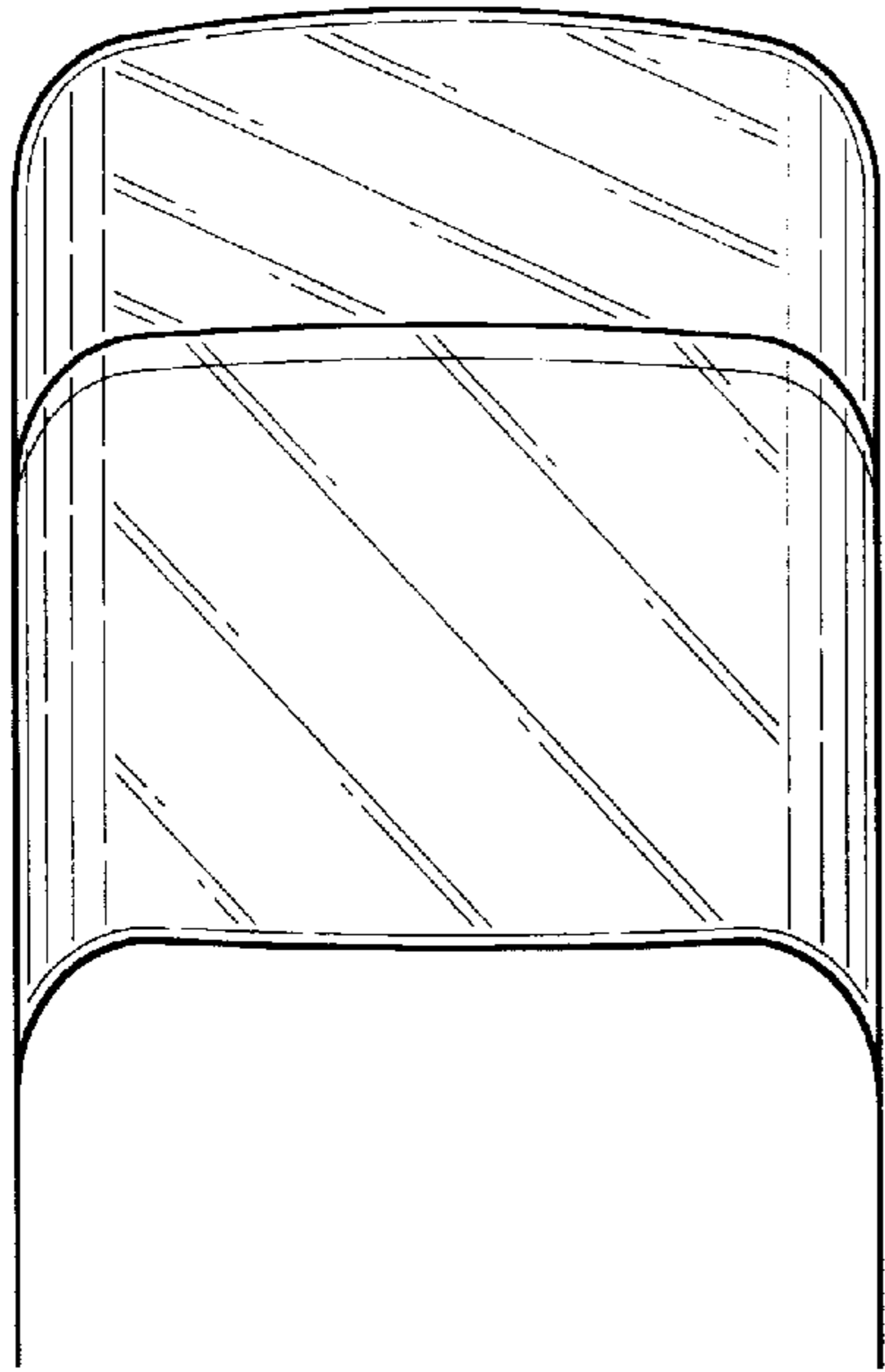


FIG-7

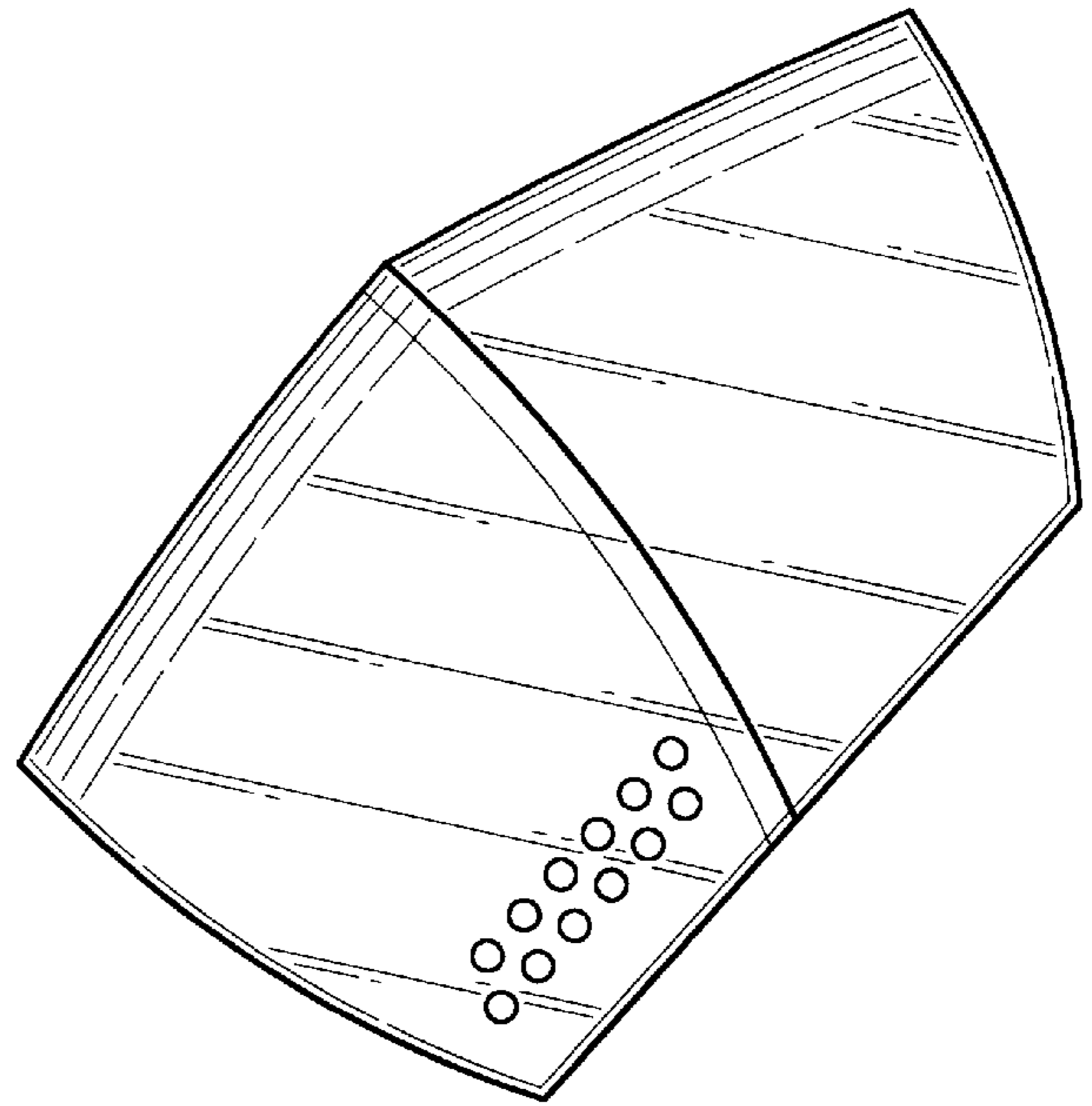


FIG-8

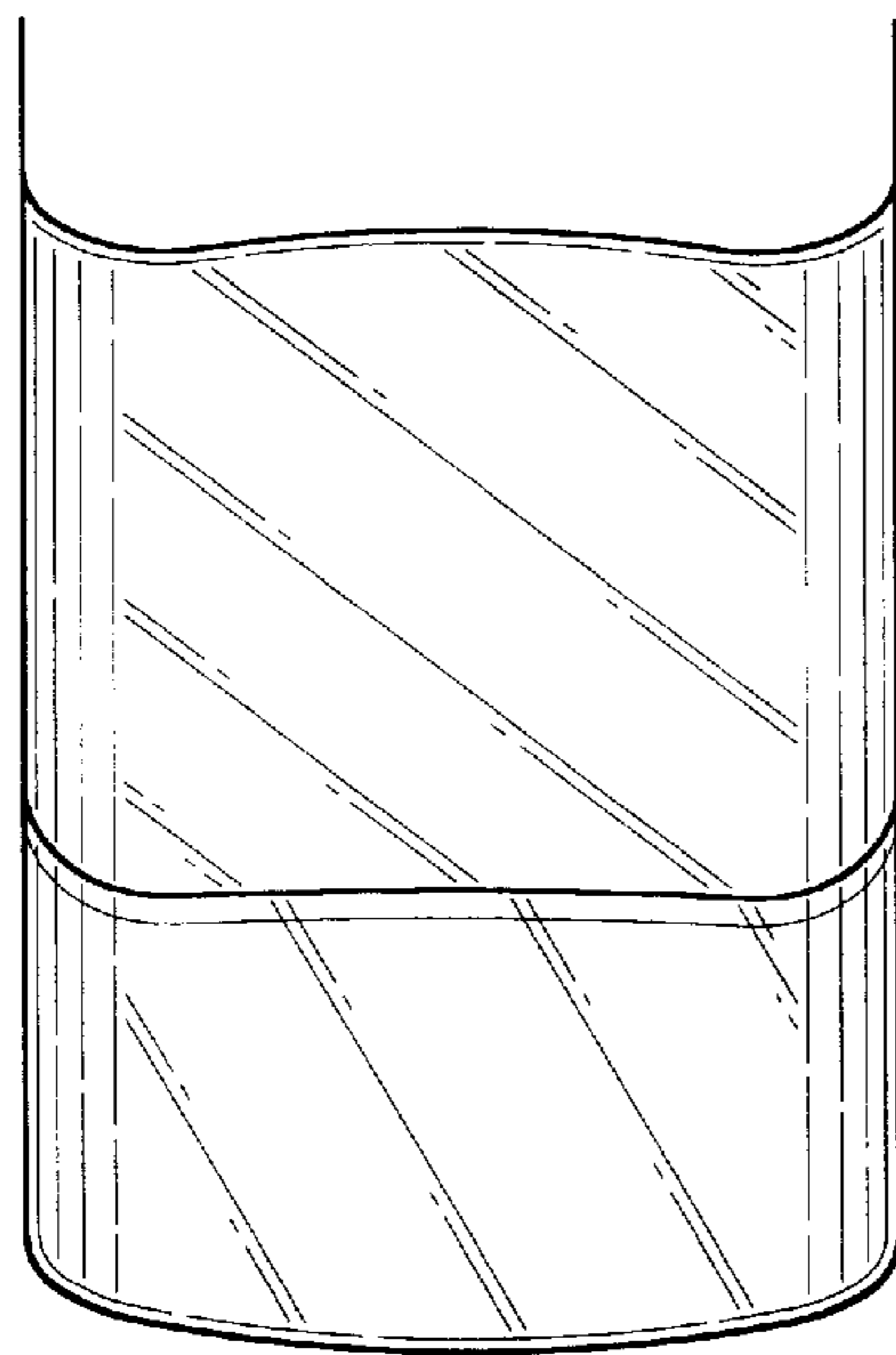


FIG-9

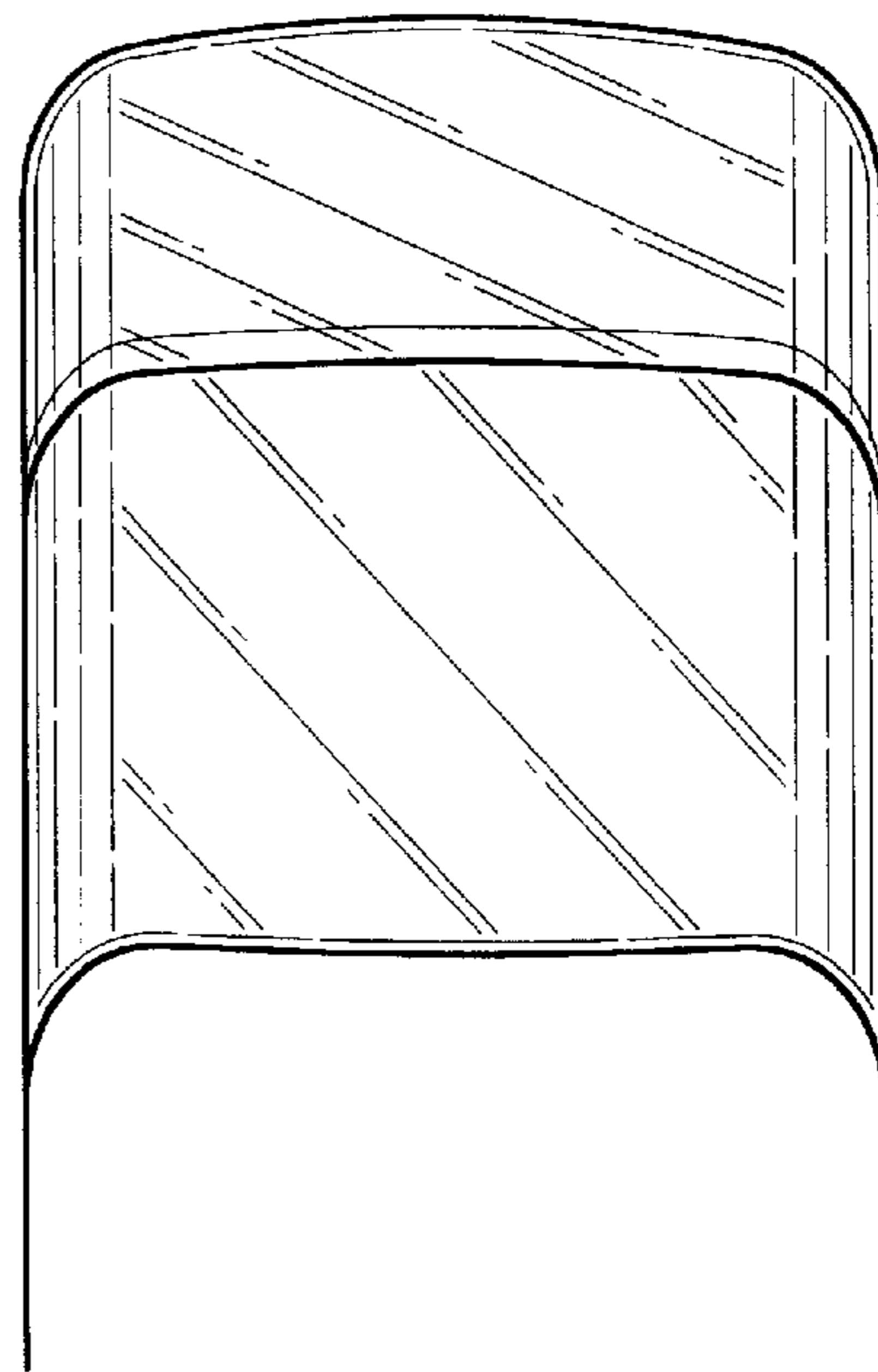


FIG-10