



US00D424481S

# United States Patent [19]

[11] **Patent Number: Des. 424,481**

**Soller et al.**

[45] **Date of Patent: \*\* \*May 9, 2000**

[54] **FAIRING FOR A STROLLER**

[75] Inventors: **Douglas A. Soller**, East Aurora;  
**Kenneth P. Morton**, Orchard Park,  
both of N.Y.

[73] Assignee: **Fisher-Price, Inc.**, East Aurora, N.Y.

[\*] Notice: This patent is subject to a terminal disclaimer.

[\*\*] Term: **14 Years**

[21] Appl. No.: **29/042,827**

[22] Filed: **Aug. 18, 1995**

[51] **LOC (7) Cl.** ..... **12-12**

[52] **U.S. Cl.** ..... **D12/133**

[58] **Field of Search** ..... D12/133, 129,  
D12/128; 280/650, 658, 62, 36, 47, 38,  
42

[56] **References Cited**

**U.S. PATENT DOCUMENTS**

D. 364,131 11/1995 Eichhorn et al. .... D12/129

*Primary Examiner*—Kay H. Chin  
*Attorney, Agent, or Firm*—Morgan, Lewis & Bockius LLP;  
C. Scott Talbot

[57] **CLAIM**

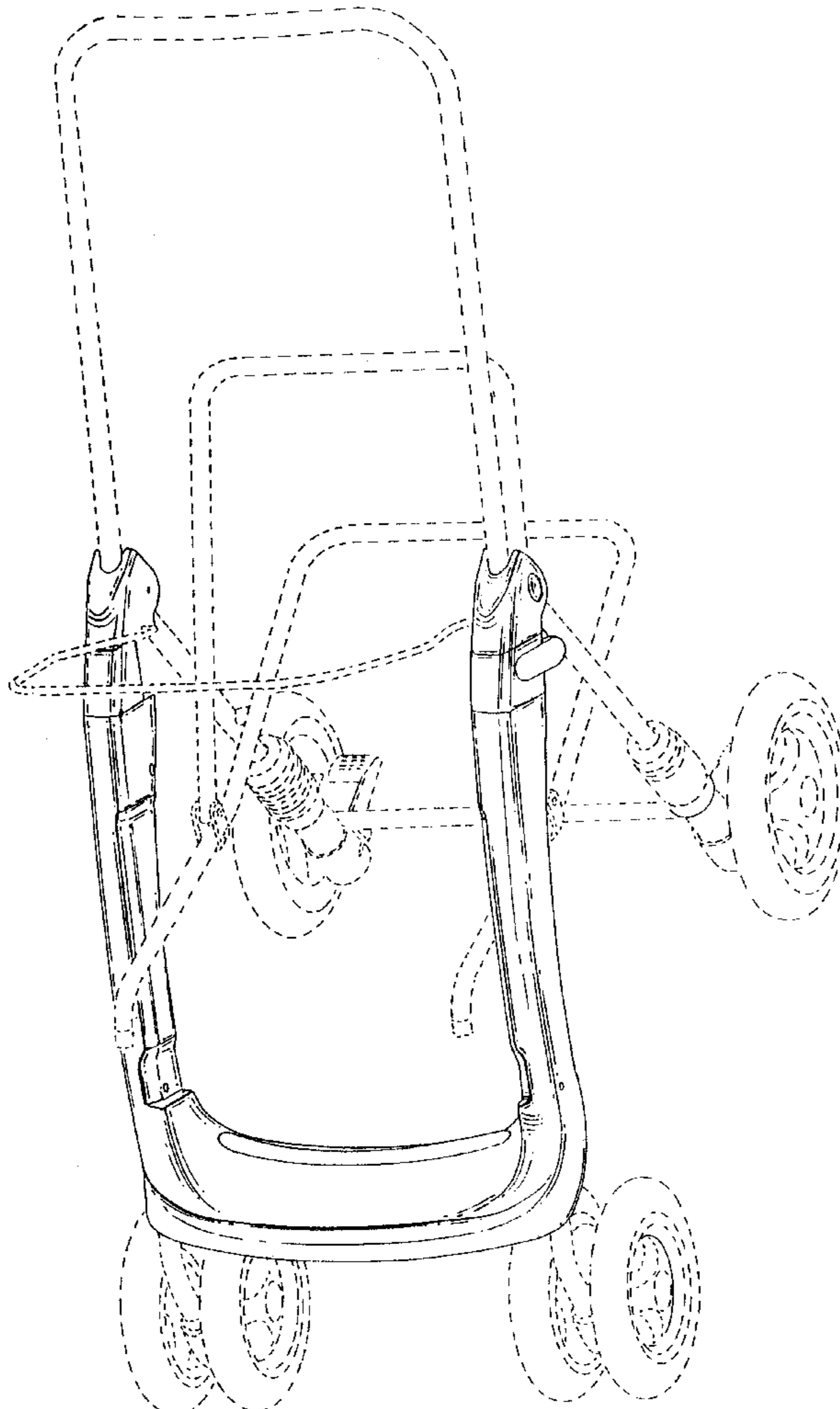
The ornamental design for a fairing for a stroller, as shown and described.

**DESCRIPTION**

FIG. 1 is a top right perspective view of a fairing for a stroller show our new design;  
FIG. 2 is a front elevation view thereof;  
FIG. 3 is a rear elevation view thereof;  
FIG. 4 is a left side elevation view thereof;  
FIG. 5 is a right side elevation view thereof;  
FIG. 6 is a top plan view perpendicular to the plane of the fairing shown; and,  
FIG. 7 is a bottom plan view perpendicular to the plane of the fairing.

The stroller frame shows in broken line illustrates the environment for the fairing and is not part of the claimed design.

**1 Claim, 6 Drawing Sheets**



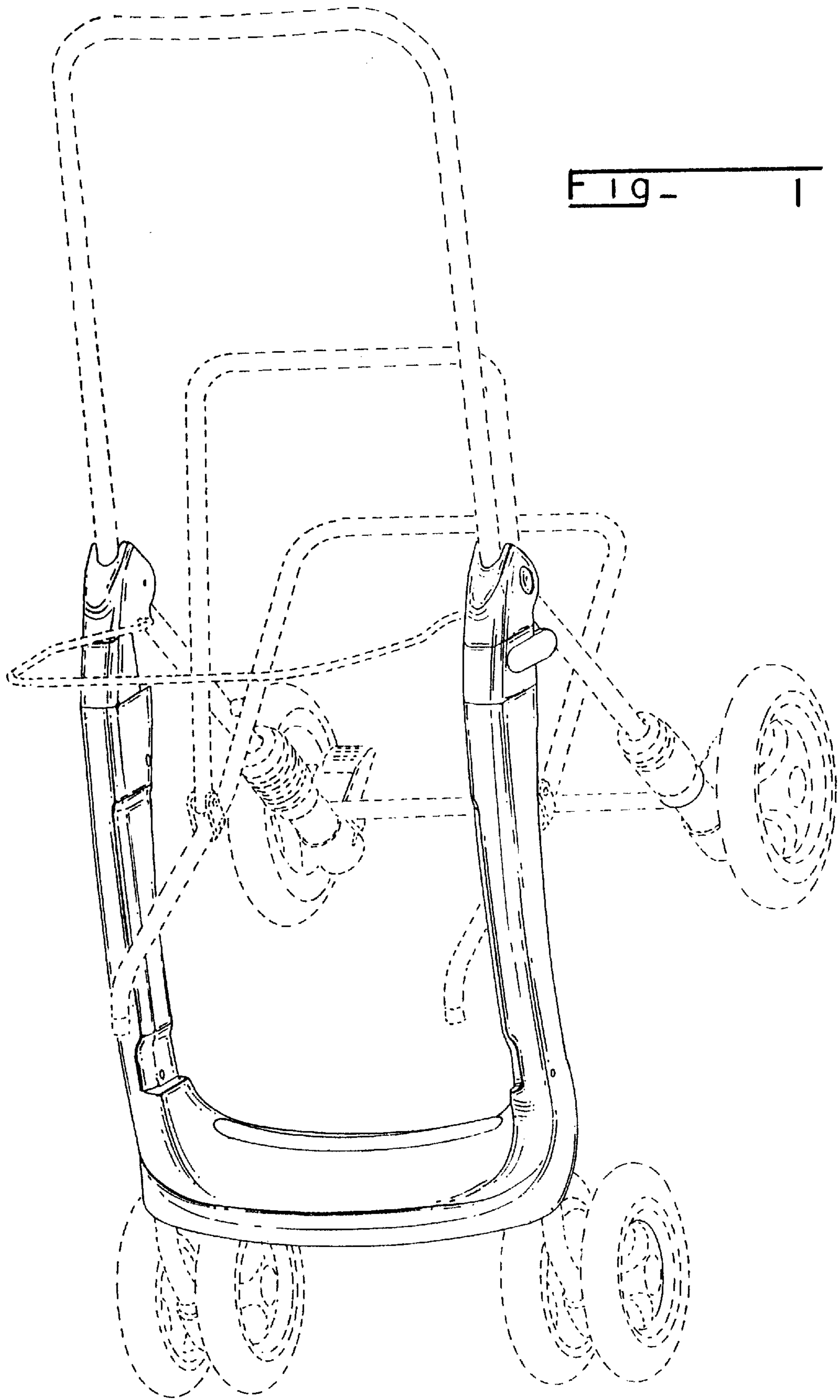


FIG - 1

Fig - 2

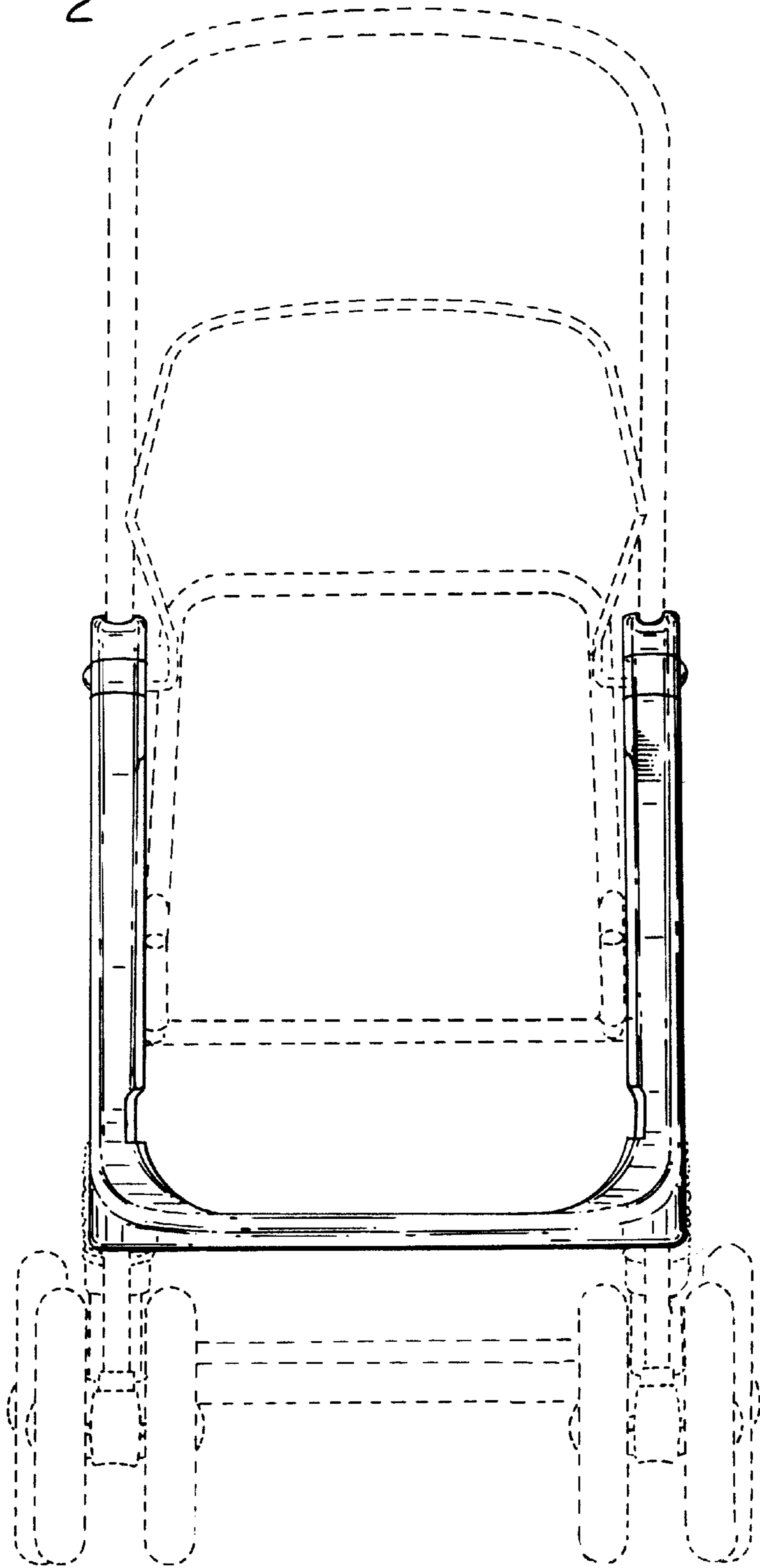


Fig - 3

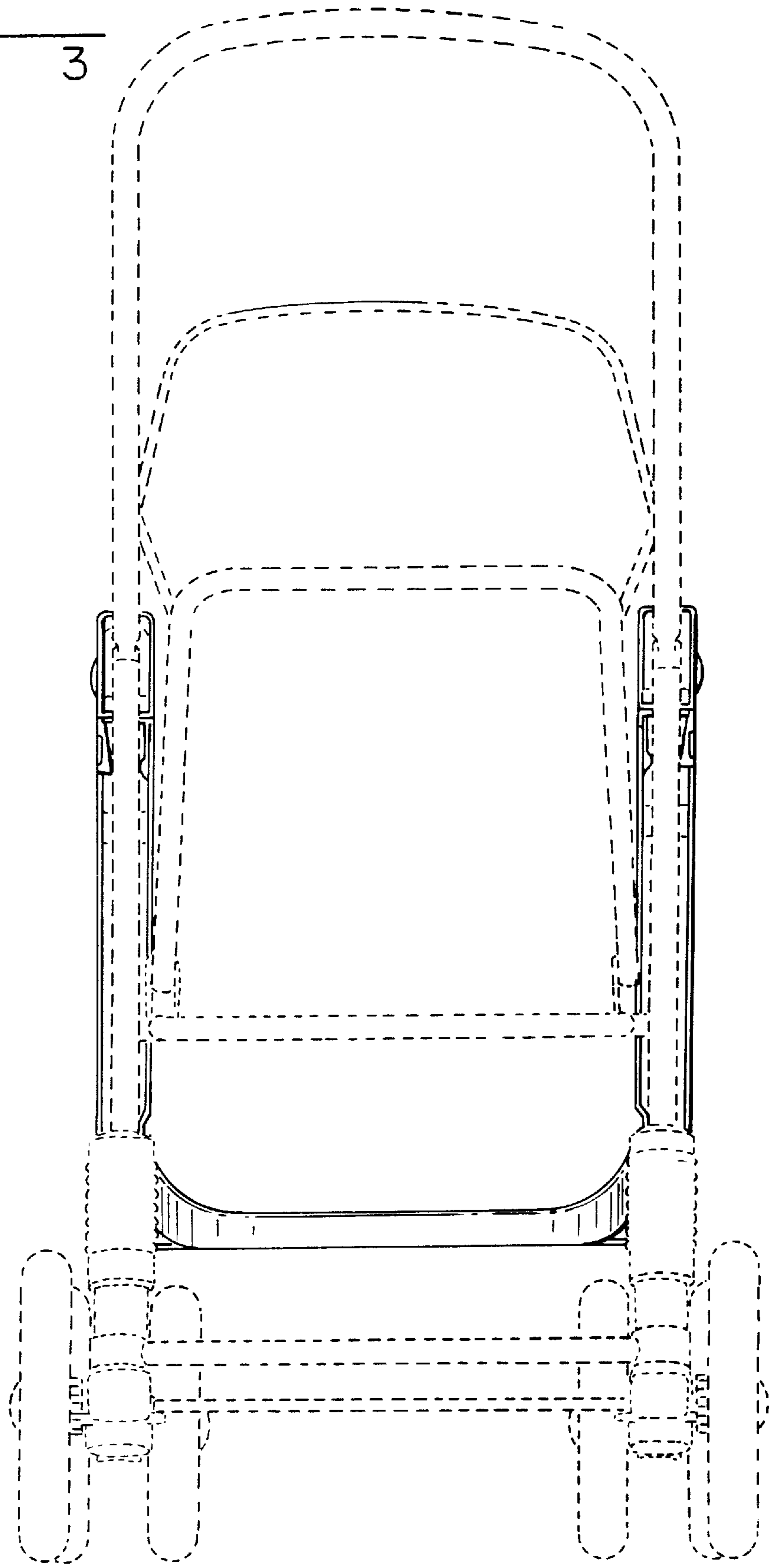


FIG - 4

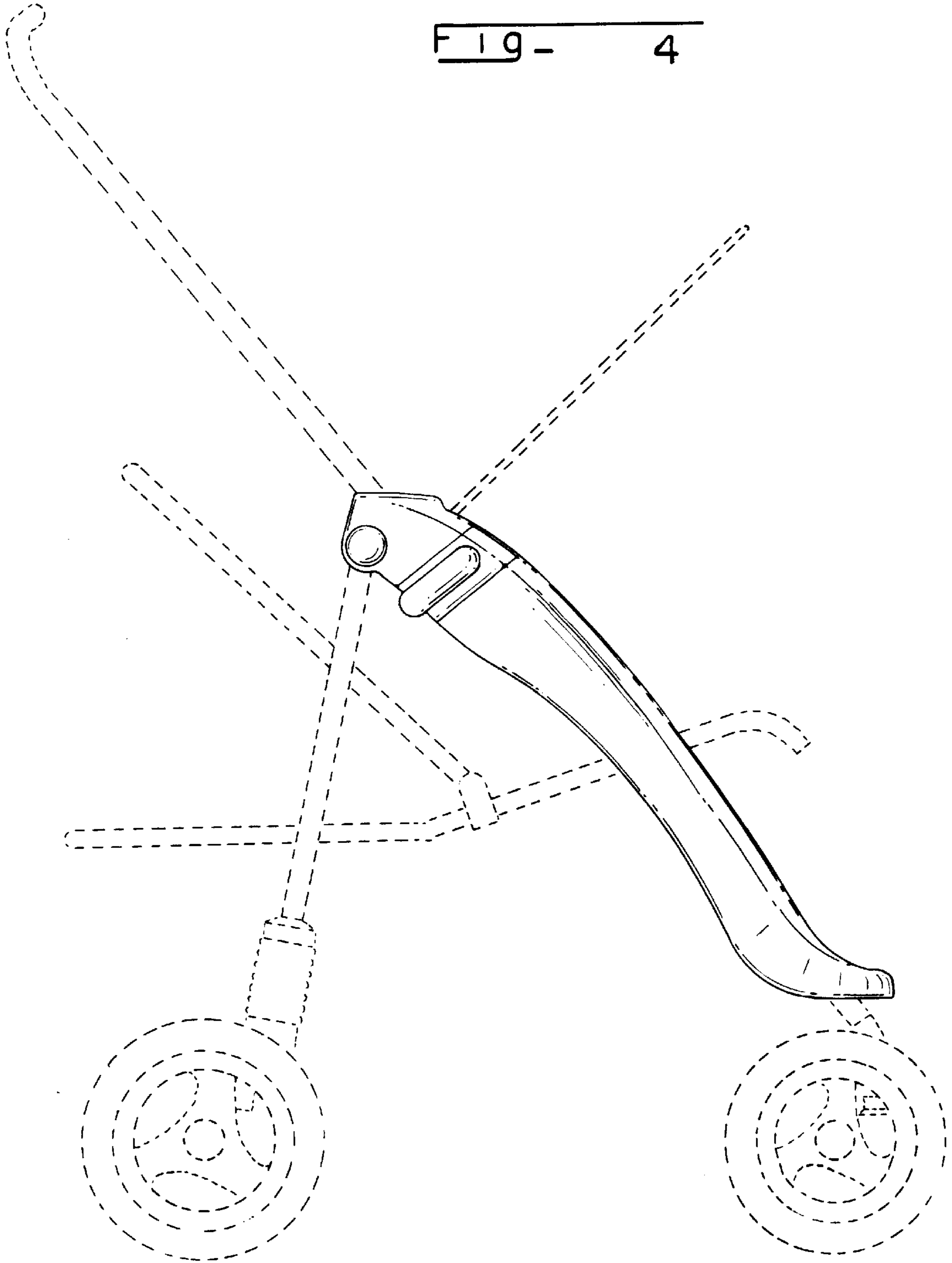
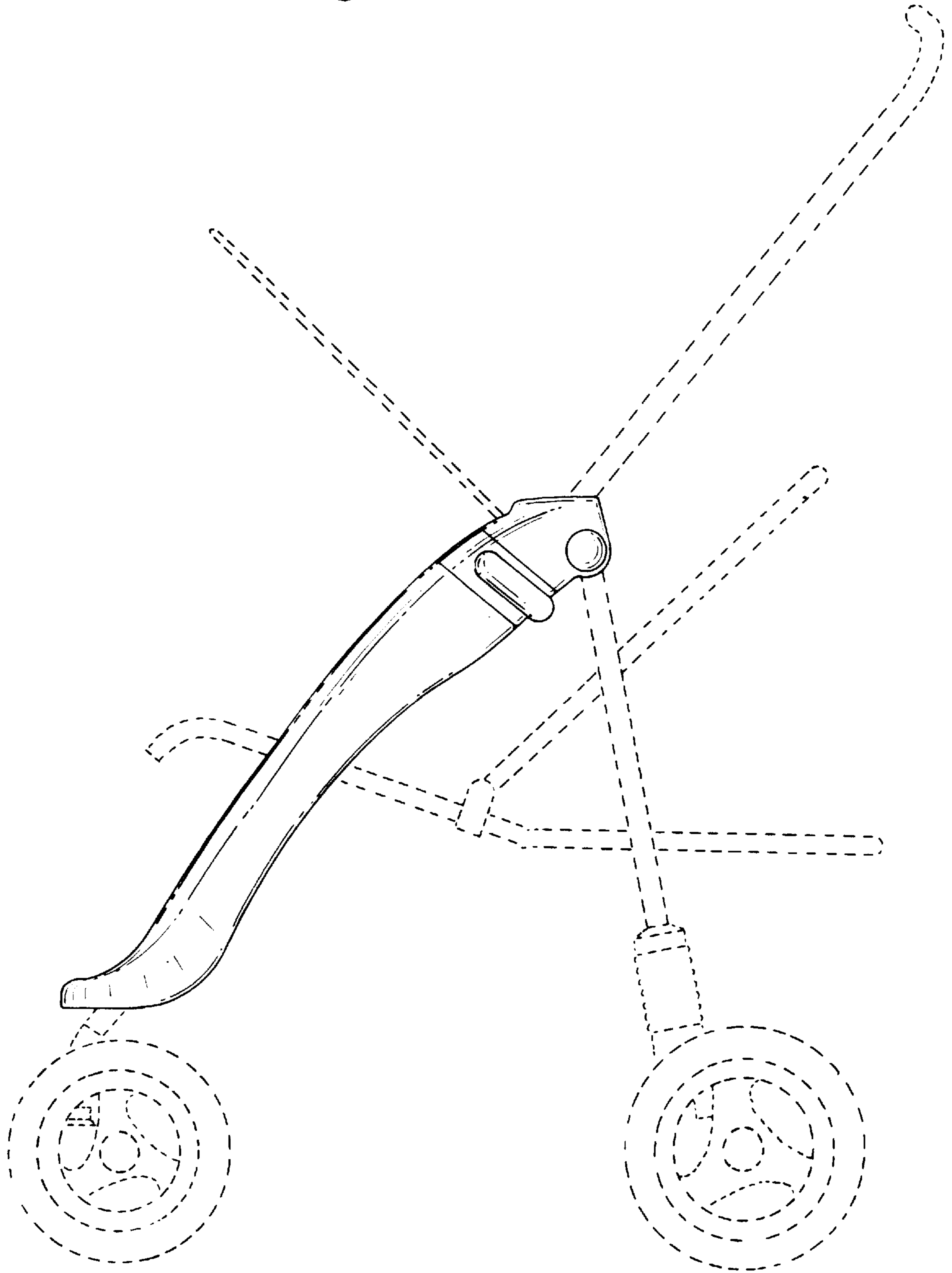


FIG - 5



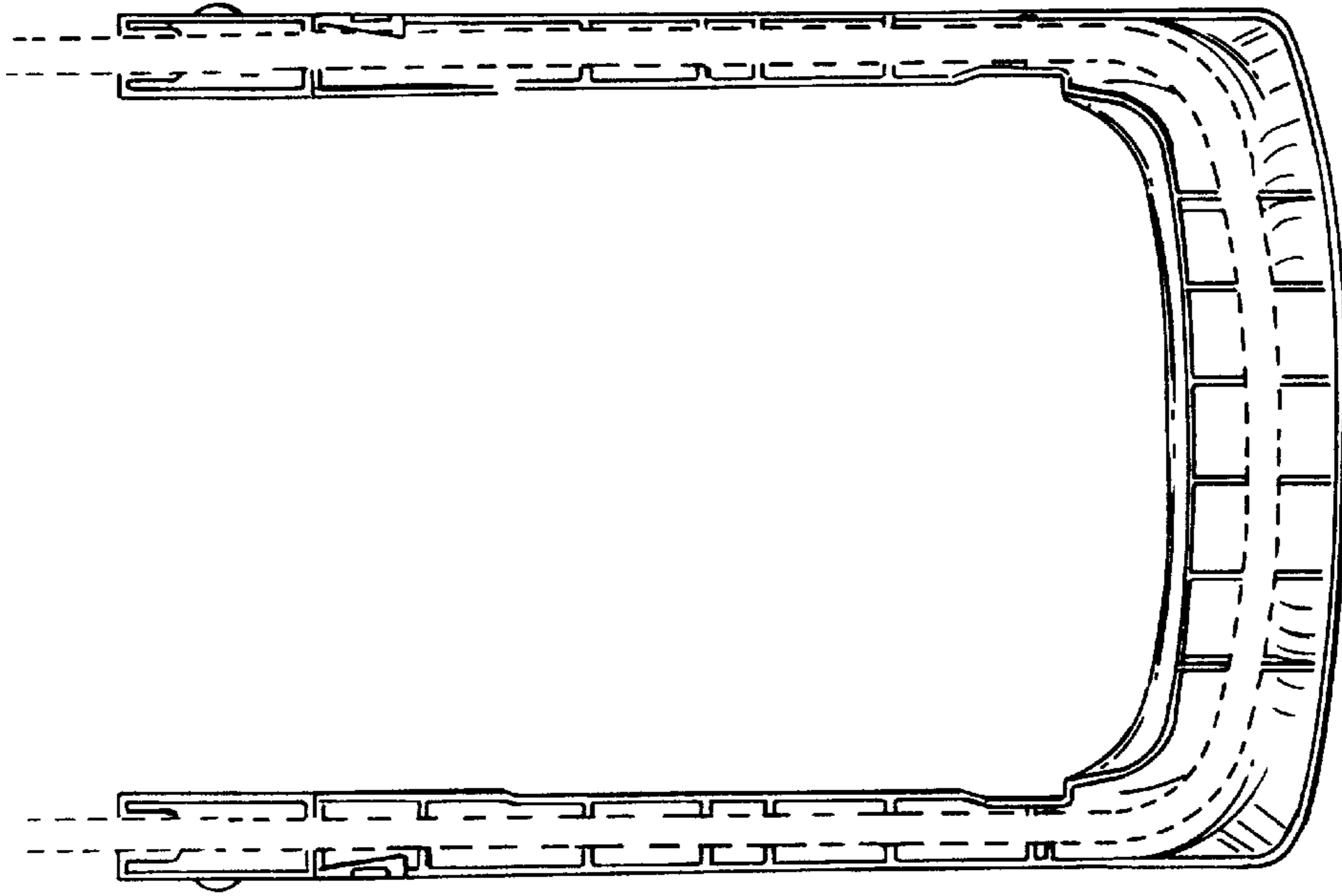


FIG- 7

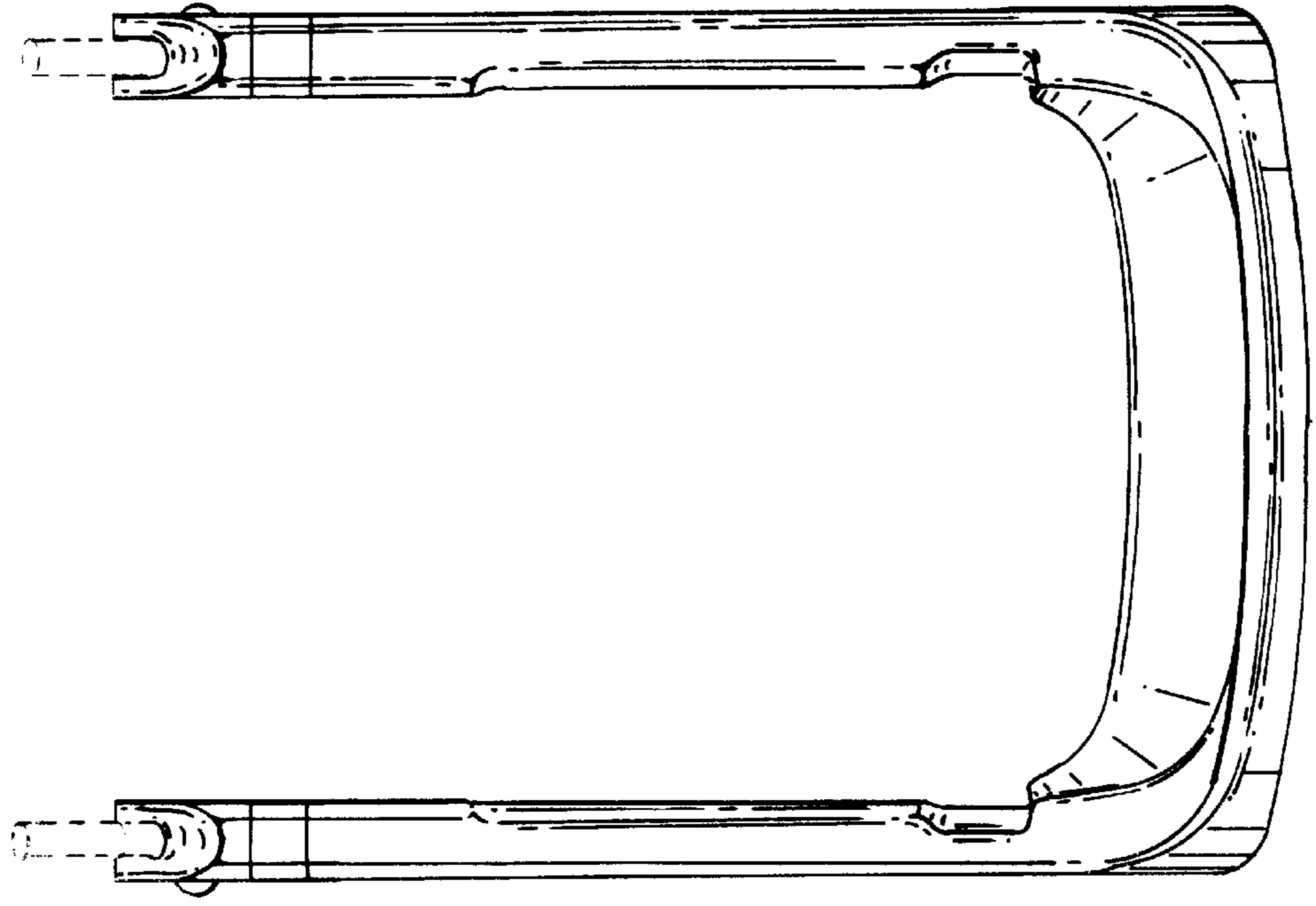


FIG- 6