



US00D424480S

**United States Patent** [19]  
**Ricci**

[11] **Patent Number: Des. 424,480**

[45] **Date of Patent: \*\* May 9, 2000**

[54] **ROTOR COVER FOR MOTORCYCLES**

[76] Inventor: **Leo Ricci**, 138 E. Colfax Ave., Roselle Park, N.J. 07204

[\*\*] Term: **14 Years**

[21] Appl. No.: **29/097,945**

[22] Filed: **Dec. 18, 1998**

[51] **LOC (7) Cl.** ..... **12-11**

[52] **U.S. Cl.** ..... **D12/126**

[58] **Field of Search** ..... D12/110, 114,  
D12/126; 180/219; 280/288.4

[56] **References Cited**

**U.S. PATENT DOCUMENTS**

D. 281,912 12/1985 Rudd ..... D12/114  
D. 290,102 6/1987 Stahel ..... D12/126

**OTHER PUBLICATIONS**

Drag Specialties, rotor cover Nos. D-720050, DS-720051, DS-720105, and DS-720057, p. 419, 1995.

*Primary Examiner*—Alan P. Douglas  
*Assistant Examiner*—Linda Brooks  
*Attorney, Agent, or Firm*—Ezra Sutton

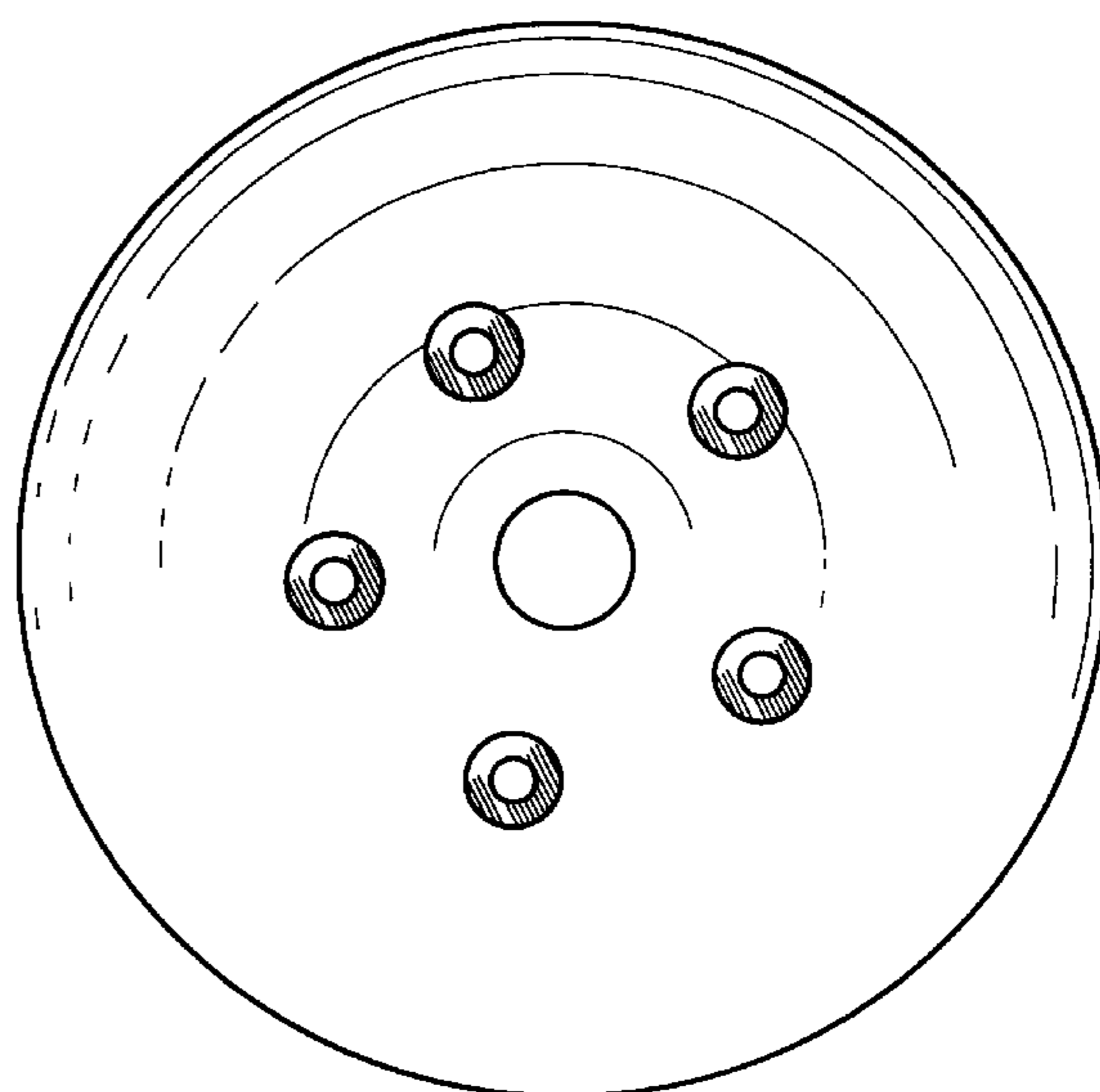
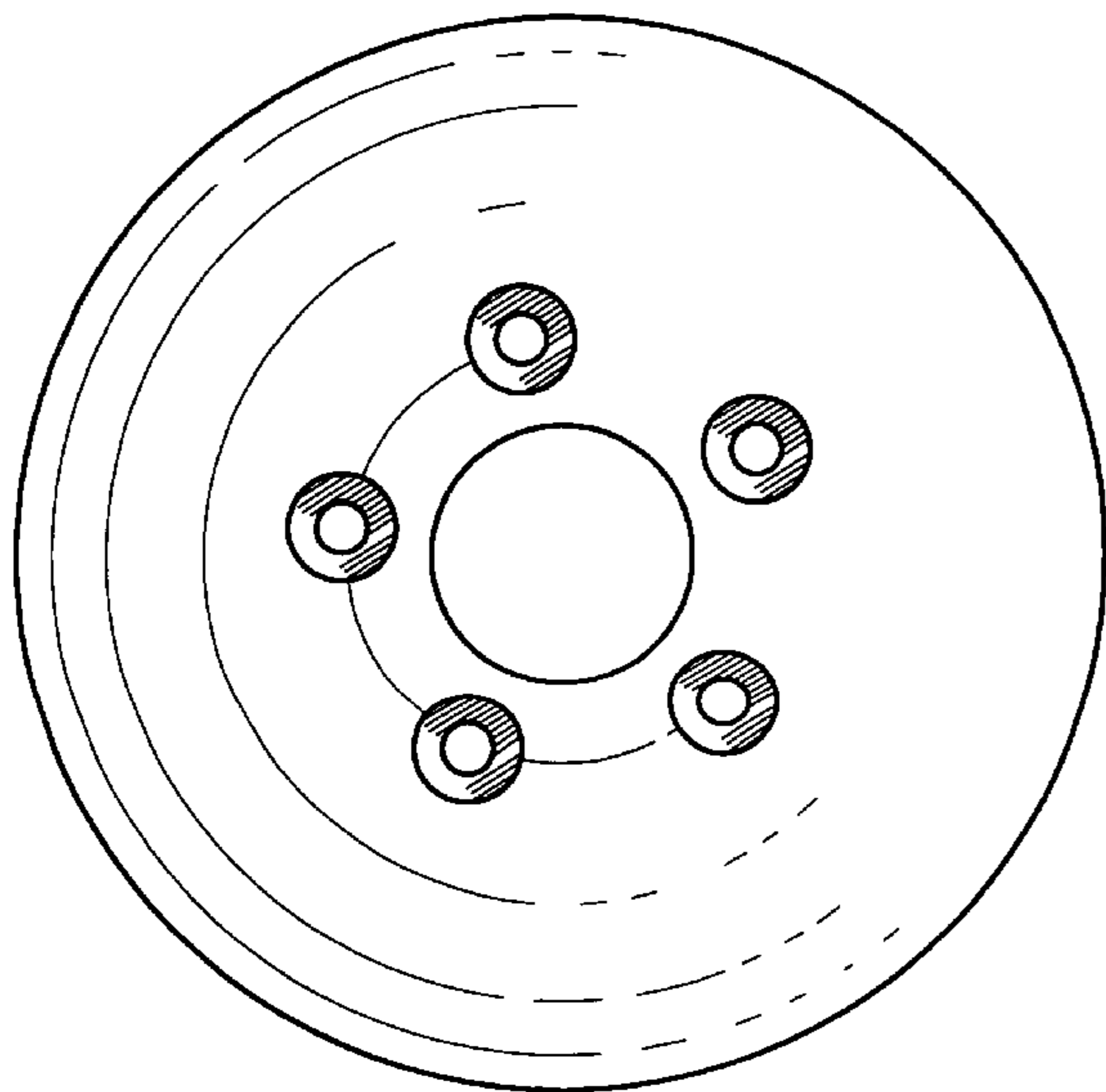
[57] **CLAIM**

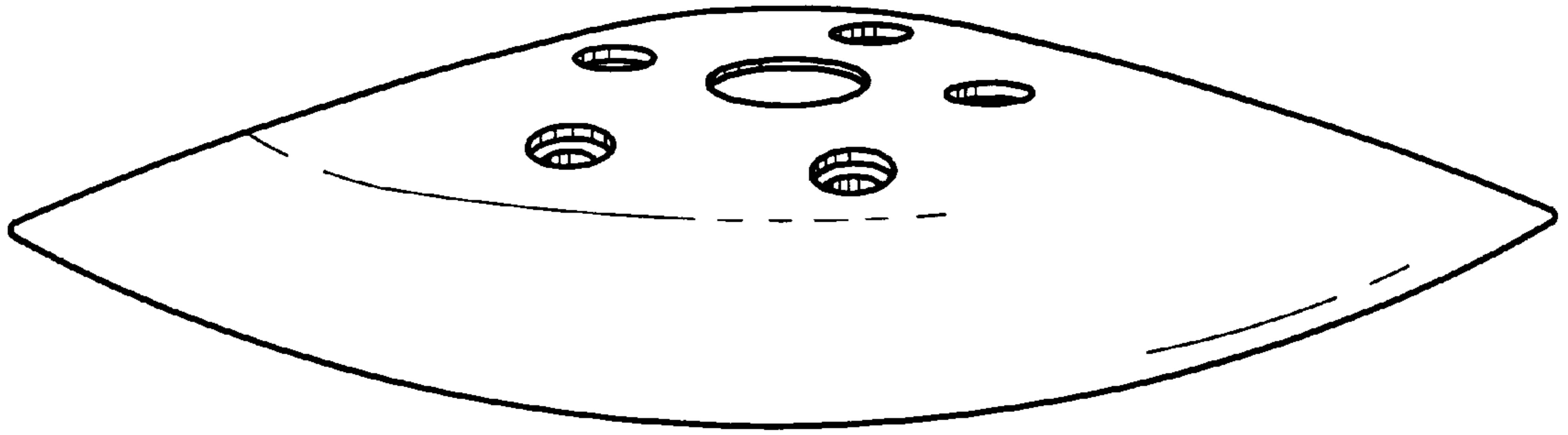
The ornamental design for a rotor cover for motorcycles, as shown and described.

**DESCRIPTION**

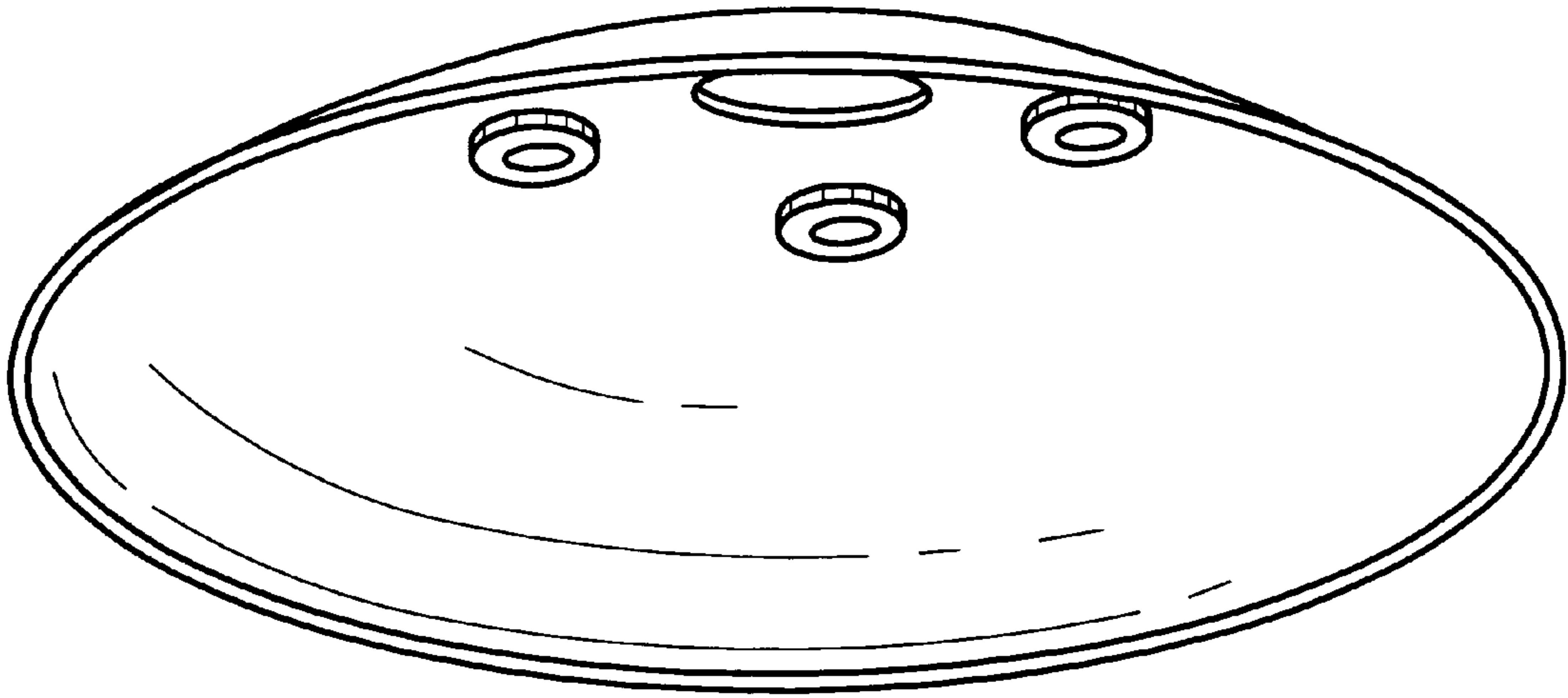
FIG. 1 is a top perspective view of a rotor cover for motorcycles embodying my new design;  
FIG. 2 is a bottom perspective view thereof;  
FIG. 3 is a top view thereof;  
FIG. 4 is a bottom view thereof;  
FIG. 5 is a side view thereof, the other side view being a mirror image thereof;  
FIG. 6 is a top perspective view of an alternate rotor cover for motorcycles embodying my new design;  
FIG. 7 is a bottom perspective view thereof;  
FIG. 8 is a top view thereof;  
FIG. 9 is a bottom view thereof; and,  
FIG. 10 is a side view thereof, the other side view being a mirror image thereof.

**1 Claim, 4 Drawing Sheets**





*FIG. 1*



*FIG. 2*

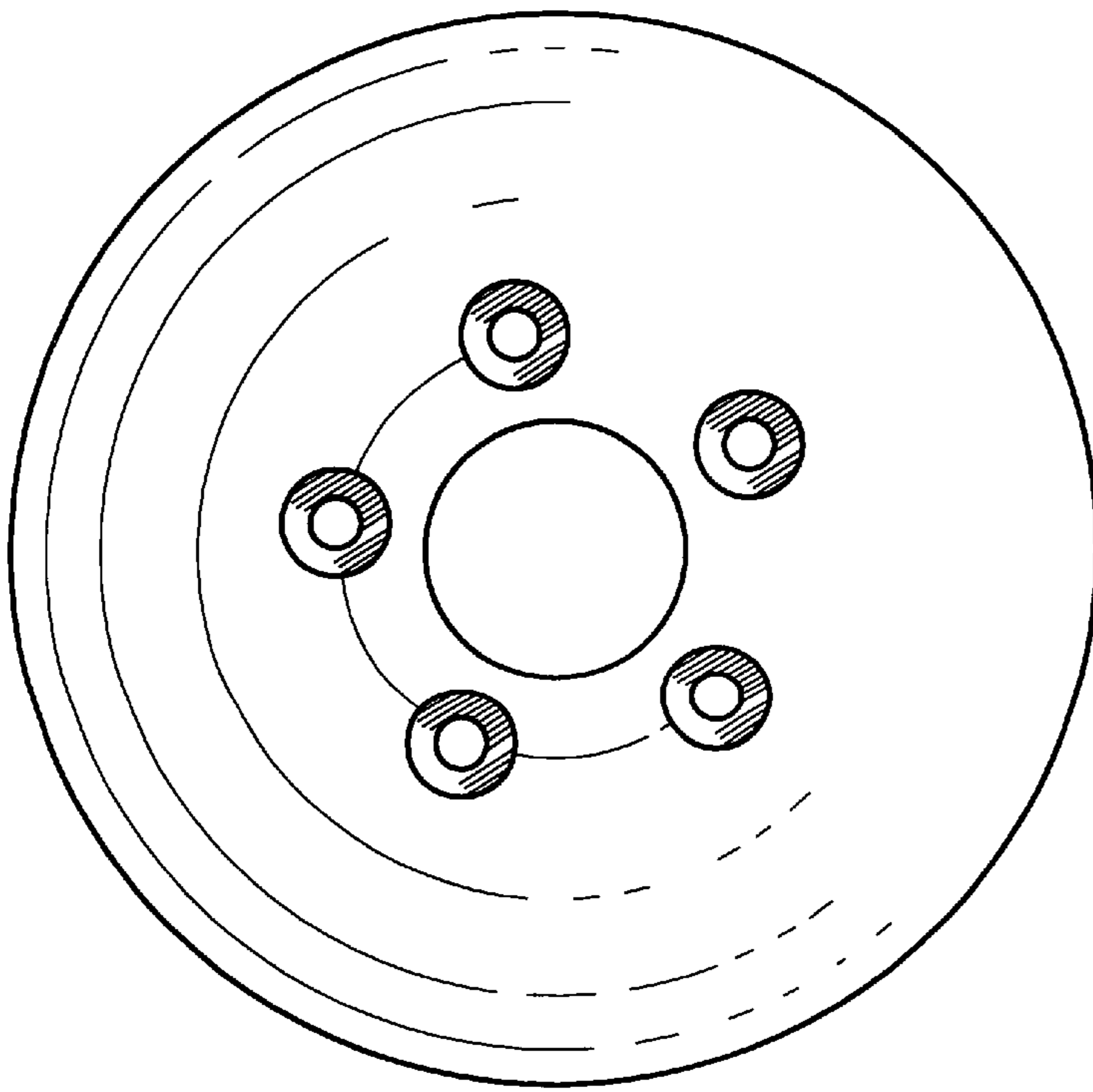


FIG. 3

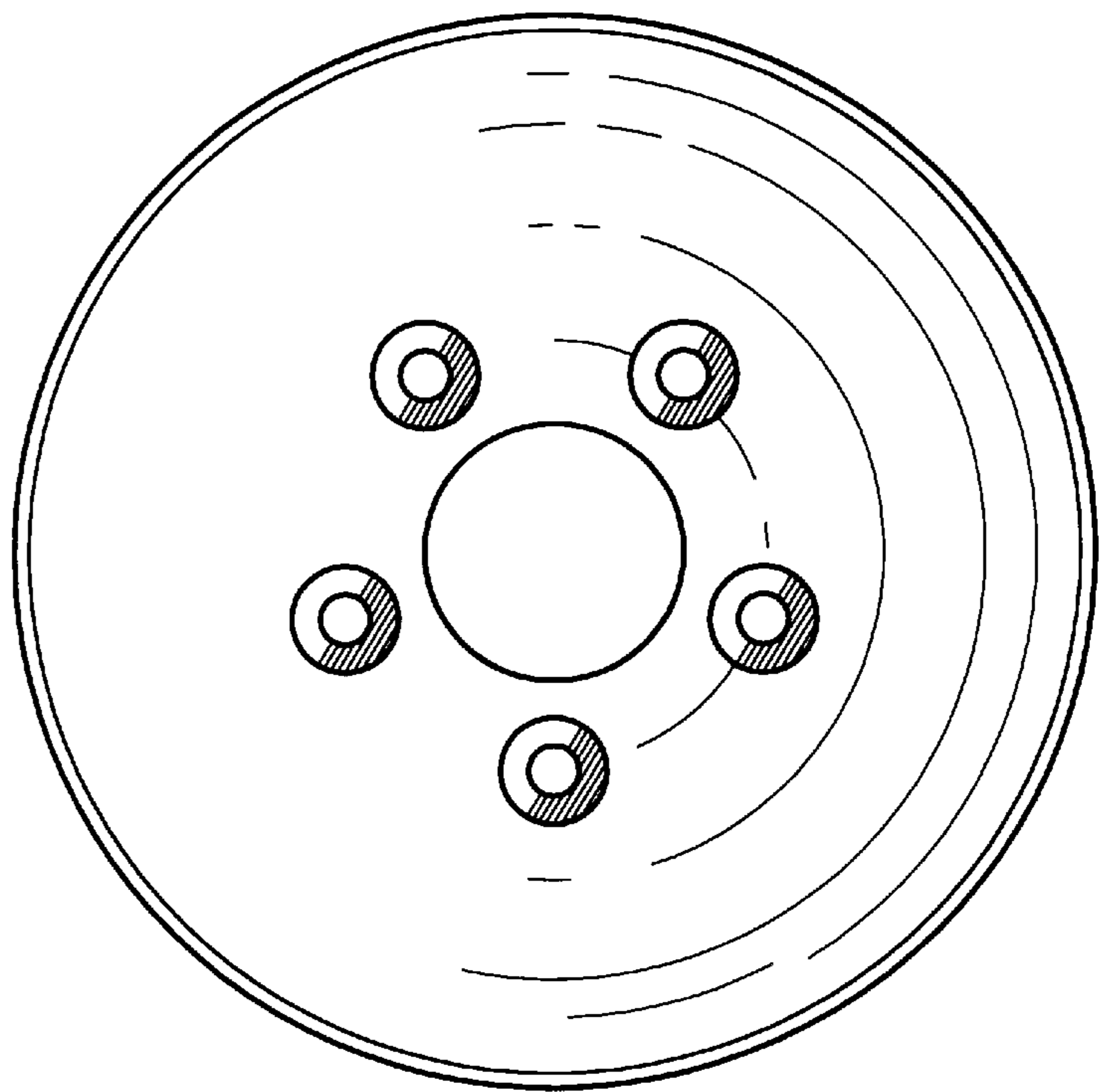


FIG. 4

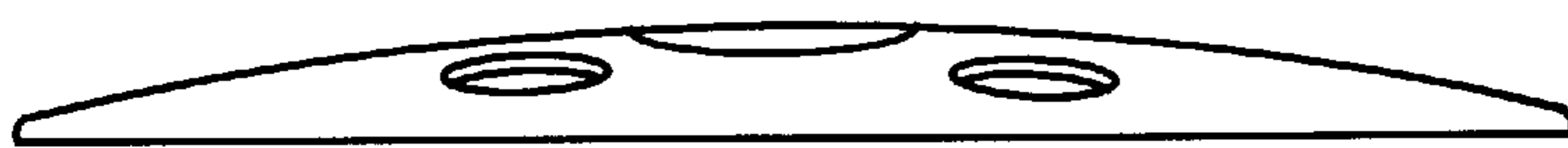
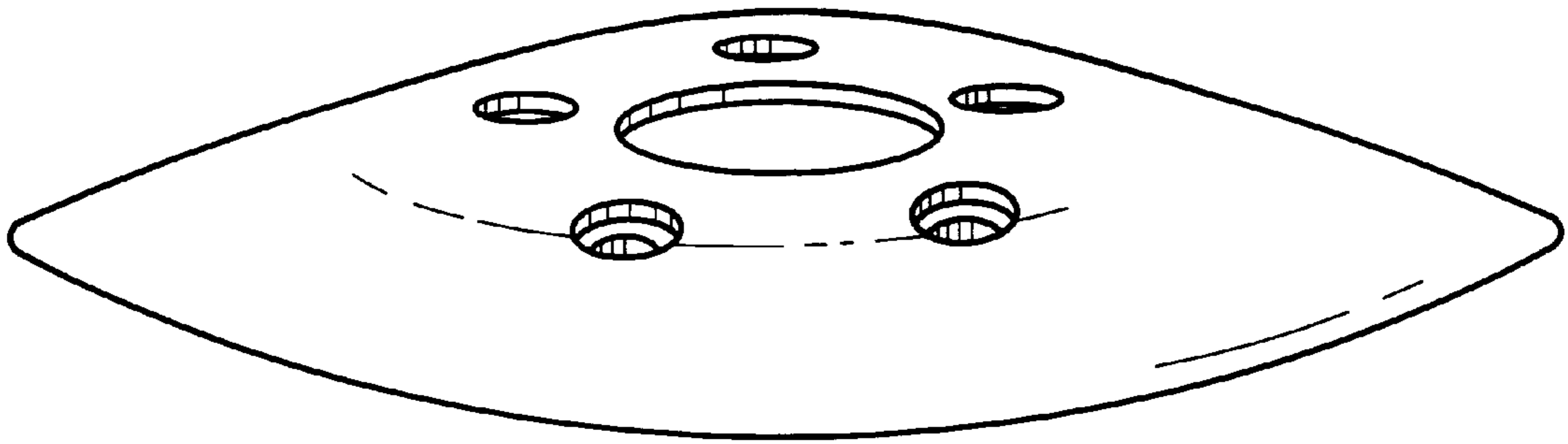
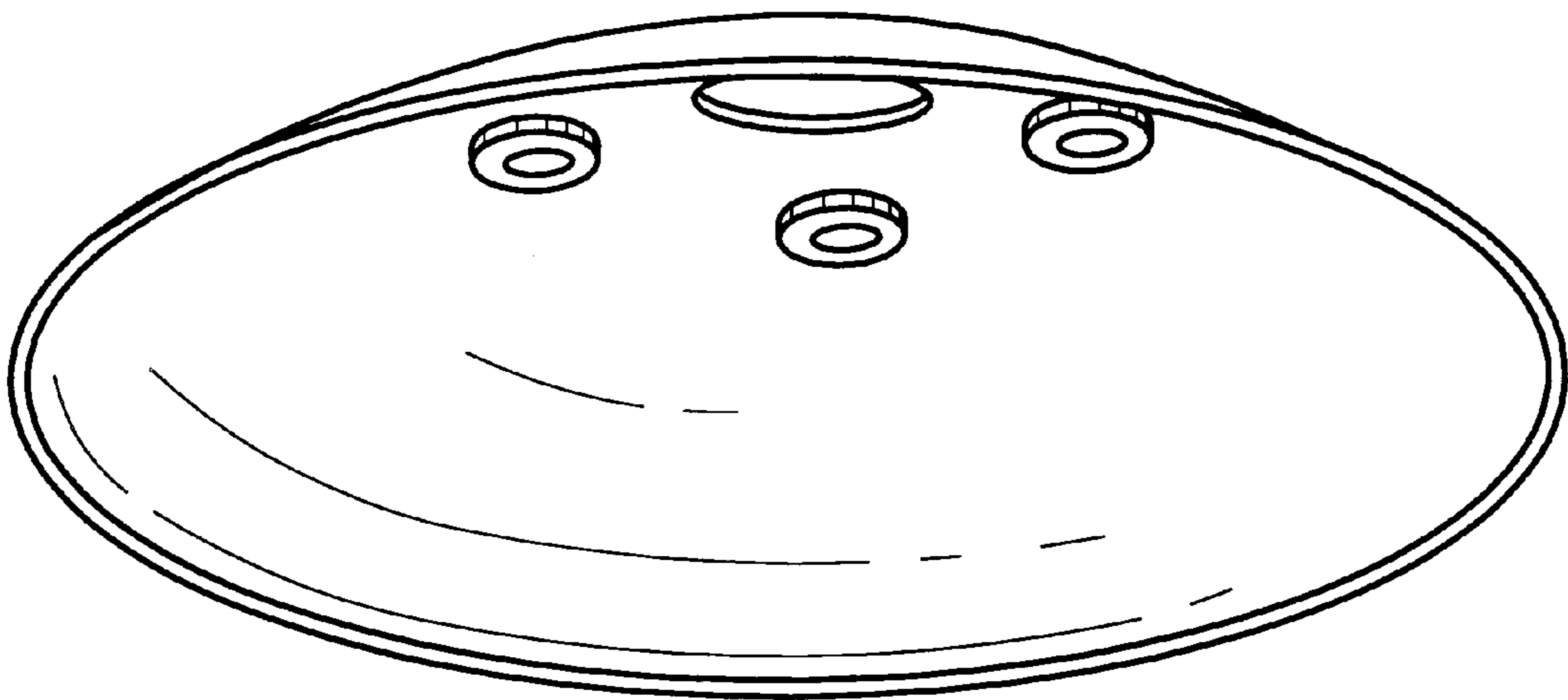


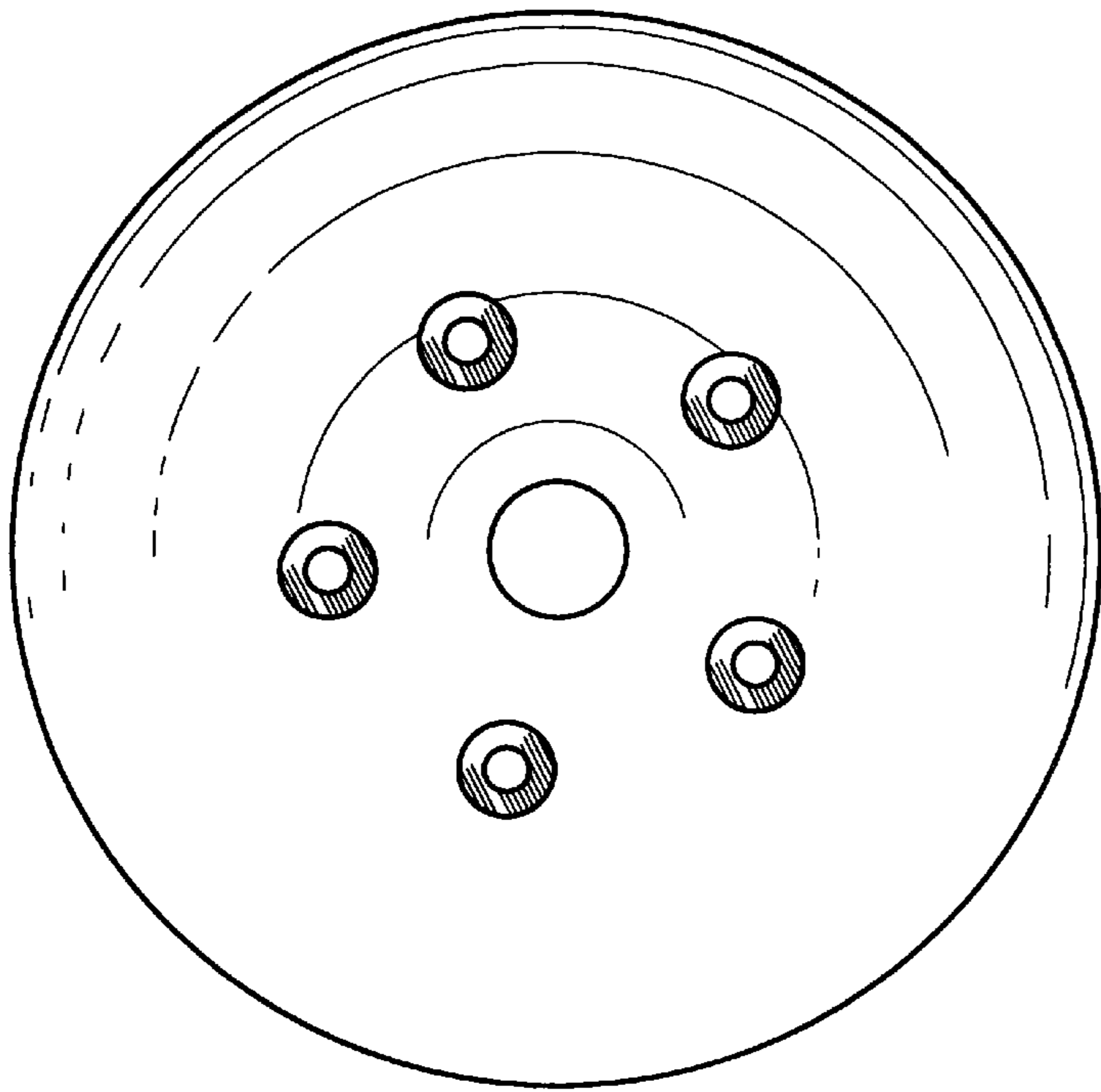
FIG. 5



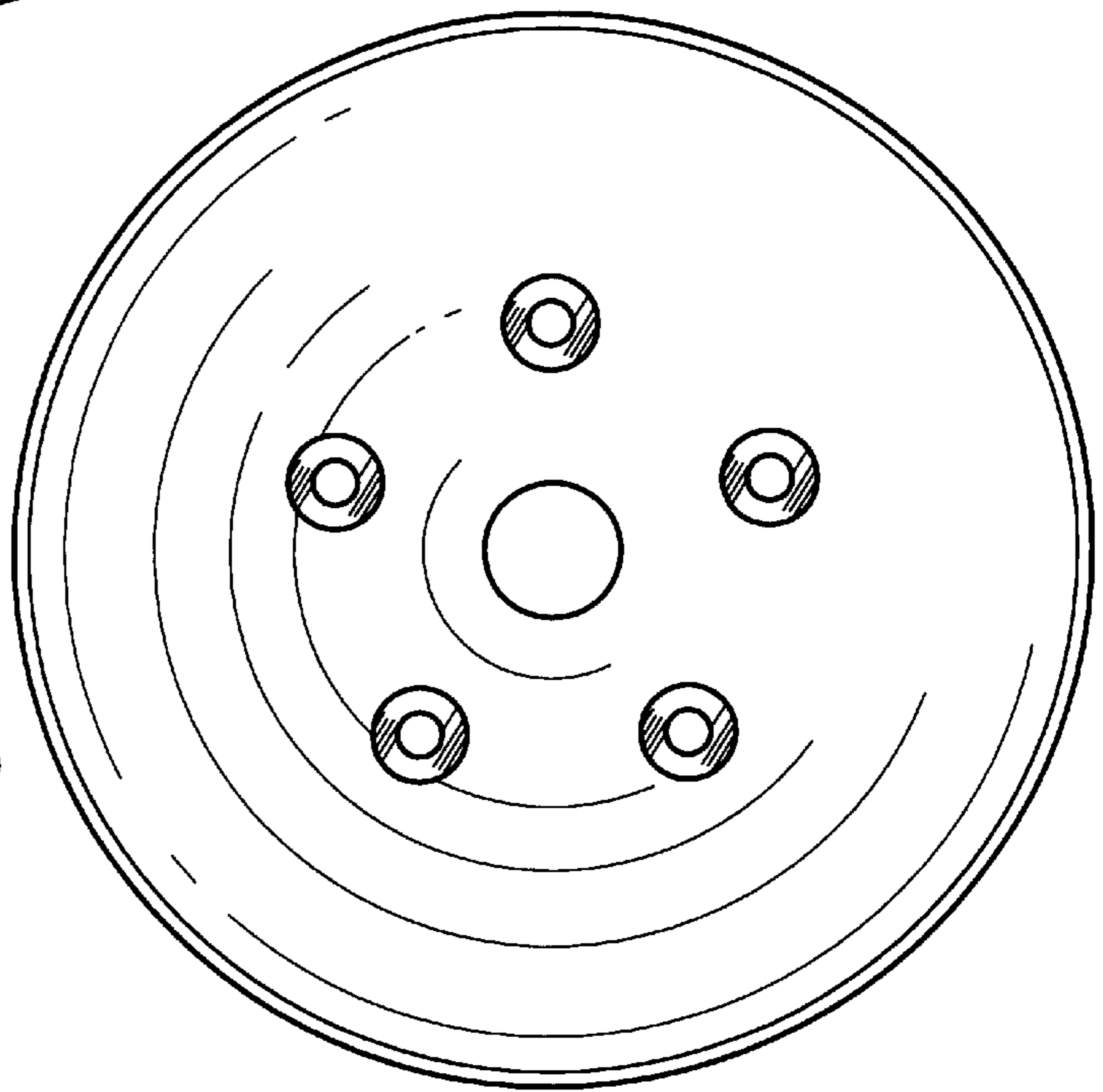
*FIG. 6*



*FIG. 7*



*FIG. 8*



*FIG. 9*



*FIG. 10*