



US00D424474S

United States Patent [19]
Gregory et al.

[11] **Patent Number: Des. 424,474**
[45] **Date of Patent: ** May 9, 2000**

[54] **QUICK RELEASE BUCKLE**

DESCRIPTION

[76] Inventors: **Wayne B. Gregory**, 100 Calle Cortez,
Temecula, Calif. 92590; **Gary A. Frazee**,
2064 Paseo Azul, San Dimas, Calif.
91773

[**] Term: **14 Years**

[21] Appl. No.: **29/105,910**

[22] Filed: **Jun. 2, 1999**

[51] **LOC (7) Cl.** **02-07**

[52] **U.S. Cl.** **D11/218**

[58] **Field of Search** D11/200, 214-218,
D11/231, 234; 24/196, 616, 625, 633, 650,
580, 525, 174, 573.1

[56] **References Cited**

U.S. PATENT DOCUMENTS

| | | | | |
|------------|---------|---------|-------|----------|
| D. 340,886 | 11/1993 | Anscher | | D11/218 |
| 4,894,890 | 1/1990 | Kasai | | 24/573.1 |
| 5,203,057 | 4/1993 | Runnels | | 24/573.1 |

Primary Examiner—Ralf Seifert
Attorney, Agent, or Firm—John E. Wagner

[57] **CLAIM**

The ornamental design for a quick release buckle, as shown and described.

FIG. 1 is a perspective view of a buckle in accordance with this invention in an engaged condition;
 FIG. 2 is a top plan view of the buckle of FIG. 1;
 FIG. 3 is a bottom plan view of the buckle of FIG. 1;
 FIG. 4 is a male end elevational view thereof;
 FIG. 5 is the female end elevational view thereof;
 FIG. 6 is a left side elevation view of the buckle of FIG. 1 in an engaged condition;
 FIG. 7 is a perspective view of the receiving or female part of the buckle of FIG. 1;
 FIG. 8 is a perspective view of the engaging or male part of the buckle of FIG. 1;
 FIG. 9 is a top plan view of the receiving or female part of the buckle of FIG. 7;
 FIG. 10 is a side elevation of the receiving or female part of the invention as shown in FIGS. 7 and 9, the opposite side being than the mirror image thereof;
 FIG. 11 is a top plan view of the engaging or a male part of the buckle of this invention as shown in FIG. 8;
 FIG. 12 is a side elevation view of the engaging or male part of this invention as shown in FIGS. 8 and 11, the opposite side being the mirror image thereof;
 FIG. 13 is a bottom plan view of the receiving or female part shown in FIGS. 7 and 9; and,
 FIG. 14 is a bottom plan view of the engaging or male part of the buckle of this invention as shown in FIGS. 8 and 11.
 The portions of the drawings shown in dashed lines do not constitute part of the design.

1 Claim, 5 Drawing Sheets

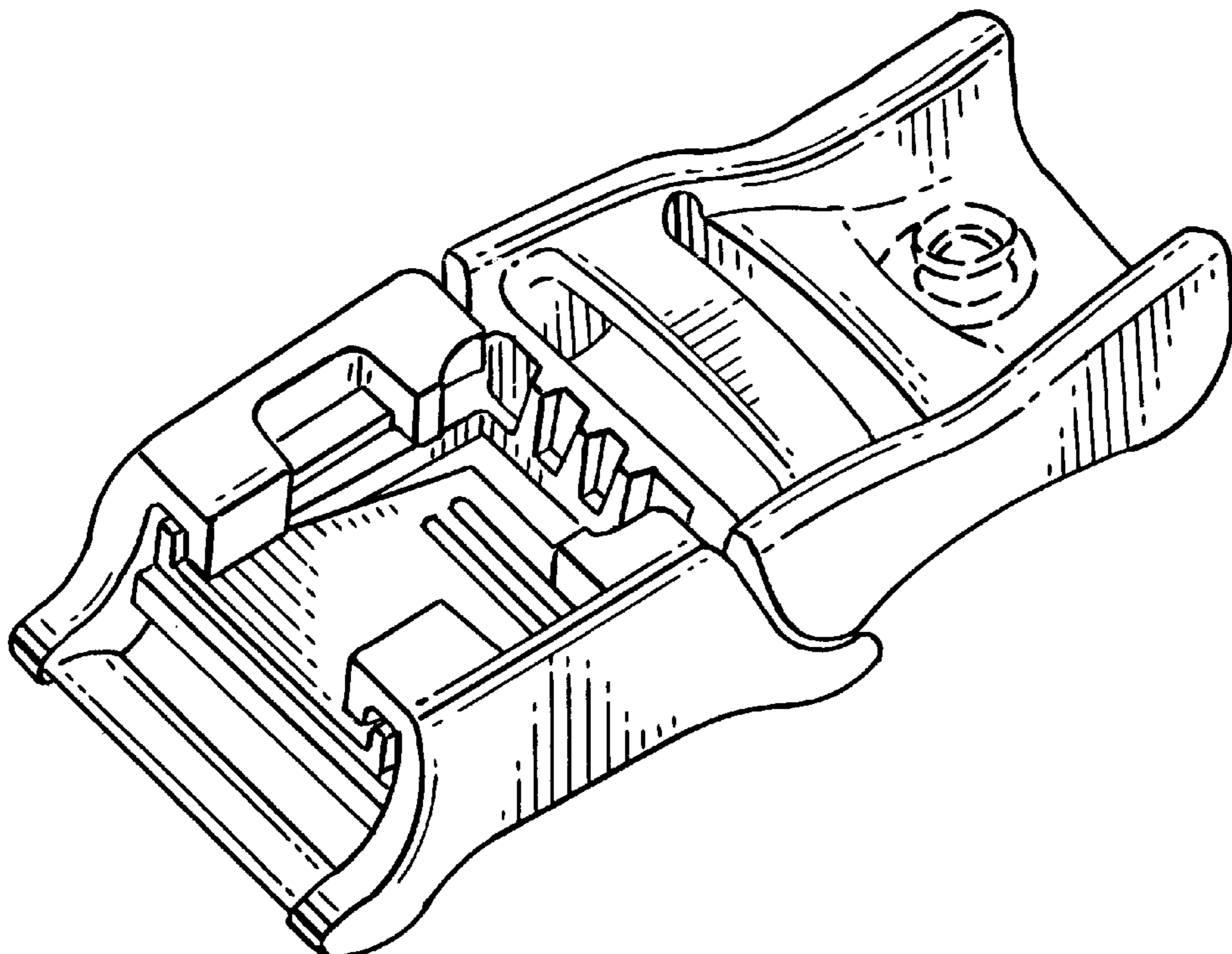


FIG. 1.

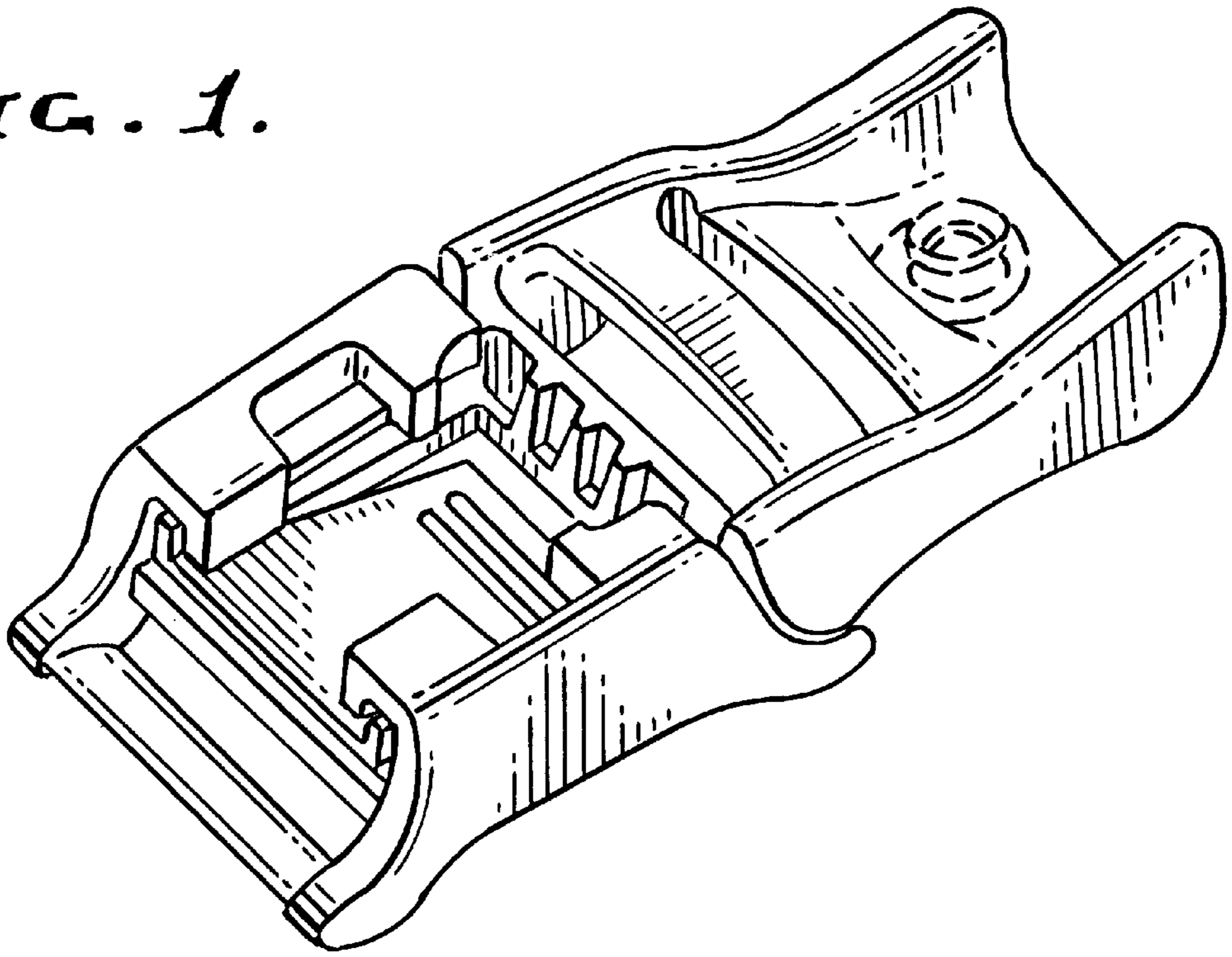


FIG. 2.

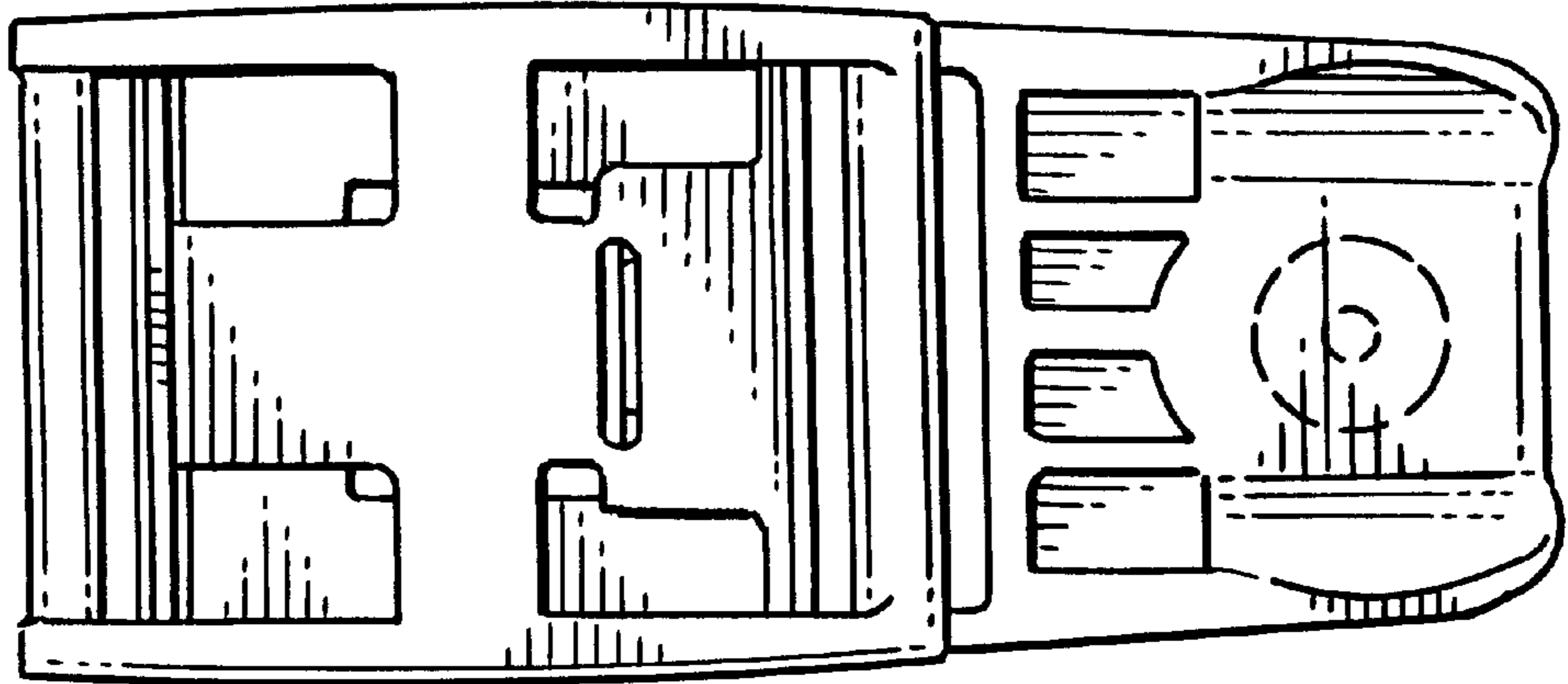


FIG. 3.

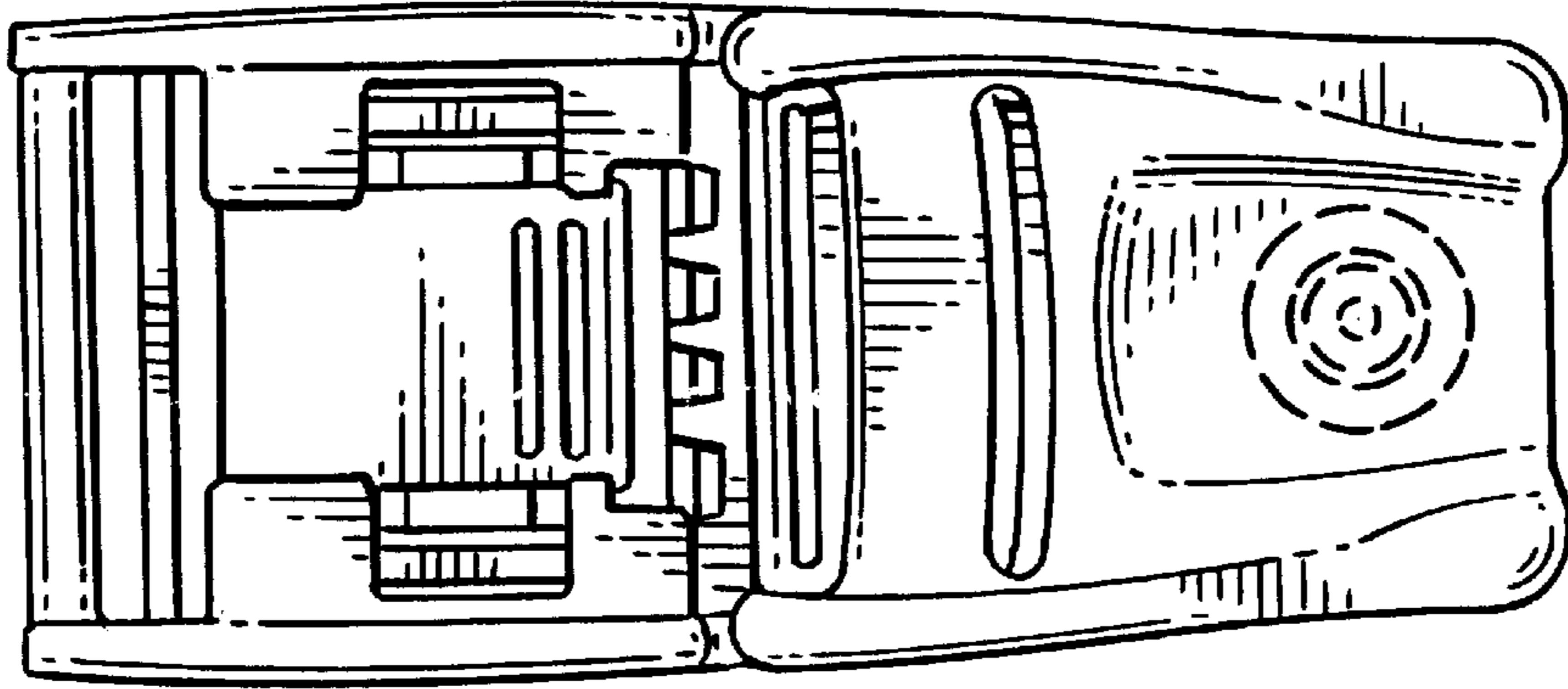


FIG. 4.

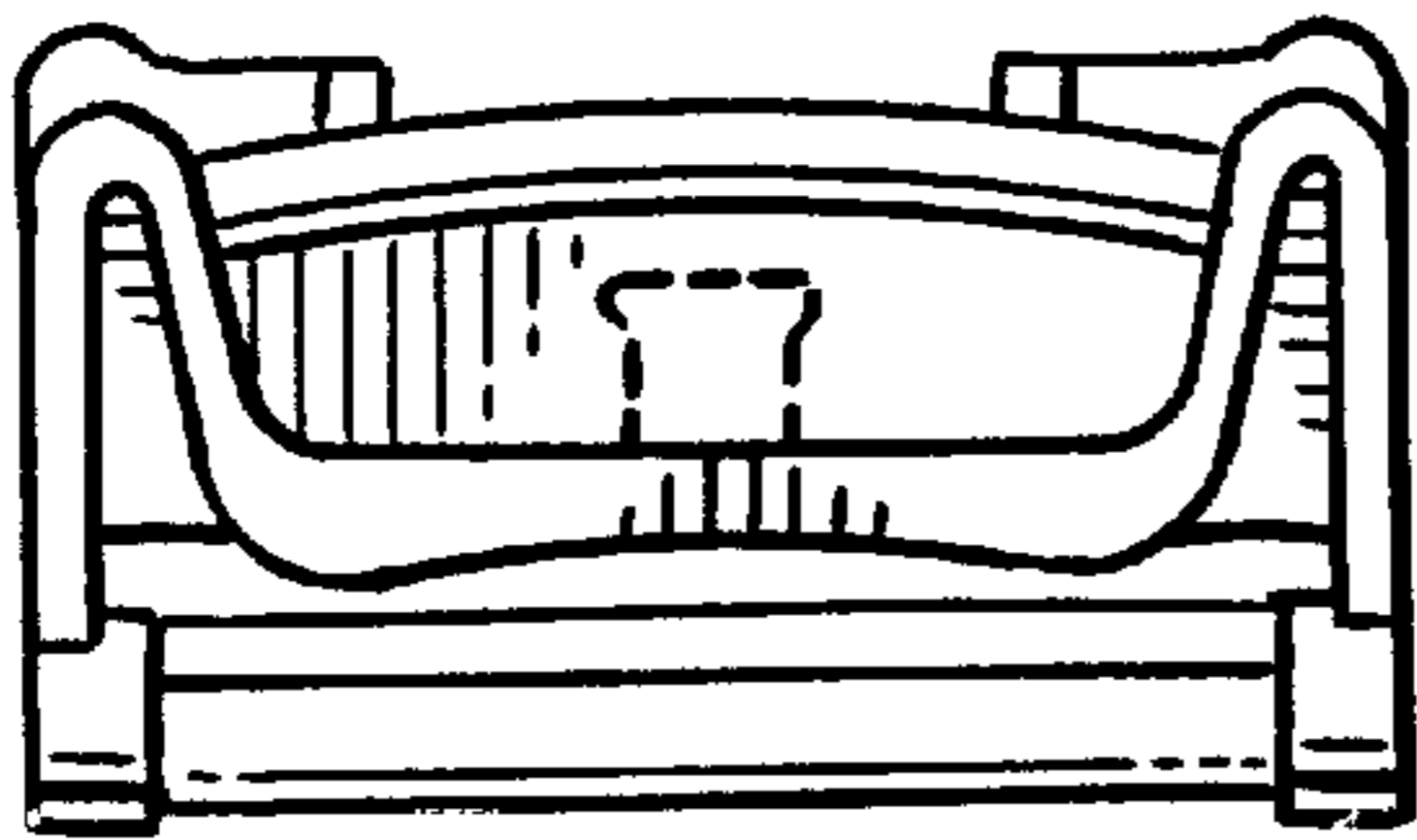


FIG. 5.

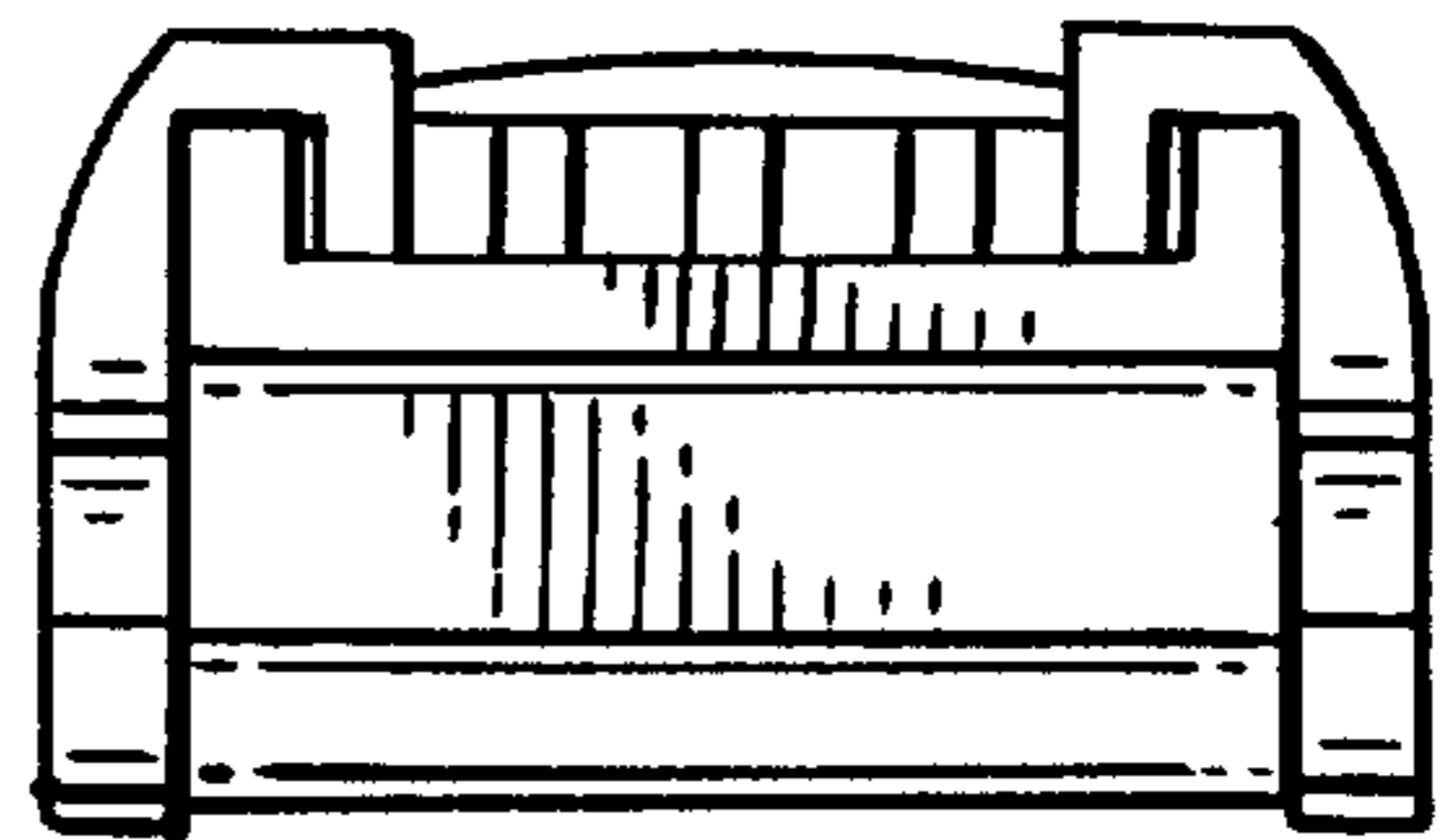


FIG. 6.

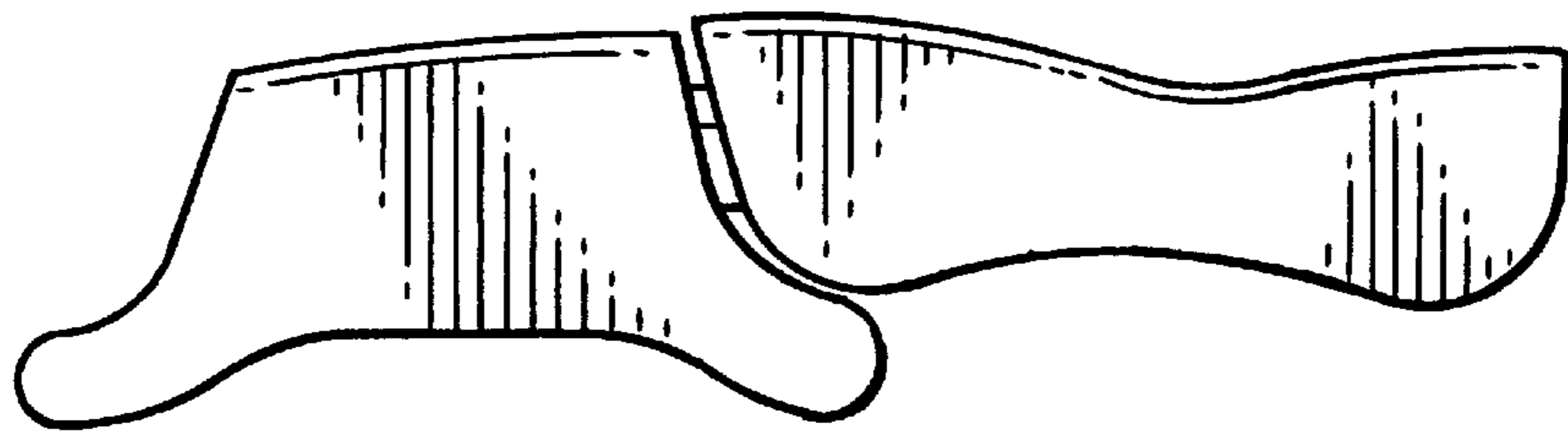


FIG. 7.

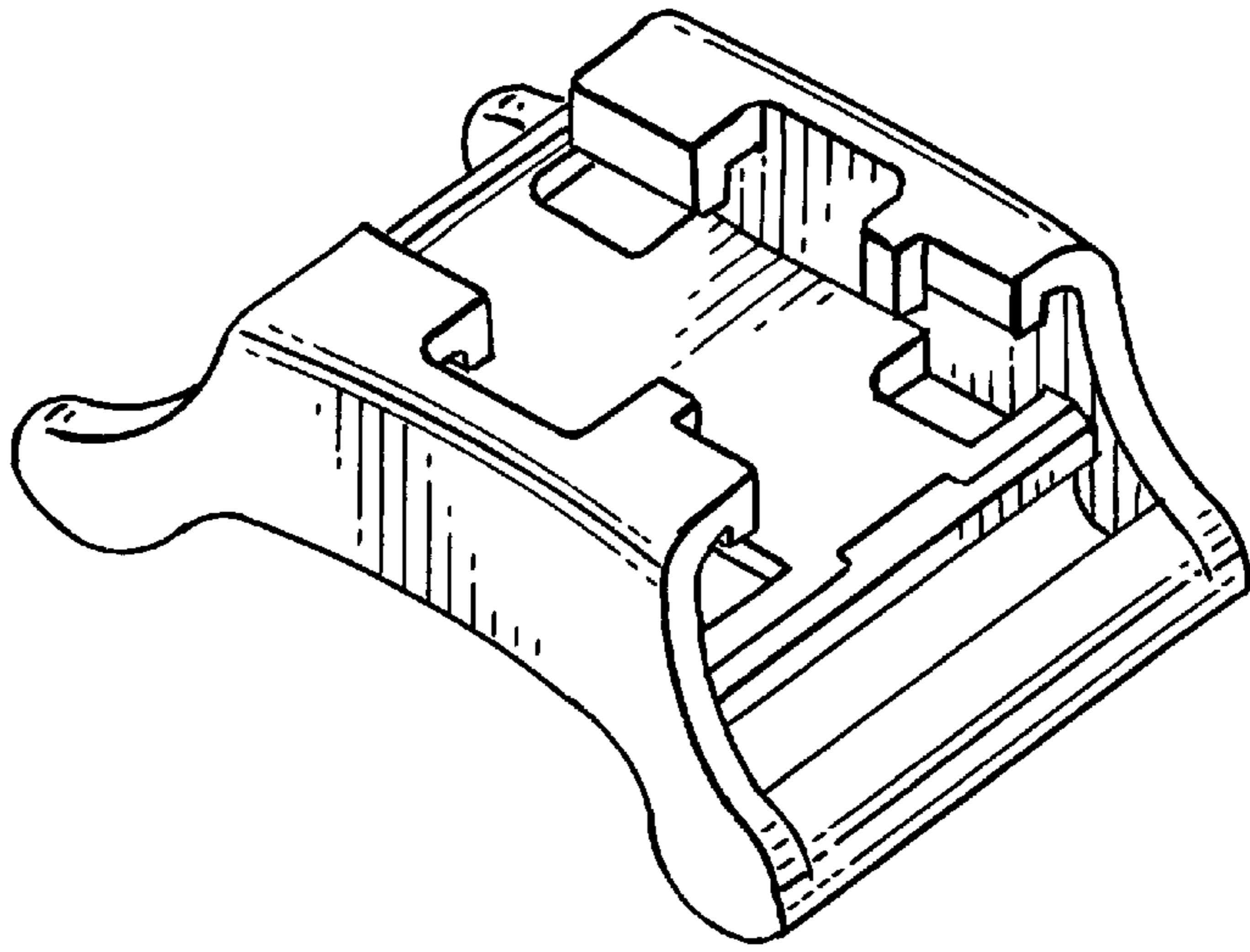


FIG. 8.

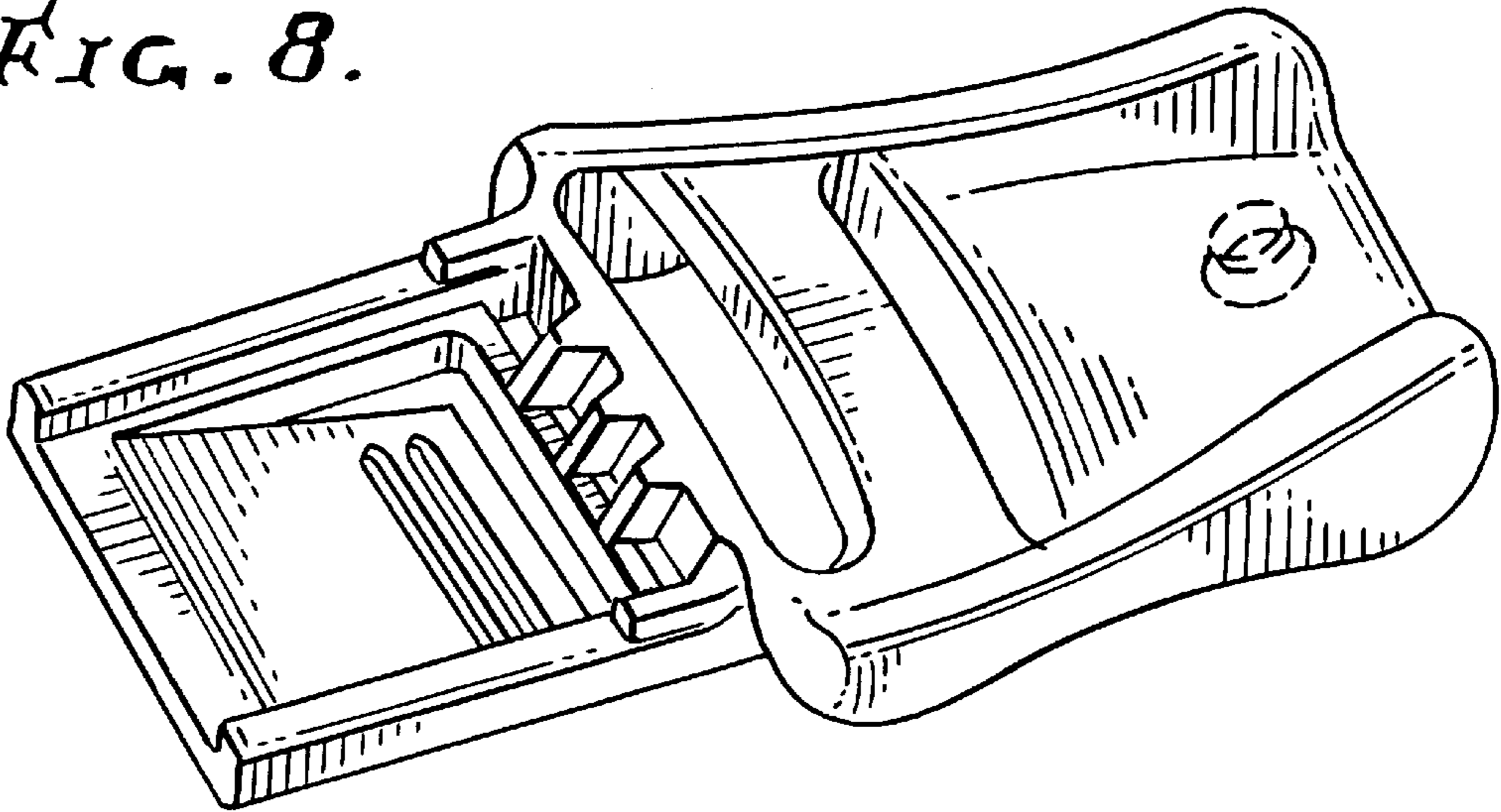


FIG. 9.

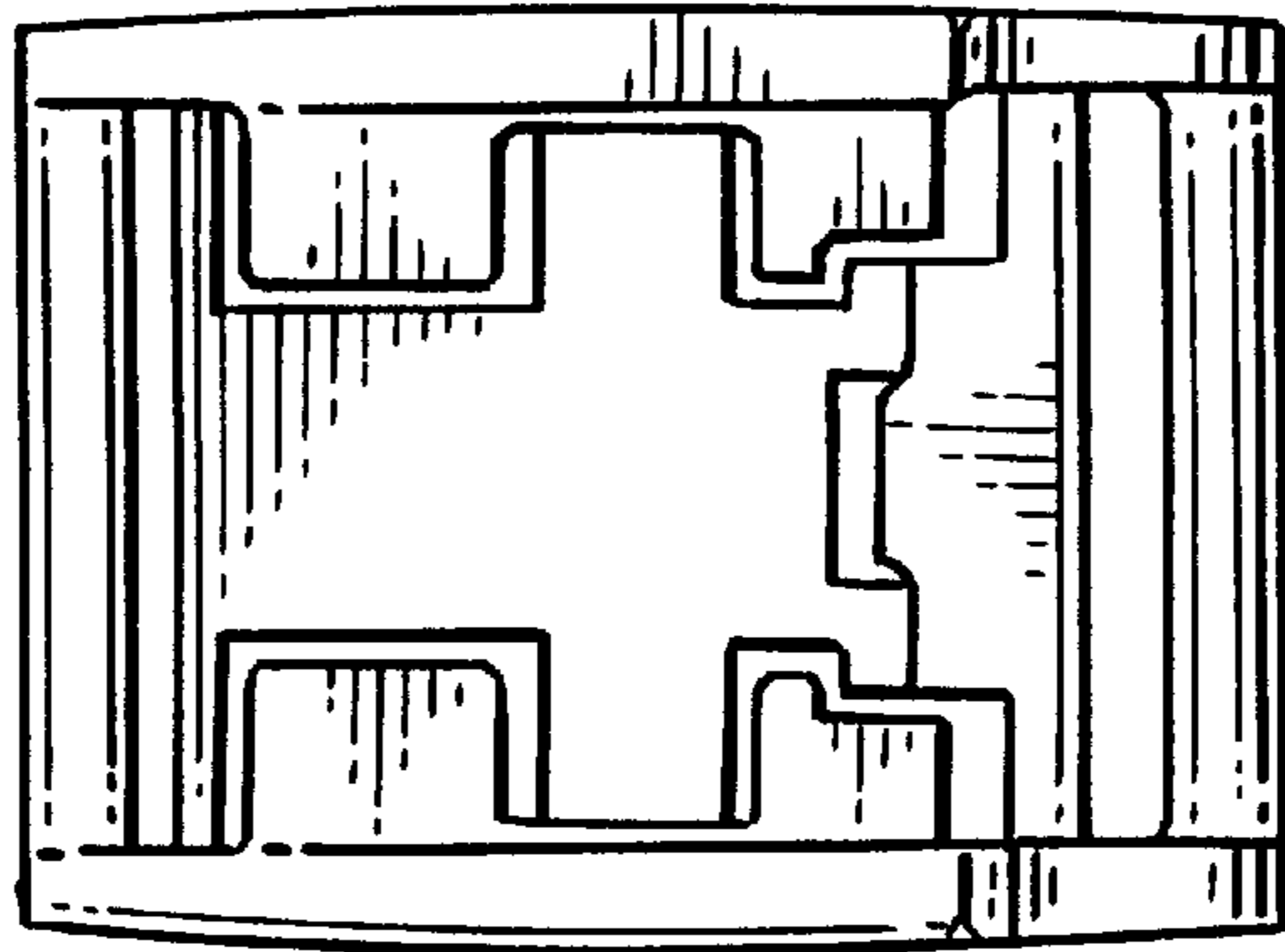


FIG. 10.

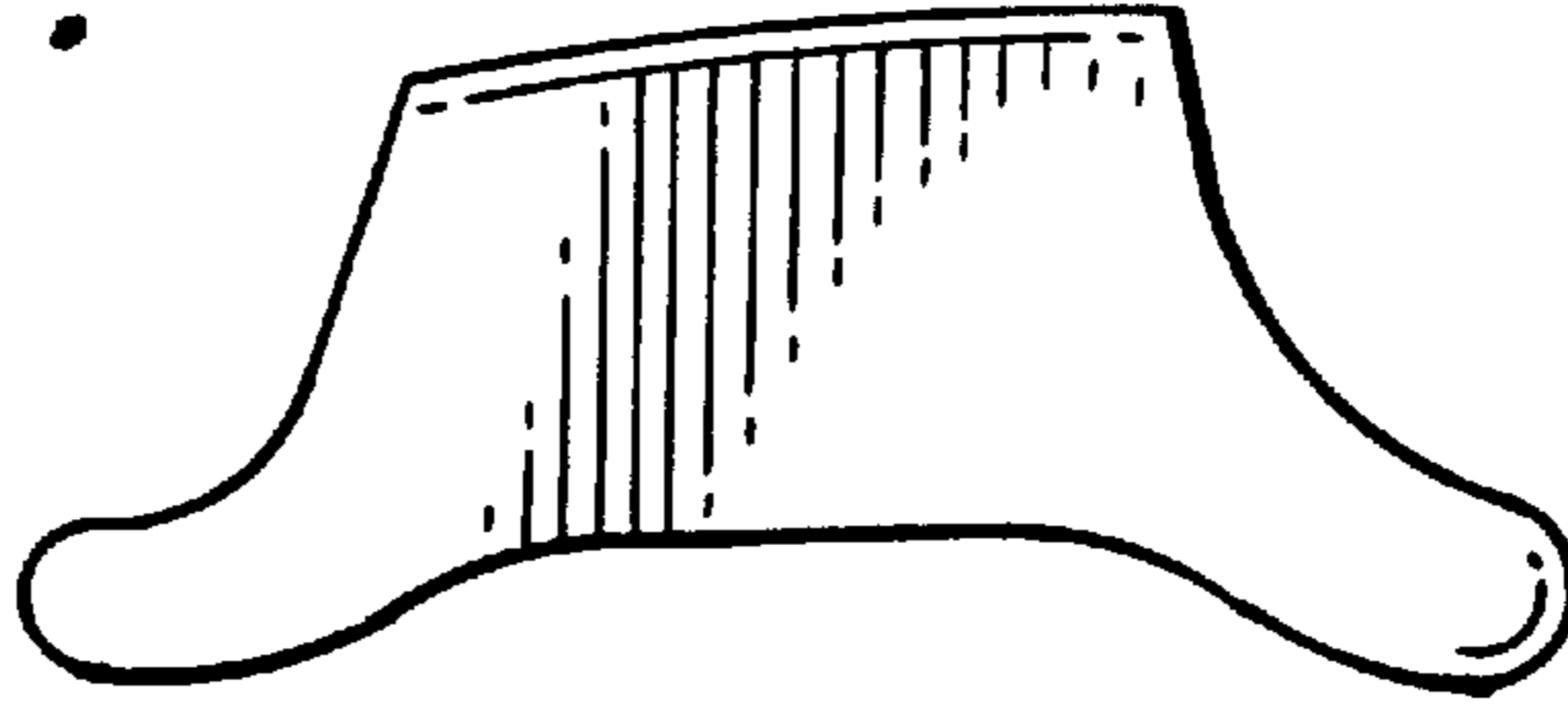


FIG. 11.

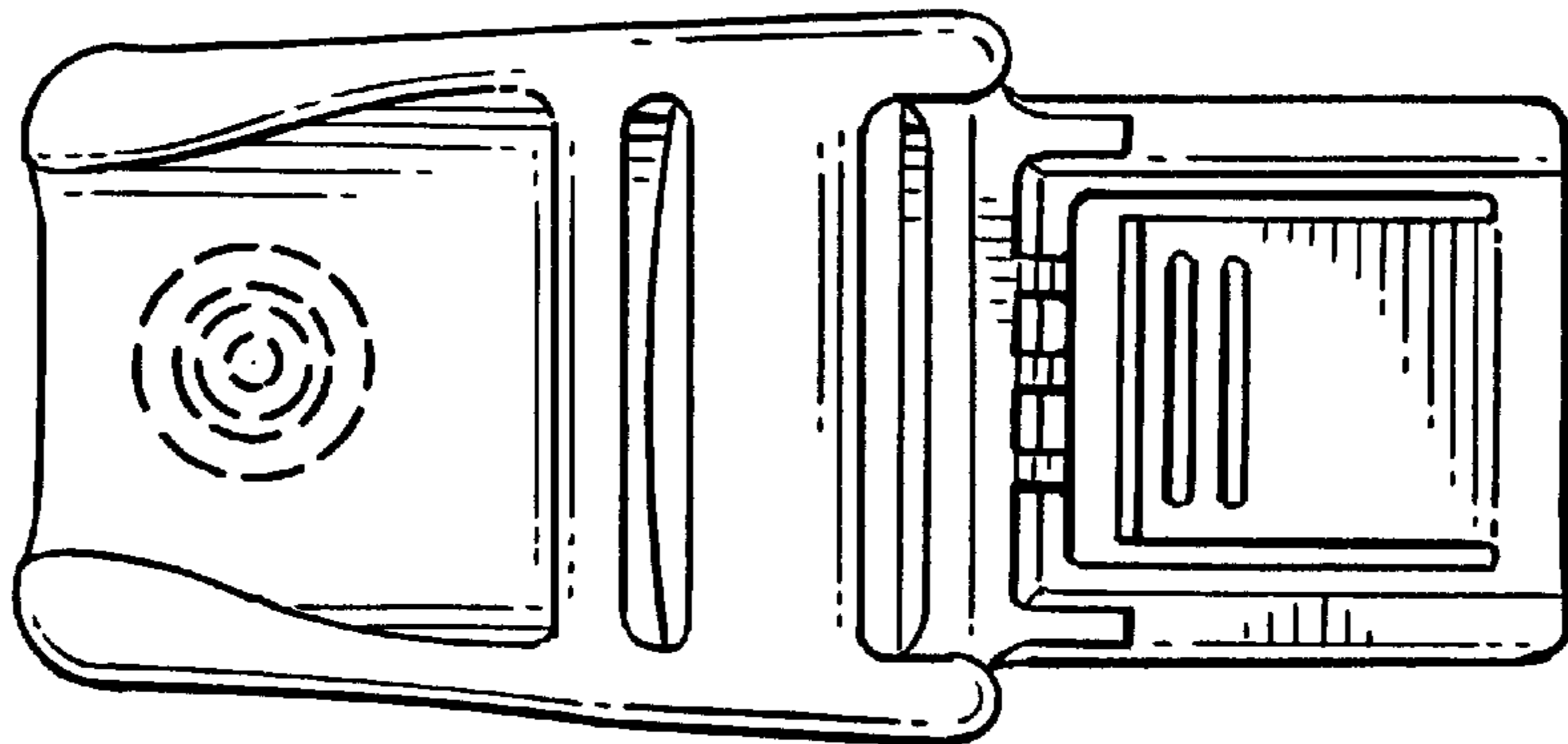


FIG. 12.

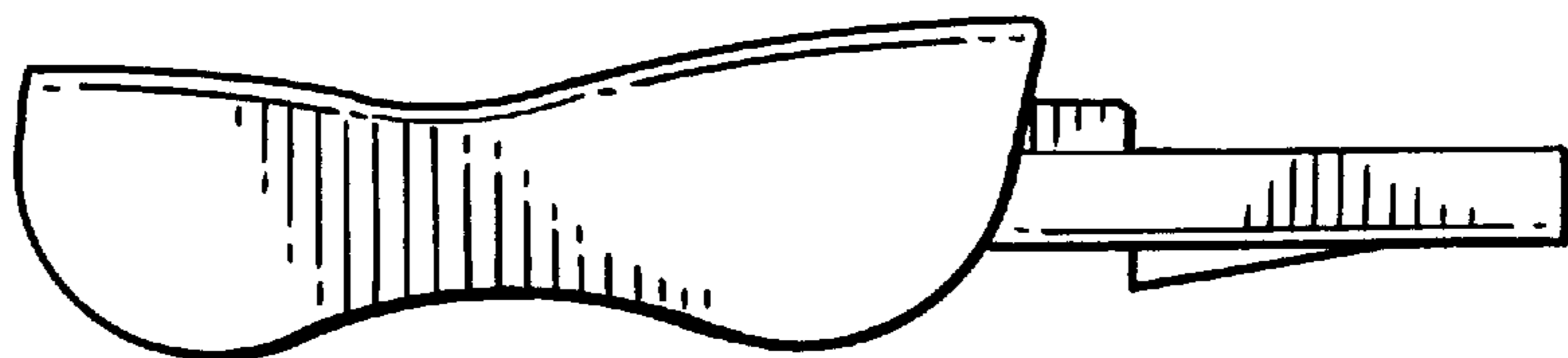


FIG. 13.

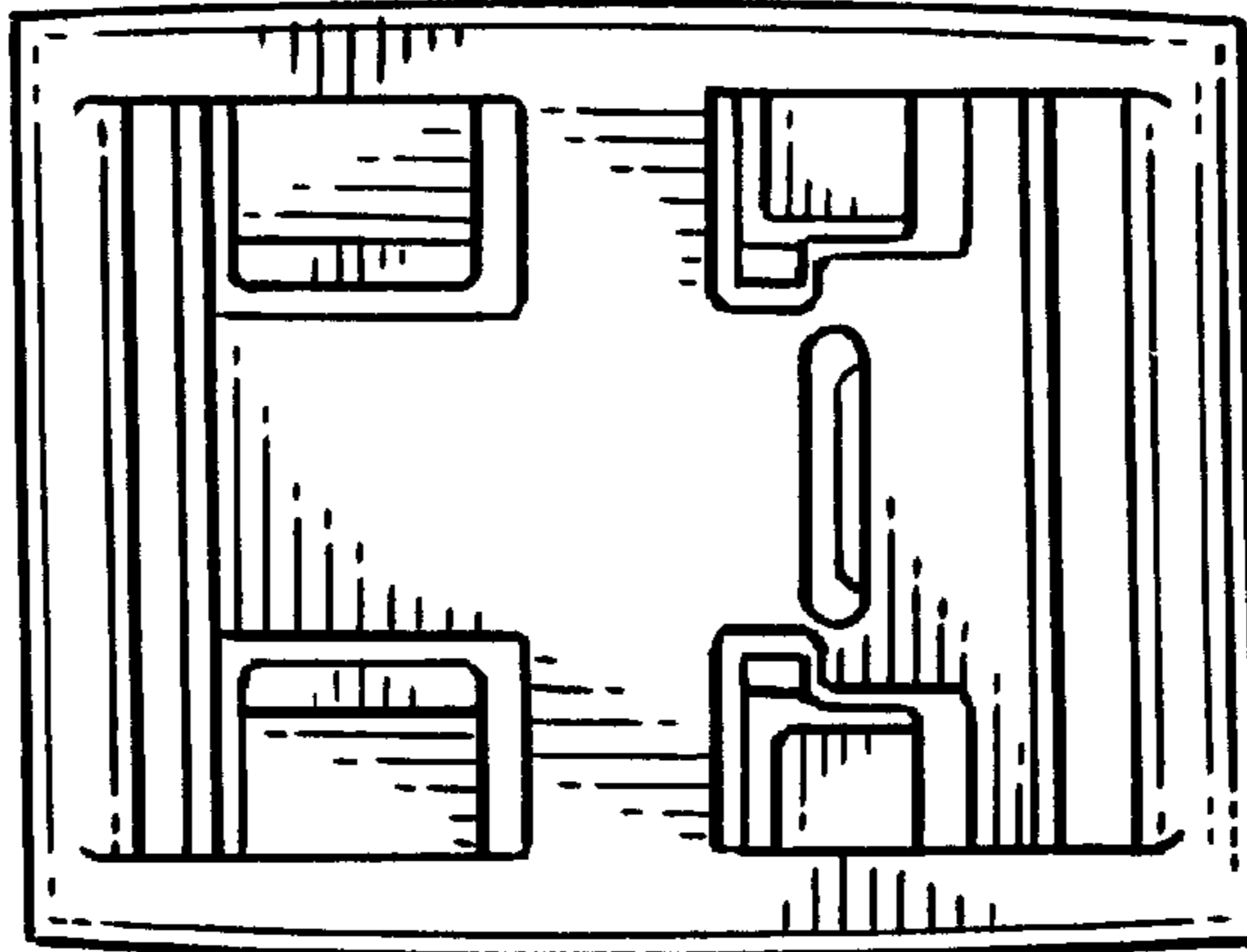


FIG. 14.

