



US00D424472S

**United States Patent** [19]  
**Grosfillex**

[11] **Patent Number: Des. 424,472**

[45] **Date of Patent: \*\* May 9, 2000**

[54] **FLOWER POT**

D. 340,204 10/1993 Grosfillex .  
D. 360,166 7/1995 Grosfillex .

[75] Inventor: **Raymond Grosfillex**, Oyonnax, France

**OTHER PUBLICATIONS**

Smith & Hawken catalog, square planter on p. 41, 1989.

[73] Assignee: **Grosfillex Sarl**, Oyonnax, France

*Primary Examiner*—Doris V. Coles  
*Assistant Examiner*—Linda Brooks  
*Attorney, Agent, or Firm*—Dowell & Dowell, P.C.

[\*\*] Term: **14 Years**

[21] Appl. No.: **29/110,590**

[22] Filed: **Sep. 9, 1999**

[57] **CLAIM**

The ornamental design for a flower pot, as shown and described.

[30] **Foreign Application Priority Data**

Mar. 15, 1999 [XH] Hague Agreement ..... DMA/004 426

**DESCRIPTION**

[51] **LOC (7) Cl.** ..... **11-02**

[52] **U.S. Cl.** ..... **D11/155**

[58] **Field of Search** ..... D11/143-156,  
D11/164; 47/65.5, 65.7, 67, 68, 72, 80,  
41.01; 248/27.8; 206/423

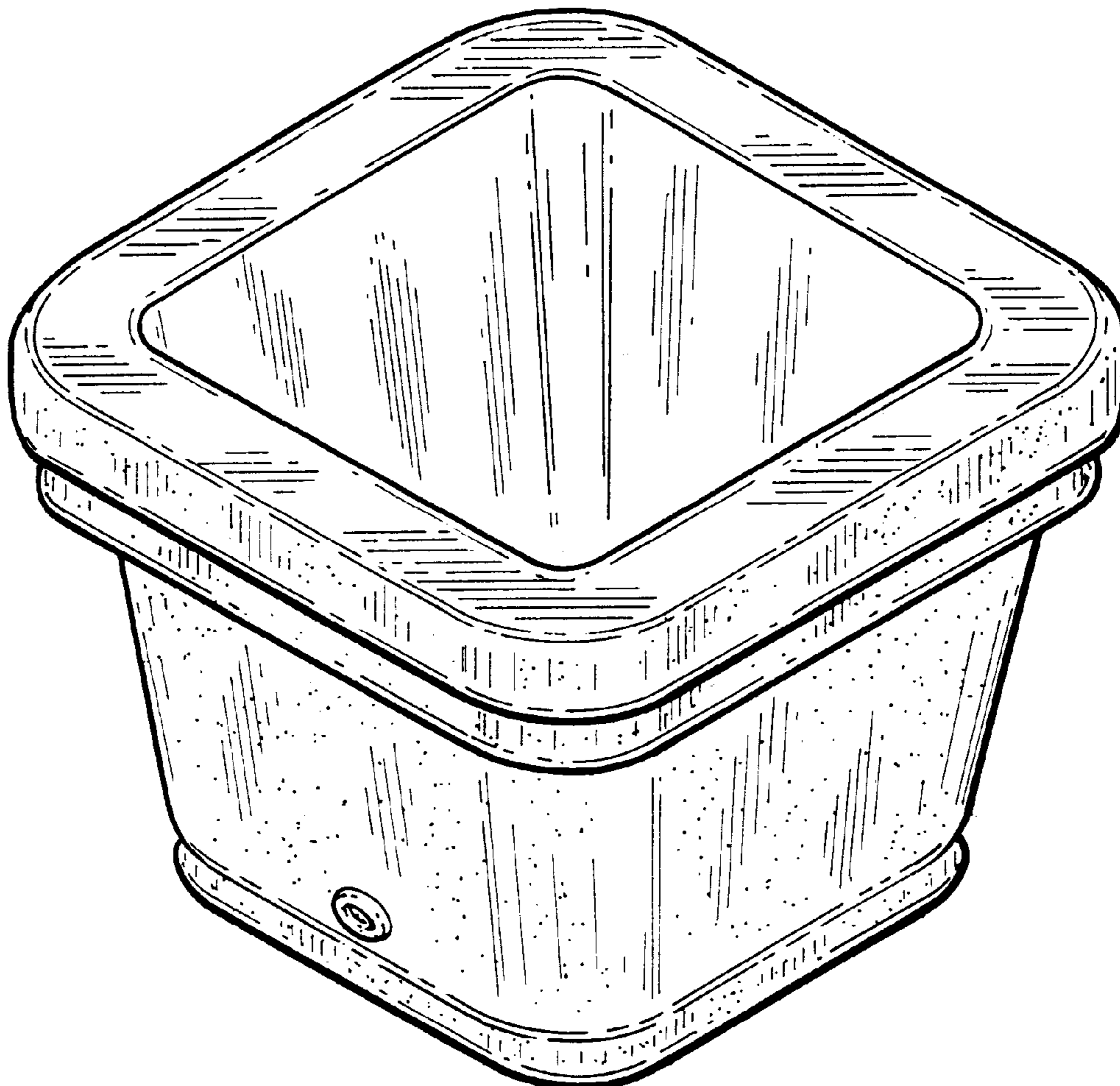
FIG. 1 is a front perspective view of a flower pot showing my new design;  
FIG. 2 is a front elevational view thereof, a view from the rear being a mirror image;  
FIG. 3 is a right side elevational view, a view from the left side being a mirror image;  
FIG. 4 is a top plan view; and,  
FIG. 5 is a bottom plan view.

[56] **References Cited**

**U.S. PATENT DOCUMENTS**

D. 150,258 7/1948 Rosenberg ..... D11/155  
D. 241,058 8/1976 Burke et al. .... D11/155  
D. 304,022 10/1989 White ..... D11/155

**1 Claim, 2 Drawing Sheets**



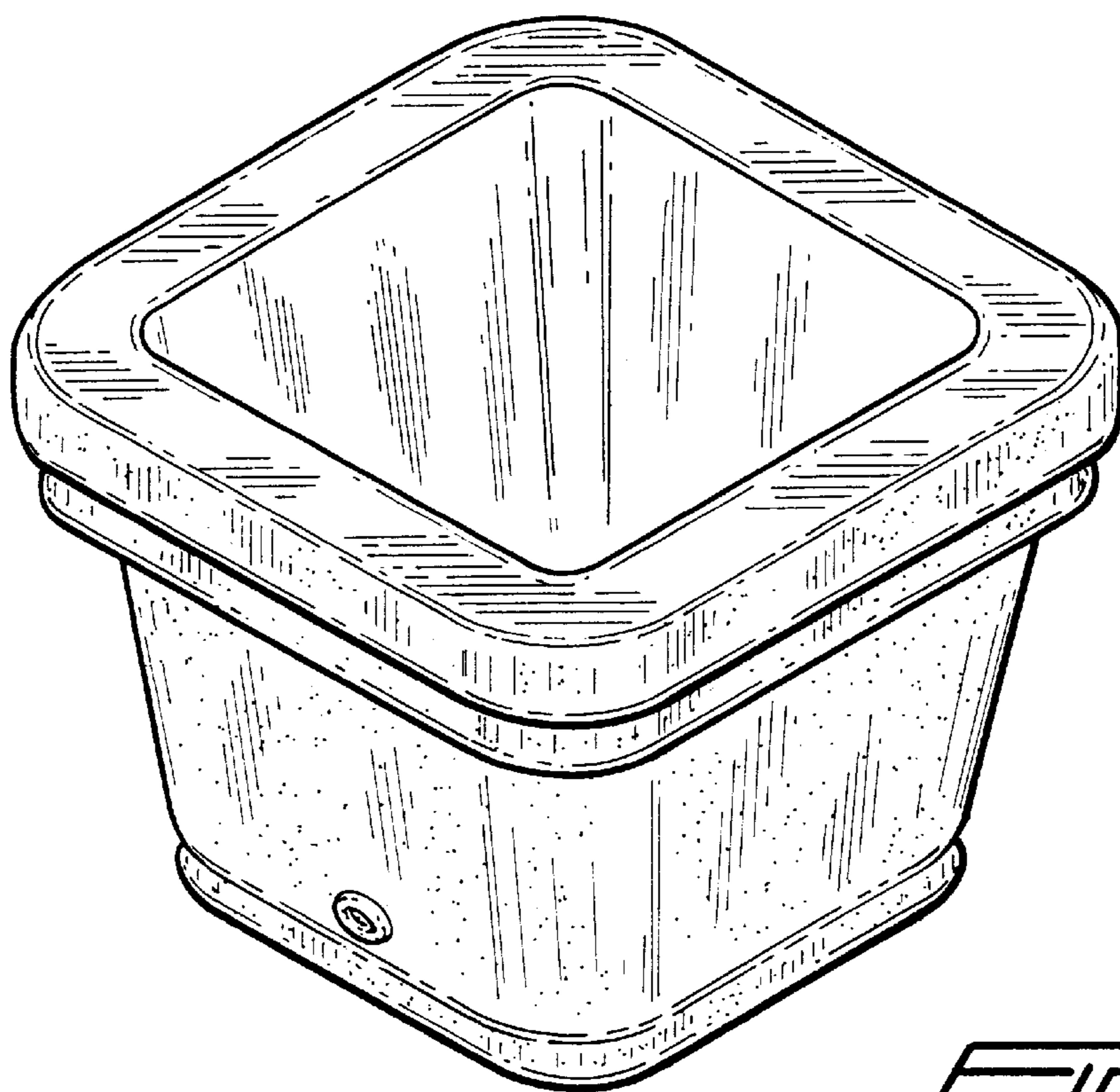


FIG. 1

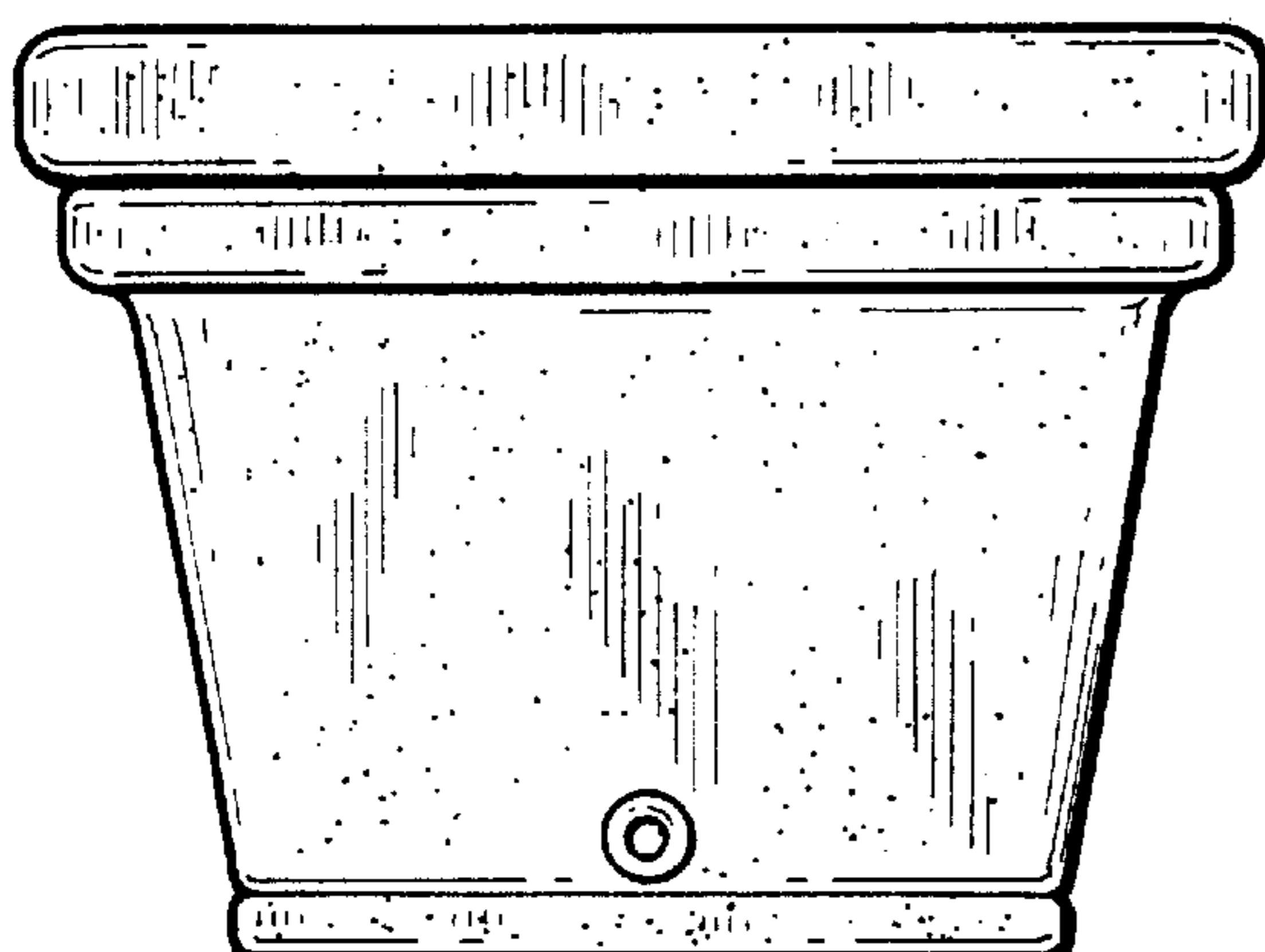


FIG. 2

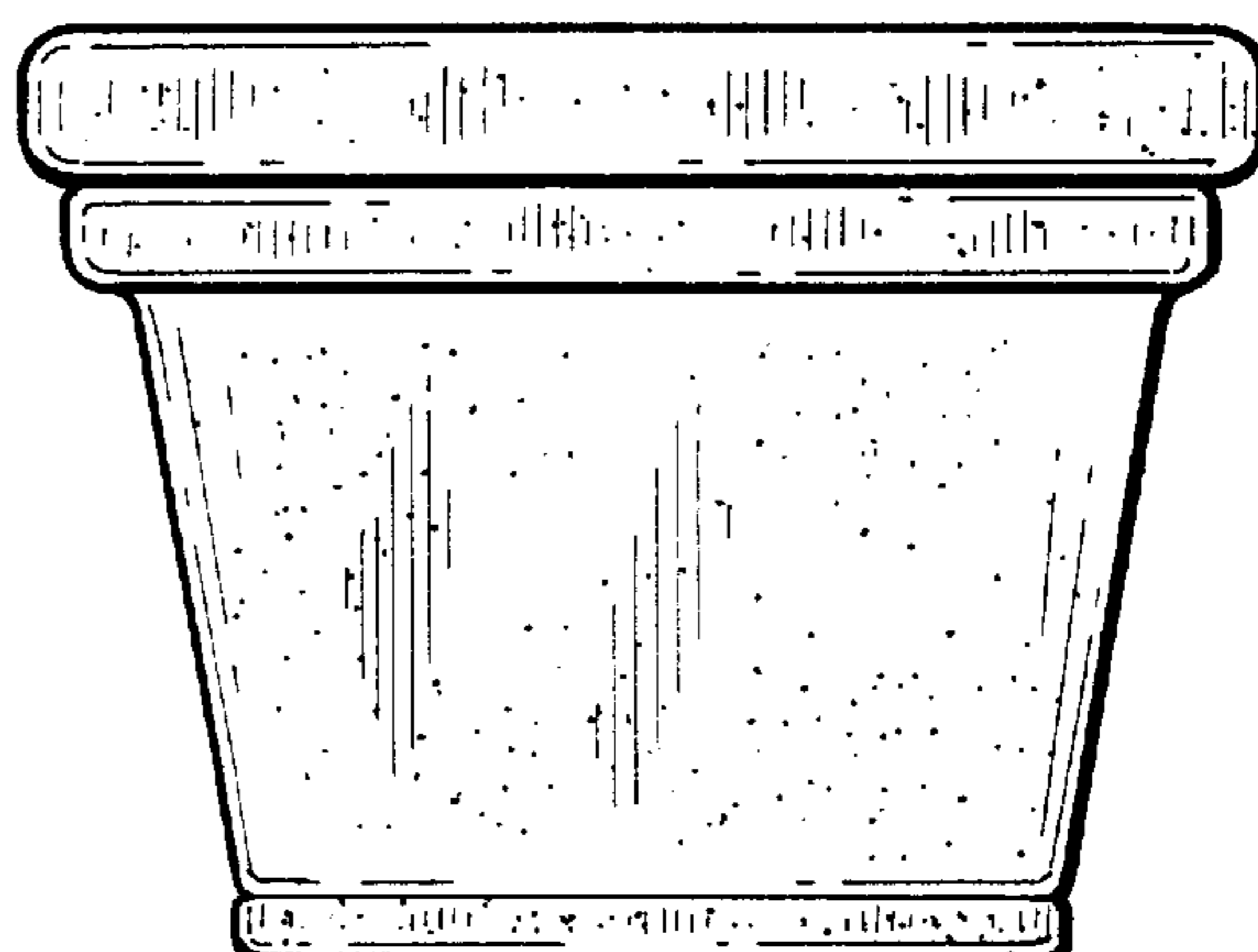


FIG. 3

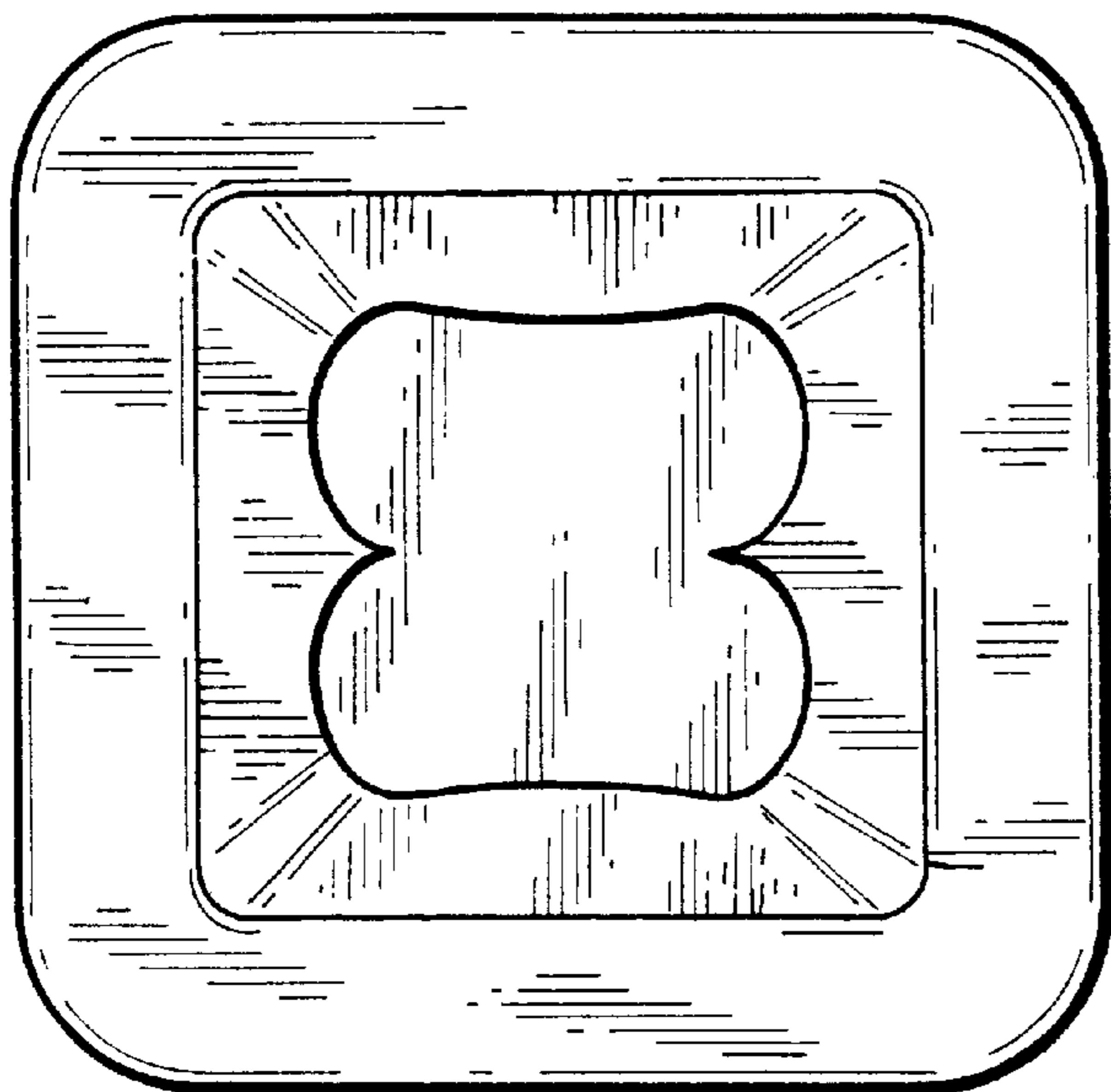


FIG. 4

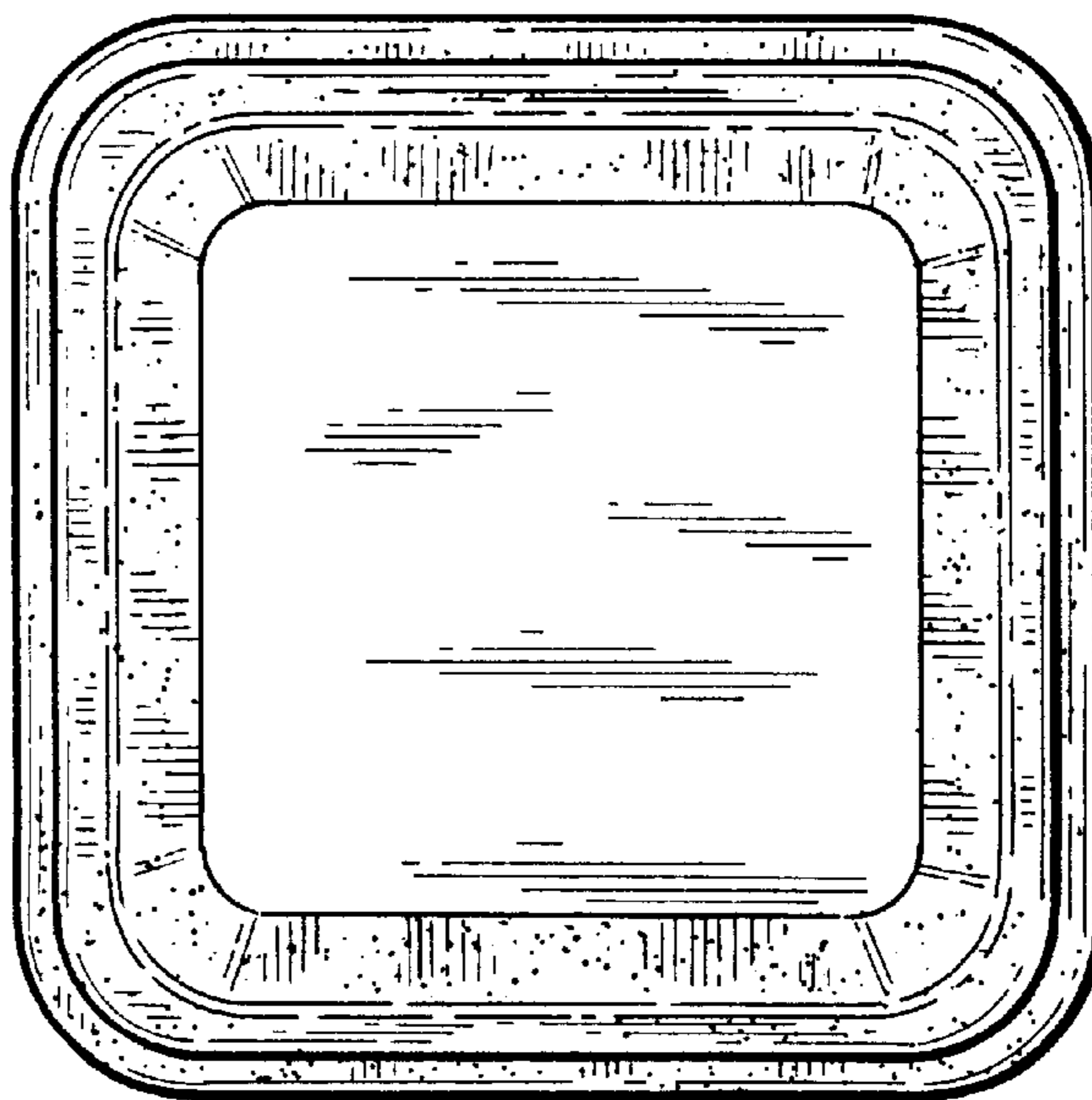


FIG. 5