



US00D424461S

United States Patent [19]
Taylor

[11] **Patent Number: Des. 424,461**

[45] **Date of Patent: ** May 9, 2000**

[54] **SENSOR**

[75] Inventor: **Steve C. Taylor**, Mississauga, Canada

[73] Assignee: **Senco Sensors Inc.**, Vancouver, Canada

[**] Term: **14 Years**

[21] Appl. No.: **29/086,411**

[22] Filed: **Apr. 13, 1998**

[30] **Foreign Application Priority Data**

Oct. 17, 1997 [CA] Canada 1997-2722

[51] **LOC (7) Cl.** **10-05**

[52] **U.S. Cl.** **D10/104**

[58] **Field of Search** D10/104, 106,
D10/116, 121; 340/321, 540, 545, 565,
566, 571, 572, 573

[56] **References Cited**

U.S. PATENT DOCUMENTS

D. 376,329 12/1996 Youabian D10/104

D. 383,689 9/1997 Issa D10/104

Primary Examiner—Marcus A. Jackson
Attorney, Agent, or Firm—Libert & Associates; Victor E. Libert

[57] **CLAIM**

The ornamental design for a sensor, as shown and described.

DESCRIPTION

FIG. 1 is a top perspective view of a first embodiment of a sensor showing my new design;

FIG. 2 is a top perspective view of the sensor of FIG. 1 in a partially open position;

FIG. 3 is a top perspective view of the sensor of FIG. 1 in a fully open position;

FIG. 4 is a side view in elevation of the sensor of FIG. 1;

FIG. 5 is a top view of the sensor of FIG. 1;

FIG. 6 is a rear elevation view of the sensor of FIG. 1;

FIG. 7 is a front elevation view of the sensor of FIG. 1;

FIG. 8 is bottom view of the sensor of FIG. 1;

FIG. 9 is a top plan view of a second embodiment of a sensor showing my new design;

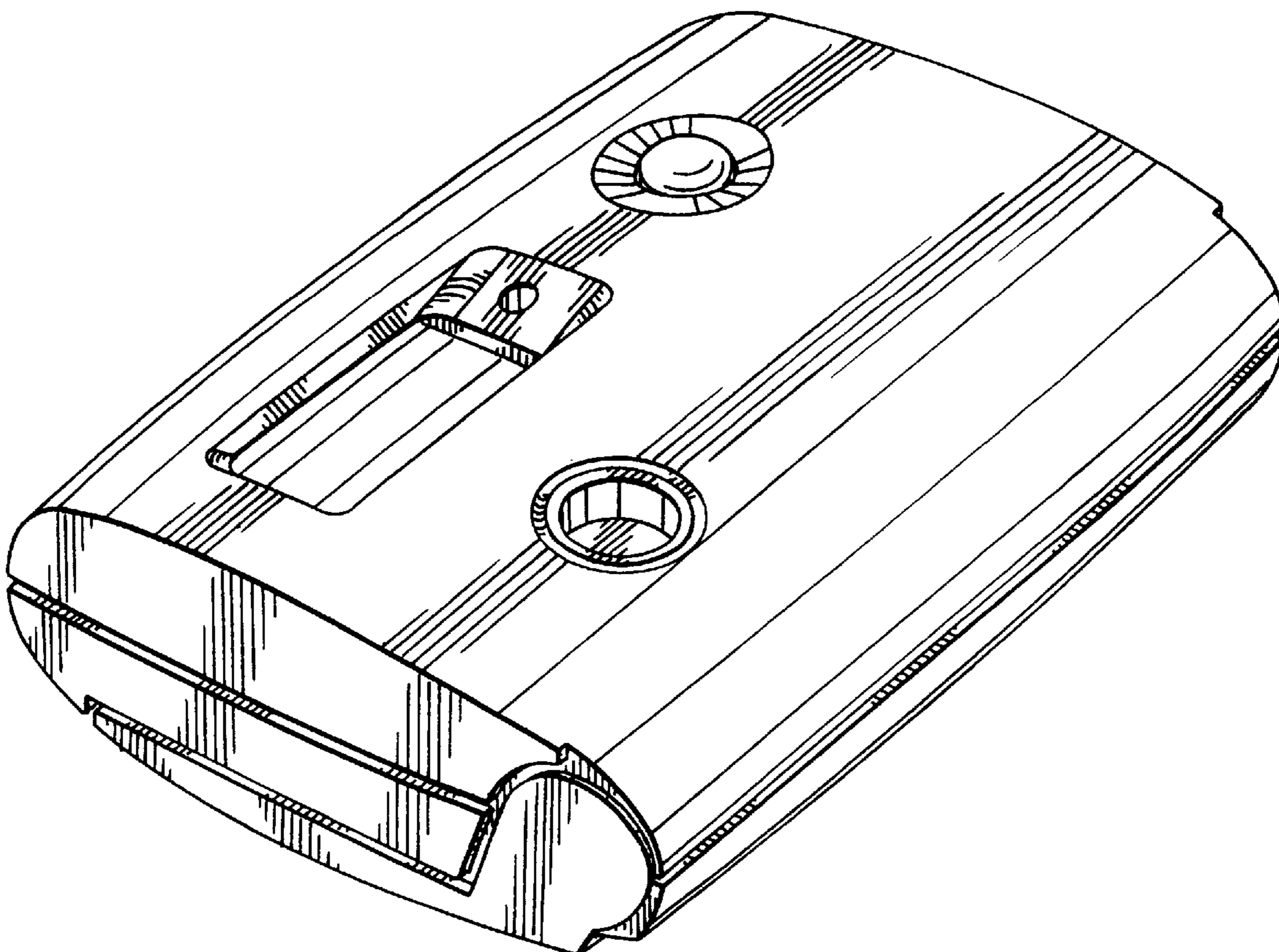
FIG. 10 is a top perspective view of the sensor of FIG. 7 in a partially open position;

FIG. 11 is a side elevation view of the sensor of FIG. 7 ;

FIG. 12 is a side elevation view of the sensor of FIG. 7 in a partially open position; and,

FIG. 13 is a side elevation view of the sensor of FIG. 7 in a fully open position.

1 Claim, 7 Drawing Sheets



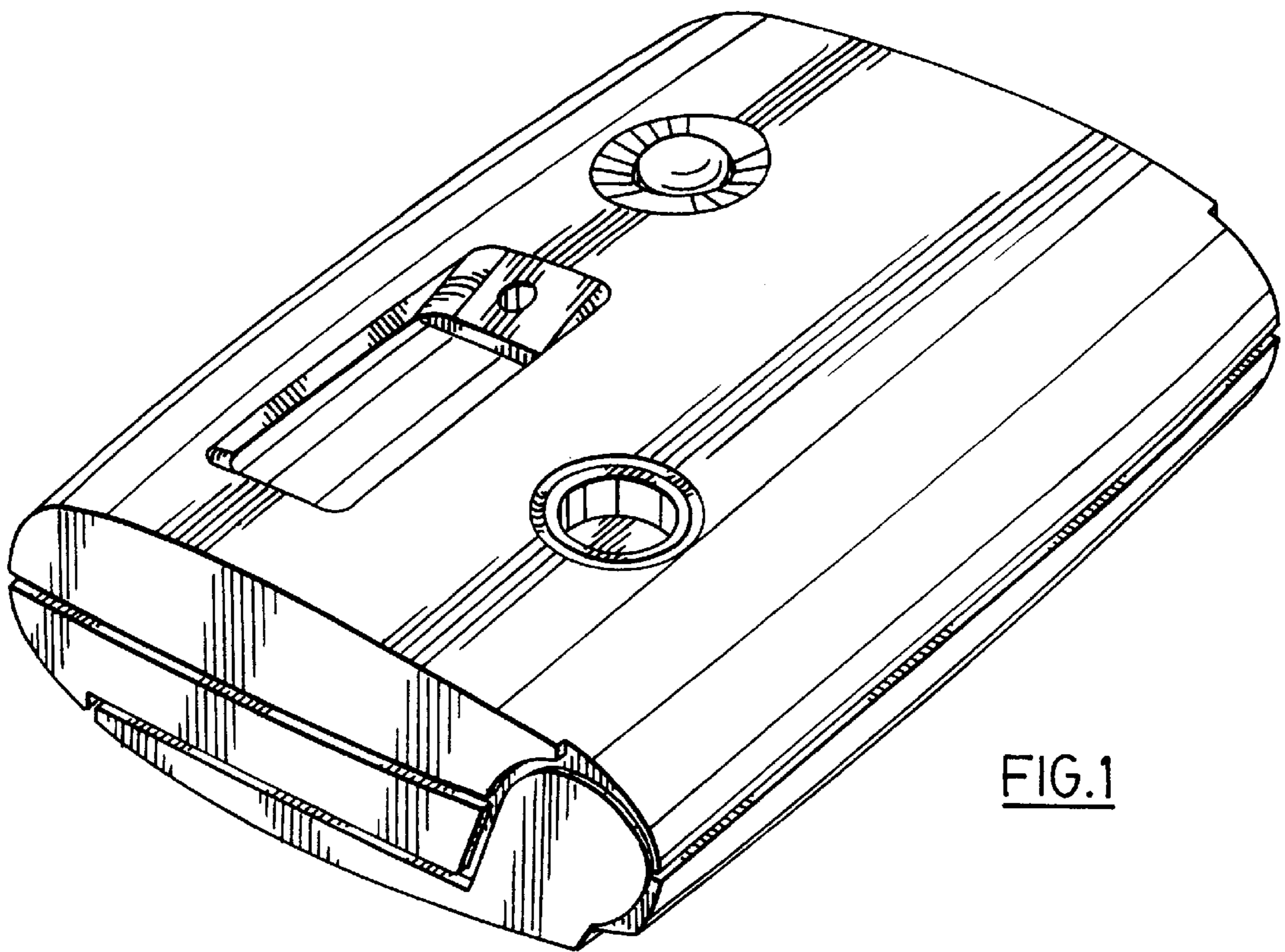


FIG.1

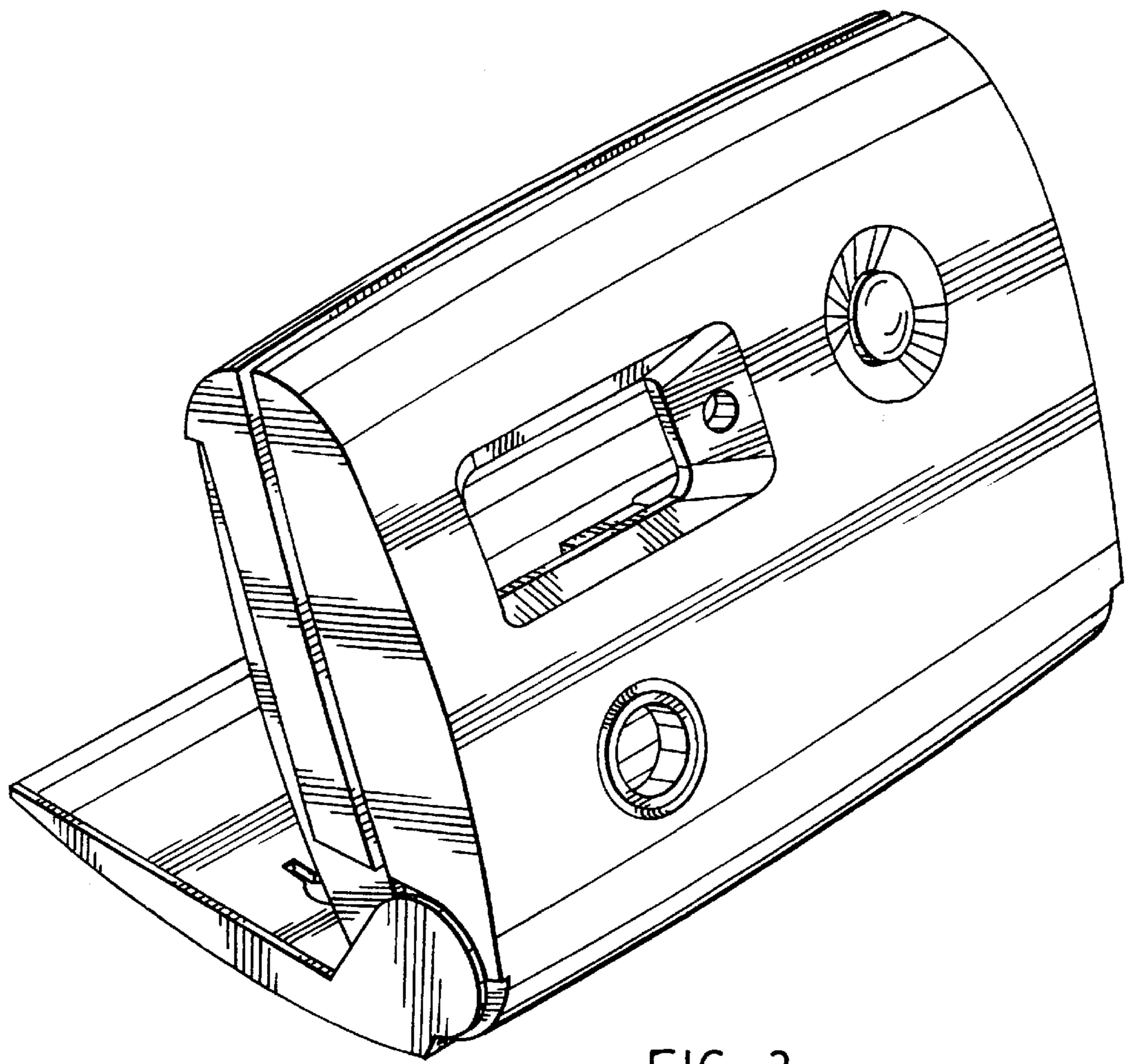


FIG. 2

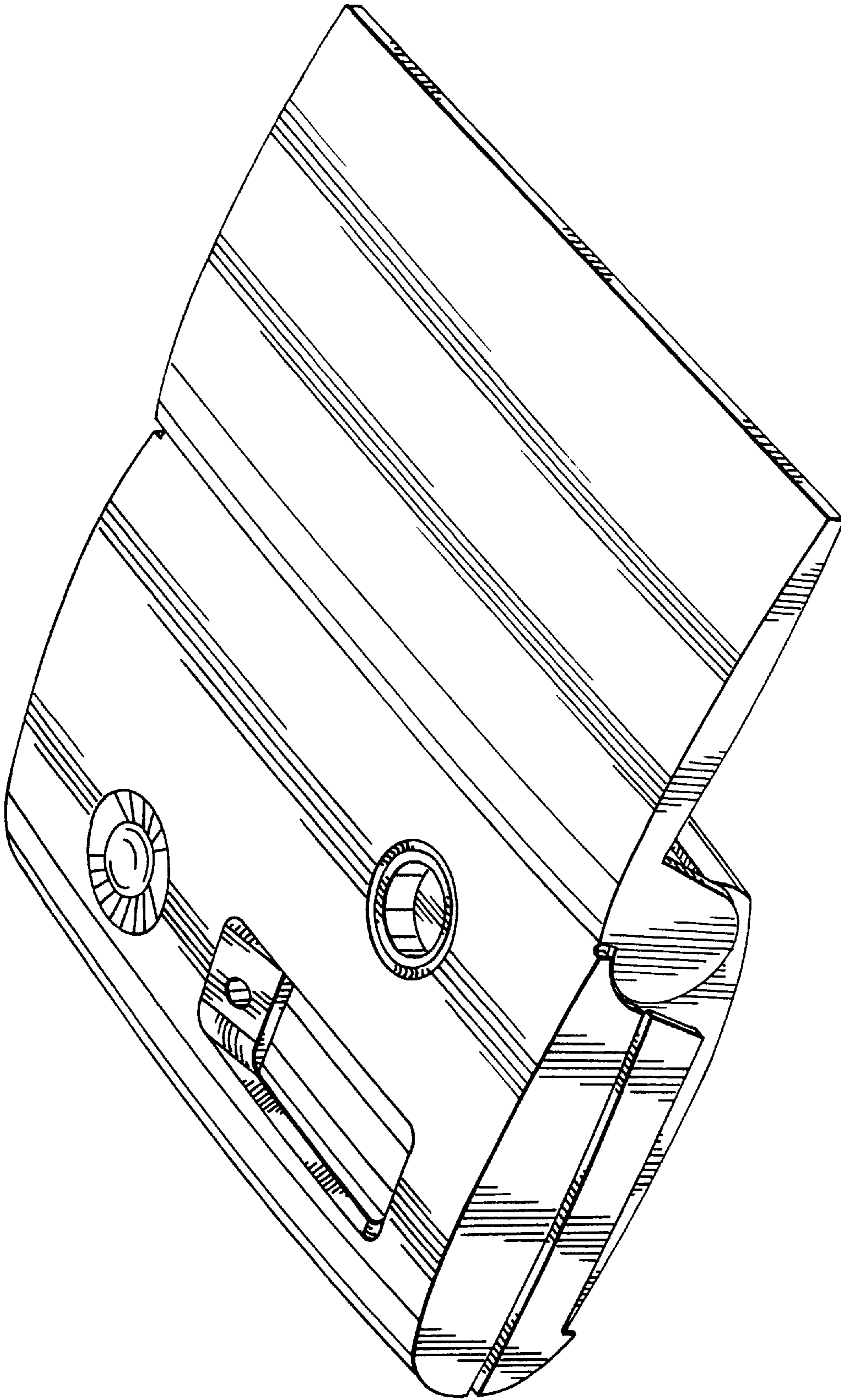


FIG. 3

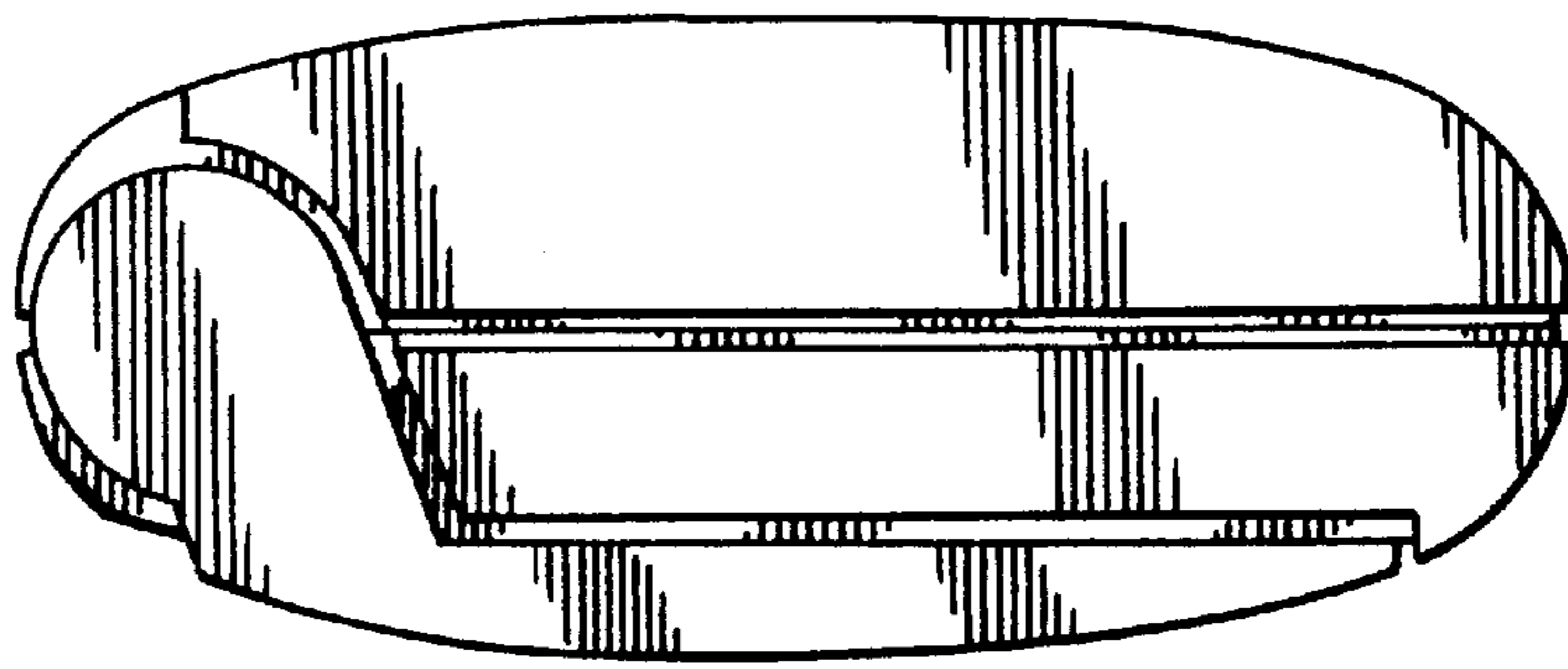


FIG. 4

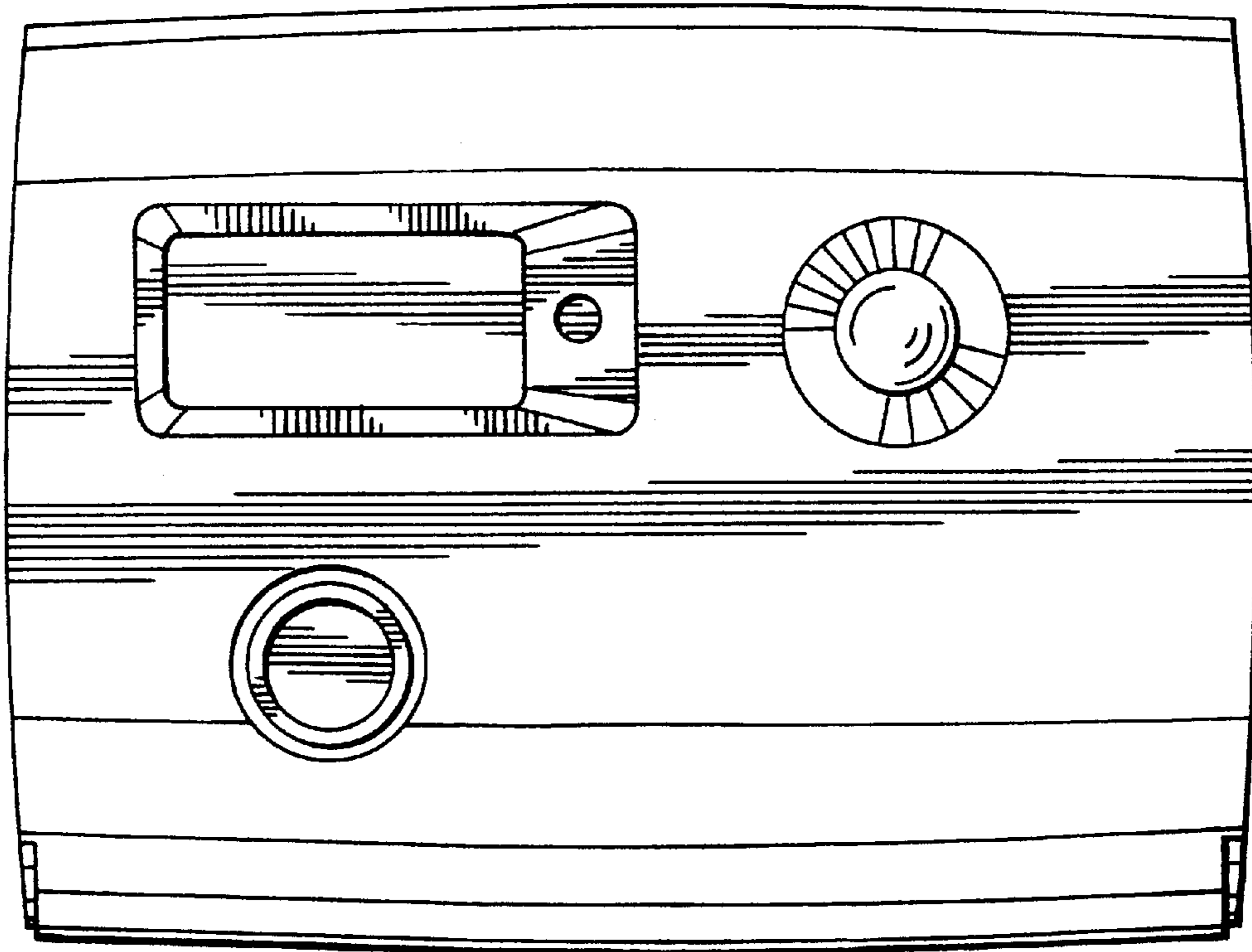


FIG. 5

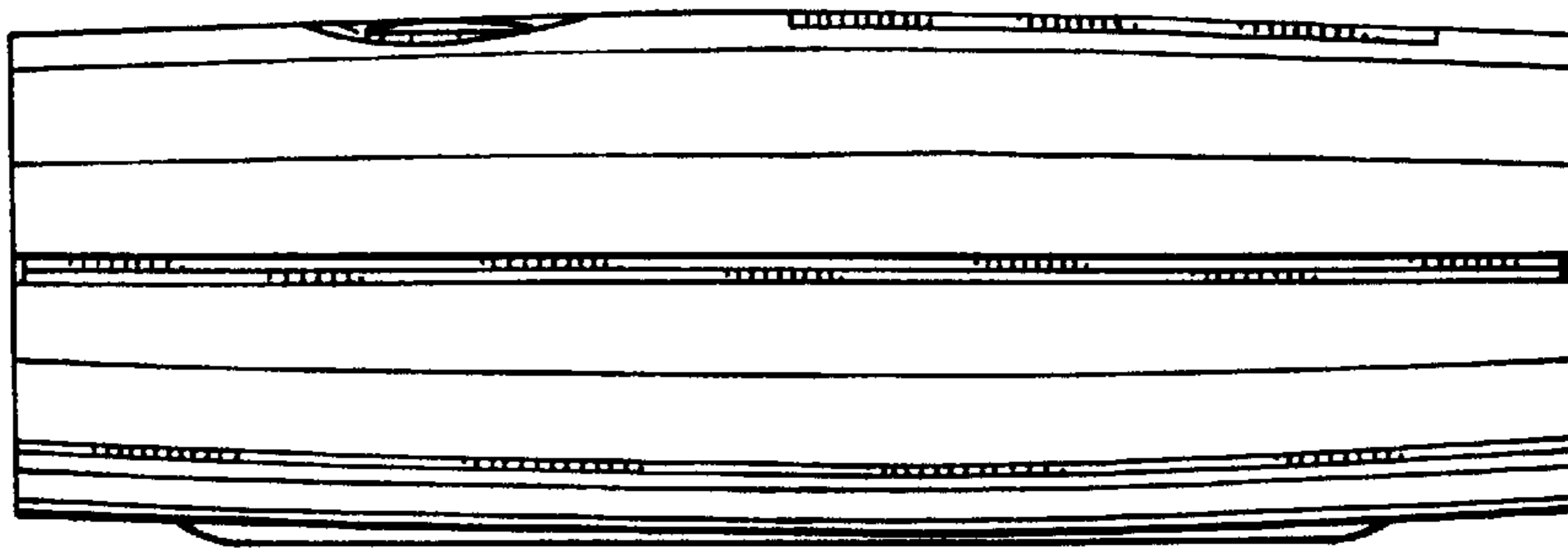


FIG. 6

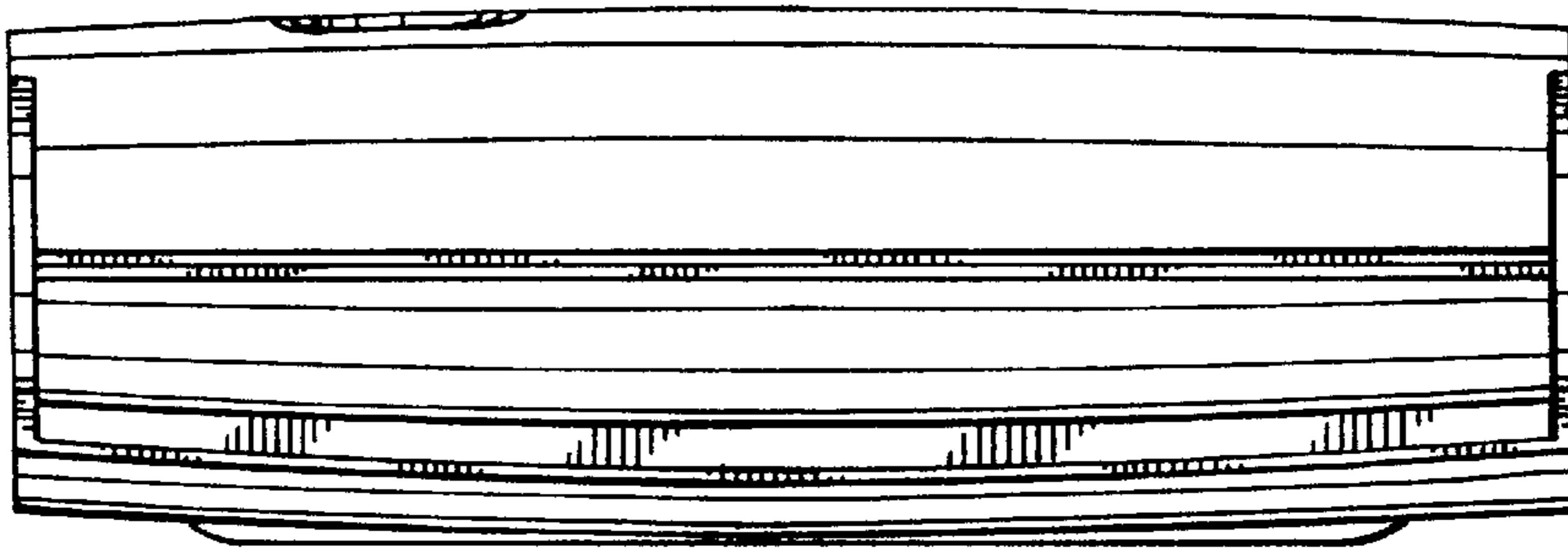


FIG. 7

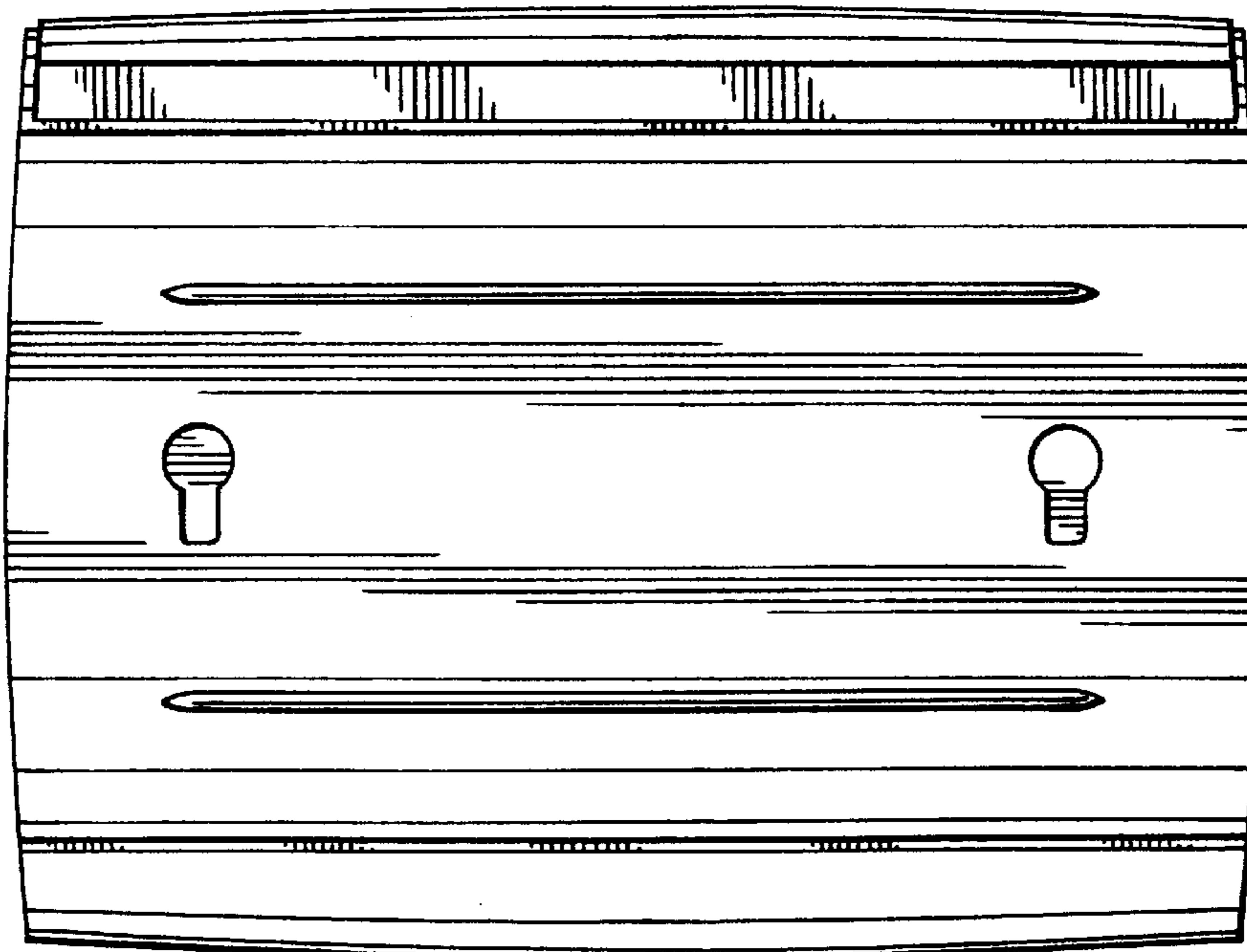


FIG. 8

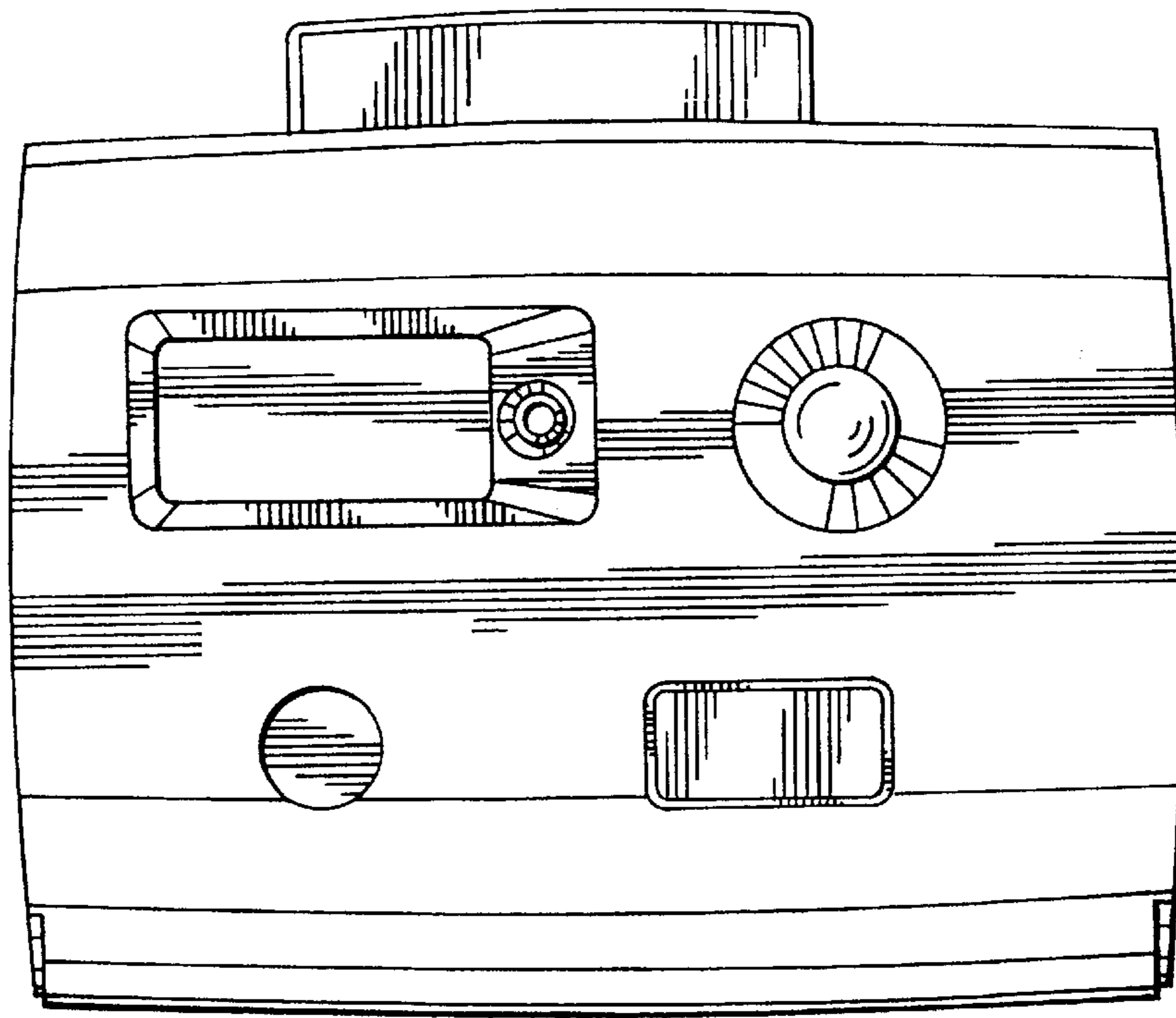


FIG. 9

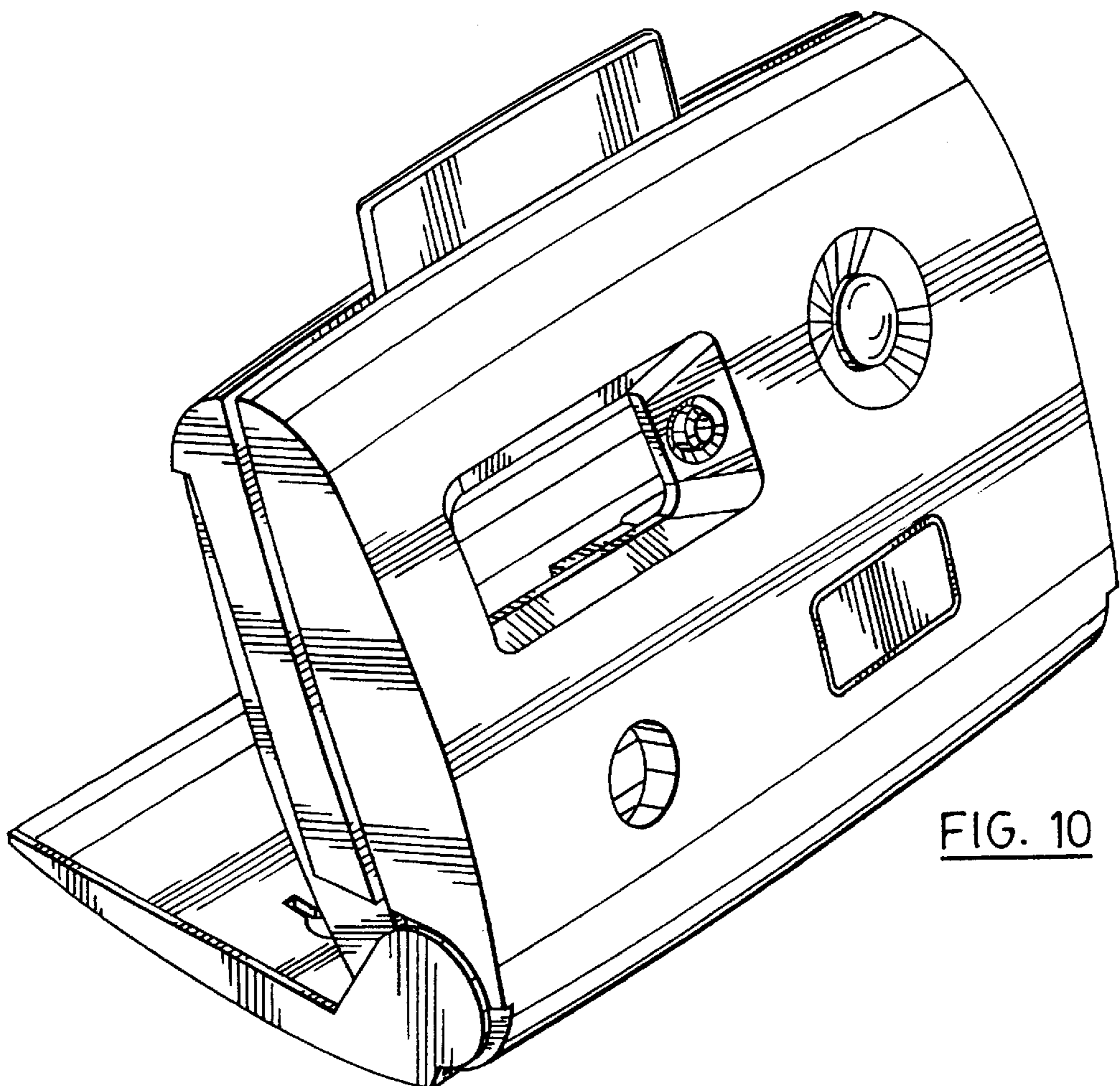


FIG. 10

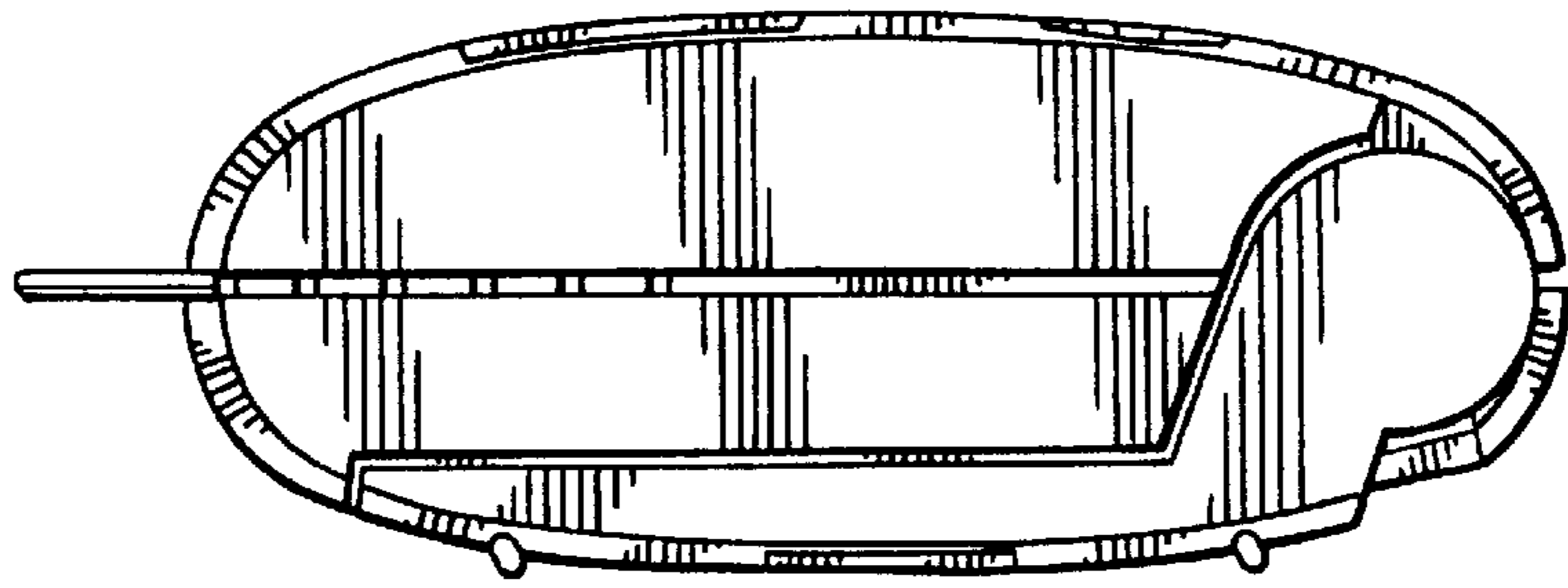


FIG. 11

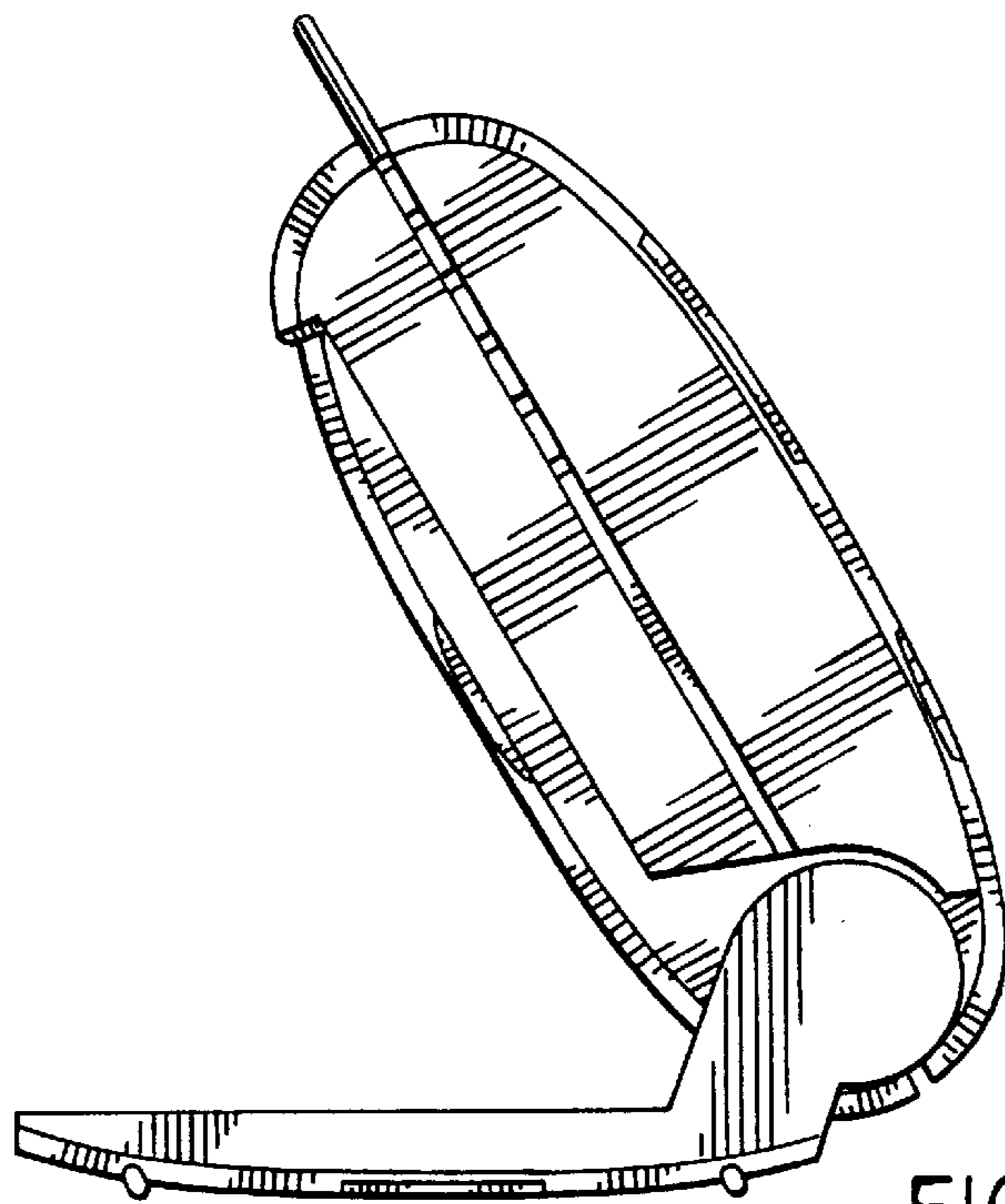


FIG. 12

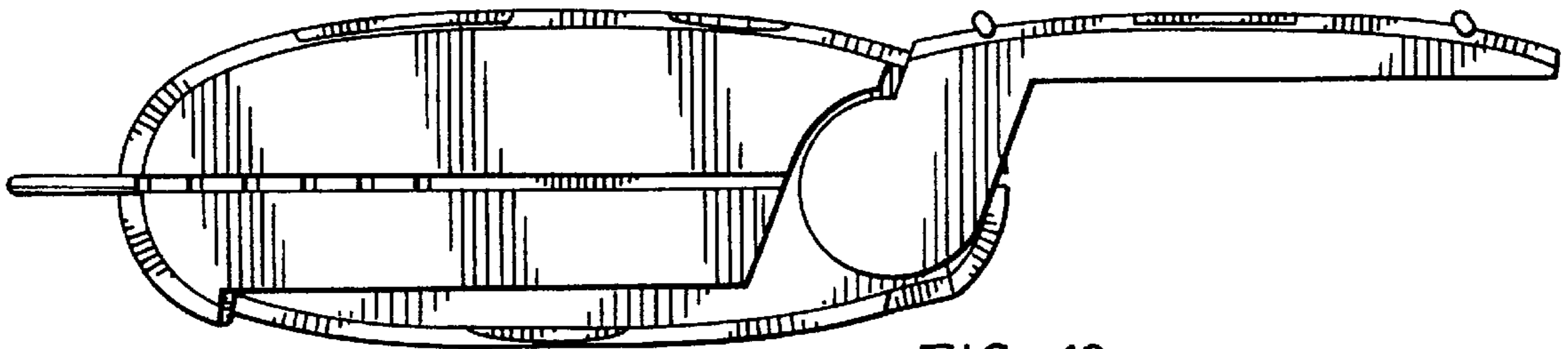


FIG. 13