



US00D424455S

**United States Patent** [19]  
**Hemmelgarn et al.**

[11] **Patent Number: Des. 424,455**  
[45] **Date of Patent: \*\* May 9, 2000**

[54] **BASE PEDESTAL FOR A COORDINATE MEASURING MACHINE**

[75] Inventors: **Thomas L. Hemmelgarn**, Vandalia;  
**Freddie L. Raleigh**, Centerville, both of Ohio

[73] Assignee: **Giddings & Lewis, Inc.**

[\*\*] Term: **14 Years**

[21] Appl. No.: **29/102,072**

[22] Filed: **Mar. 15, 1999**

**Related U.S. Application Data**

[63] Continuation-in-part of application No. 29/075,502, Aug. 18, 1997, Pat. No. Des. 406,776, and application No. 29/075,416, Aug. 18, 1997, Pat. No. Des. 407,336.

[51] **LOC (7) Cl.** ..... **10-04**

[52] **U.S. Cl.** ..... **D10/74**

[58] **Field of Search** ..... D10/74, 103; D13/184, D13/199; 33/503, 567, 1 AA, 573, 349; D14/114, 217, 199; D15/141; 248/637, 673, 677-679, 903

[56] **References Cited**

**U.S. PATENT DOCUMENTS**

- D. 406,776 3/1999 Hemmelgarn et al. .... D10/74
- D. 407,336 3/1999 Hemmelgarn et al. .... D10/74

*Primary Examiner*—Antoine Duval Davis  
*Attorney, Agent, or Firm*—Foley & Lardner

[57] **CLAIM**

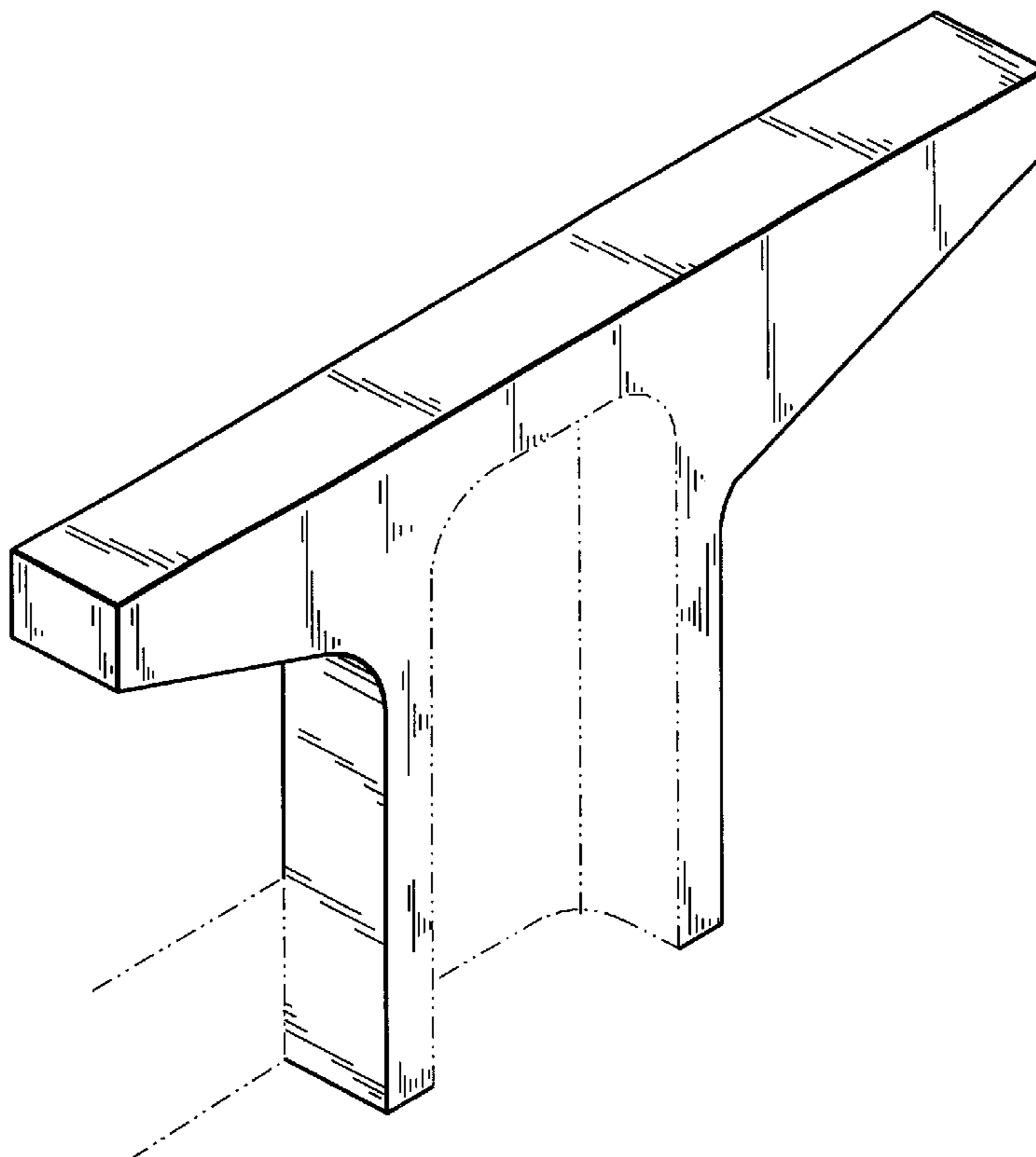
The ornamental design for a base pedestal for a coordinate measuring machine, as shown and described.

**DESCRIPTION**

FIG. 1 is a perspective view of a base pedestal for a coordinate measuring machine of the claimed design; FIG. 2 is a top plan view of the base pedestal of FIG. 1; FIG. 3 is a front elevational view of the base pedestal of FIG. 1; FIG. 4 is a right side elevational view of the base pedestal of FIG. 1; FIG. 5 is a left side elevational view of the base pedestal of FIG. 1; FIG. 6 is a rear elevational view of the base pedestal of FIG. 1; FIG. 7 is a perspective view of a second embodiment of a base pedestal for a coordinate measuring machine of the claimed design; FIG. 8 is a top plan view of the base pedestal of FIG. 7; FIG. 9 is a front elevational view of the base pedestal of FIG. 7; FIG. 10 is a left side elevational view of the base pedestal of FIG. 7; FIG. 11 is a right side elevational view of the base pedestal of FIG. 7; and, FIG. 12 is a rear elevational view of the base pedestal of FIG. 7.

The ornamental design which is claimed is shown in solid lines in the drawings. The broken lines in the drawings are for illustrative purposes only and form no part of the claimed design.

**1 Claim, 4 Drawing Sheets**



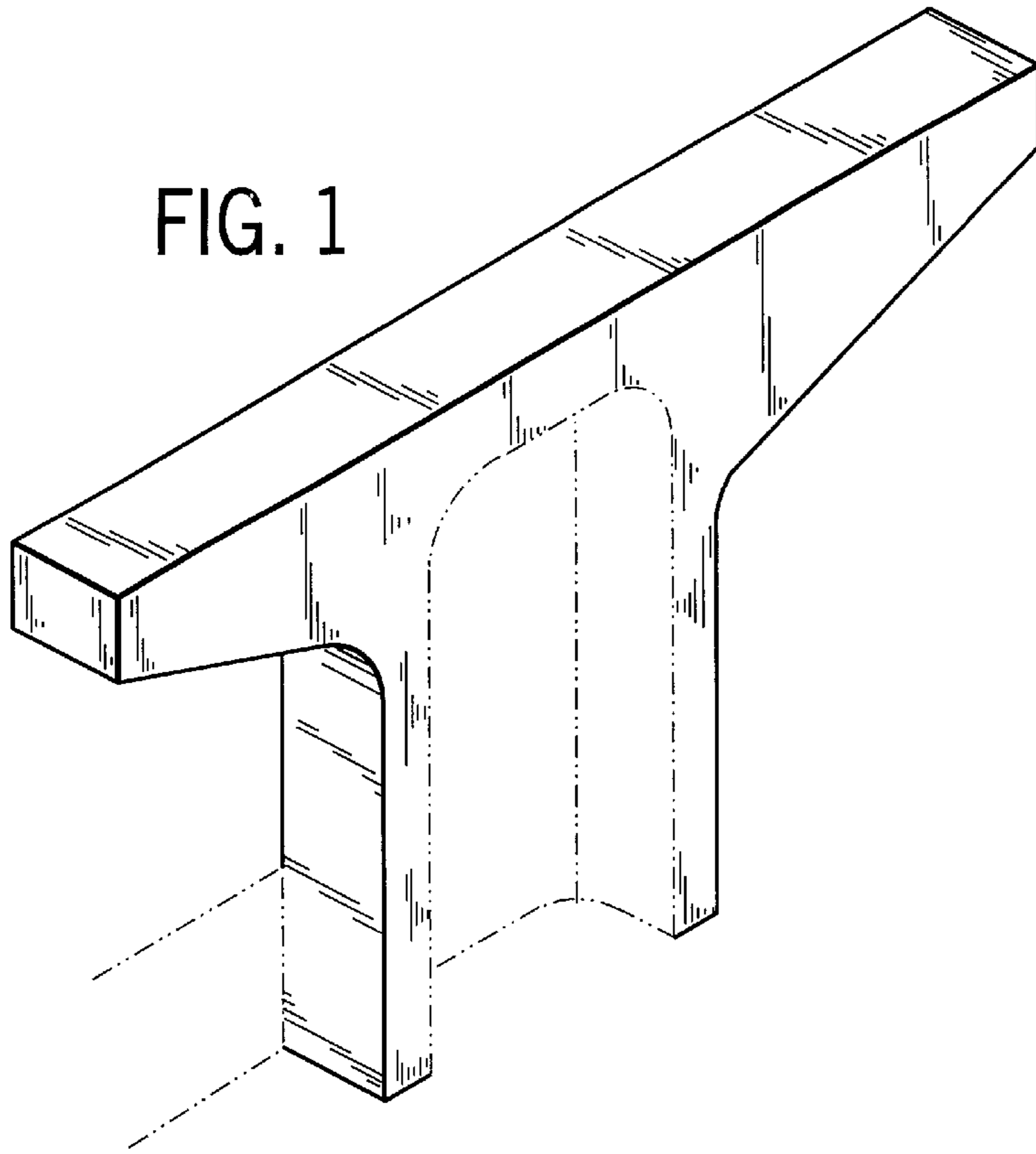


FIG. 1

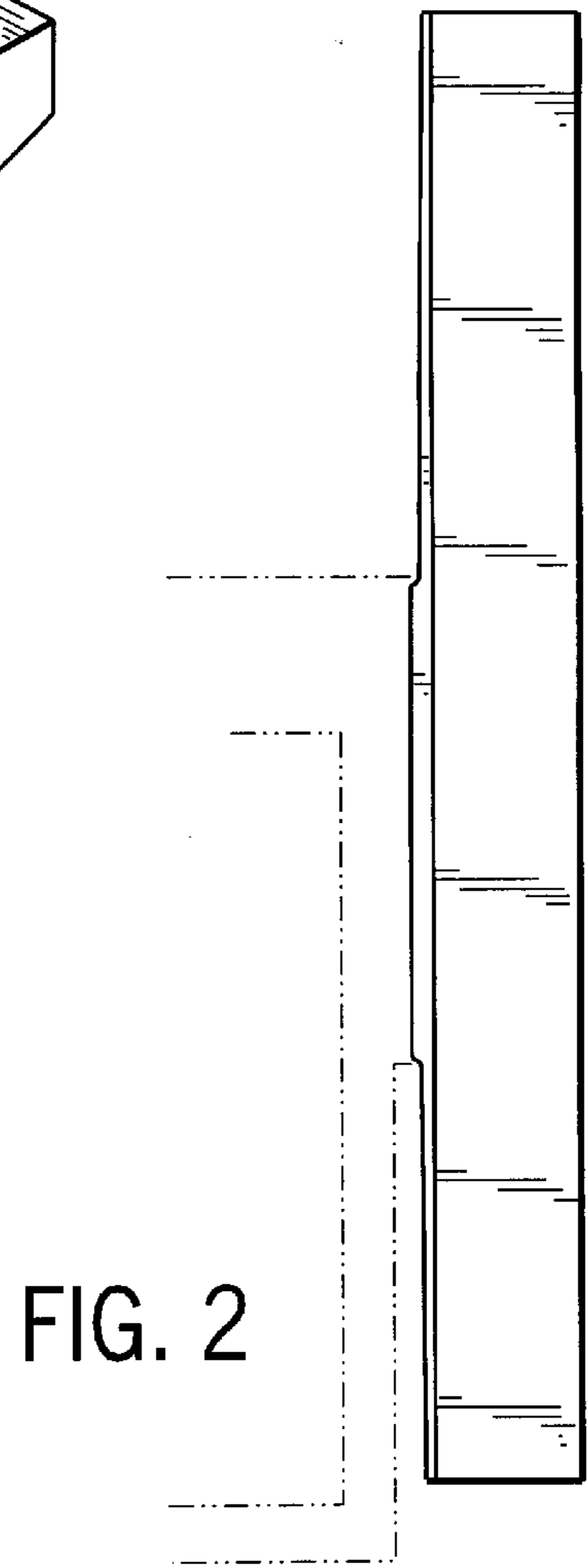


FIG. 2

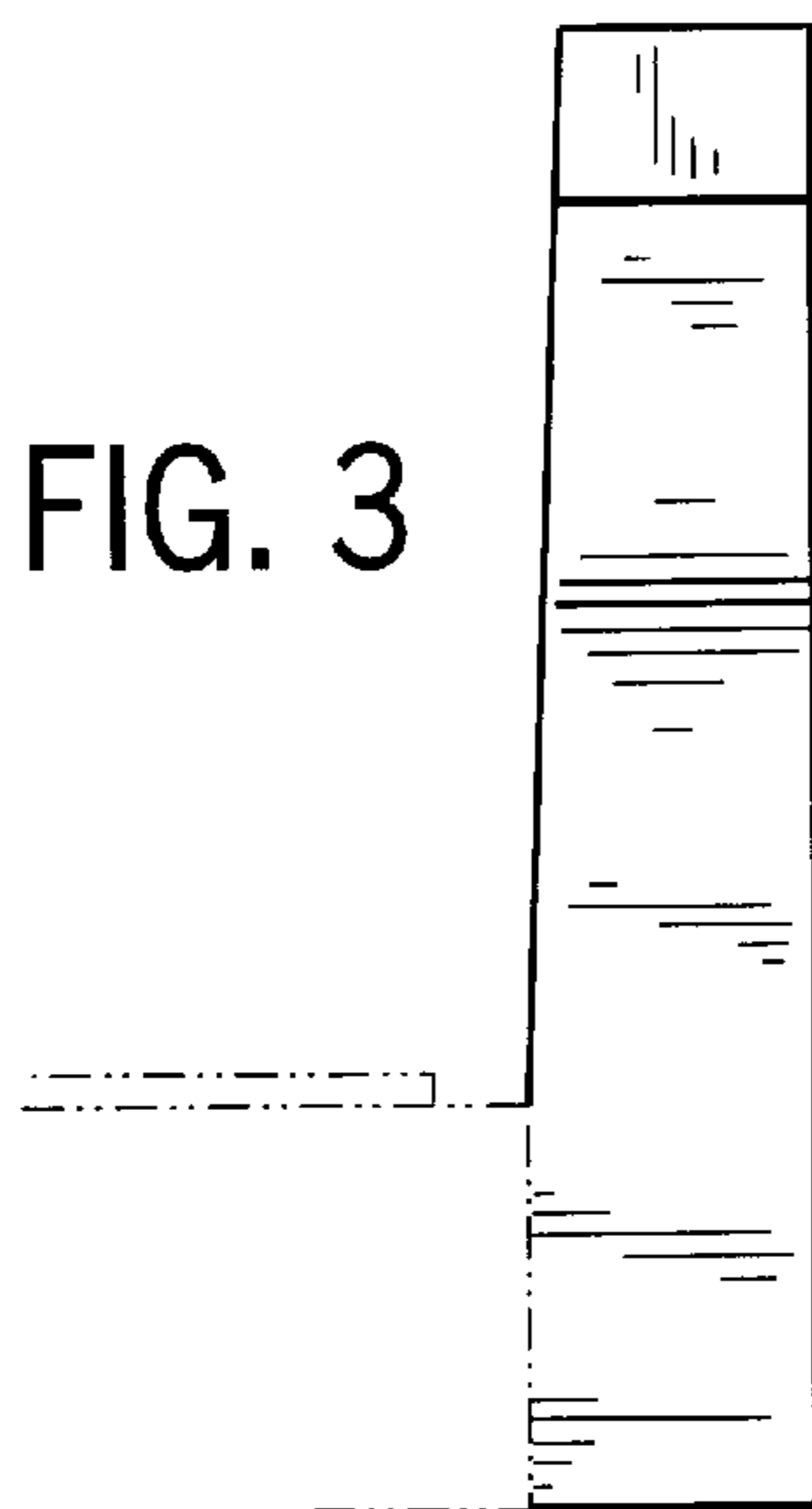


FIG. 3

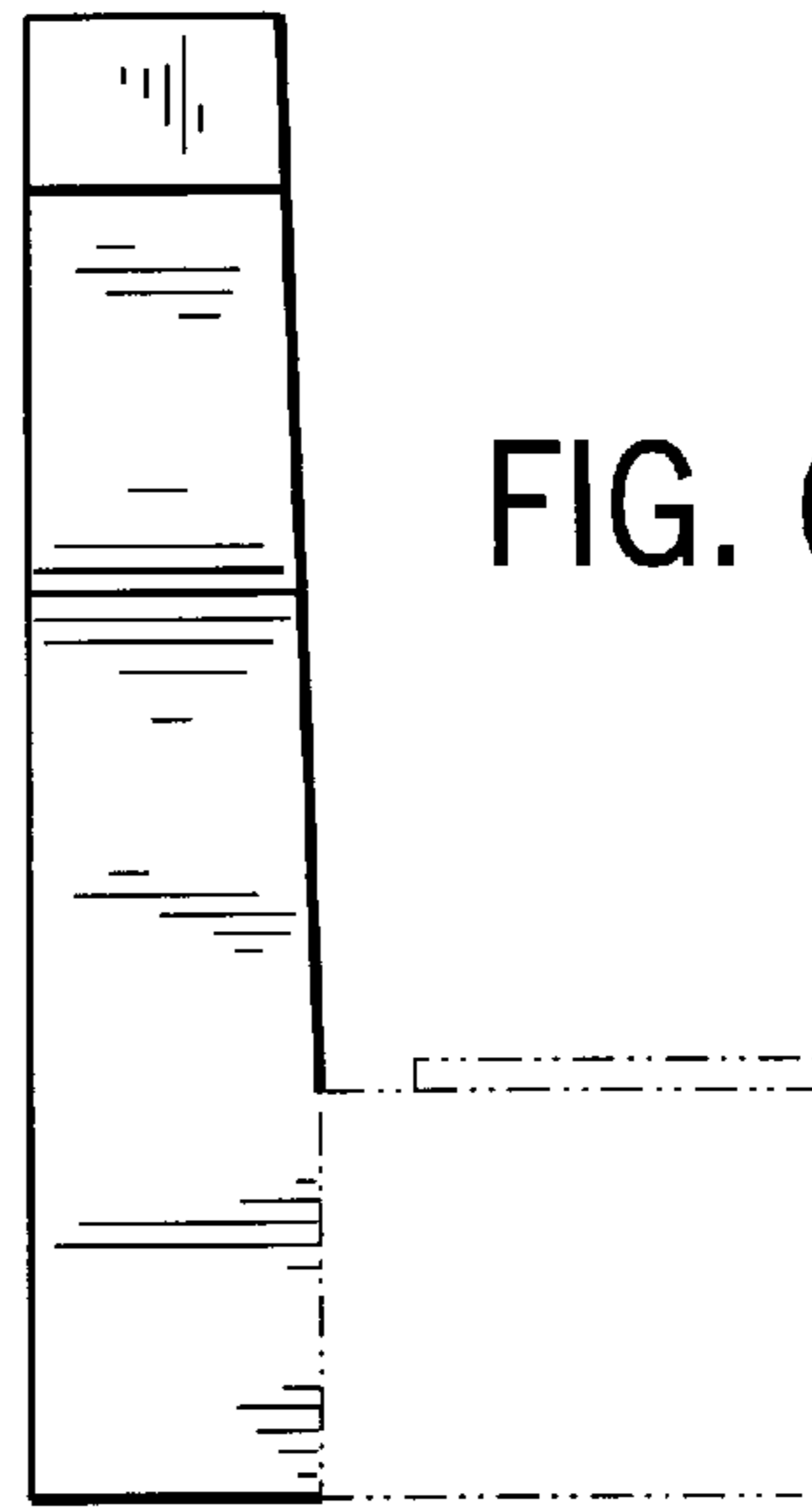


FIG. 6

FIG. 4

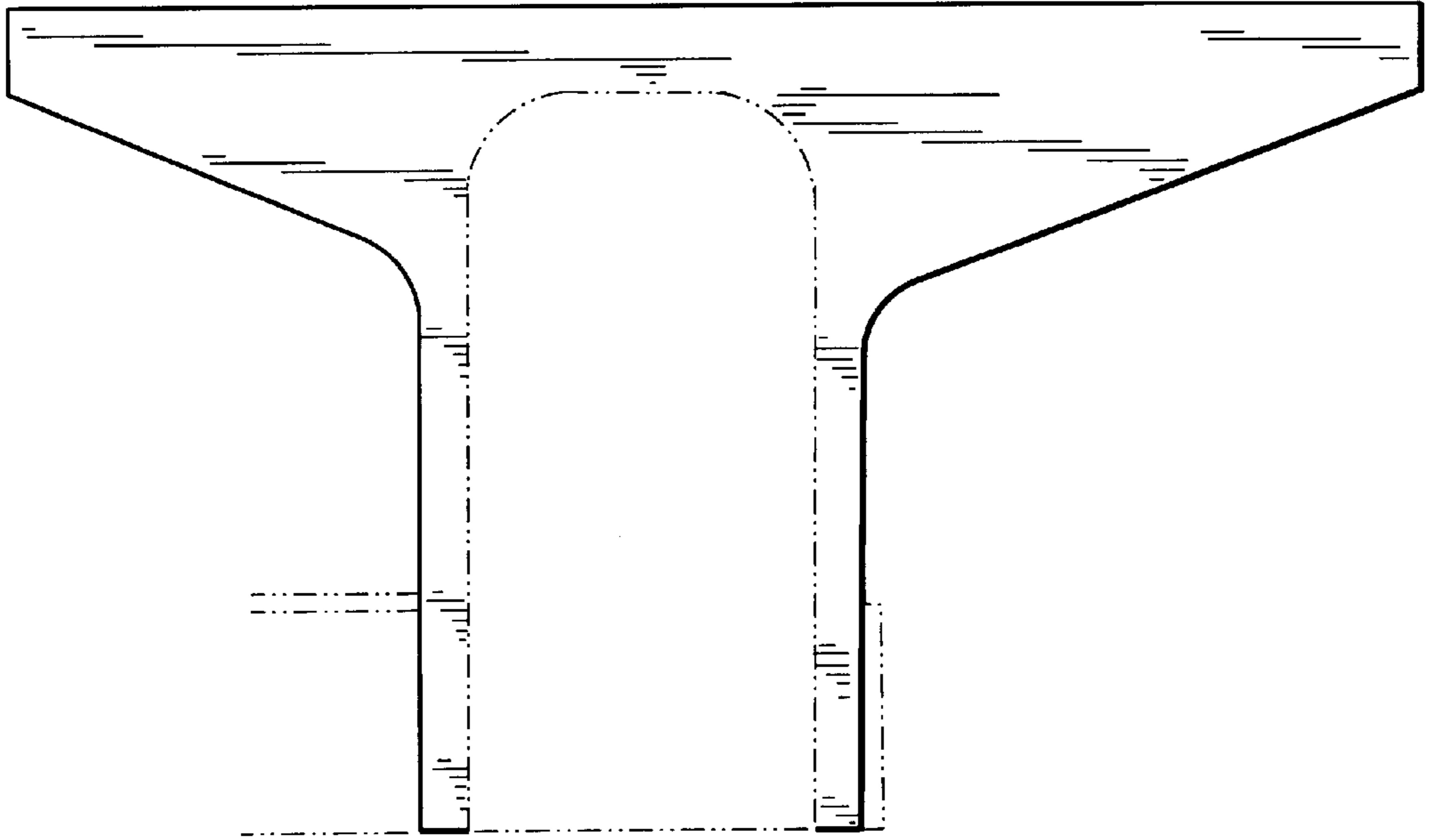
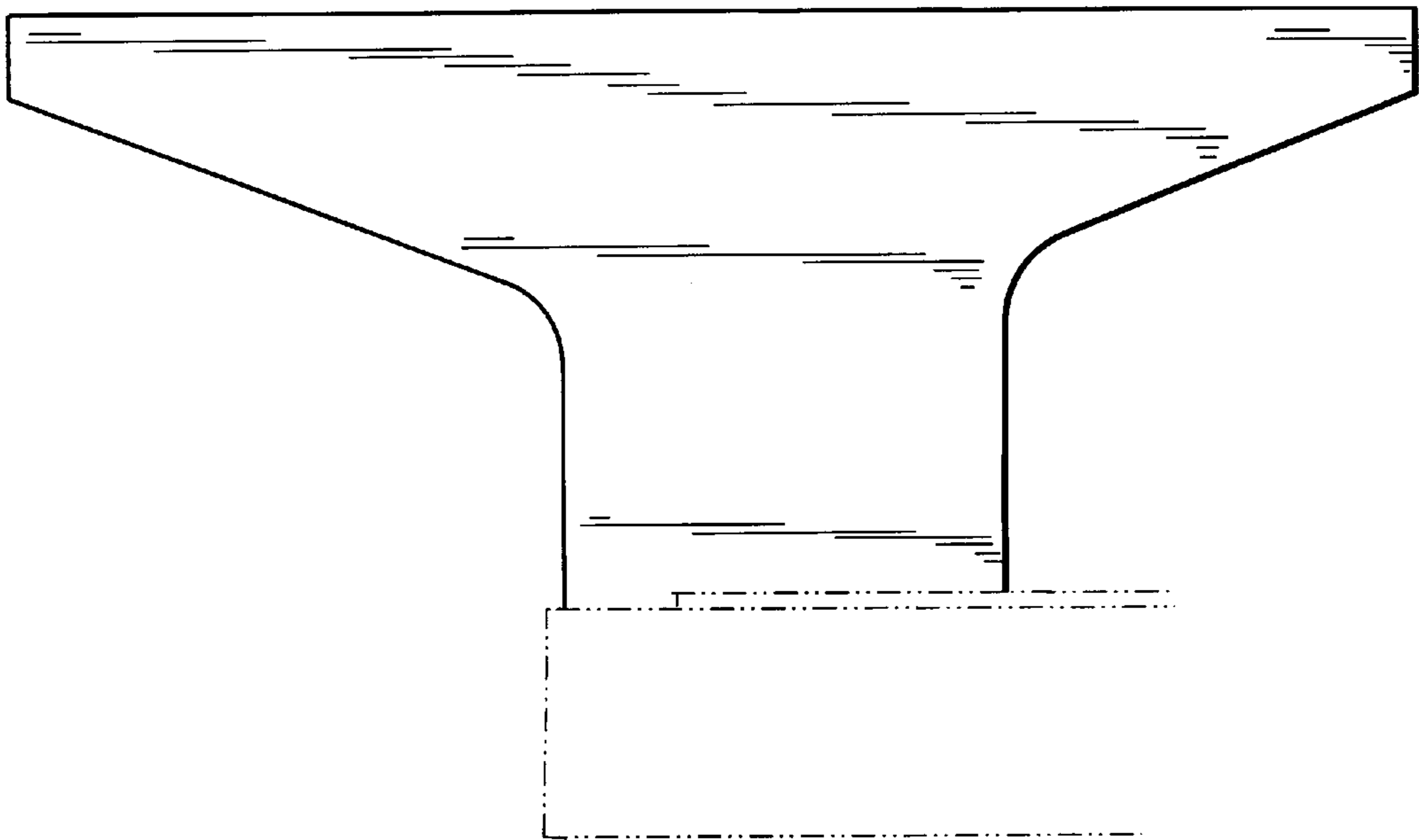


FIG. 5



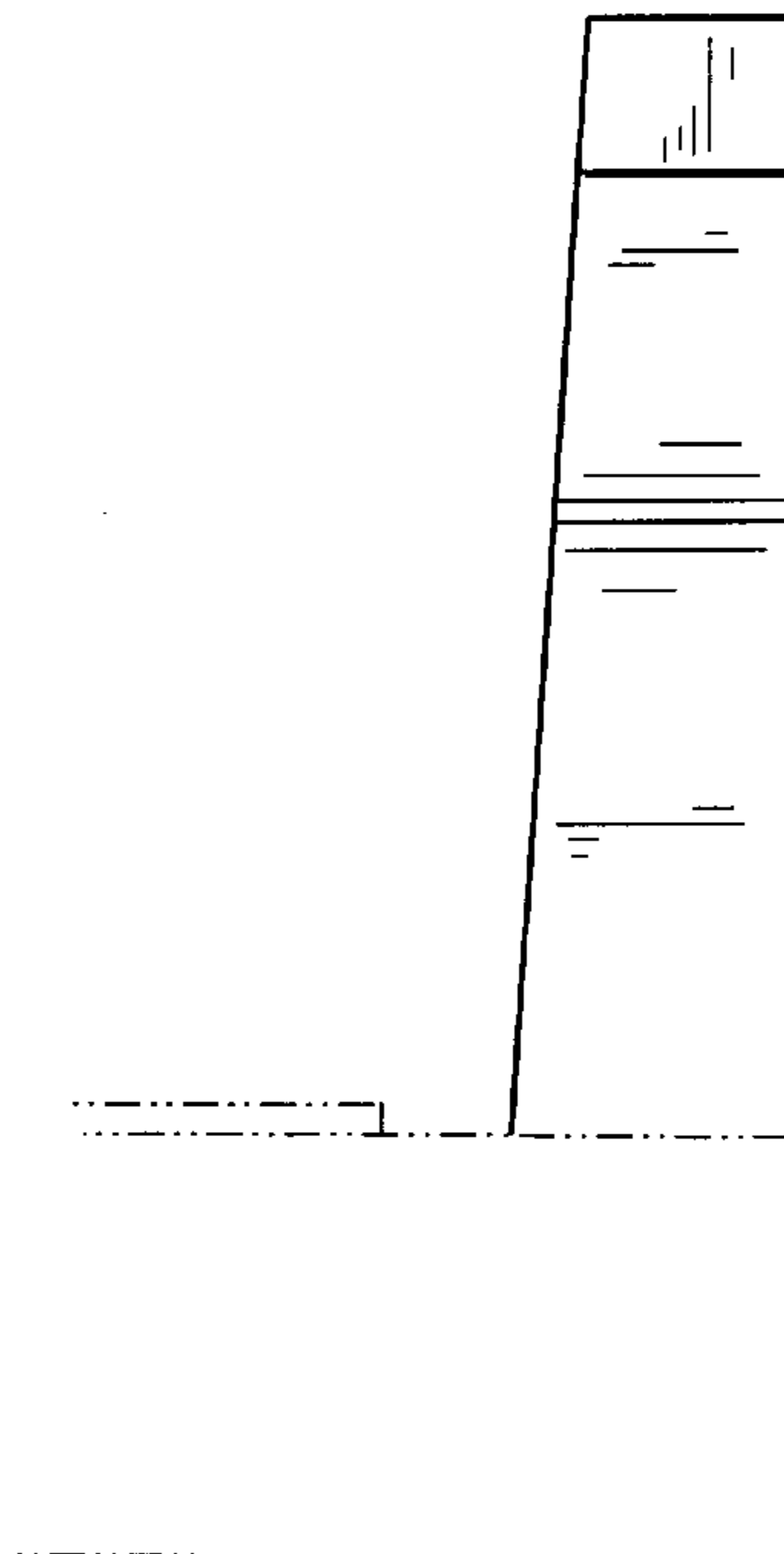
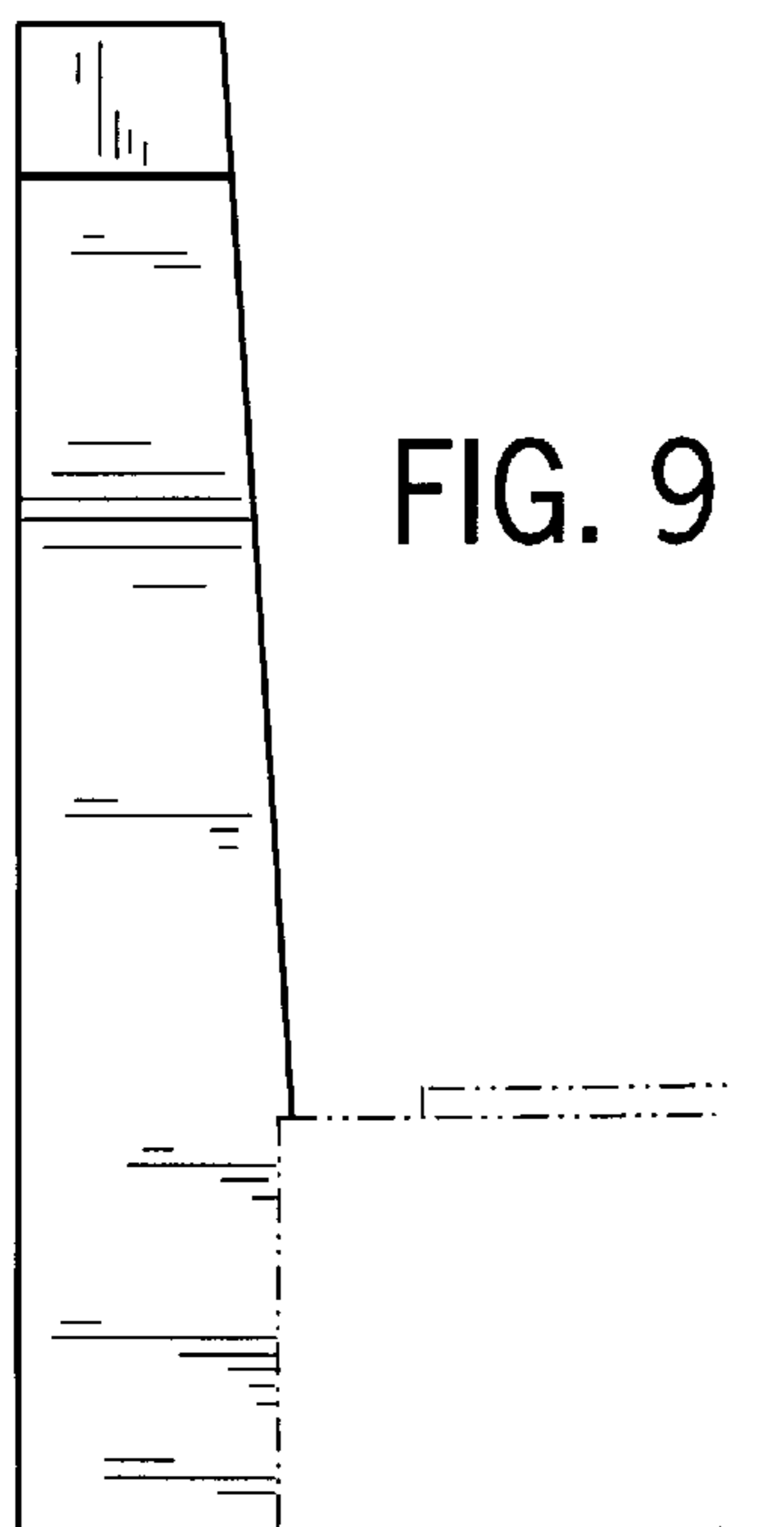
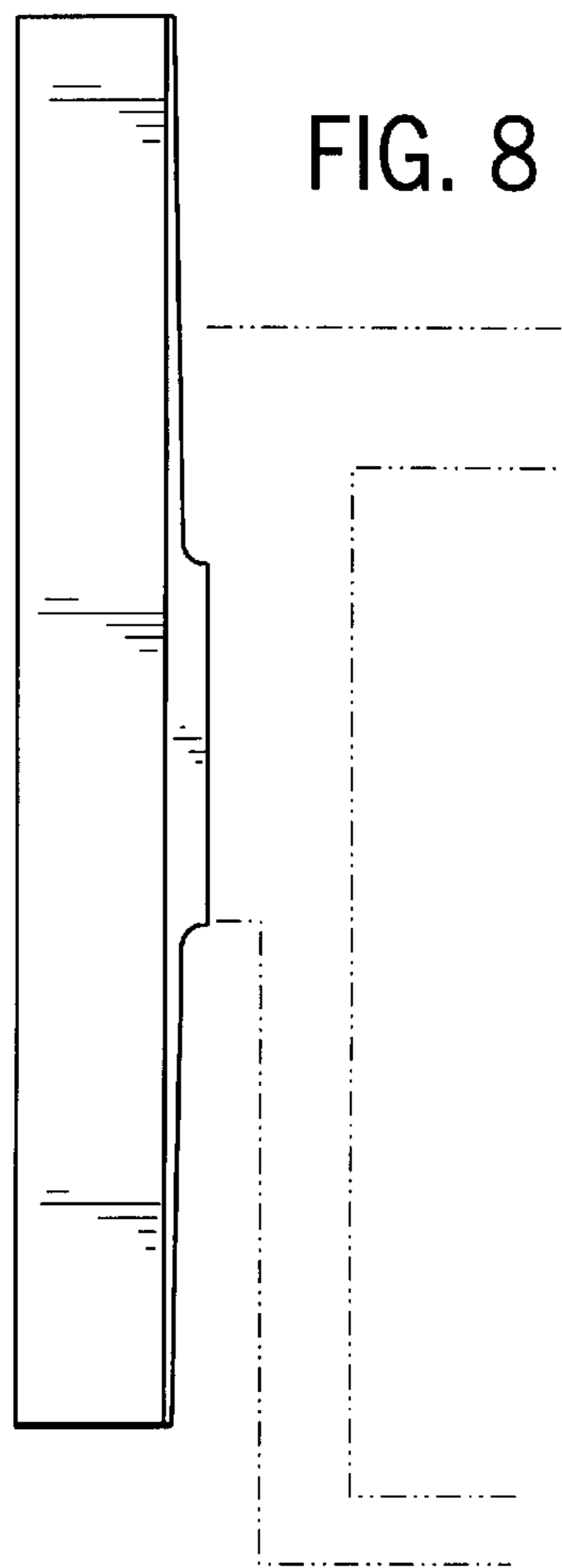
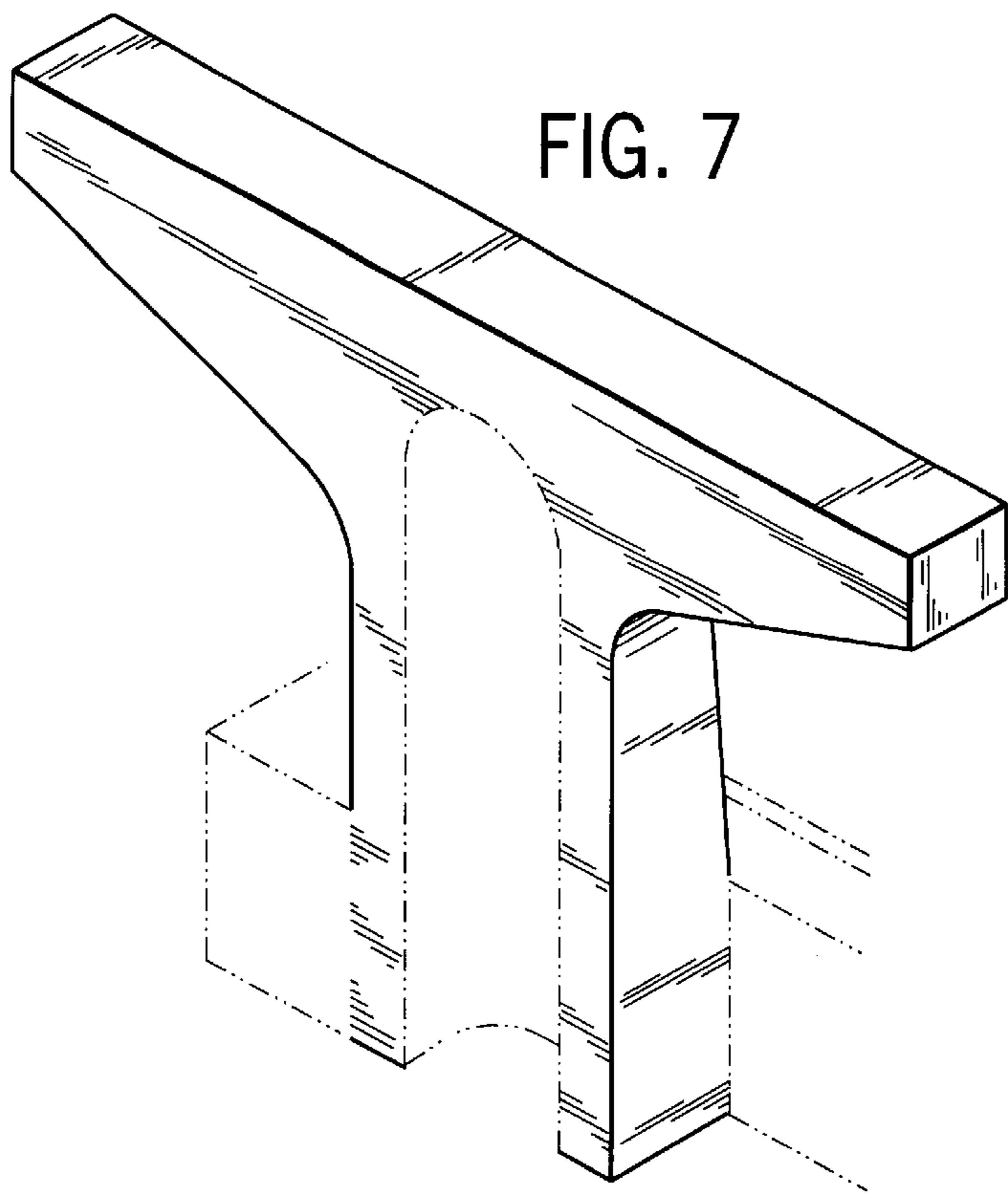


FIG. 10

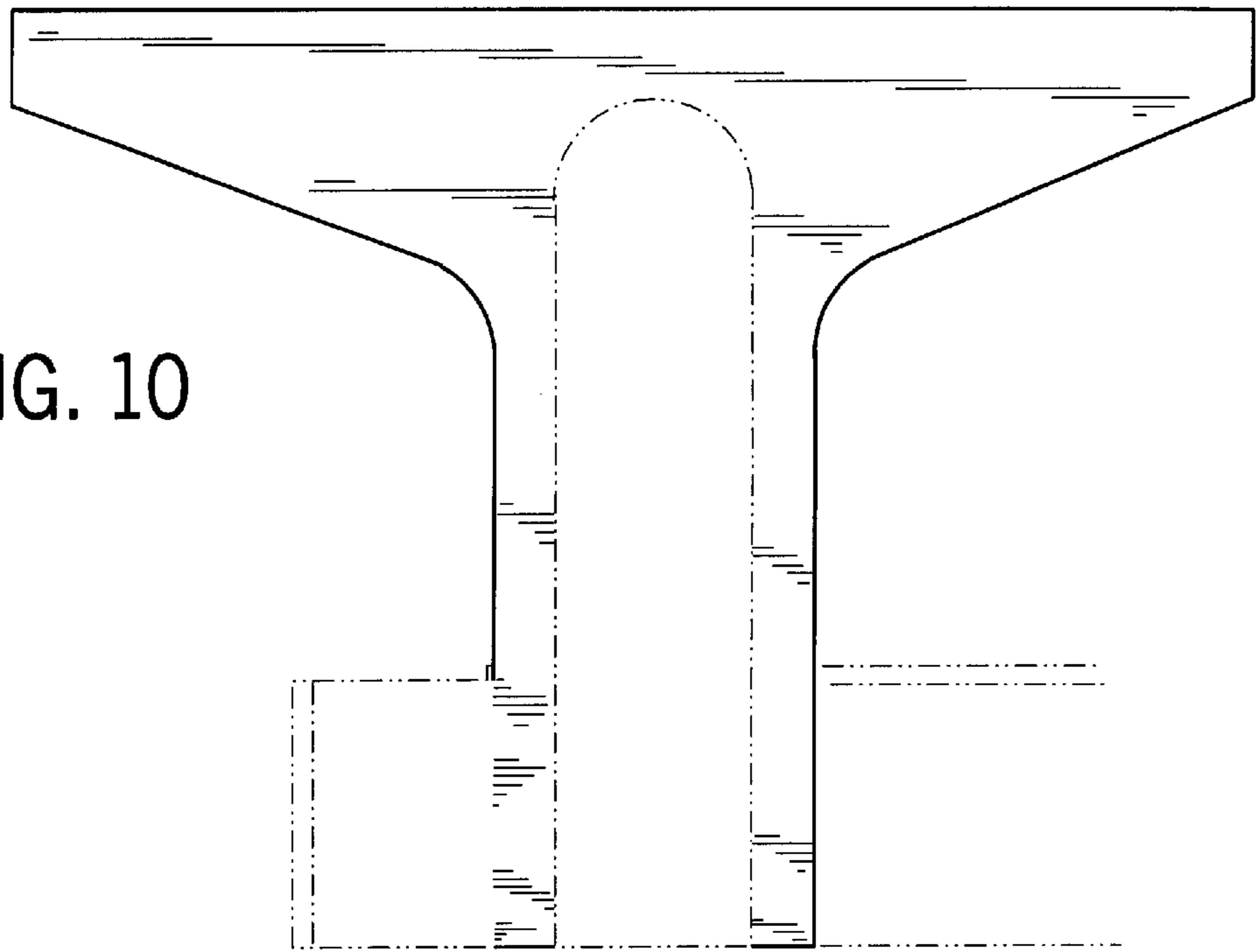


FIG. 11

