



US00D424447S

United States Patent [19] Knobel

[11] Patent Number: **Des. 424,447**

[45] Date of Patent: **** May 9, 2000**

[54] **BOTTLE**

[75] Inventor: **Henning Knobel**, Hafrsfjord, Norway

[73] Assignee: **Den Norske Stats Oljeselskap A.S.**,
Norway

[**] Term: **14 Years**

[21] Appl. No.: **29/093,404**

[22] Filed: **Sep. 10, 1998**

[30] Foreign Application Priority Data

May 5, 1998 [NO] Norway 980325

[51] **LOC (7) Cl.** **09-01**

[52] **U.S. Cl.** **D9/528**

[58] **Field of Search** D9/500, 502-503,
D9/507-508, 510, 516, 520, 522, 527-528,
530-531, 533, 546, 551, 554, 557, 559,
564, 569, 572-573; 215/370-375, 382-385,
396, 398; 220/771-772

[56] References Cited

U.S. PATENT DOCUMENTS

D. 276,890 12/1984 Hancher D9/528

| | | | | |
|------------|---------|-------------------|-------|---------|
| D. 312,396 | 11/1990 | Lunderman | | D9/546 |
| D. 312,570 | 12/1990 | Lunderman | | D9/546 |
| D. 333,618 | 3/1993 | Patel et al. | | D9/572 |
| D. 355,365 | 2/1995 | Carbonneau et al. | | D9/528 |
| 3,201,111 | 8/1965 | Afton | | 215/383 |
| 4,016,995 | 4/1977 | Frazer | | 215/398 |
| 5,165,557 | 11/1992 | Ota et al. | | 215/384 |
| 5,322,184 | 6/1994 | Bergner et al. | | 215/398 |
| 5,413,232 | 5/1995 | Bergner et al. | | 215/398 |

Primary Examiner—Ted Shooman
Assistant Examiner—Carol Rademaker
Attorney, Agent, or Firm—Gifford, Krass, Groh, Sprinkle,
Anderson & Citkowski, P.C.

[57] CLAIM

The ornamental design for a bottle, as shown and described.

DESCRIPTION

FIG. 1 is a left side view of a bottle showing my new design;
FIG. 2 is a front view thereof;
FIG. 3 is a right side view thereof;
FIG. 4 is a rear view thereof;
FIG. 5 is a top plan view thereof; and,
FIG. 6 is a bottom plan view thereof.

1 Claim, 5 Drawing Sheets

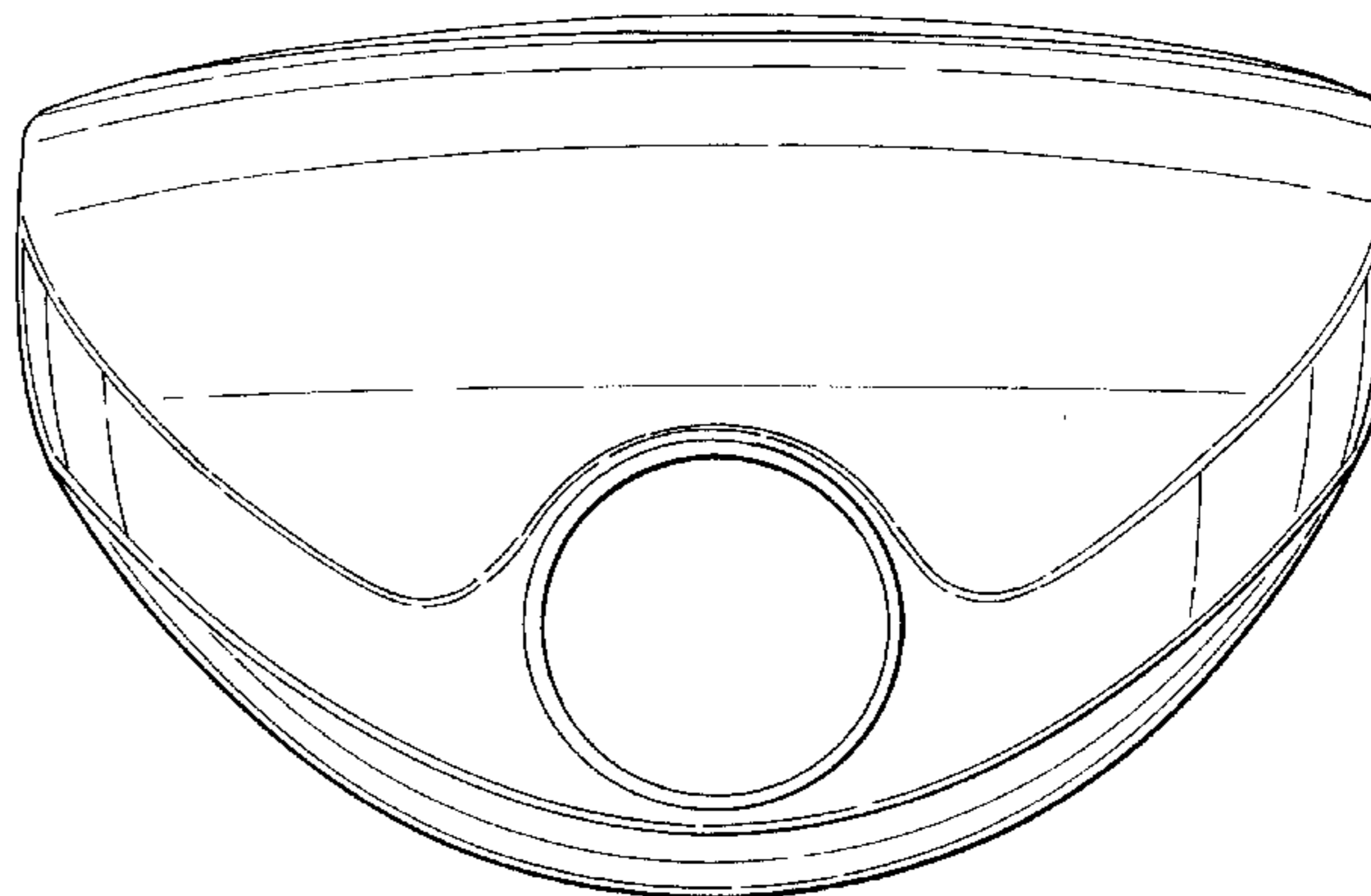
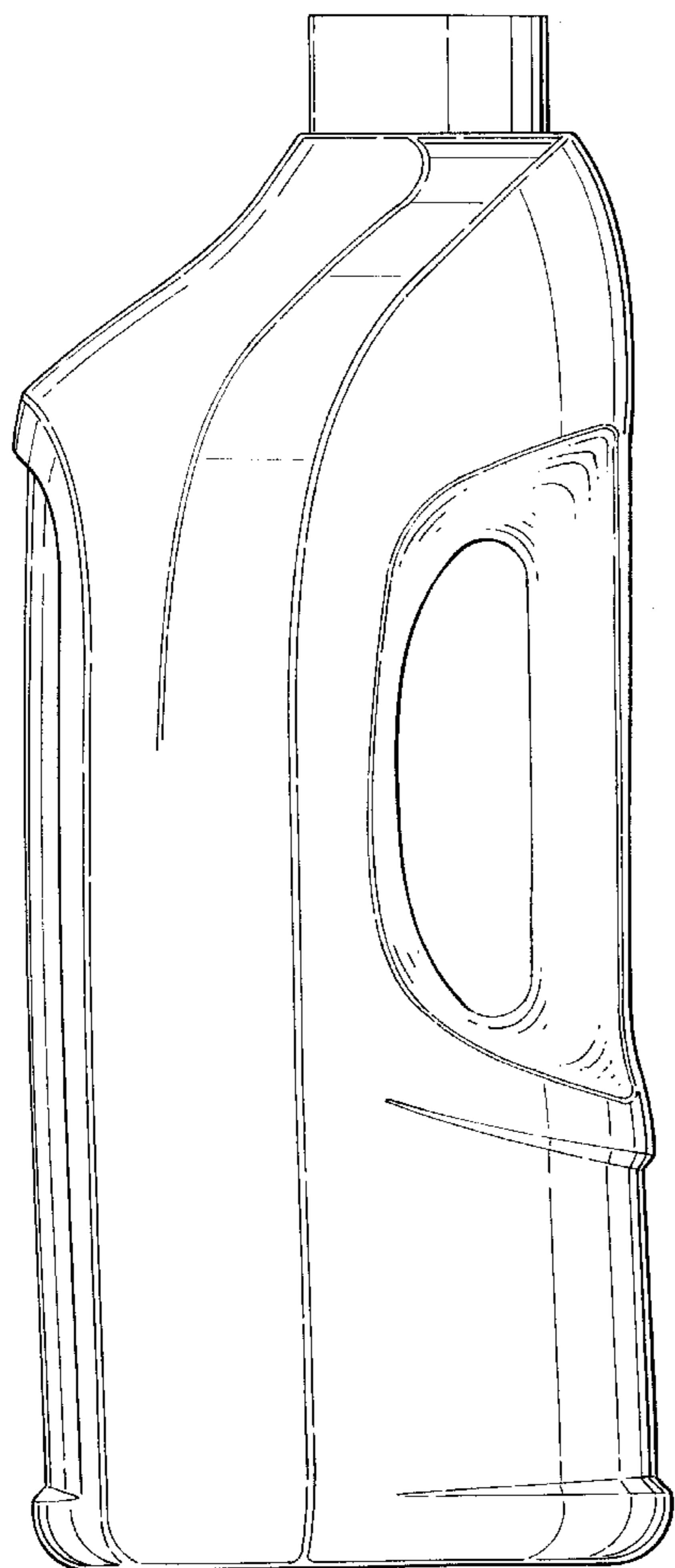


FIG-1

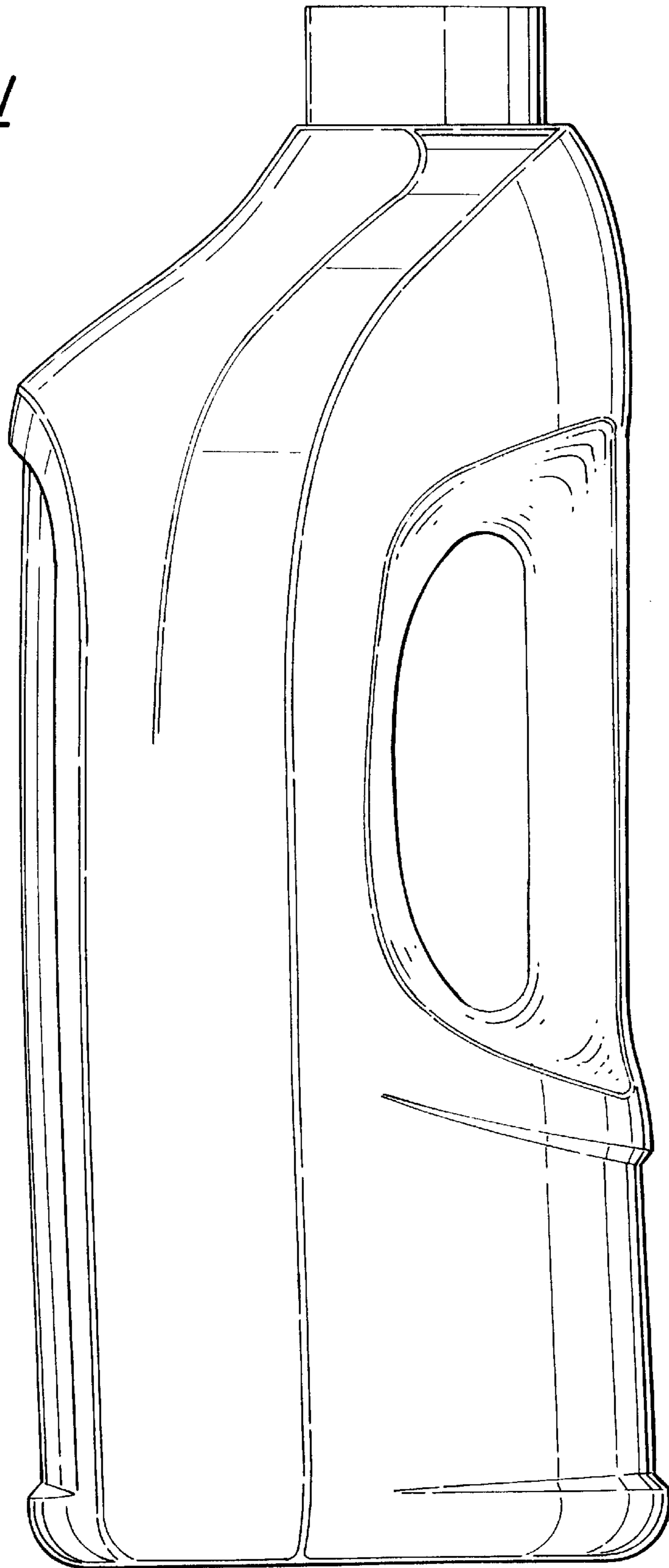
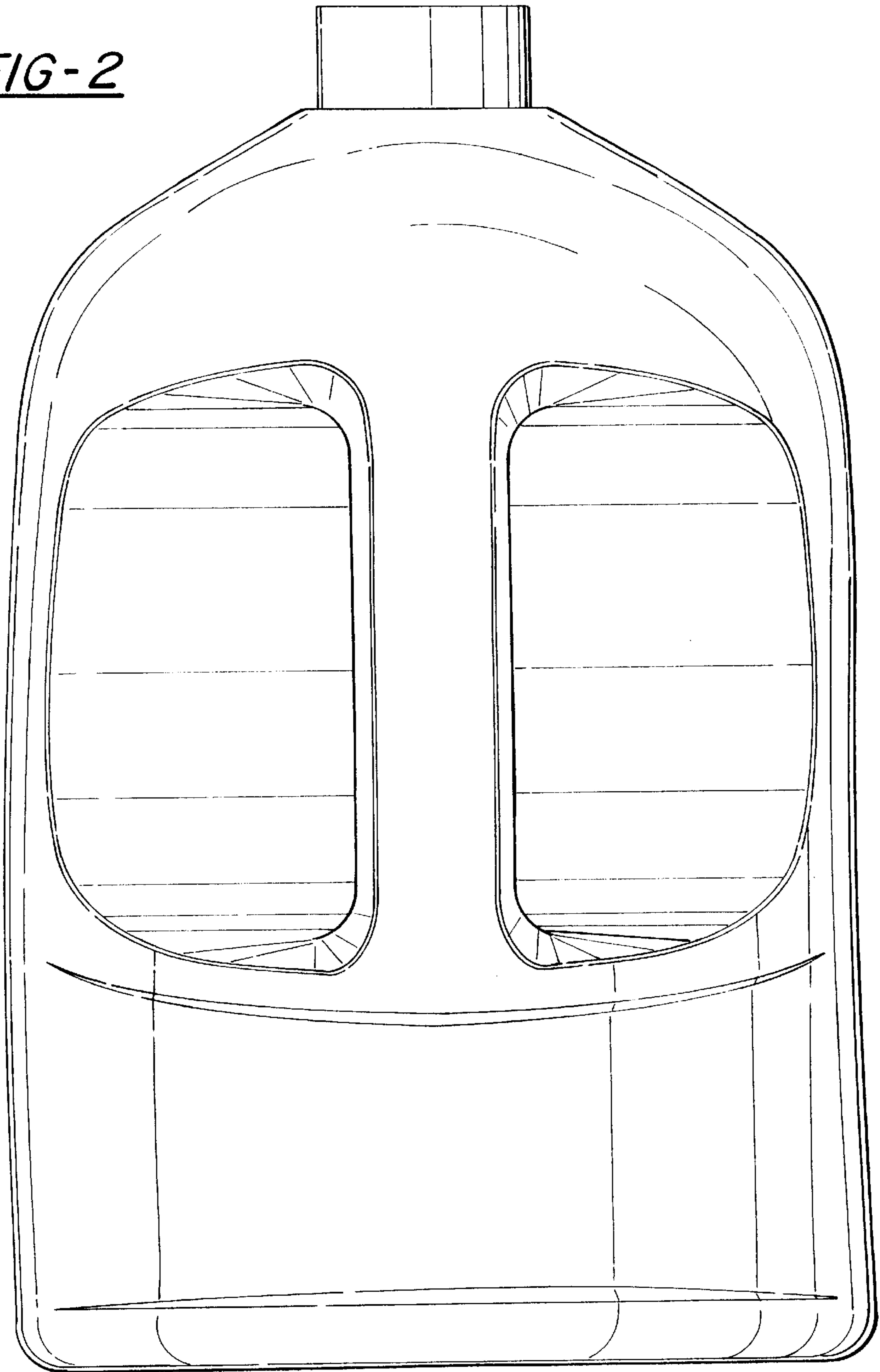


FIG-2



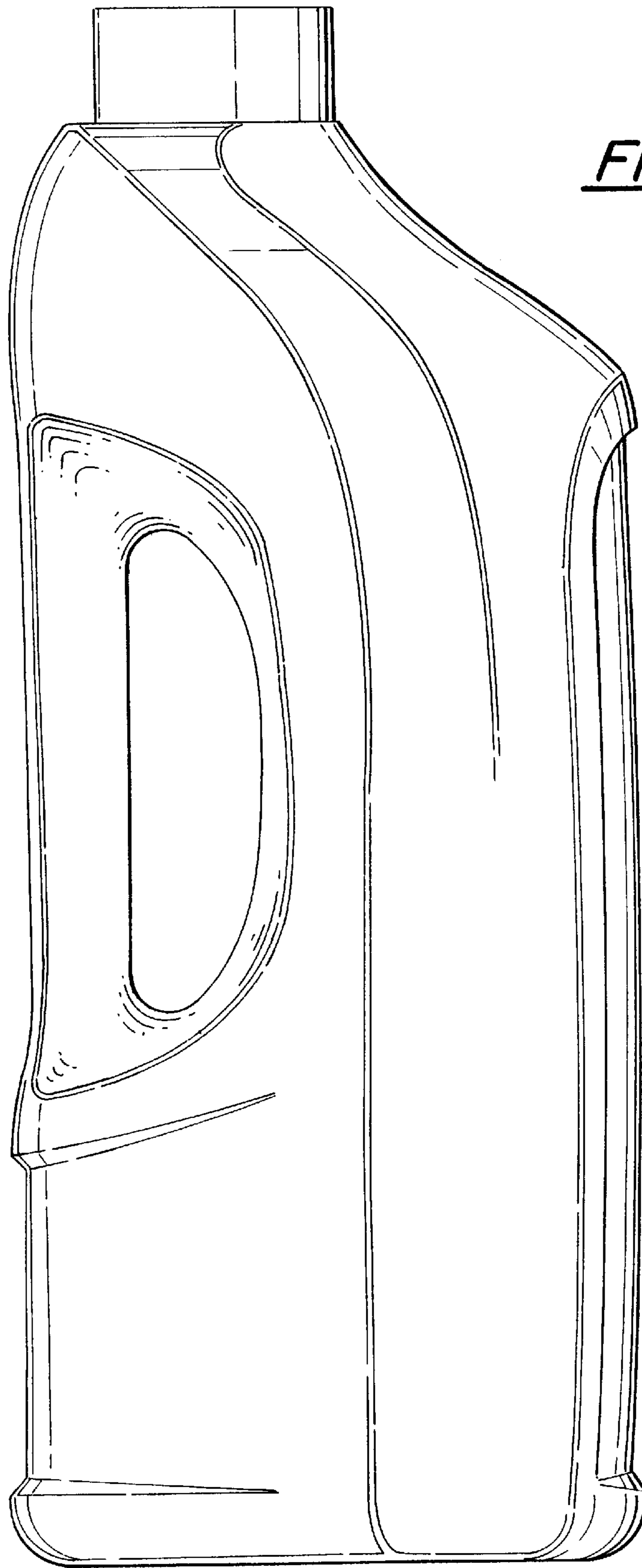
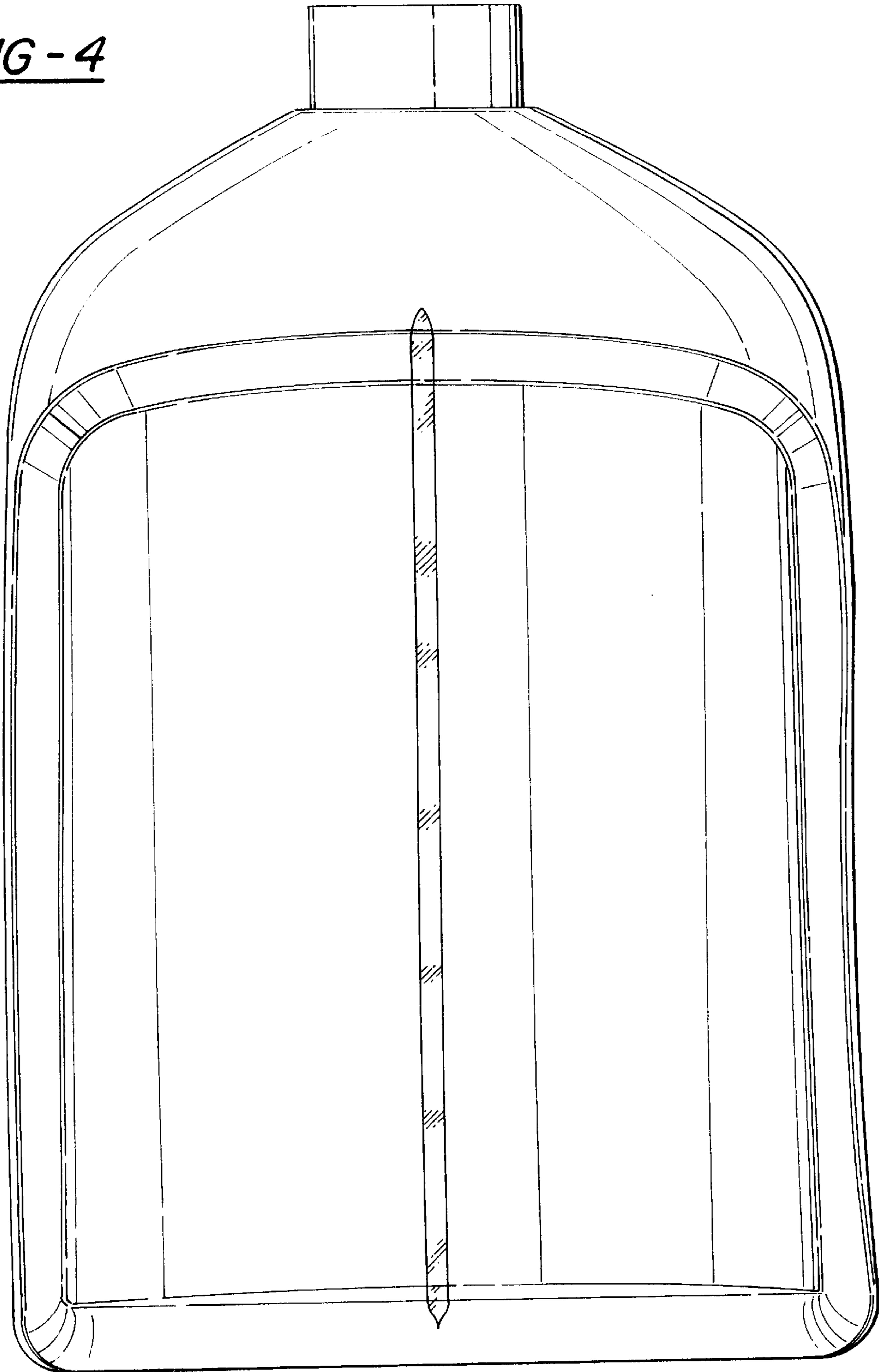


FIG-3

FIG - 4



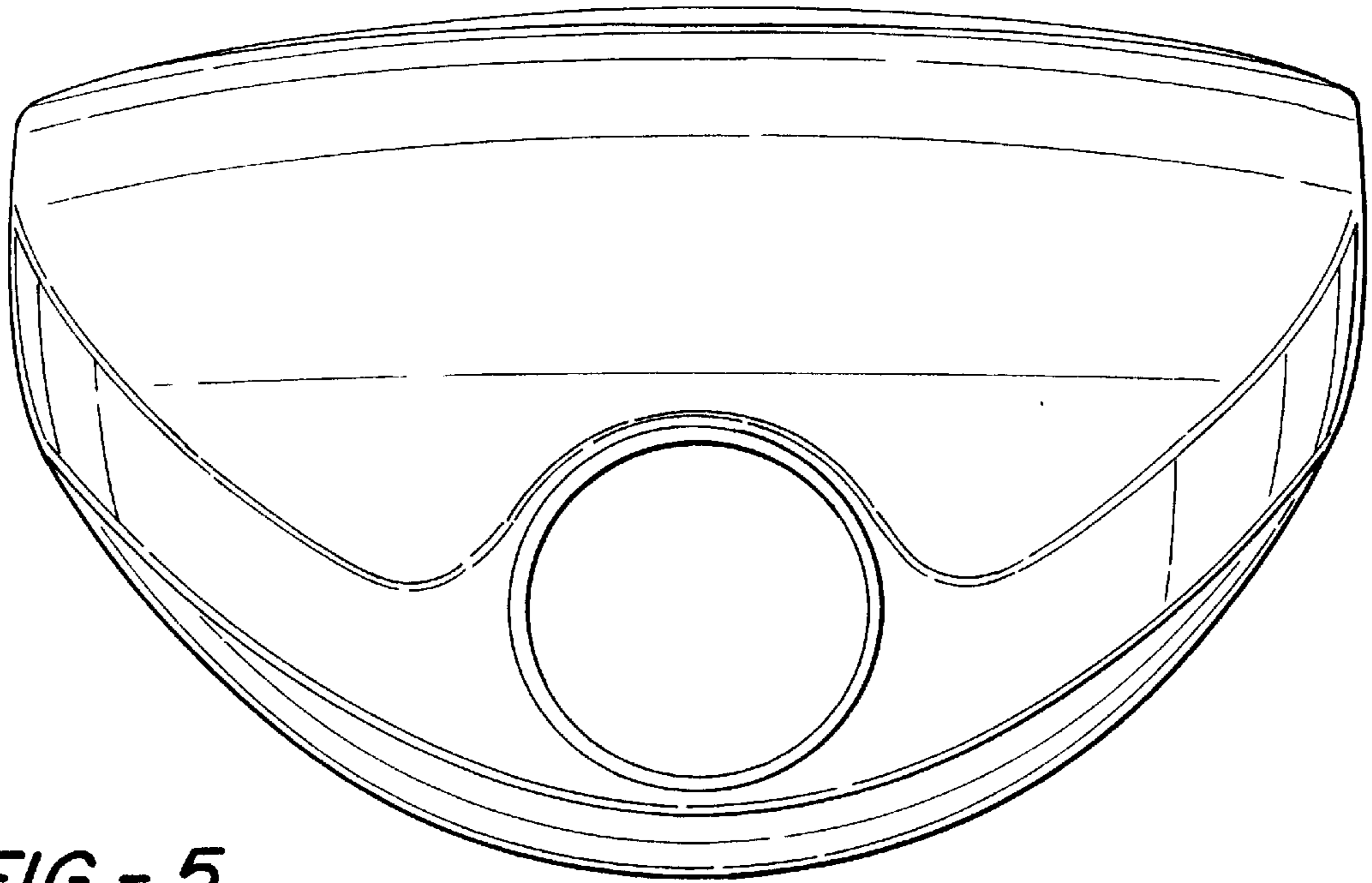


FIG - 5

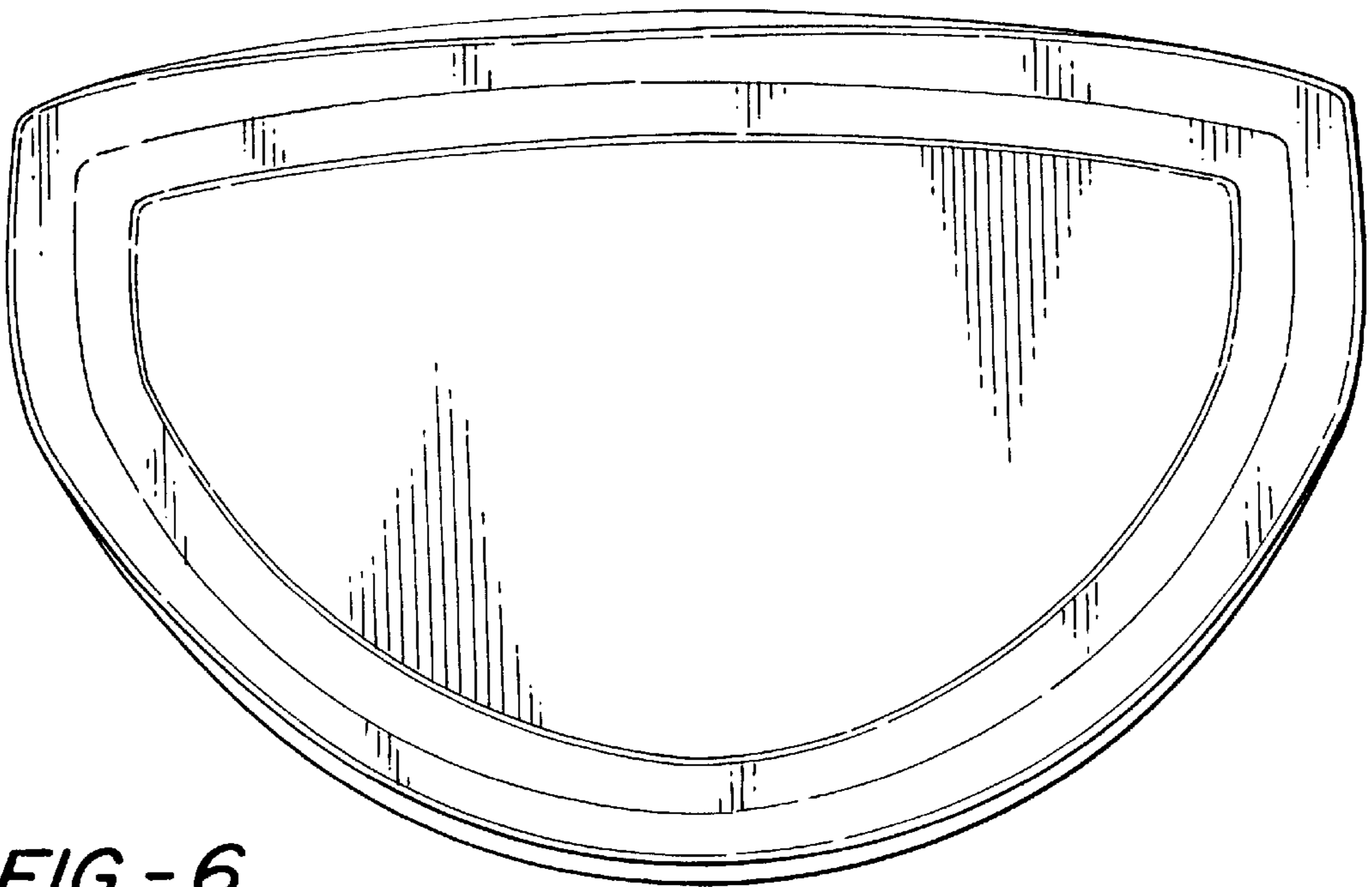


FIG - 6