



US00D424446S

# United States Patent [19]

[11] **Patent Number: Des. 424,446**

**Silvers et al.**

[45] **Date of Patent: \*\* May 9, 2000**

[54] **BOTTLE**

[75] Inventors: **Kerry W. Silvers**, Chelsea; **Richard J. Steih**, Britton, both of Mich.

[73] Assignee: **Schmalbach-Lubeca AG**, Germany

[\*\*] Term: **14 Years**

[21] Appl. No.: **29/095,483**

[22] Filed: **Oct. 23, 1998**

[51] **LOC (7) Cl.** ..... **09-01**

[52] **U.S. Cl.** ..... **D9/520; D9/540; D9/553**

[58] **Field of Search** ..... D9/553, 566, 540, D9/543, 520, 556, 557; 215/382, 383, 384

## [56] **References Cited**

### U.S. PATENT DOCUMENTS

D. 95,989	6/1935	Sakier	.....	D9/553
D. 319,584	9/1991	Biesecker	.....	D9/540
D. 379,763	6/1997	Ewing, Jr.	.....	D9/543
D. 382,807	8/1997	Silvers et al.	.....	D9/543
D. 383,067	9/1997	Gower et al.	.....	D9/540
D. 393,210	4/1998	Ewing, Jr.	.....	D9/543
5,758,790	6/1998	Ewing, Jr.	.....	215/384

*Primary Examiner*—Lucy Lieberman  
*Attorney, Agent, or Firm*—Harness, Dickey & Pierce, P.L.C.

## [57] **CLAIM**

The ornamental design for a bottle, as shown and described.

## **DESCRIPTION**

FIG. 1 is a perspective view of a bottle showing our new design;

FIG. 2 is a rear elevational view thereof;

FIG. 3 is a right side elevation of the bottle, the left side elevation is a mirror image thereof;

FIG. 4 is a front elevational view thereof;

FIG. 5 is a top plan view thereof;

FIG. 6 is a bottom plan view thereof; and,

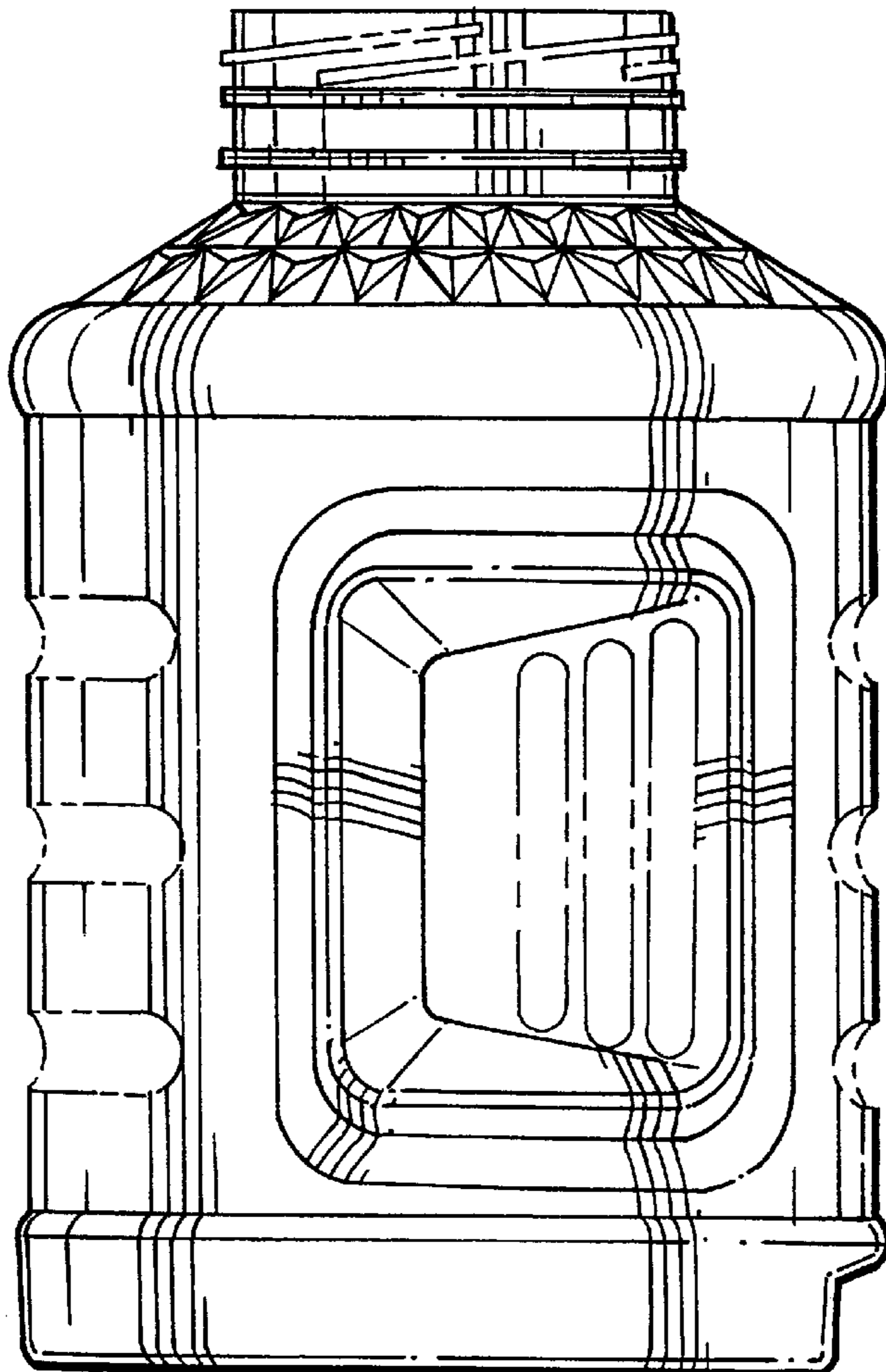
FIG. 7 is a right side elevation of a second embodiment of the bottle, the left side elevation is a mirror image thereof.

The broken lines in the drawings are for illustrative purposes only and do not form part of the claimed design.

The portions of the second embodiment that are not shown in the drawings or described in the specification do not form part of the claimed design.

The grip recess on the second embodiment, shown in FIG. 7, has the same depth and contour as the grip recess on the first embodiment of the bottle.

**1 Claim, 4 Drawing Sheets**



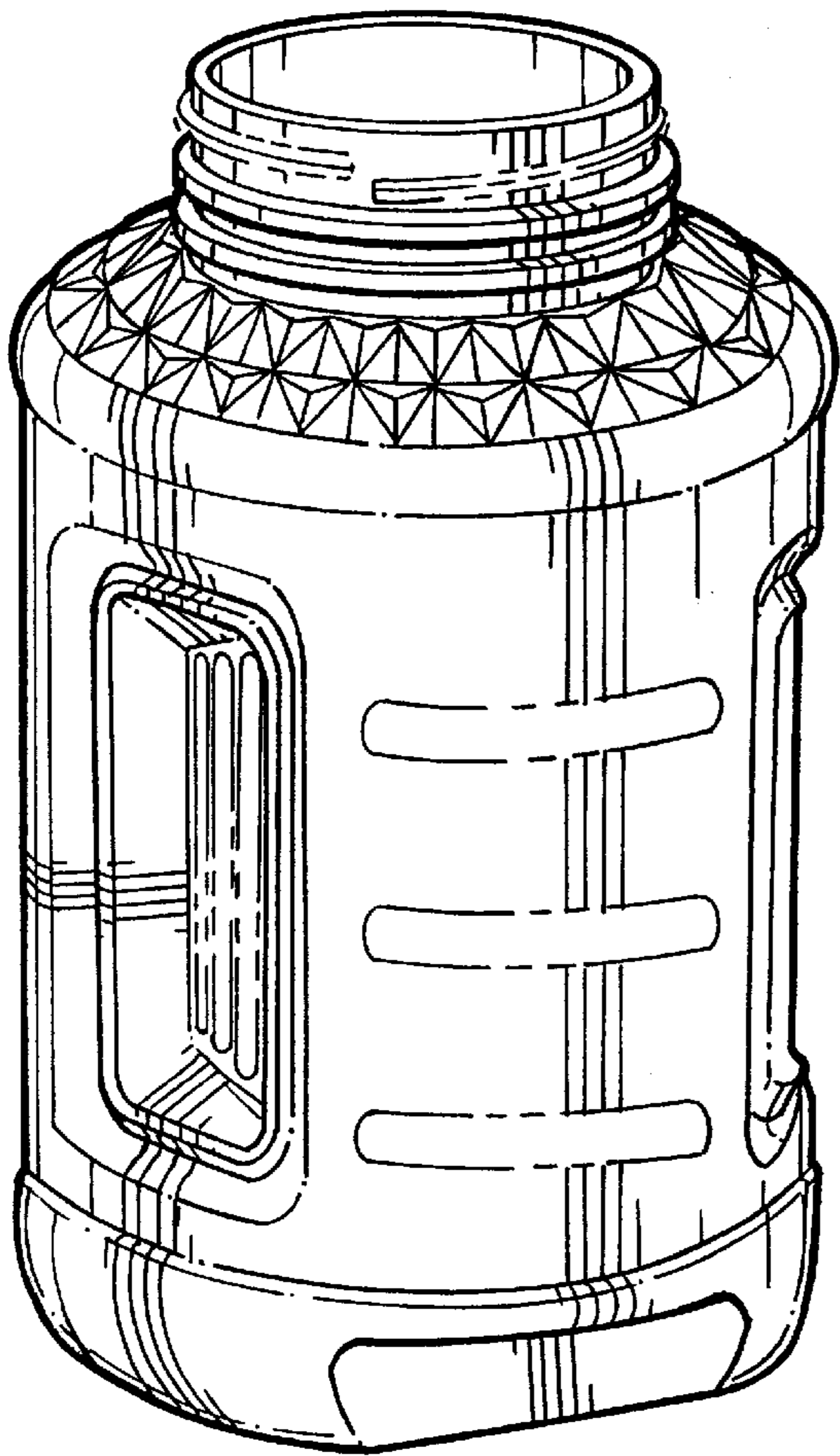


Fig-1

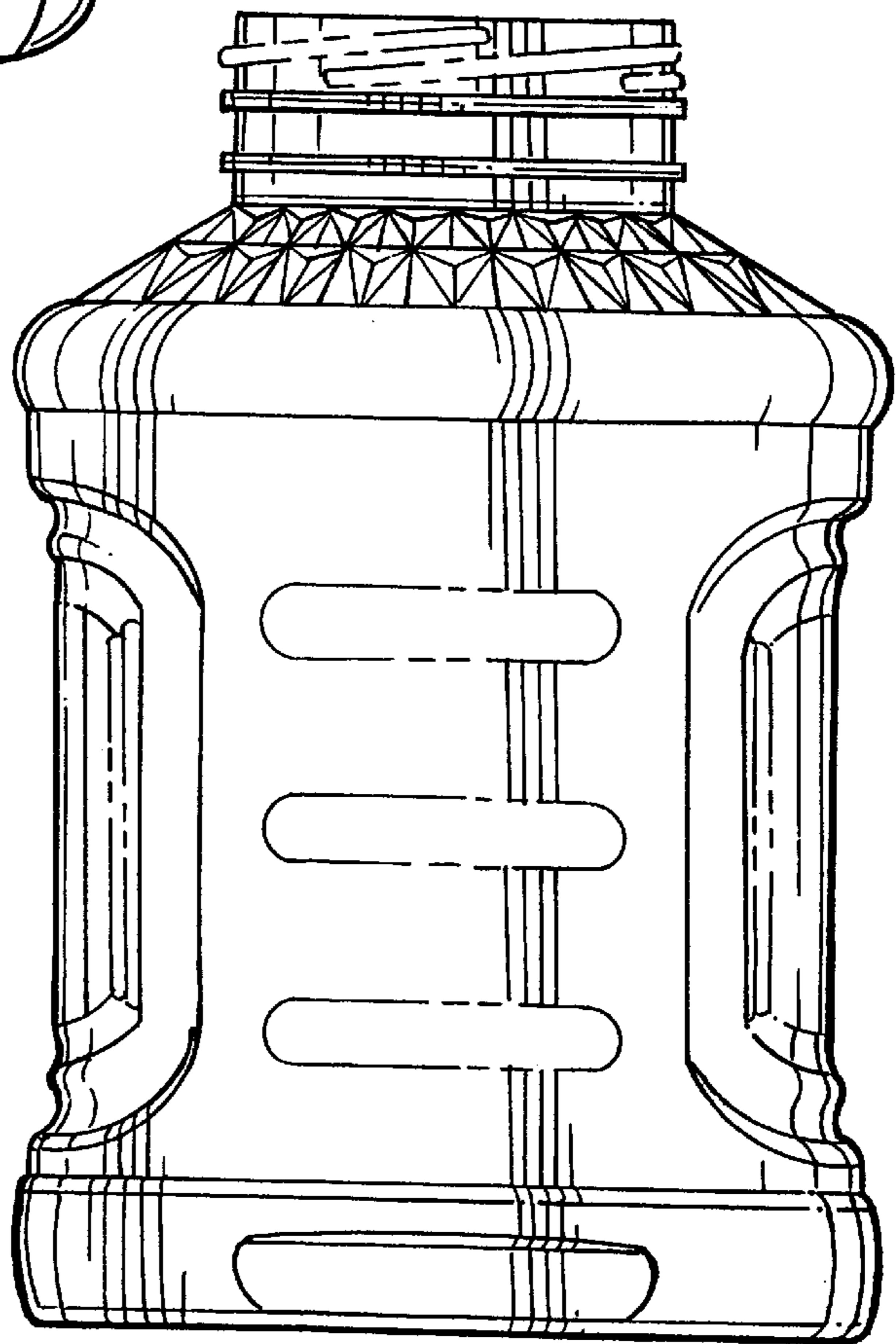


Fig-2

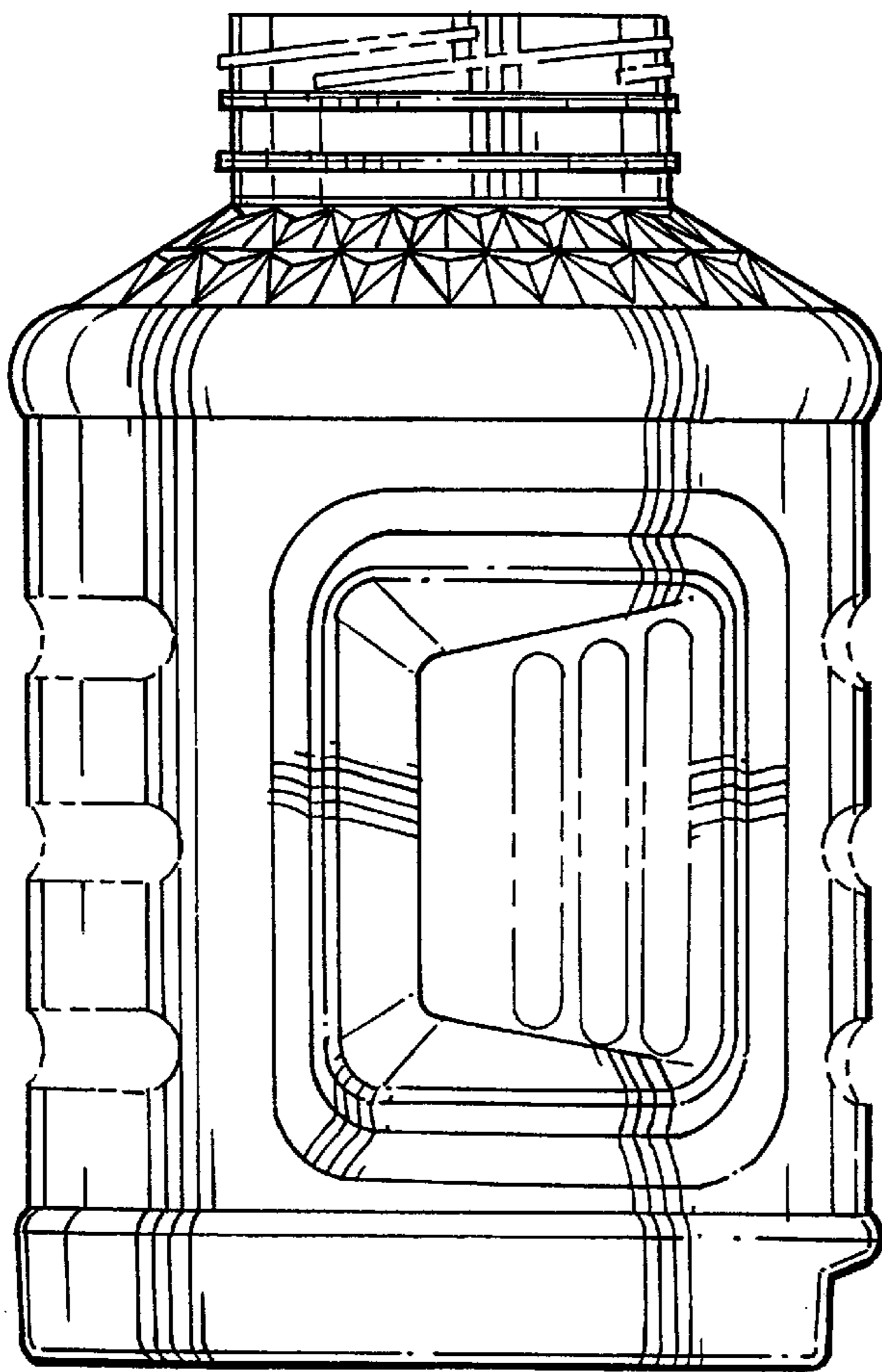


Fig-3

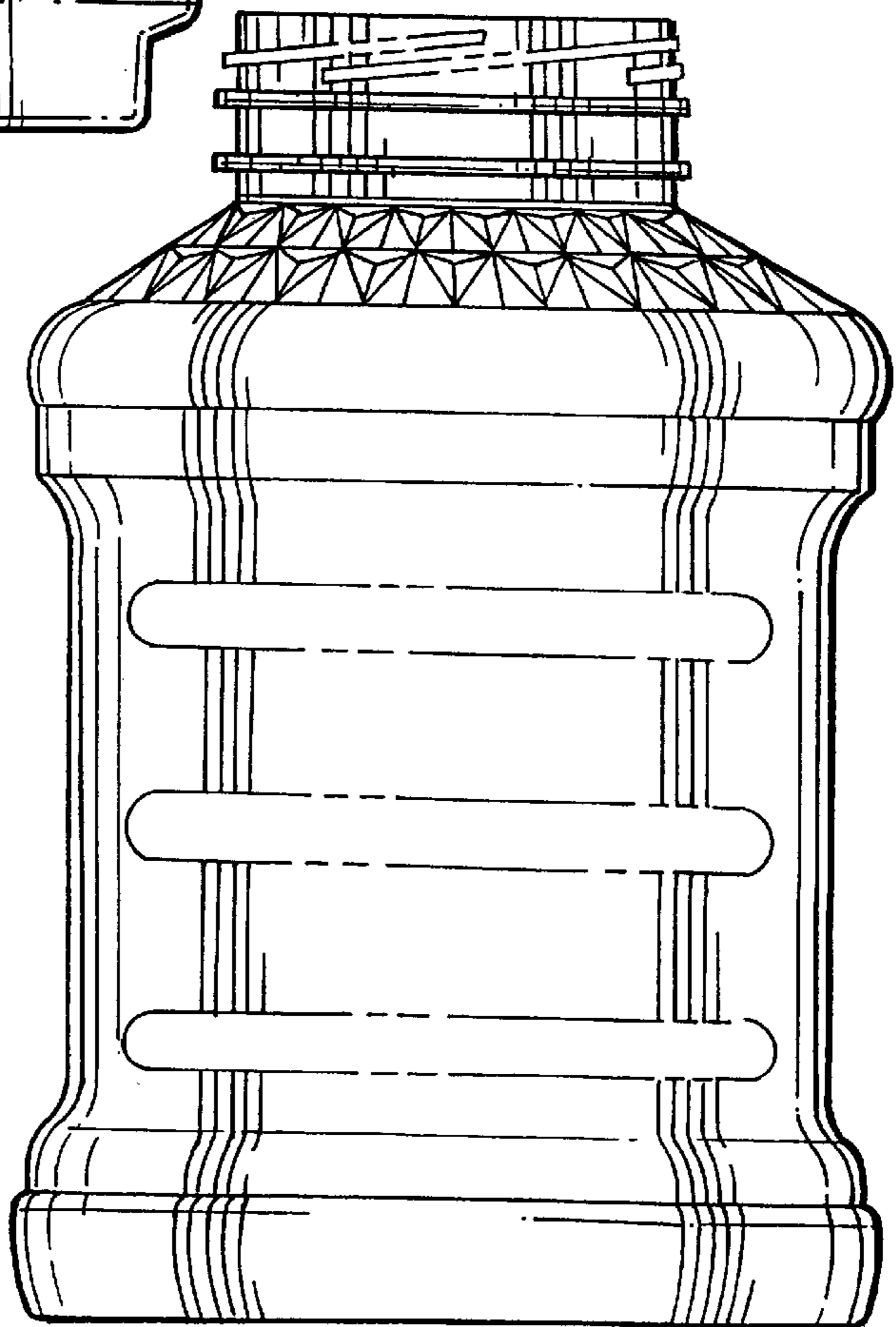


Fig-4

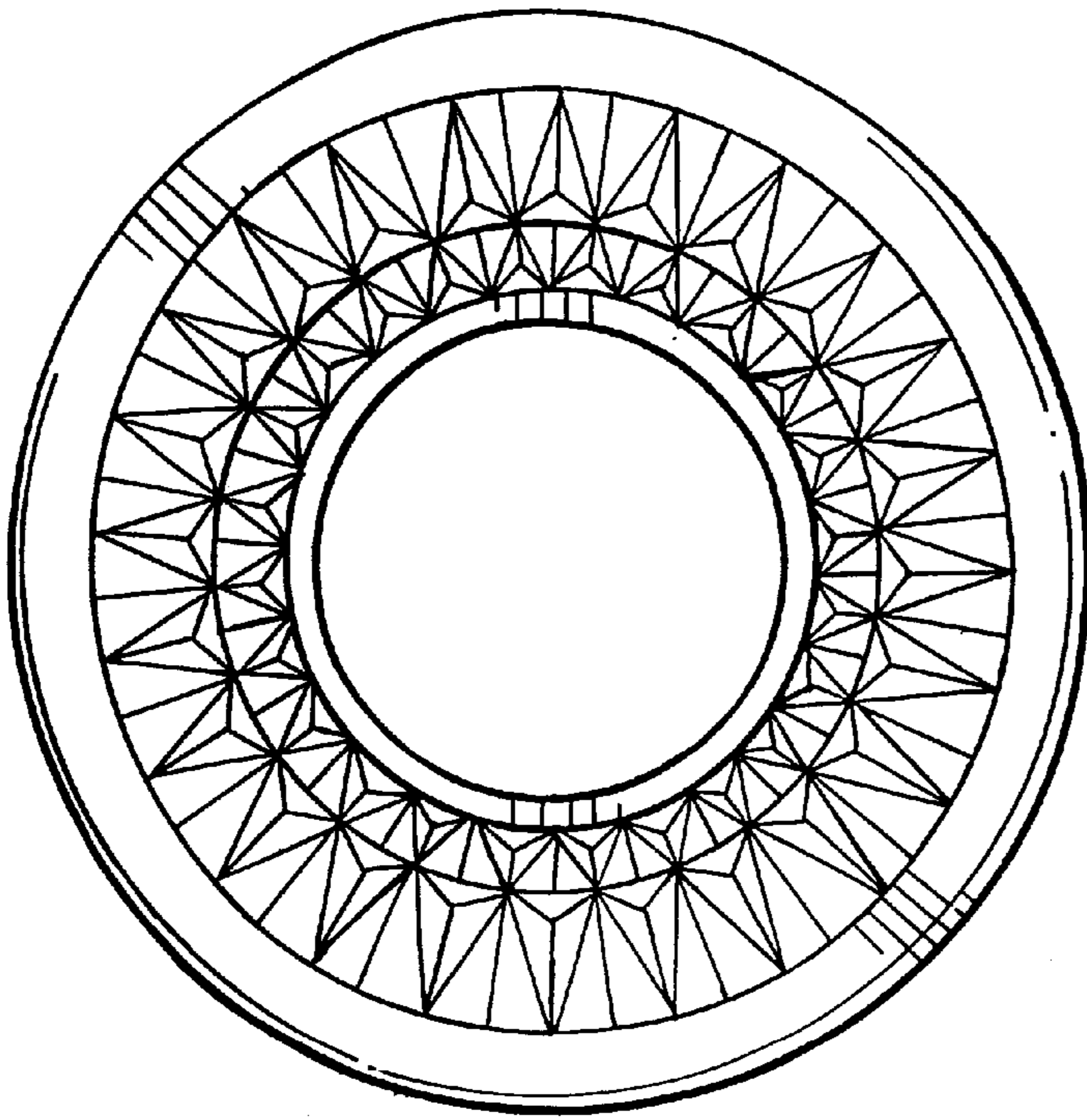


Fig-5

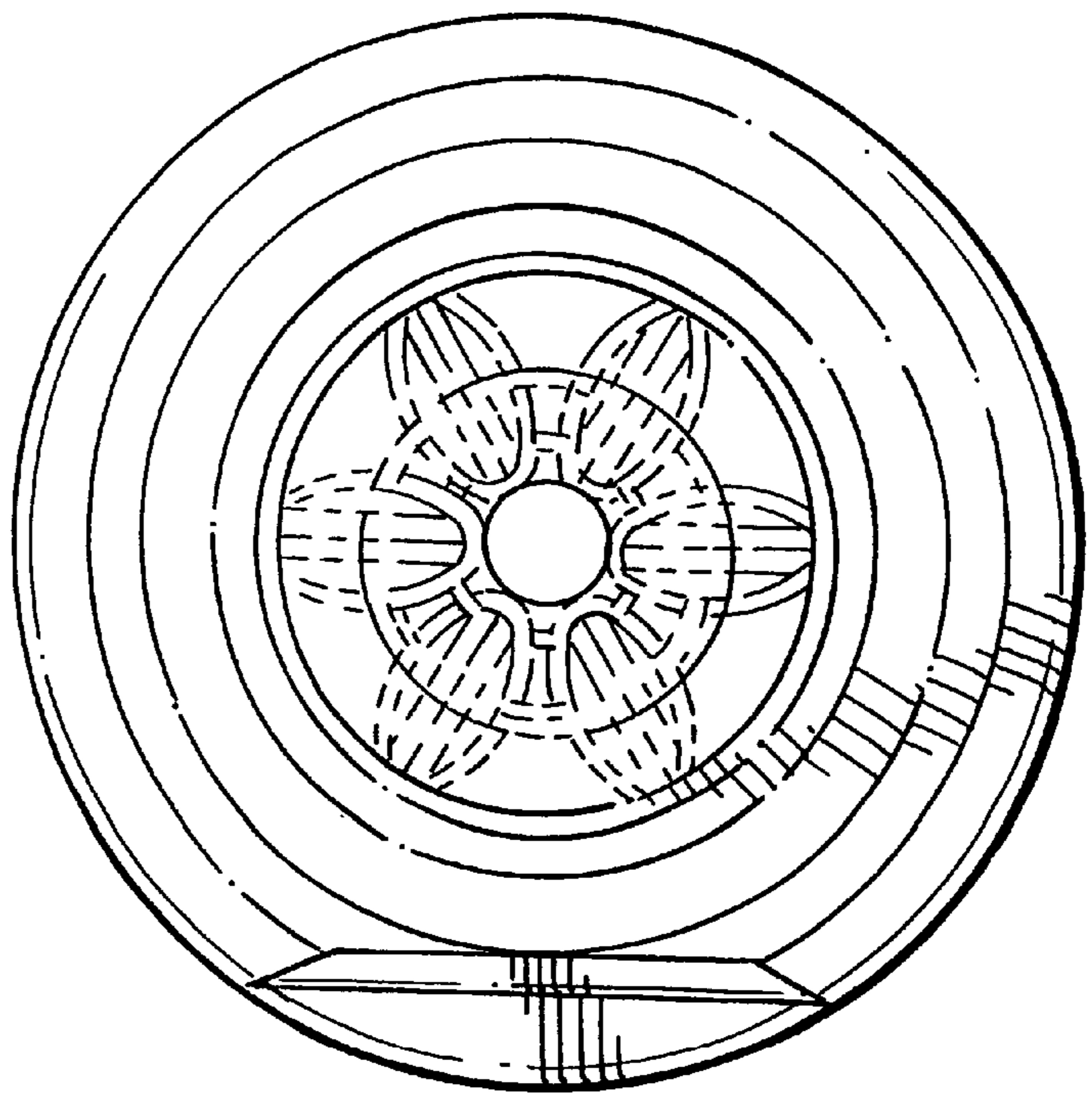


Fig-6

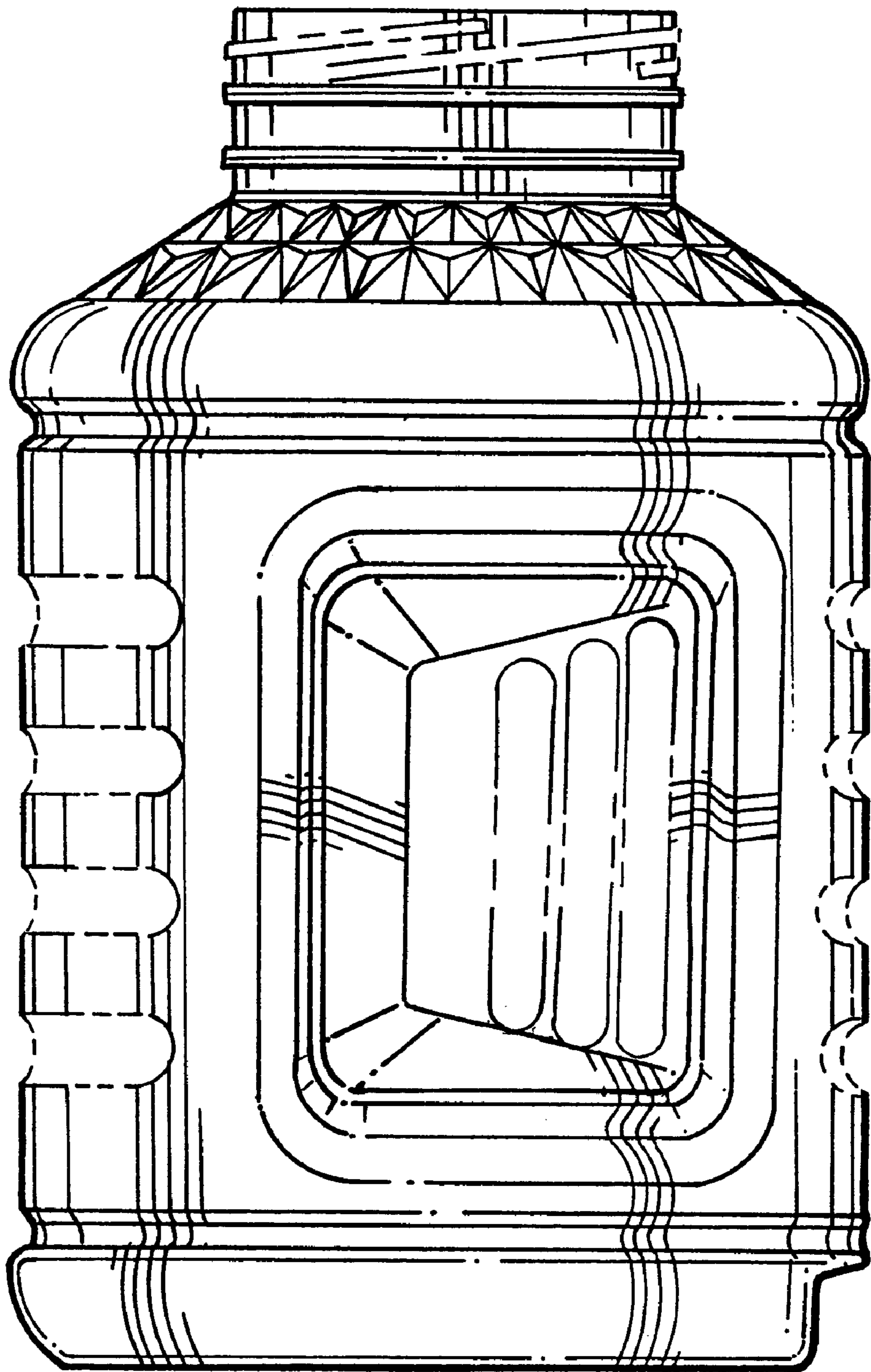


Fig-7