



US00D424442S

United States Patent [19] Kreiseder

[11] Patent Number: Des. 424,442

[45] Date of Patent: ** May 9, 2000

[54] TWIST TOP CLOSURE

[75] Inventor: Walter J. Kreiseder, Barrington, Ill.

[73] Assignee: Creative Packaging Corp., Buffalo Grove, Ill.

[**] Term: 14 Years

[21] Appl. No.: 29/095,517

[22] Filed: Oct. 26, 1998

[51] LOC (7) Cl. 09-07

[52] U.S. Cl. D9/449; D9/447

[58] Field of Search D9/435, 436, 440, D9/447, 449, 450, 452, 453; D7/510, 511, 629, 392, 396.2; 220/711, 713, 714, 715; 222/153.1, 520, 521, 525, 541.9, 598

[56] References Cited

U.S. PATENT DOCUMENTS

D. 278,311	4/1985	Brown et al.	D9/436
D. 306,701	3/1990	Beck .	
D. 319,588	9/1991	Beck .	
D. 323,461	1/1992	Beck .	
D. 323,462	1/1992	Beck .	
D. 324,175	2/1992	Beck .	
D. 358,295	5/1995	Moench	D9/447 X
D. 398,851	9/1998	Gaiser et al.	D9/447
3,326,402	6/1967	Randazzo	222/520
5,145,094	9/1992	Perlmutter	222/521 X
5,429,282	7/1995	Stebick	222/521
5,456,374	10/1995	Beck	222/548 X
5,465,876	11/1995	Crisci	222/153.1
5,657,906	8/1997	Rapchak et al.	222/525 X
5,662,247	9/1997	Rapchak et al.	222/525 X

Primary Examiner—Cathron B. Matta
Attorney, Agent, or Firm—Silverman, Cass & Singer, Ltd.

[57] CLAIM

The ornamental design for a twist top closure, as shown and described.

DESCRIPTION

FIG. 1 is a perspective view of a twist top closure showing my new design, the same being shown in closed configuration with the upper cap portion positioned adjacent a lower base portion;

FIG. 2 is a top plan view thereof, shown at an enlarged scale; FIG. 3 is a front elevation view thereof, shown at an enlarged scale, the rear elevation being a mirror image;

FIG. 4 is a right side elevation view thereof, shown at an enlarged scale, the left side elevation being a mirror image; FIG. 5 is a perspective view thereof with the same being shown in open configuration with the upper cap portion moved to raised position with respect to the lower base portion;

FIG. 6 is a perspective view of an alternate embodiment of the twist top closure shown in FIG. 1;

FIG. 7 is a top plan view thereof, shown at an enlarged scale; FIG. 8 is a front elevation view thereof, shown at an enlarged scale, the rear elevation being a mirror image;

FIG. 9 is a right side elevation view thereof, shown at an enlarged scale, the left side elevation being a mirror image; and,

FIG. 10 is a perspective view thereof with the same being shown in open configuration with the upper cap portion moved to raised position with respect to the lower base portion.

The broken line showing of the base portion of the twist top closure and of the seal for the dispensing outlet is for illustrative purposes only and forms no part of the claimed design.

The bottom and interior of the twist top closure form no part of the claimed design.

1 Claim, 2 Drawing Sheets

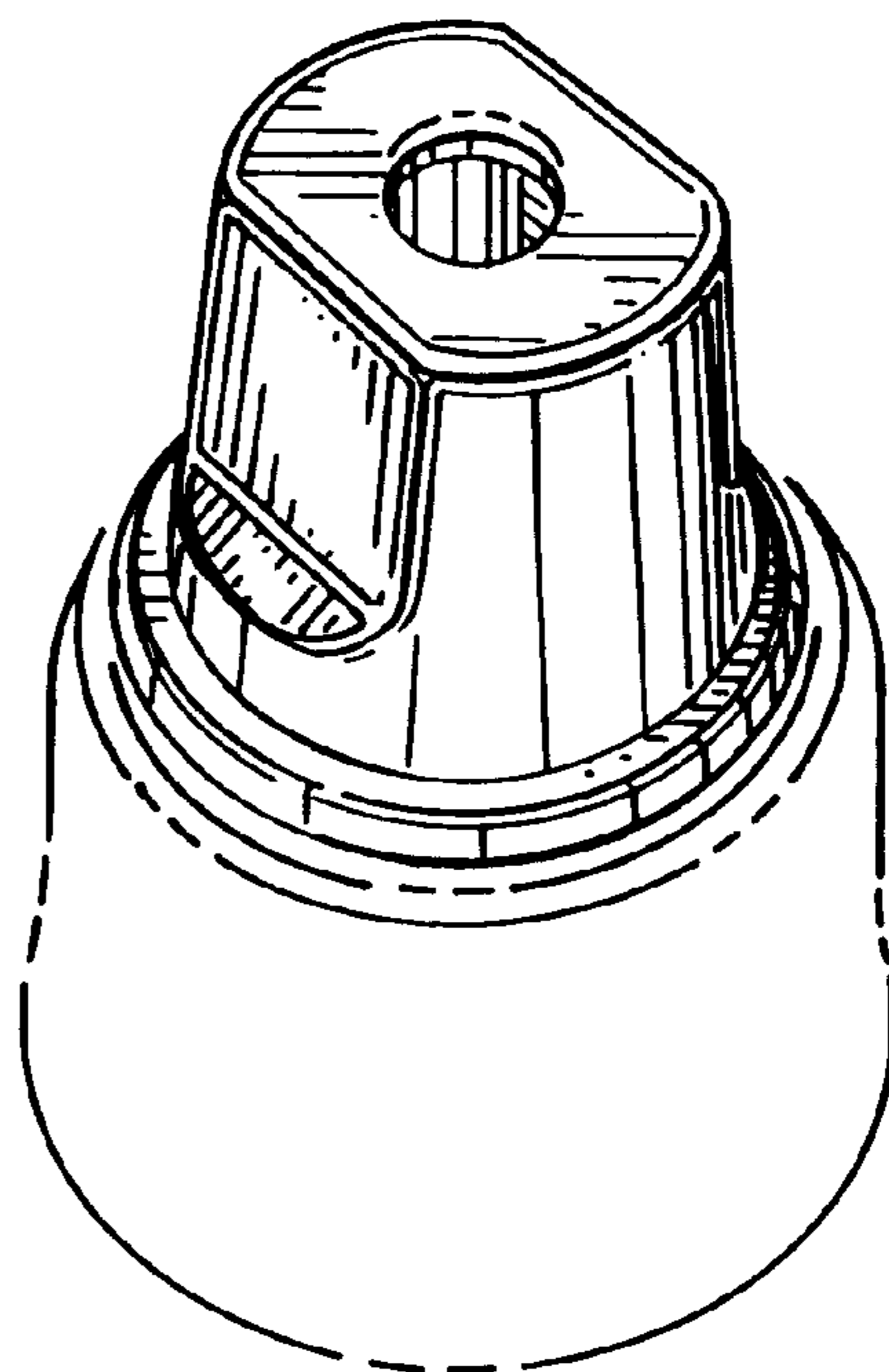
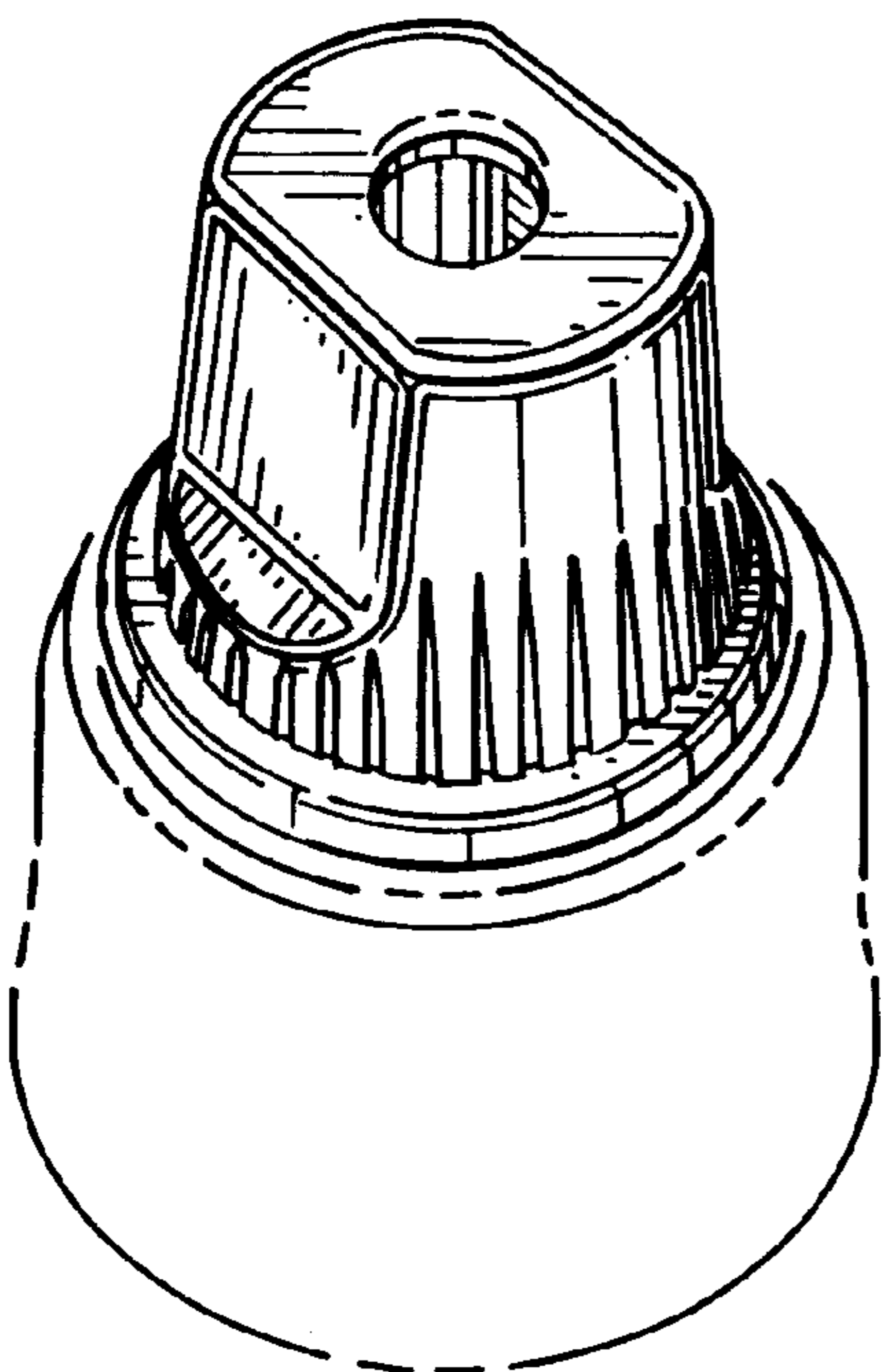


FIG. 1

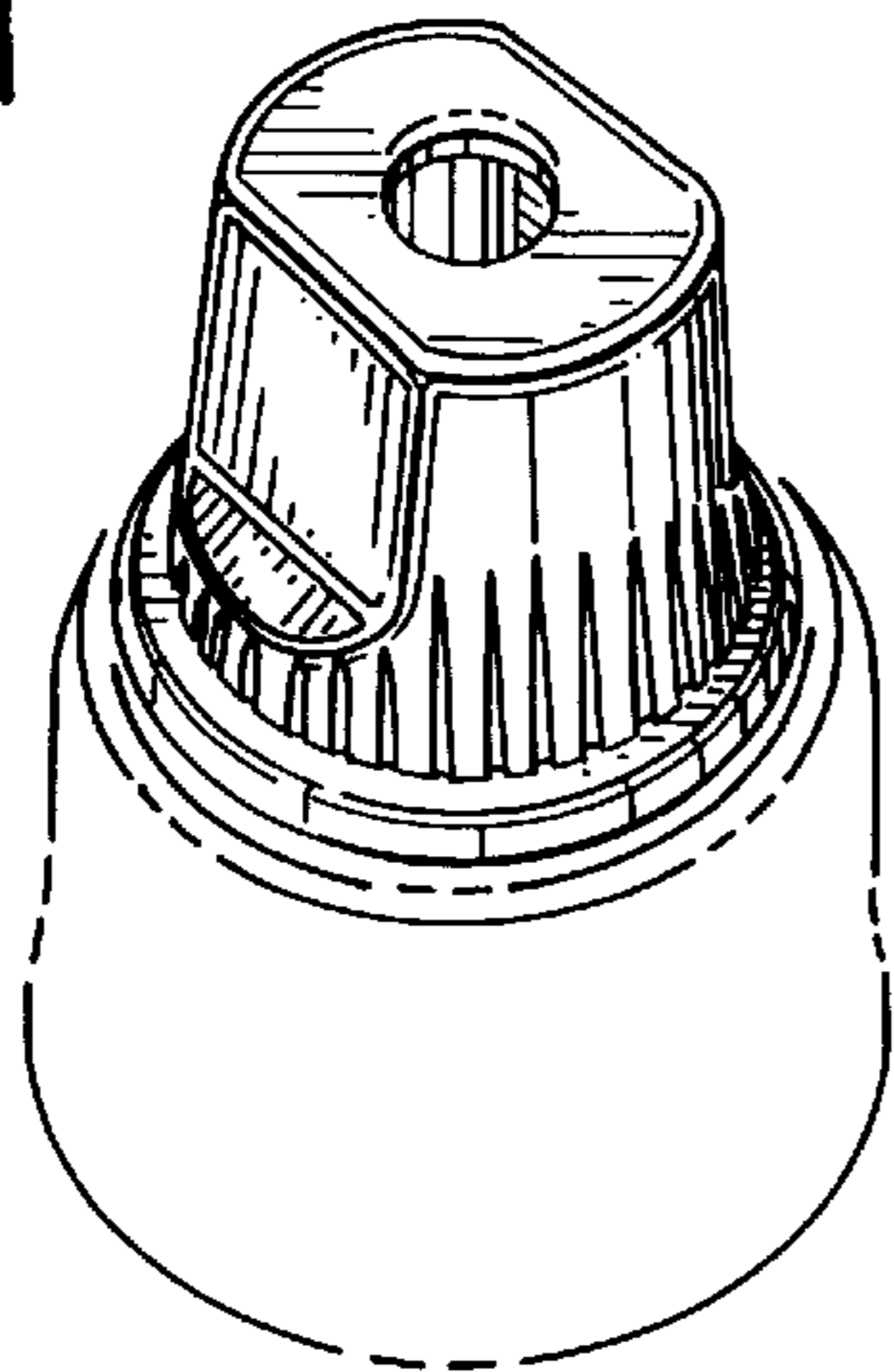


FIG. 2

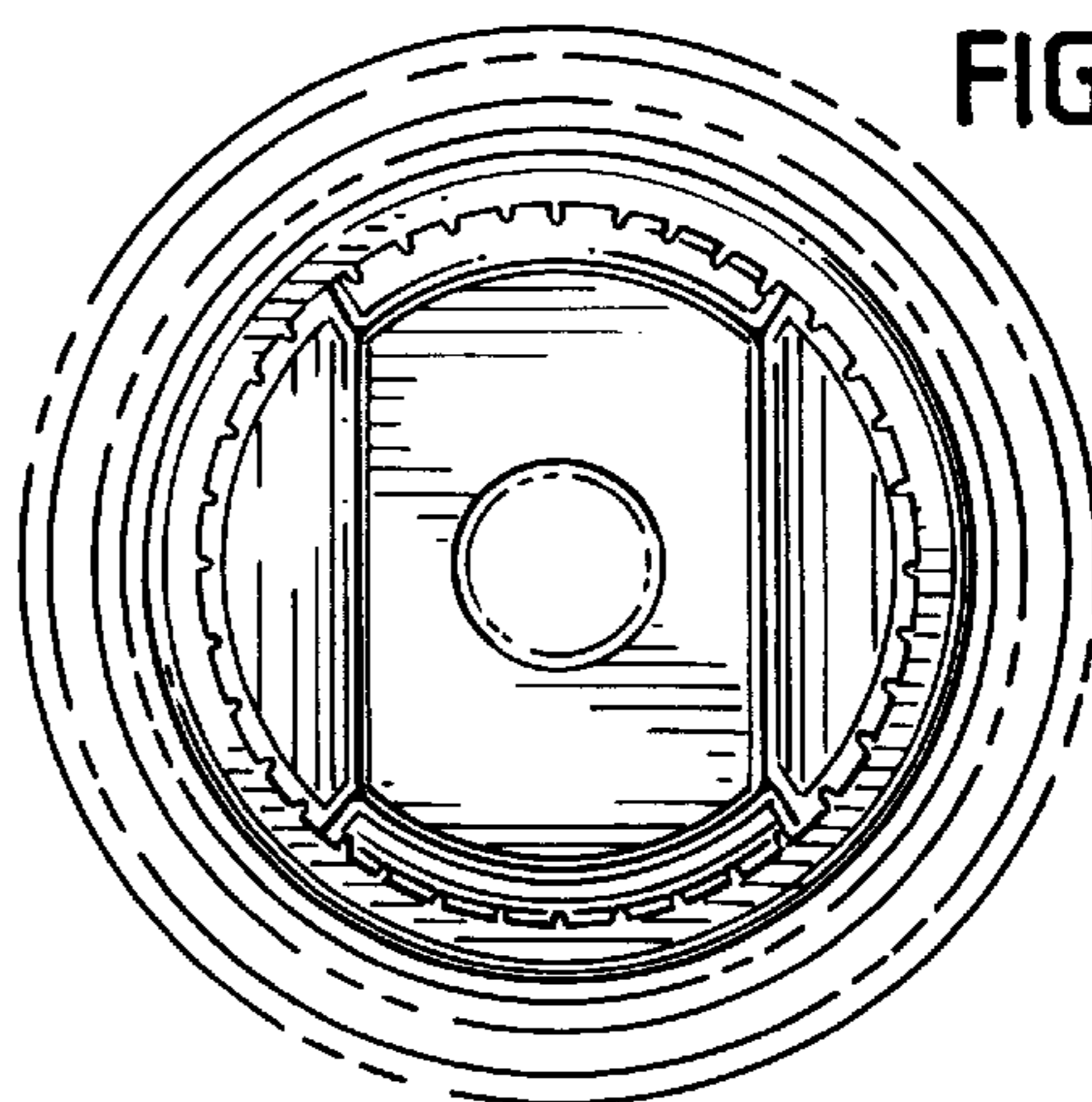


FIG. 3

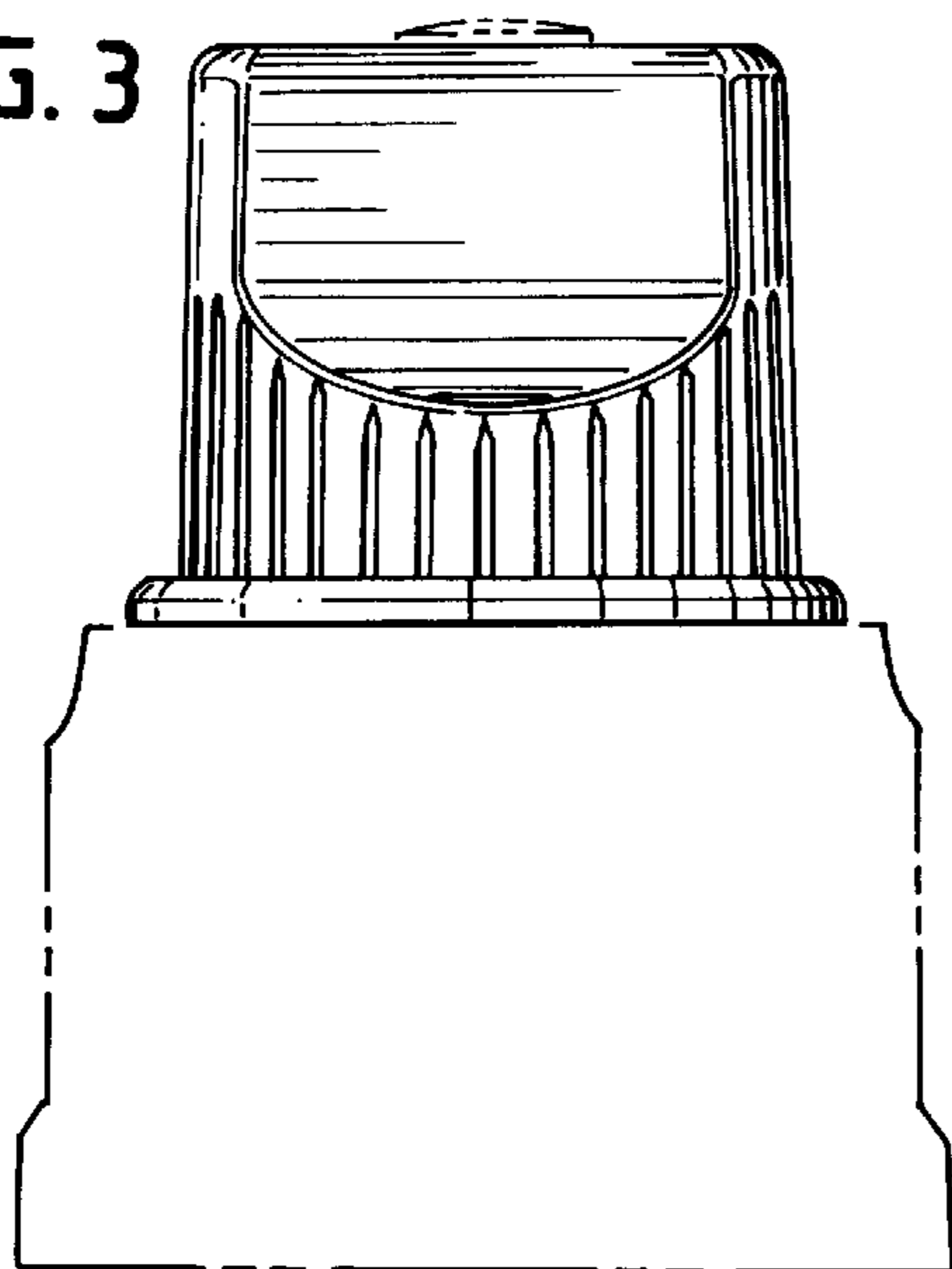


FIG. 4

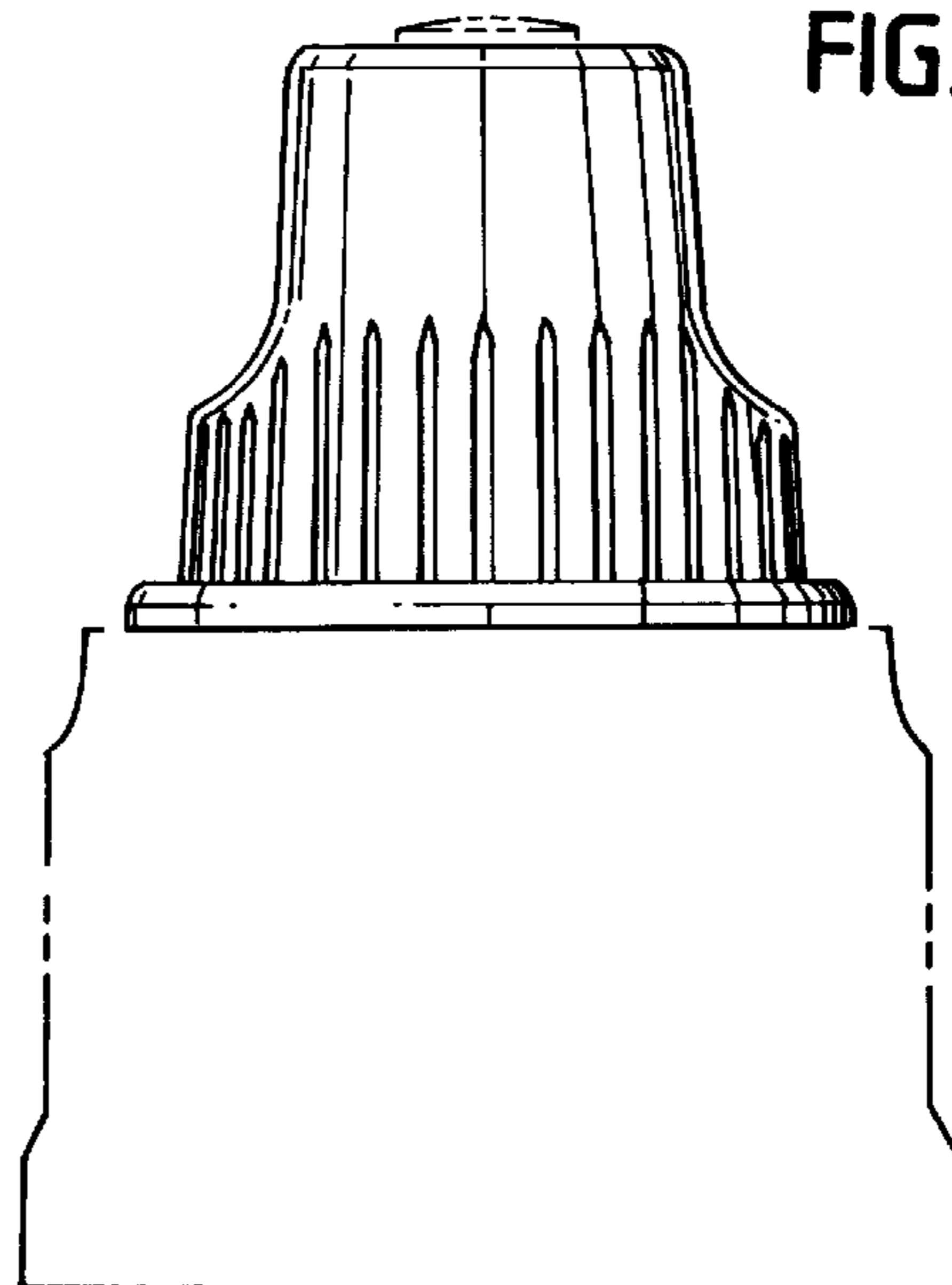


FIG. 5

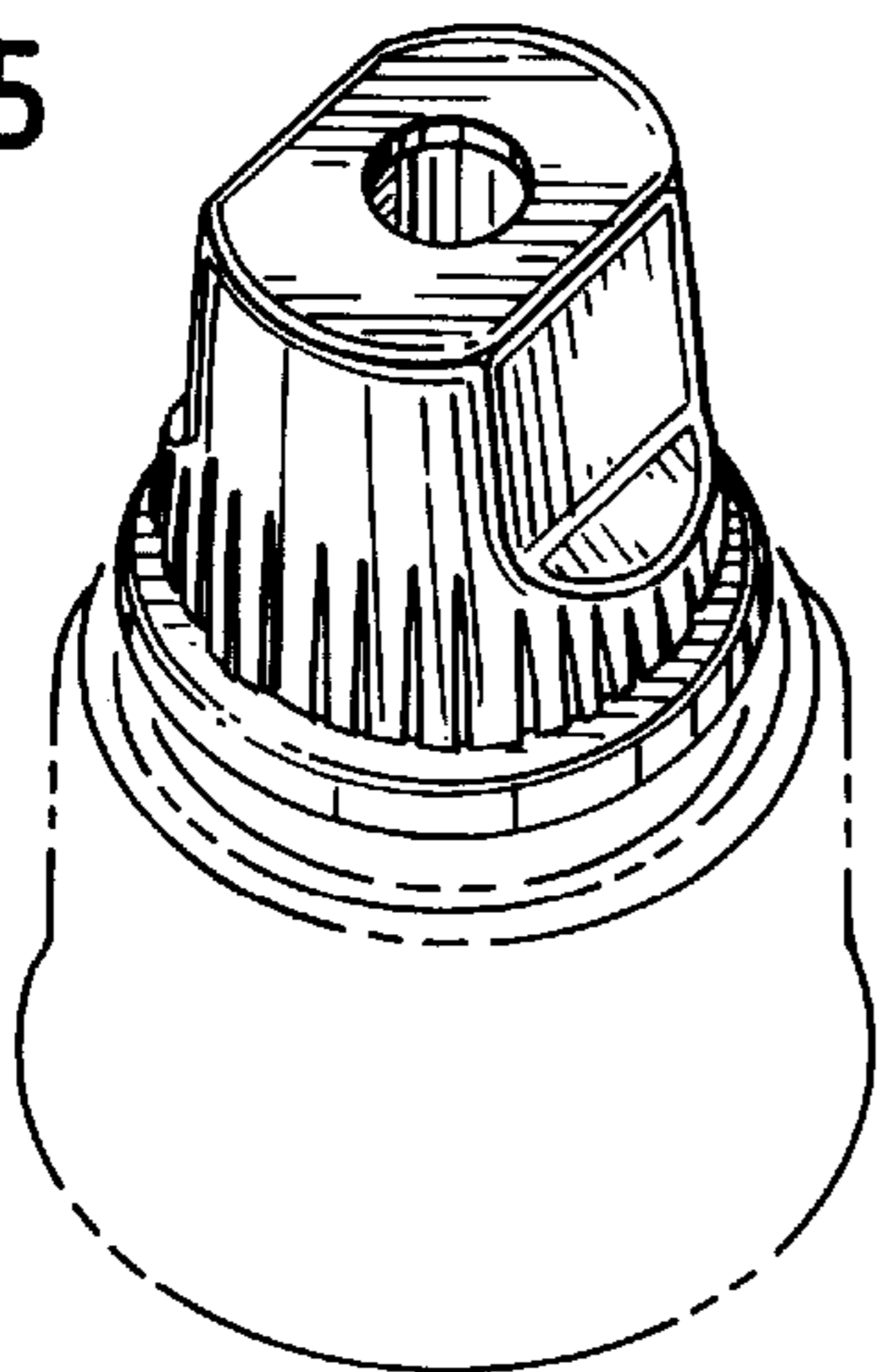


FIG. 6

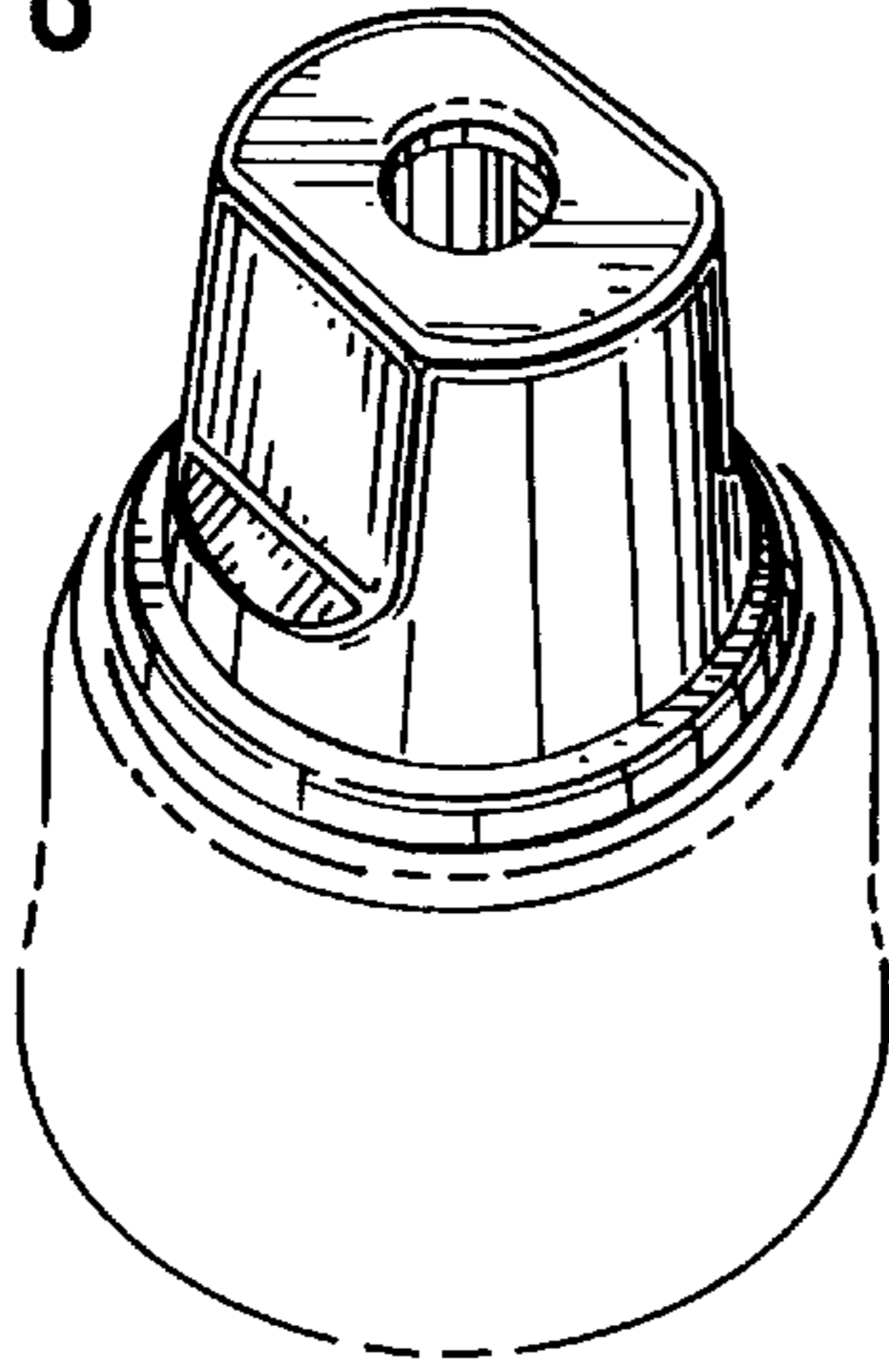


FIG. 7

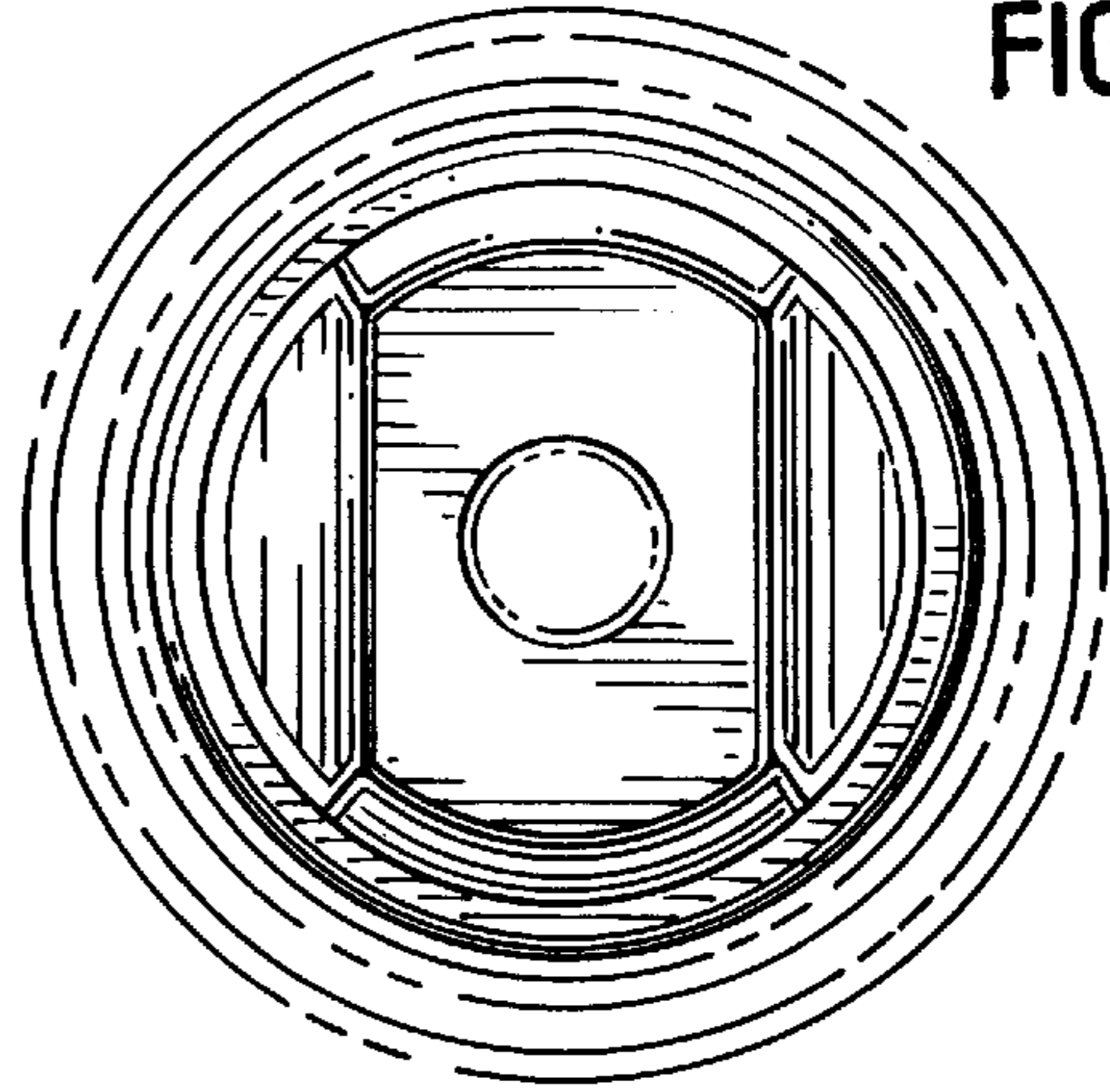


FIG. 8

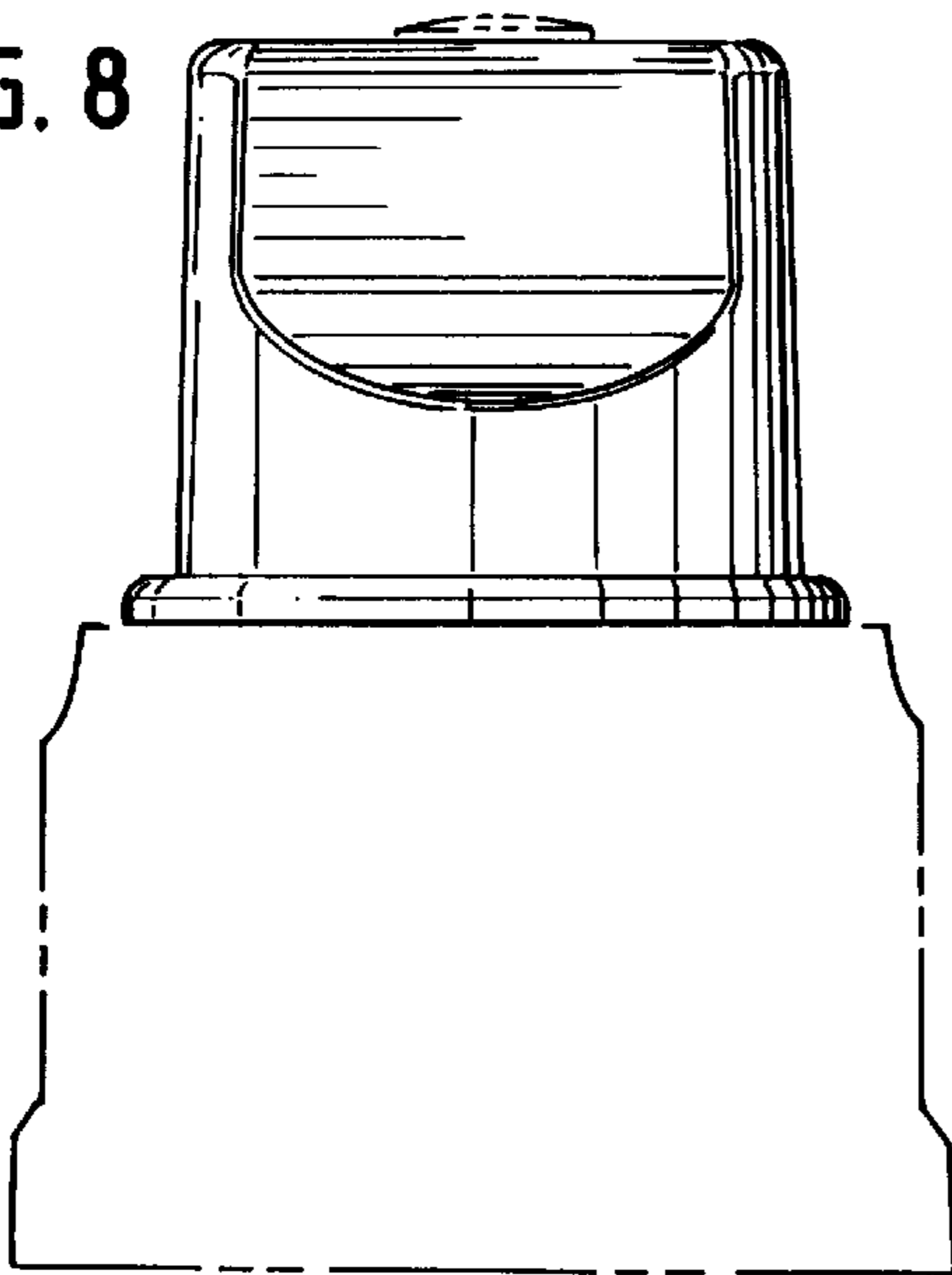


FIG. 9

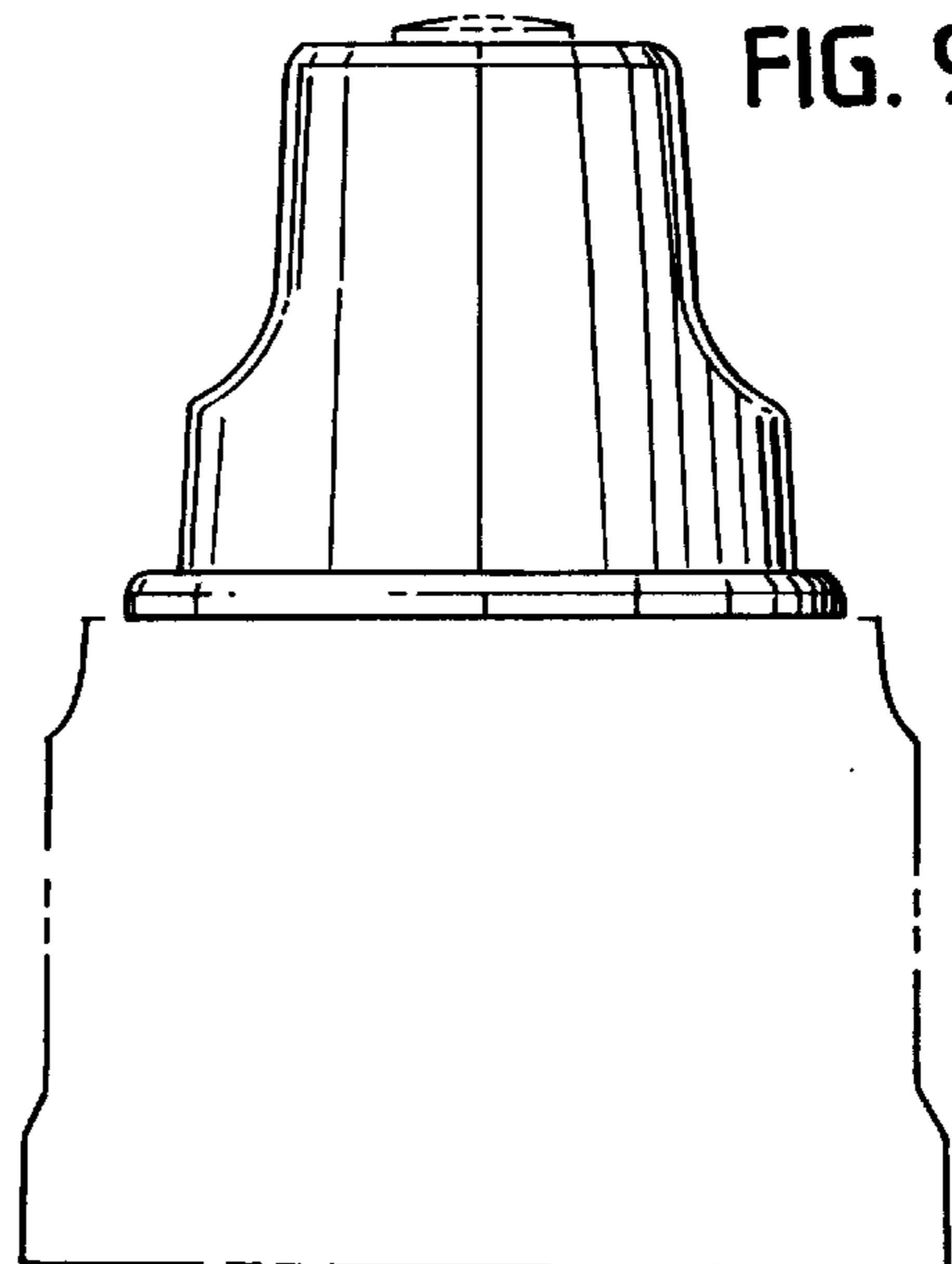


FIG. 10

