



US00D424441S

# United States Patent [19] Santagiuliana

[11] **Patent Number: Des. 424,441**

[45] **Date of Patent: \*\* May 9, 2000**

[54] **DOSING CAP**

[75] Inventor: **Evans Santagiuliana, Vicenza, Italy**

[73] Assignee: **Taplast SPA, Dueville, Italy**

[\*\*] Term: **14 Years**

[21] Appl. No.: **29/100,520**

[22] Filed: **Feb. 12, 1999**

[51] **LOC (7) Cl. .... 09-07**

[52] **U.S. Cl. .... D9/448; D9/301**

[58] **Field of Search .... D9/300, 301, 447, D9/448, 449; 222/153.1-153.14, 321.1, 321.6, 321.7, 321.8, 321.9, 402.13**

[56] **References Cited**

**U.S. PATENT DOCUMENTS**

D. 389,059	1/1998	Mascitelli .....	D9/448
D. 398,529	9/1998	Mascitelli .....	D9/448
D. 400,792	11/1998	Mascitelli .....	D9/448
2,824,672	2/1958	Wersching .....	D9/448 X
4,978,035	12/1990	Morane et al. ....	222/402.13 X
5,615,806	4/1997	Grothoff .....	222/153.13
5,673,824	10/1997	Santagiuliana .....	222/321.9
5,924,603	7/1999	Santagiuliana .....	222/321.1

*Primary Examiner*—Cathron B. Matta  
*Attorney, Agent, or Firm*—Watson Cole Grindle Watson P.L.L.C.

[57] **CLAIM**

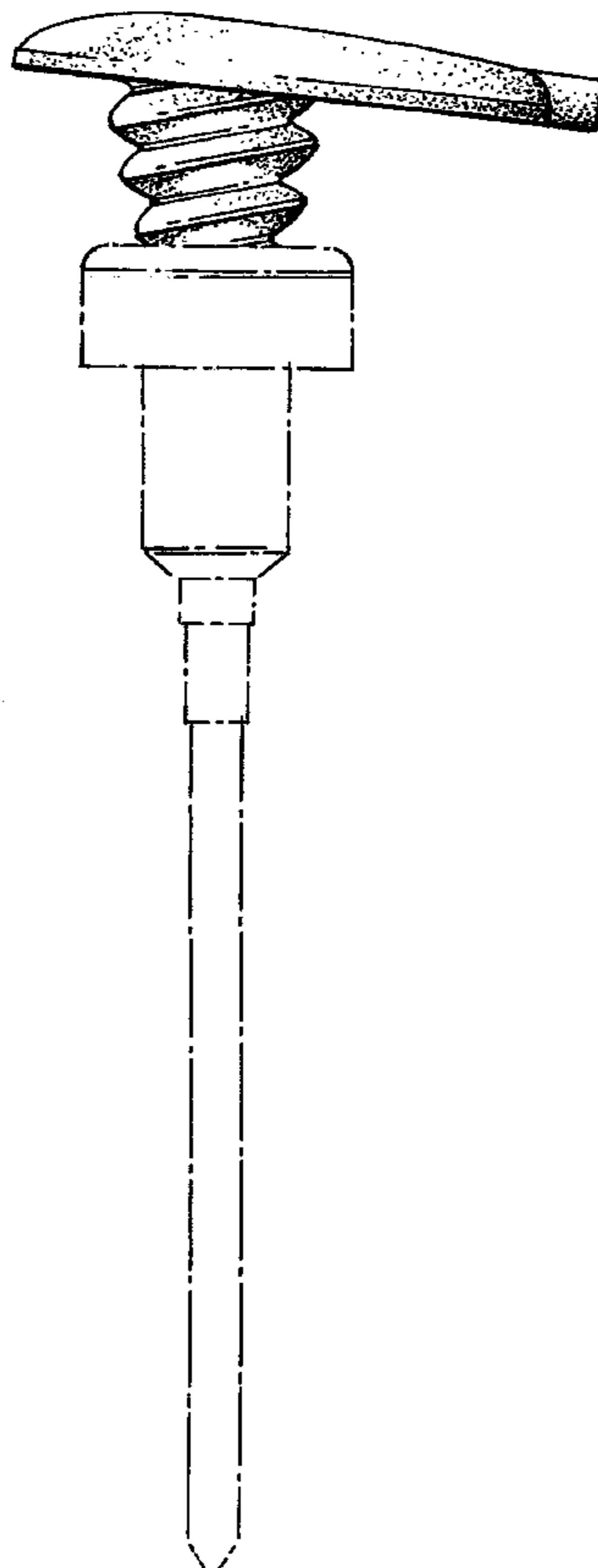
The ornamental design for a dosing cap, as shown and described.

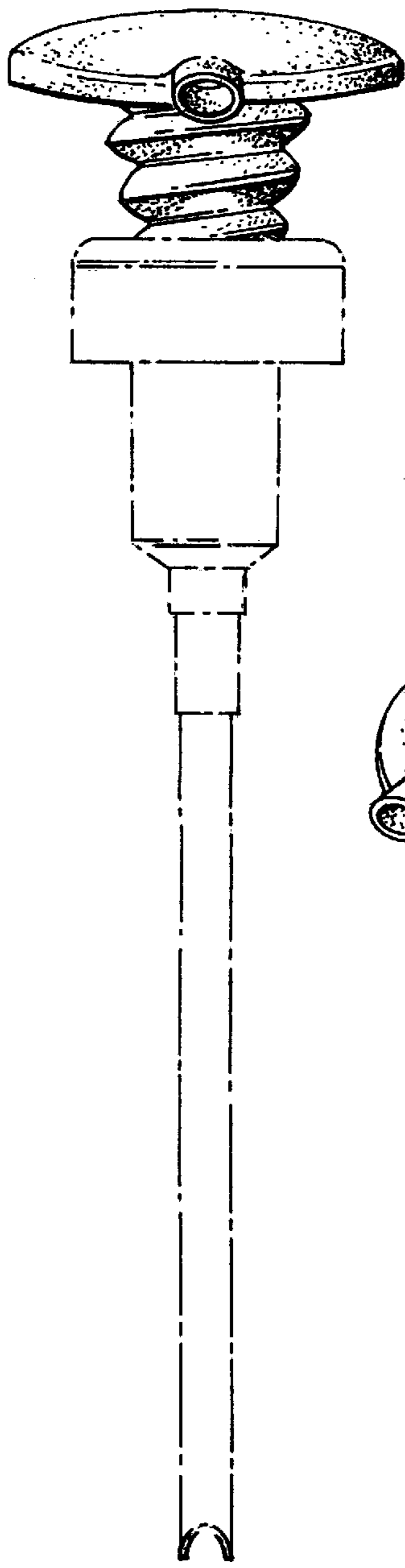
**DESCRIPTION**

FIG. 1 is a perspective view of a dosing cap according to an embodiment of the invention;  
 FIG. 2 is a front elevation of the dosing cap shown in FIG. 1;  
 FIG. 3 is a rear elevation of the dosing cap shown in FIG. 1;  
 FIG. 4 is a right side elevation of the dosing cap shown in FIG. 1, the left side is identical;  
 FIG. 5 is a top view of the dosing cap shown in FIG. 1;  
 FIG. 6 is a bottom view of the dosing cap shown in FIG. 1;  
 FIG. 7 is a perspective view of a dosing cap in accordance with another embodiment of the invention;  
 FIG. 8 is a front elevation of the dosing cap shown in FIG. 7;  
 FIG. 9 is a rear elevation of the dosing cap shown in FIG. 7;  
 FIG. 10 is a right side elevation of the dosing cap shown in FIG. 7, the left side is identical;  
 FIG. 11 is a top view of the dosing cap shown in FIG. 7; and,  
 FIG. 12 is a bottom view of the dosing cap shown in FIG. 7.

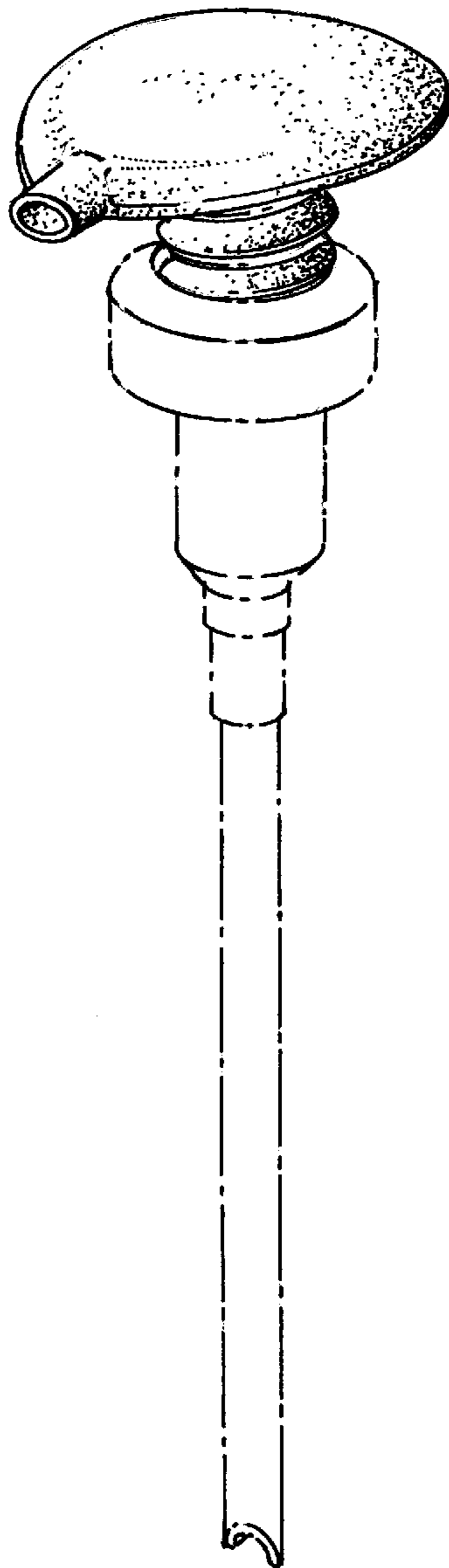
The broken line showing of a cap portion and tube is for illustrative purposes only and forms no part of the claimed design.

**1 Claim, 4 Drawing Sheets**

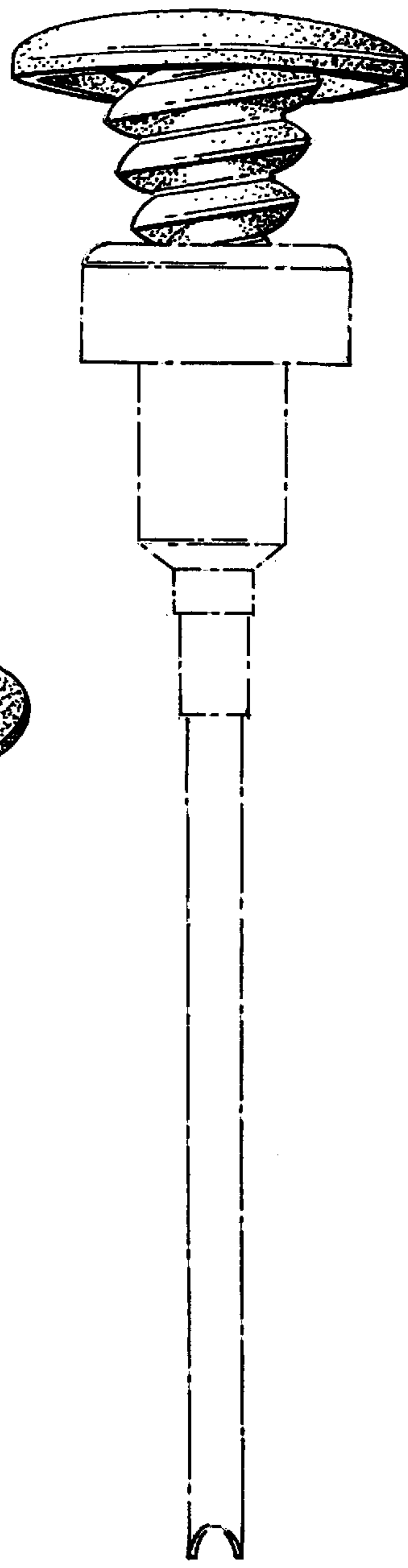




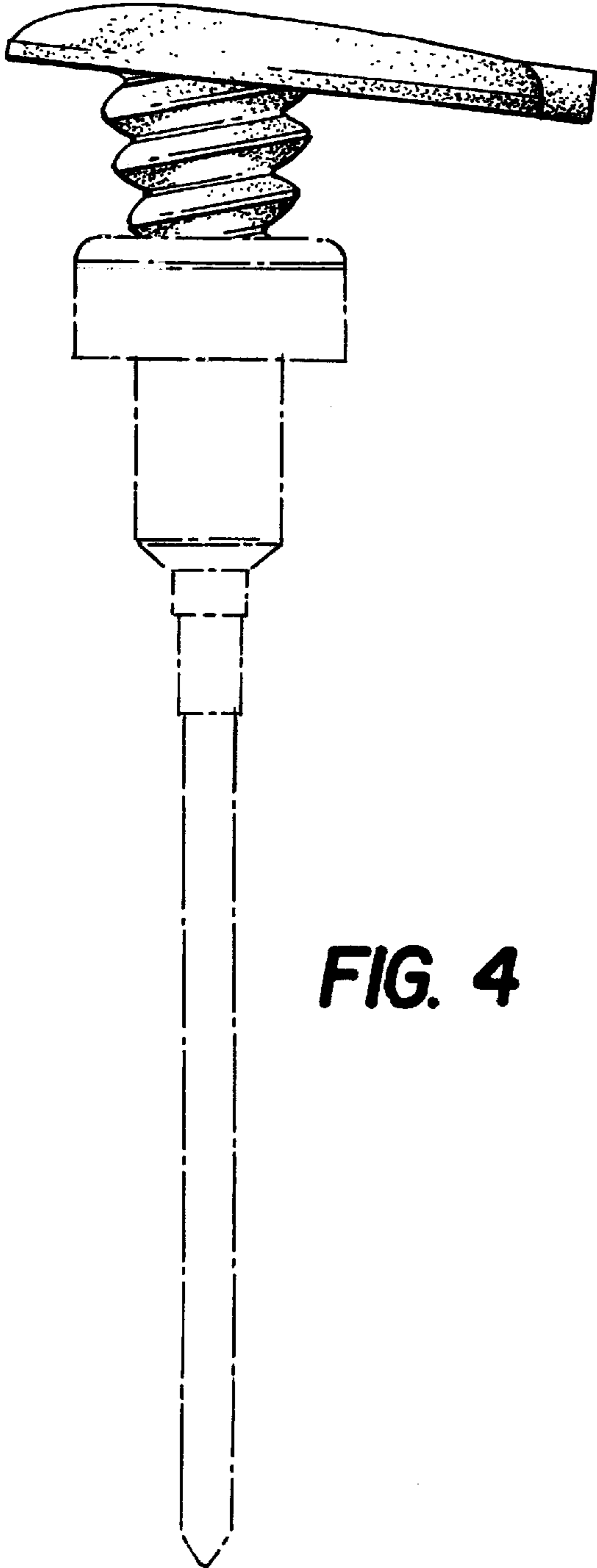
**FIG. 2**



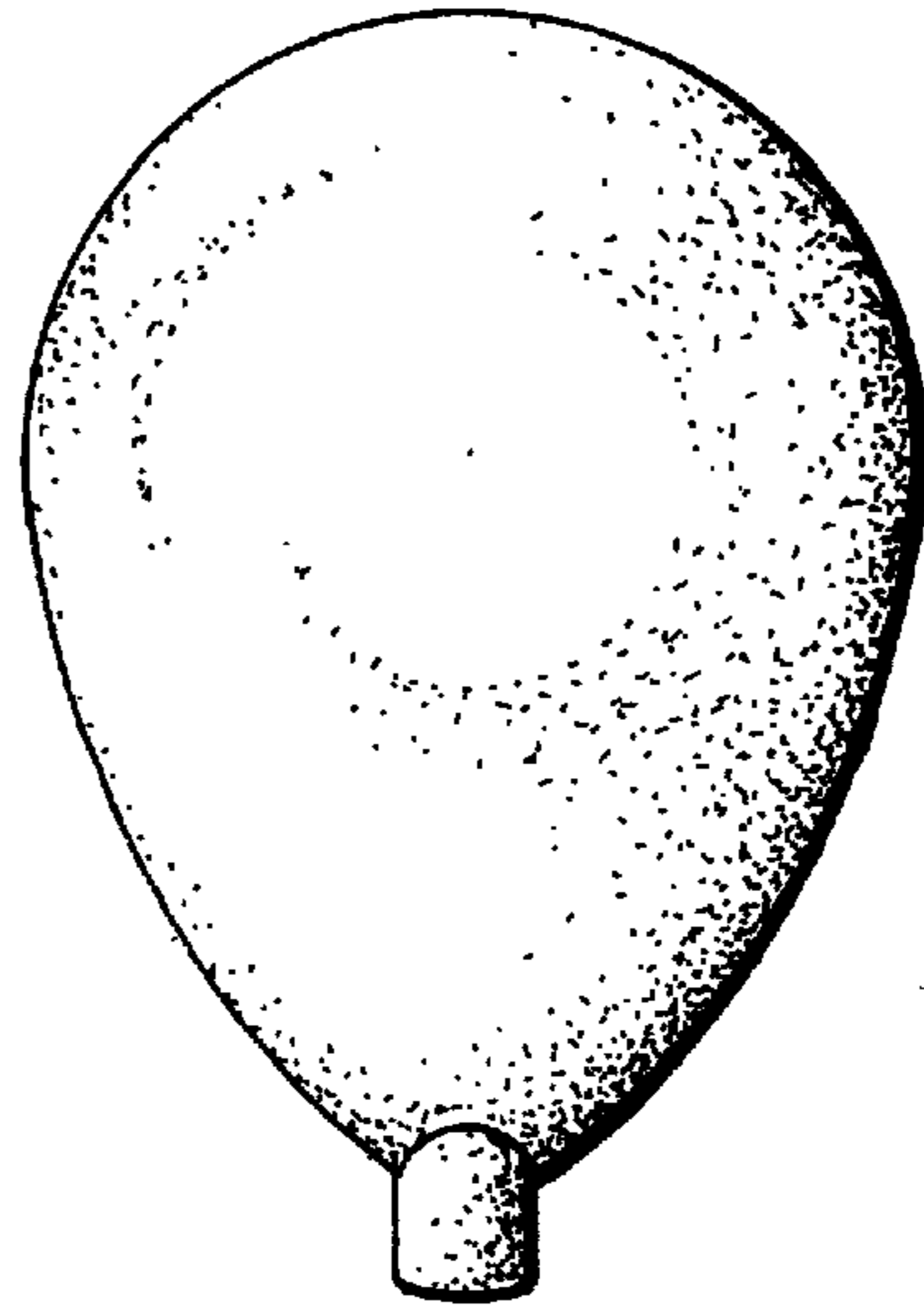
**FIG. 1**



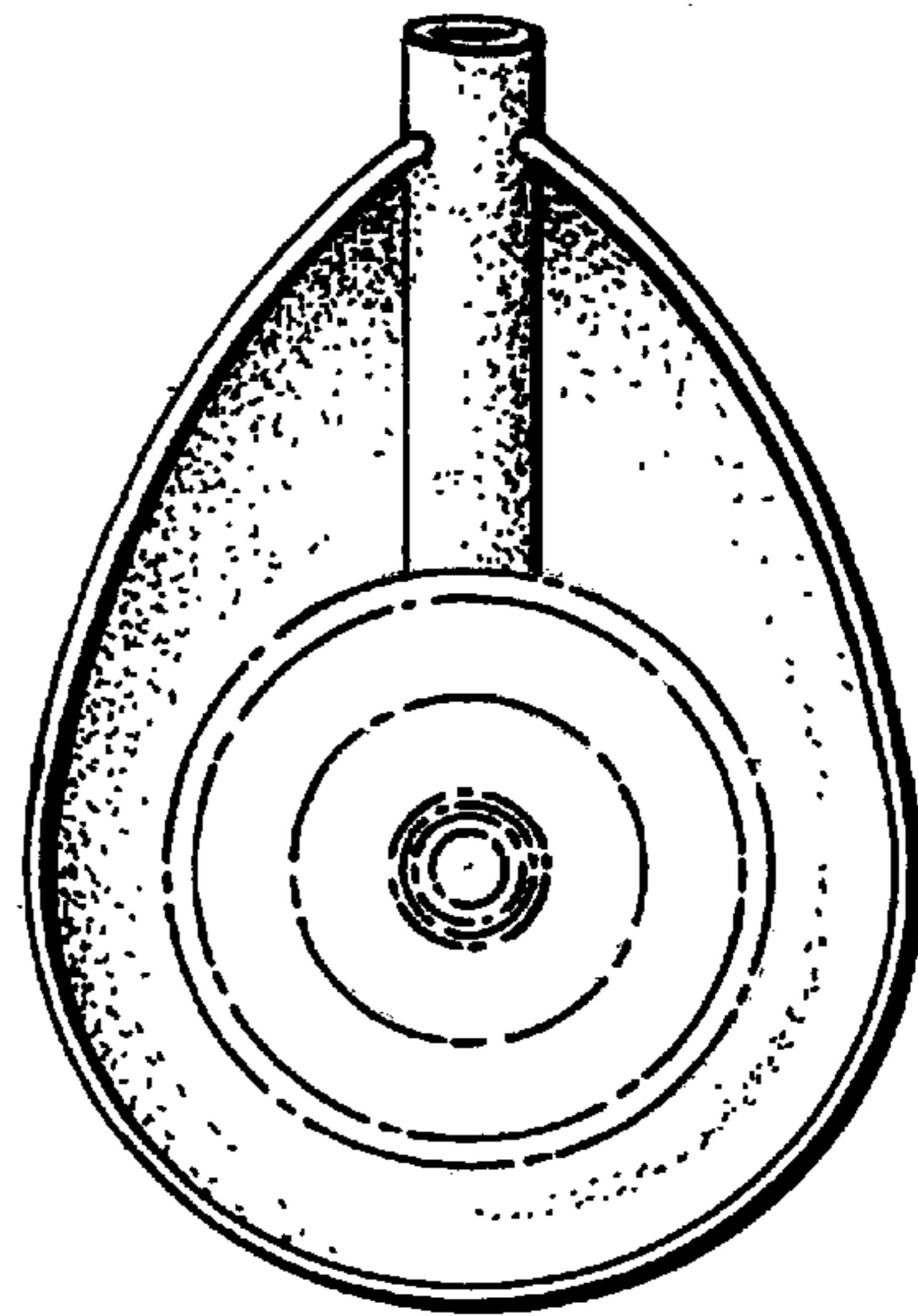
**FIG. 3**



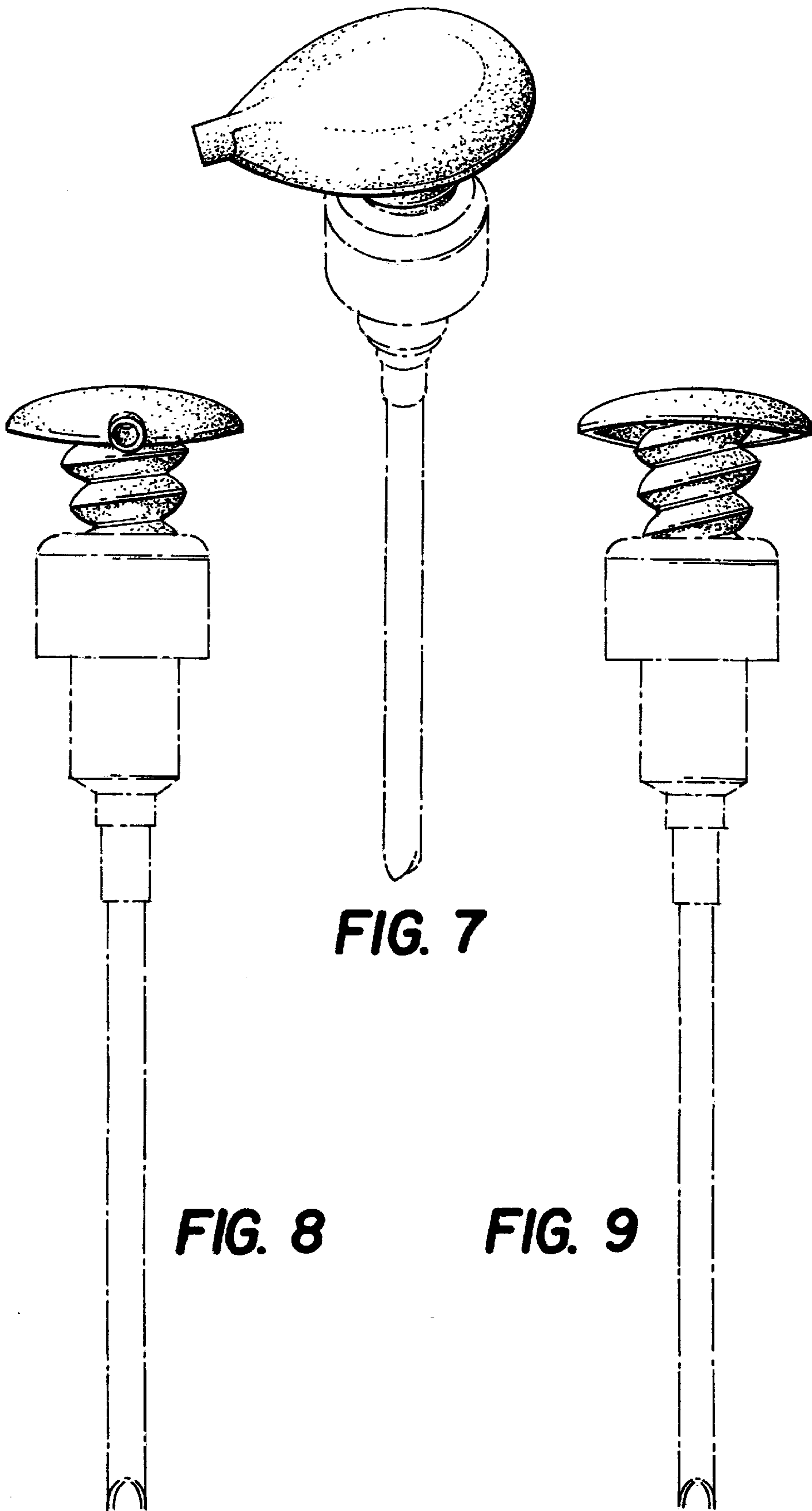
**FIG. 4**



**FIG. 5**



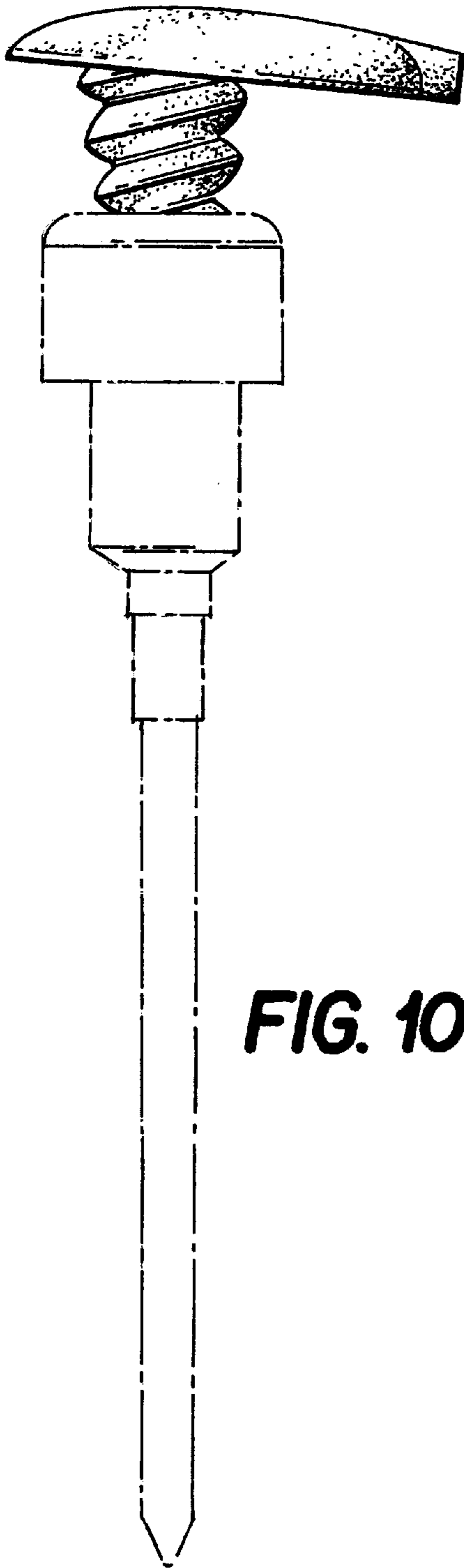
**FIG. 6**



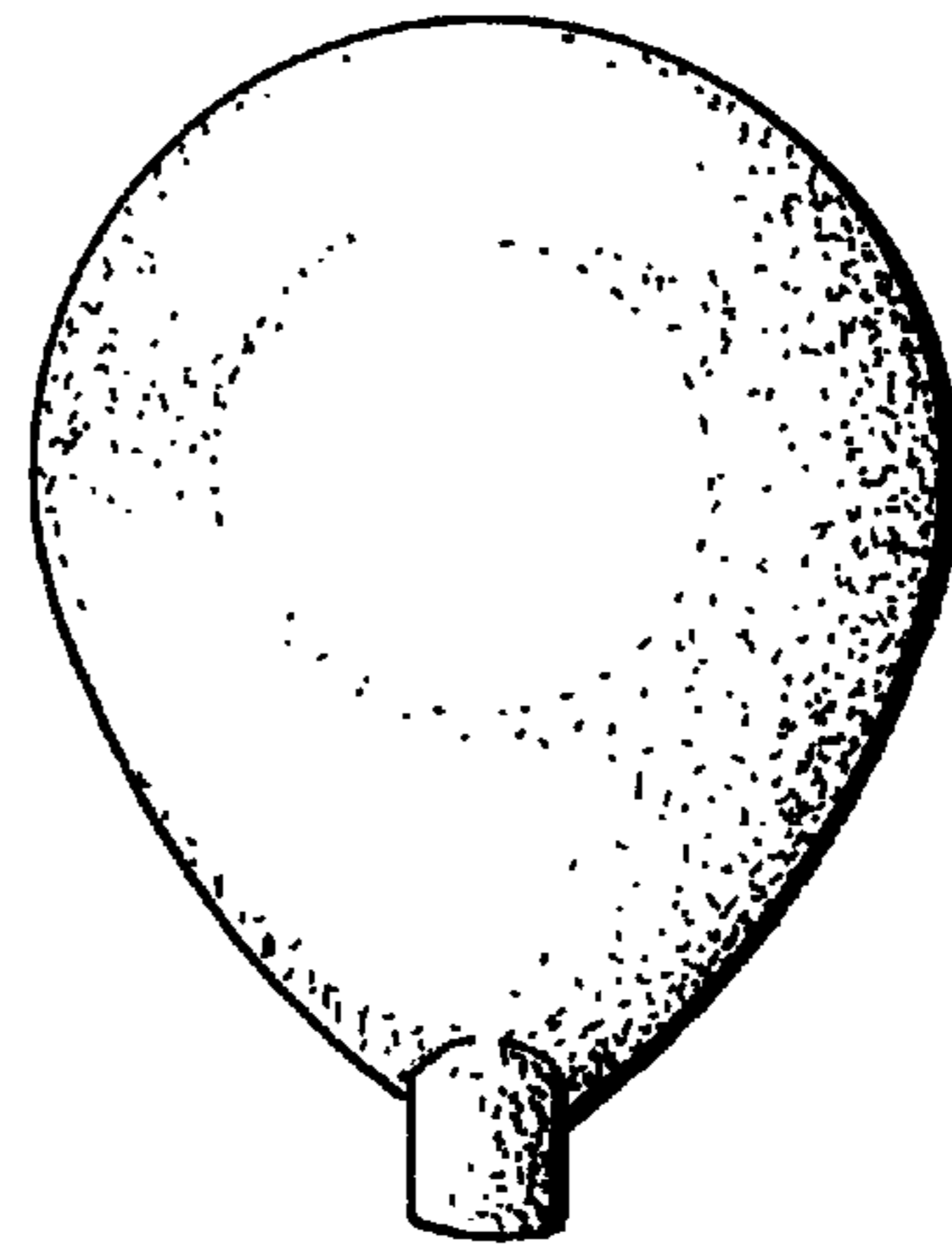
**FIG. 7**

**FIG. 8**

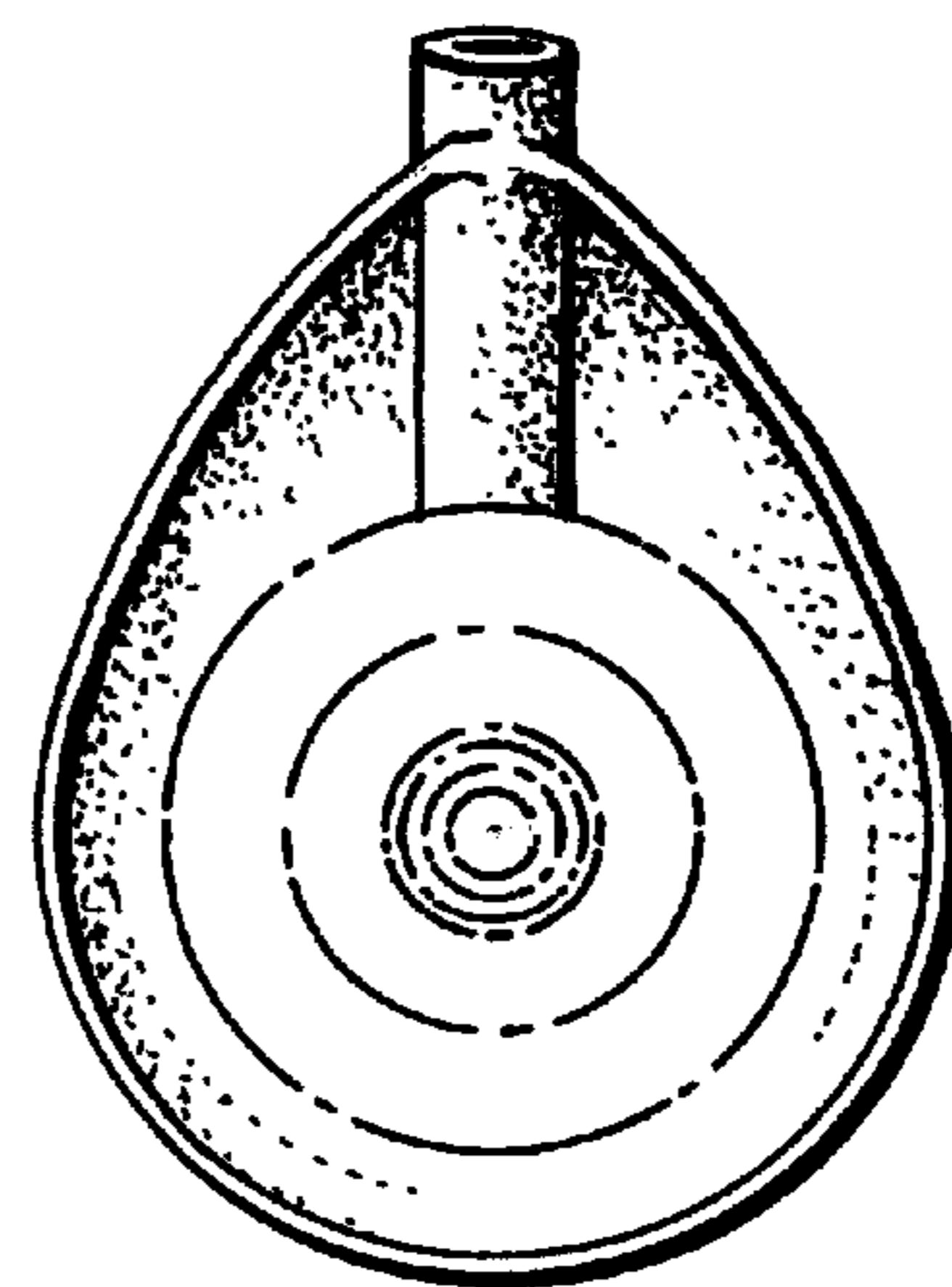
**FIG. 9**



**FIG. 10**



**FIG. 11**



**FIG. 12**