



US00D424440S

United States Patent [19]

Wilkinson et al.

[11] Patent Number: Des. 424,440

[45] Date of Patent: ** May 9, 2000

[54] TUBE CAP

[75] Inventors: **Bradley Mark Wilkinson**, North Haledon; **Robert S. Golabek, Jr.**, Towaco, both of N.J.

[73] Assignee: **Becton, Dickinson and Company**, Franklin Lakes, N.J.

[**] Term: 14 Years

[21] Appl. No.: 29/108,999

[22] Filed: Aug. 6, 1999

[51] LOC (7) Cl. 09-07

[52] U.S. Cl. D9/446; D9/450; D9/453; D24/224

[58] Field of Search D9/435, 440, 447, D9/449, 450, 453; D24/224; 215/50, 235, 236, 237, 247, 248, 320; 220/212, 334-336, 375; 222/111, 562; 422/102, 103

[56] **References Cited**

U.S. PATENT DOCUMENTS

D. 197,926	4/1964	Stull	D9/446
D. 256,053	7/1980	Steigerwald	D24/224
D. 265,060	6/1982	Blank	D9/446
D. 290,323	6/1987	Weernink	D9/453 X
5,361,921	11/1994	Burns	215/320
5,429,256	7/1995	Kestenbaum	215/247
5,456,886	10/1995	Burns	422/103
5,458,113	10/1995	Burns	128/763

5,494,170	2/1996	Burns	215/247
5,552,117	9/1996	Burns	422/102
5,595,314	1/1997	Weiler	215/50
5,632,396	5/1997	Burns	215/247
5,699,923	12/1997	Burns	215/247
5,738,233	4/1998	Burns	215/247
5,779,074	7/1998	Burns	215/247
5,850,953	12/1998	Dallas, Jr.	222/111 X

Primary Examiner—Cathron B. Matta
Attorney, Agent, or Firm—Keith J. McWha

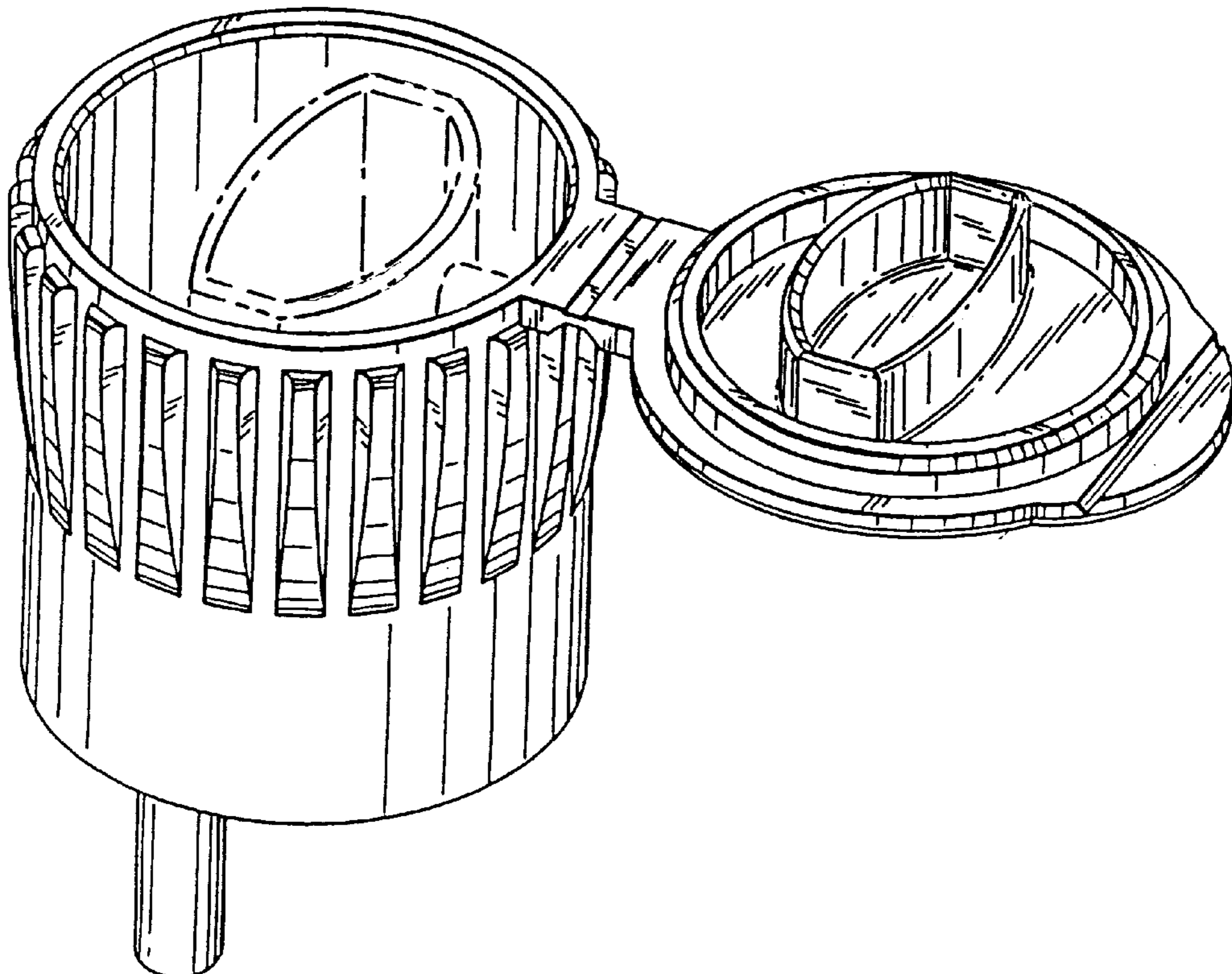
[57] **CLAIM**

The ornamental design for a tube cap, as shown and described.

DESCRIPTION

FIG. 1 is a perspective view of a tube cap, showing our design;
FIG. 2 is a top-plan view of the tube cap of FIG. 1;
FIG. 3 is a front elevational view of the tube cap of FIG. 1, the rear elevational view being a mirror image thereof;
FIG. 4 is a right-side elevational view of the tube cap of FIG. 1;
FIG. 5 is a left-side elevational view of the tube cap of FIG. 1; and,
FIG. 6 is a bottom-plan view of the tube cap of FIG. 1.
The broken line showing of interior elements shown in FIGS. 1, 2, and 6 is for illustrative purposes only and forms no part of the claimed design.

1 Claim, 3 Drawing Sheets



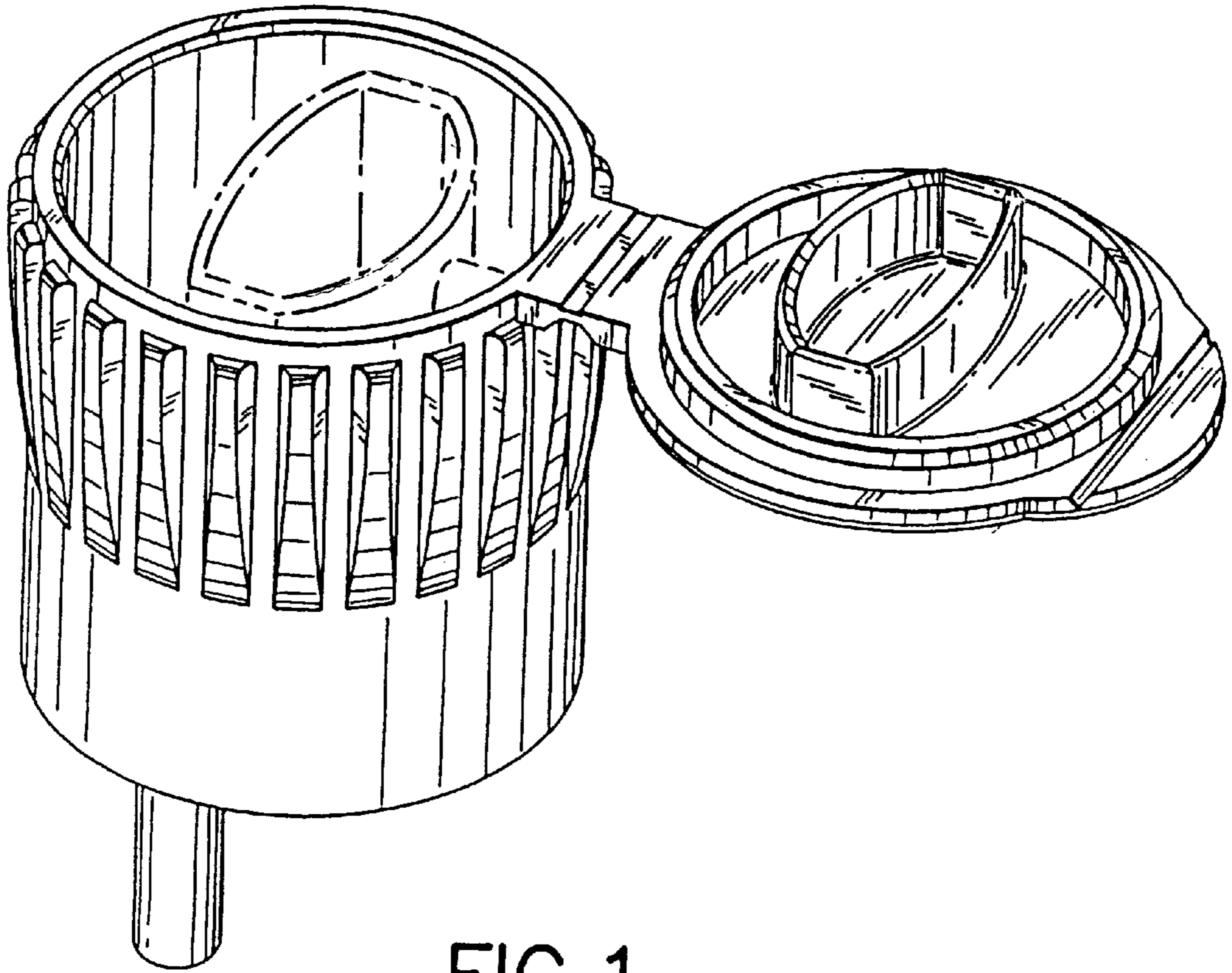


FIG. 1

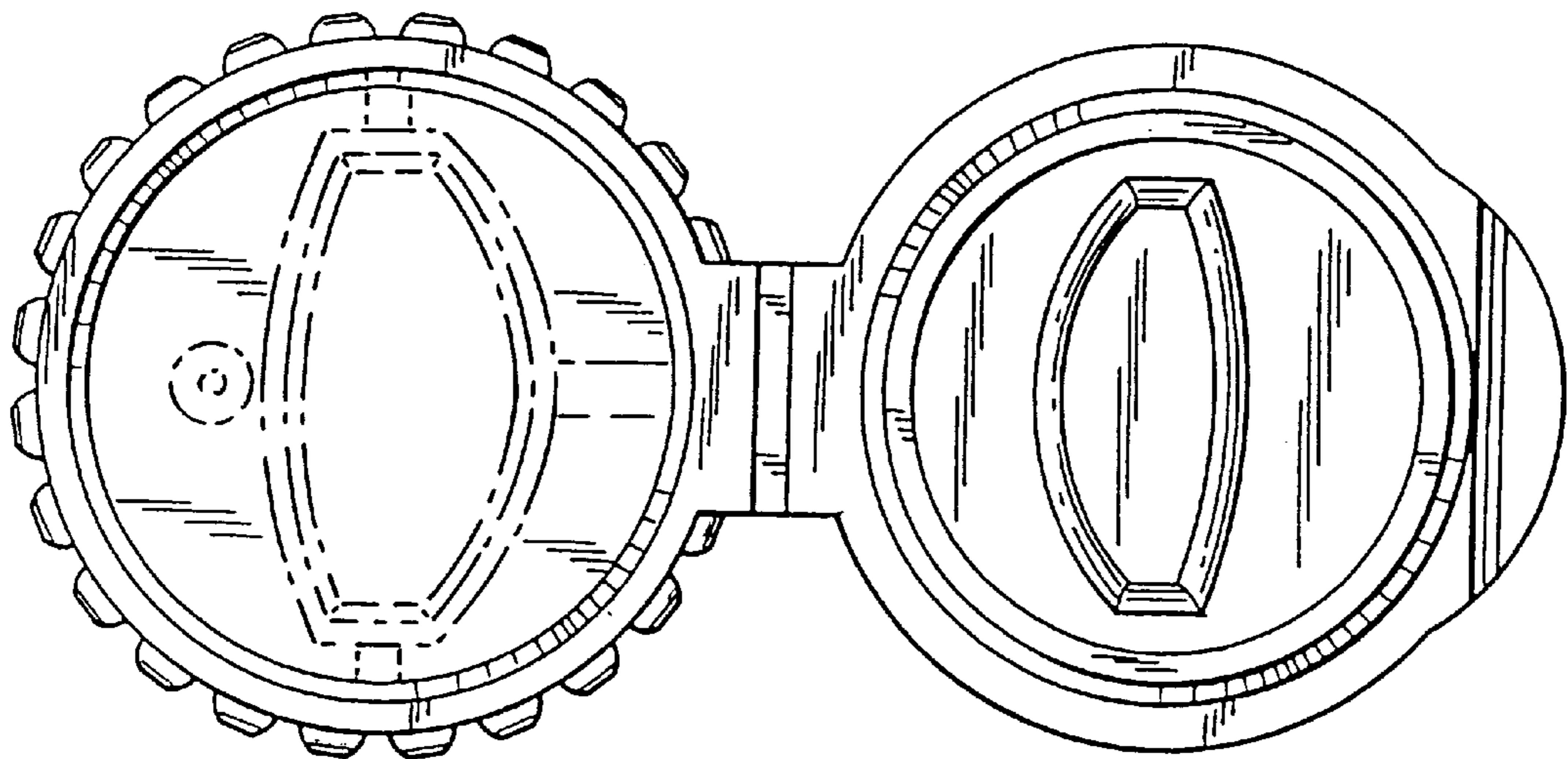
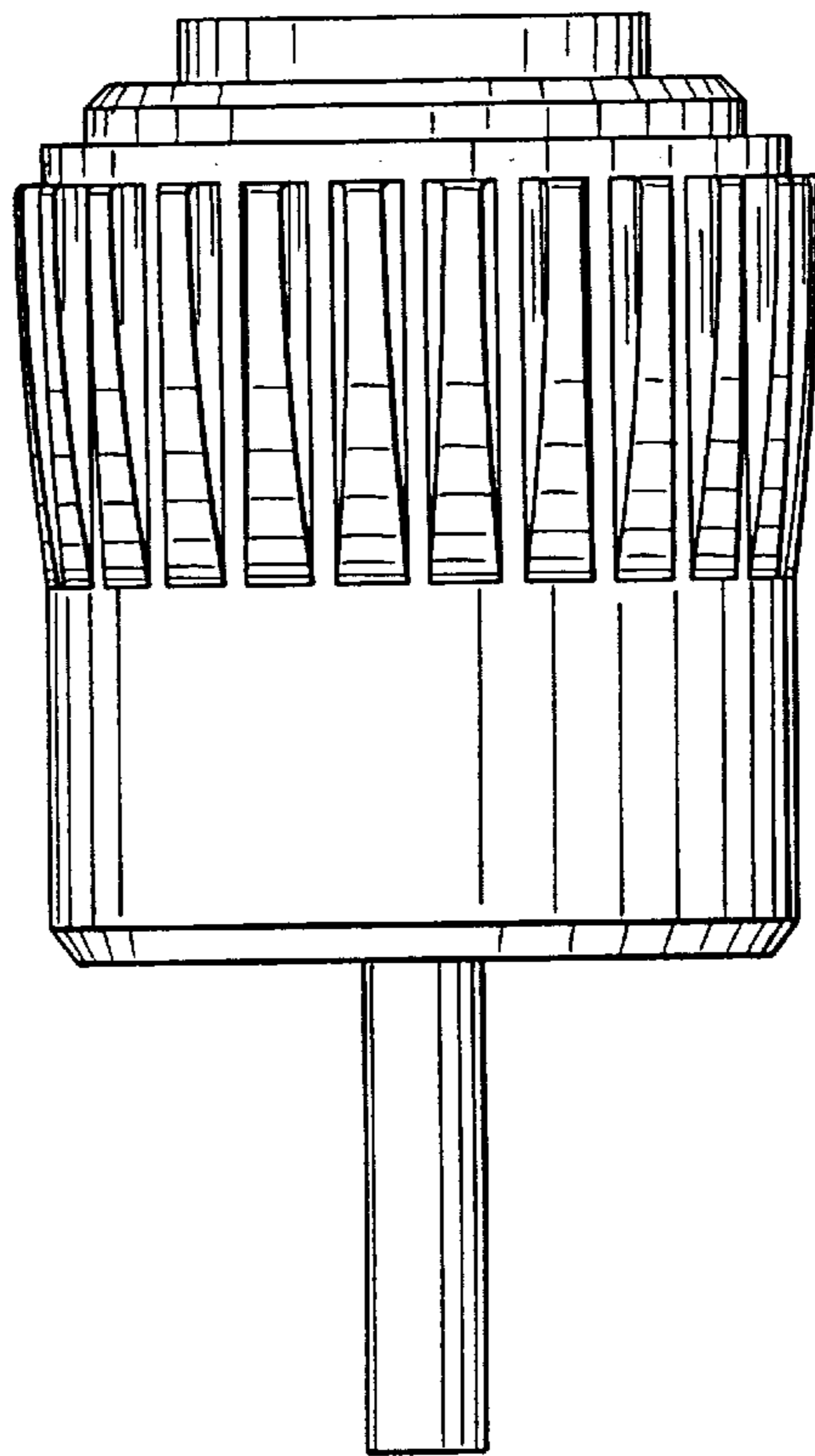
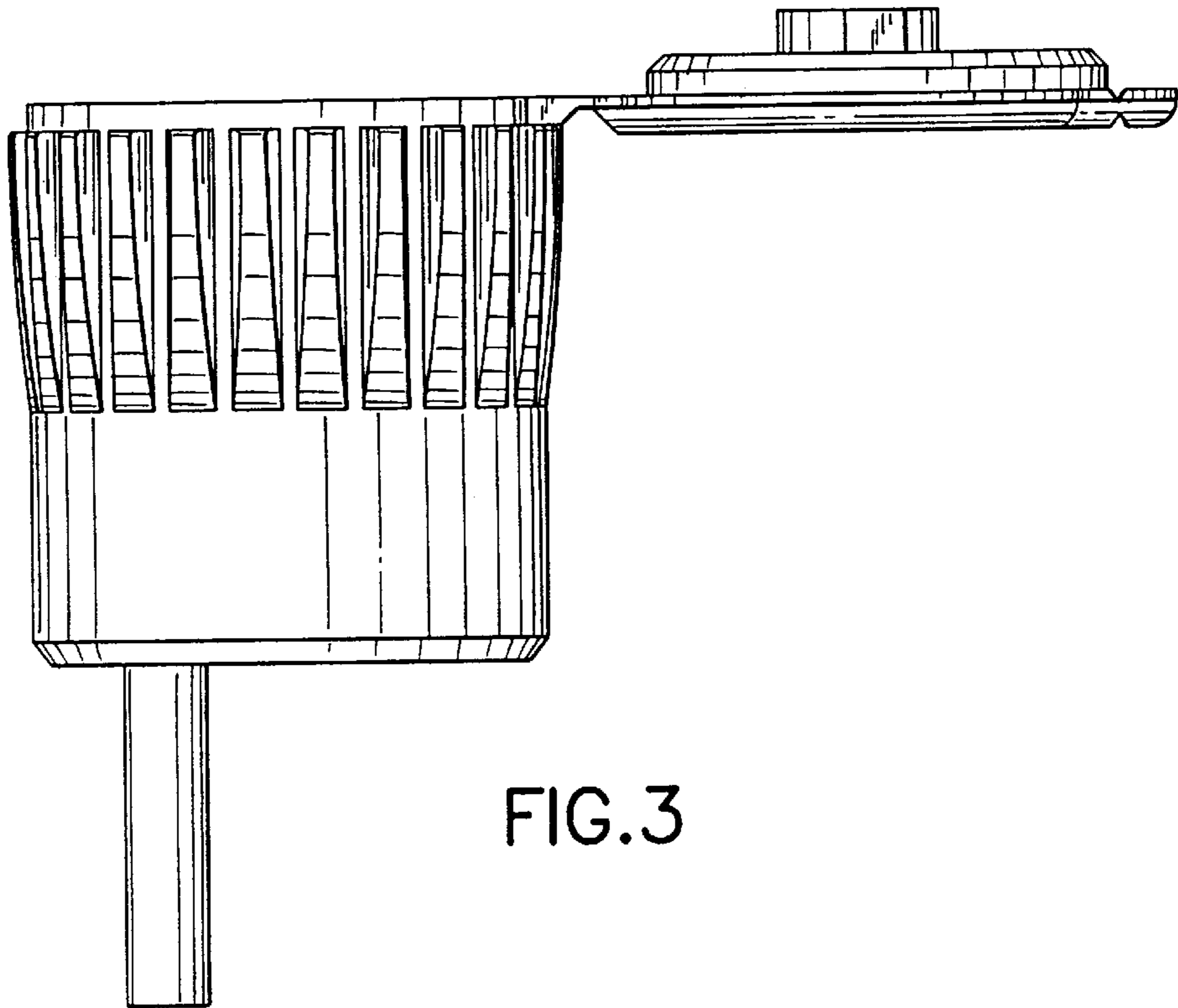


FIG. 2



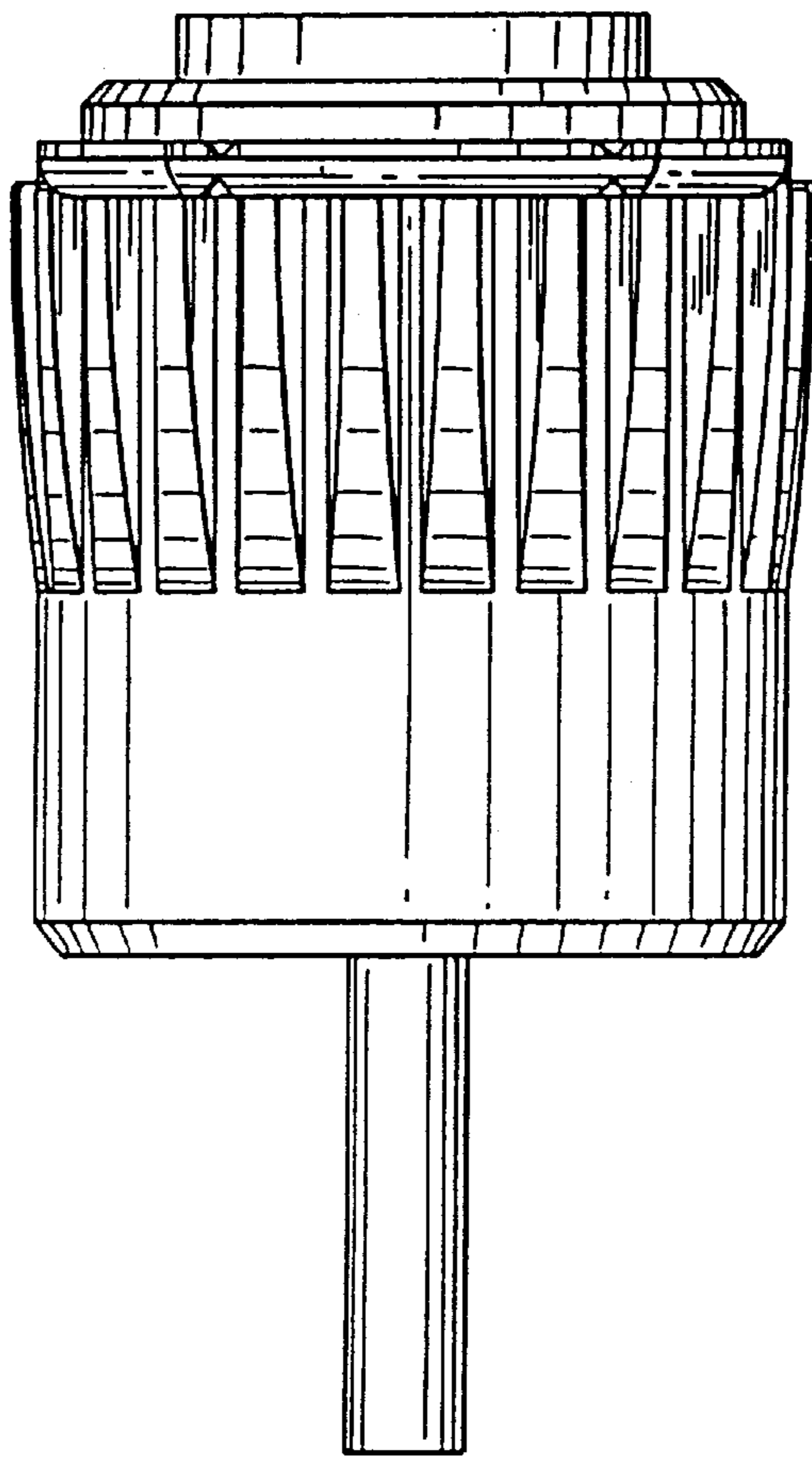


FIG. 5

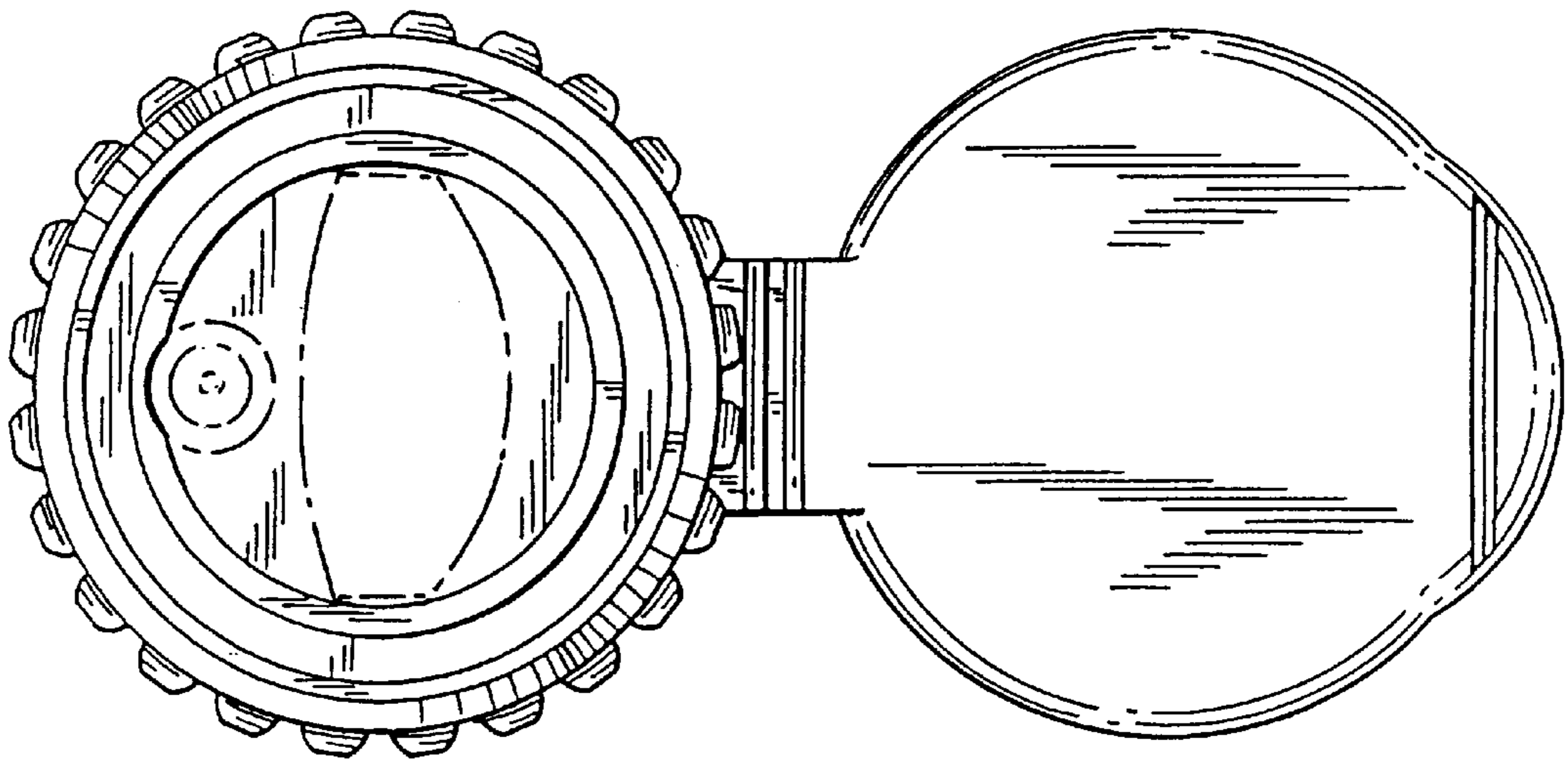


FIG. 6