



US00D424439S

United States Patent [19]
Daniels

[11] **Patent Number: Des. 424,439**

[45] **Date of Patent: ** May 9, 2000**

[54] **END CAP**

[75] Inventor: **James L. Daniels**, Freeport, Ill.

[73] Assignee: **Newell Window Furnishings, Inc.**, Freeport, Ill.

[**] Term: **14 Years**

[21] Appl. No.: **29/093,197**

[22] Filed: **Sep. 4, 1998**

[51] **LOC (7) Cl.** **09-07**

[52] **U.S. Cl.** **D9/439; D9/435**

[58] **Field of Search** D9/435, 439, 440,
D9/443, 445, 414, 432; D3/323; D6/580;
206/326; 220/315, 323, 324

[56] **References Cited**

U.S. PATENT DOCUMENTS

D. 254,958	5/1980	Dugan et al.	D9/435
D. 273,837	5/1984	DeCoster	D9/435 X
D. 393,369	4/1998	Tanji	D3/323
D. 401,854	12/1998	De Coster et al.	D9/435
4,792,055	12/1988	Schupack et al.	220/324

FOREIGN PATENT DOCUMENTS

M 9700837 7/1997 Germany .

Primary Examiner—Cathron B. Matta
Attorney, Agent, or Firm—Foley & Lardner

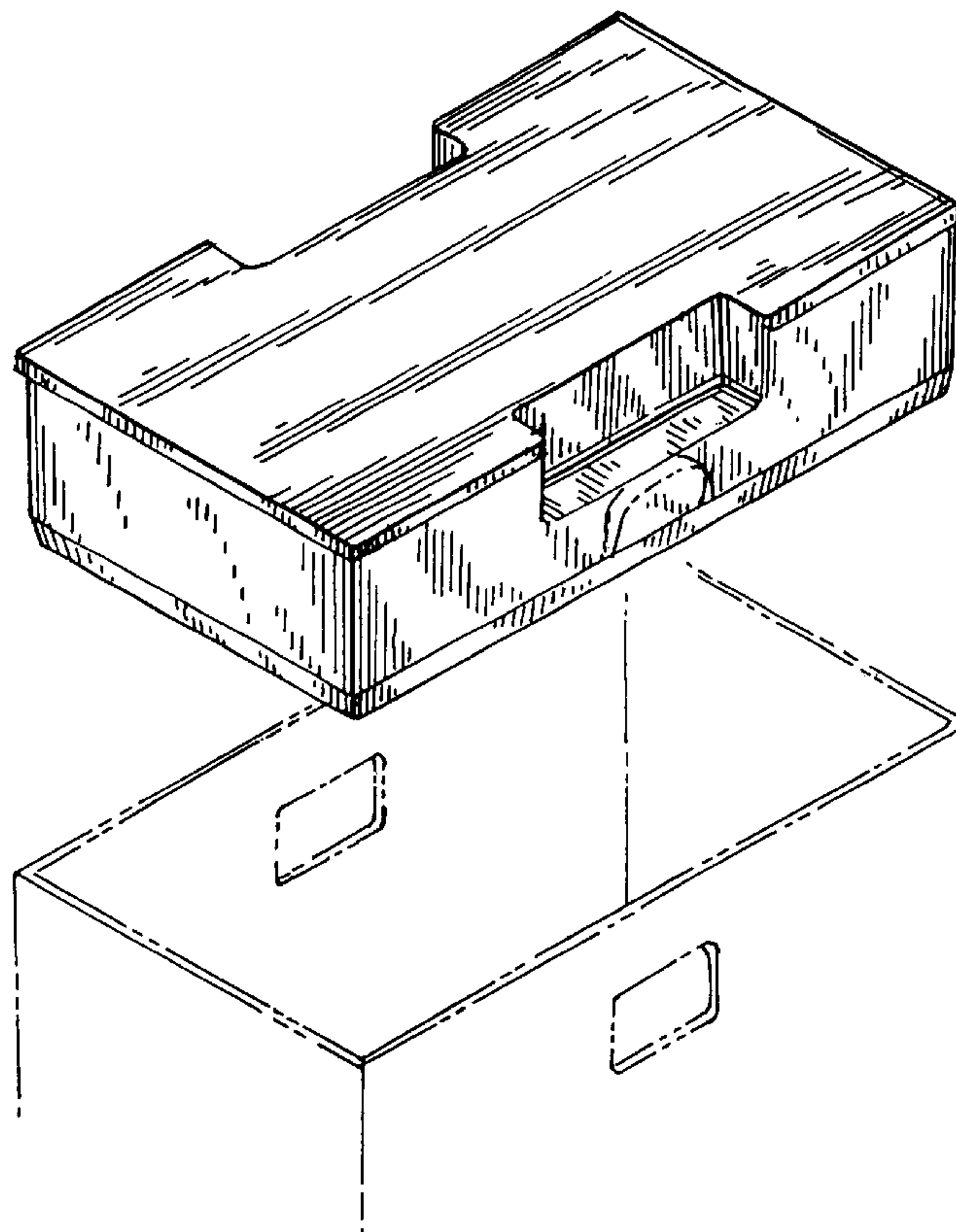
[57] **CLAIM**

The ornamental design for the end cap, as shown and described.

DESCRIPTION

FIG. 1 is a perspective view of one embodiment of the end cap, shown in use with the broken lines to indicate environment only and to form no part of the claimed design; FIG. 2 is a top plan view of the end cap shown in FIG. 1; FIG. 3 is a front elevational view of the end cap shown in FIG. 1, with the back side of the end cap being identical to that shown in FIG. 3; FIG. 4 is a bottom plan view of the end cap shown in FIG. 1; FIG. 5 is a left side elevational view of the end cap shown in FIG. 1, with the right side of the end cap being identical to that shown in FIG. 5; FIG. 6 is a perspective view of a second embodiment of the end cap; FIG. 7 is a top plan view of the end cap shown in FIG. 6; FIG. 8 is a front elevational view of the end cap shown in FIG. 6, with the back side of the end cap being identical to that shown in FIG. 8; FIG. 9 is a bottom plan view of the end cap shown in FIG. 6; and, FIG. 10 is a left side elevational view of the end cap shown in FIG. 6, with the right side of the end cap being identical to that shown in FIG. 10.

1 Claim, 3 Drawing Sheets



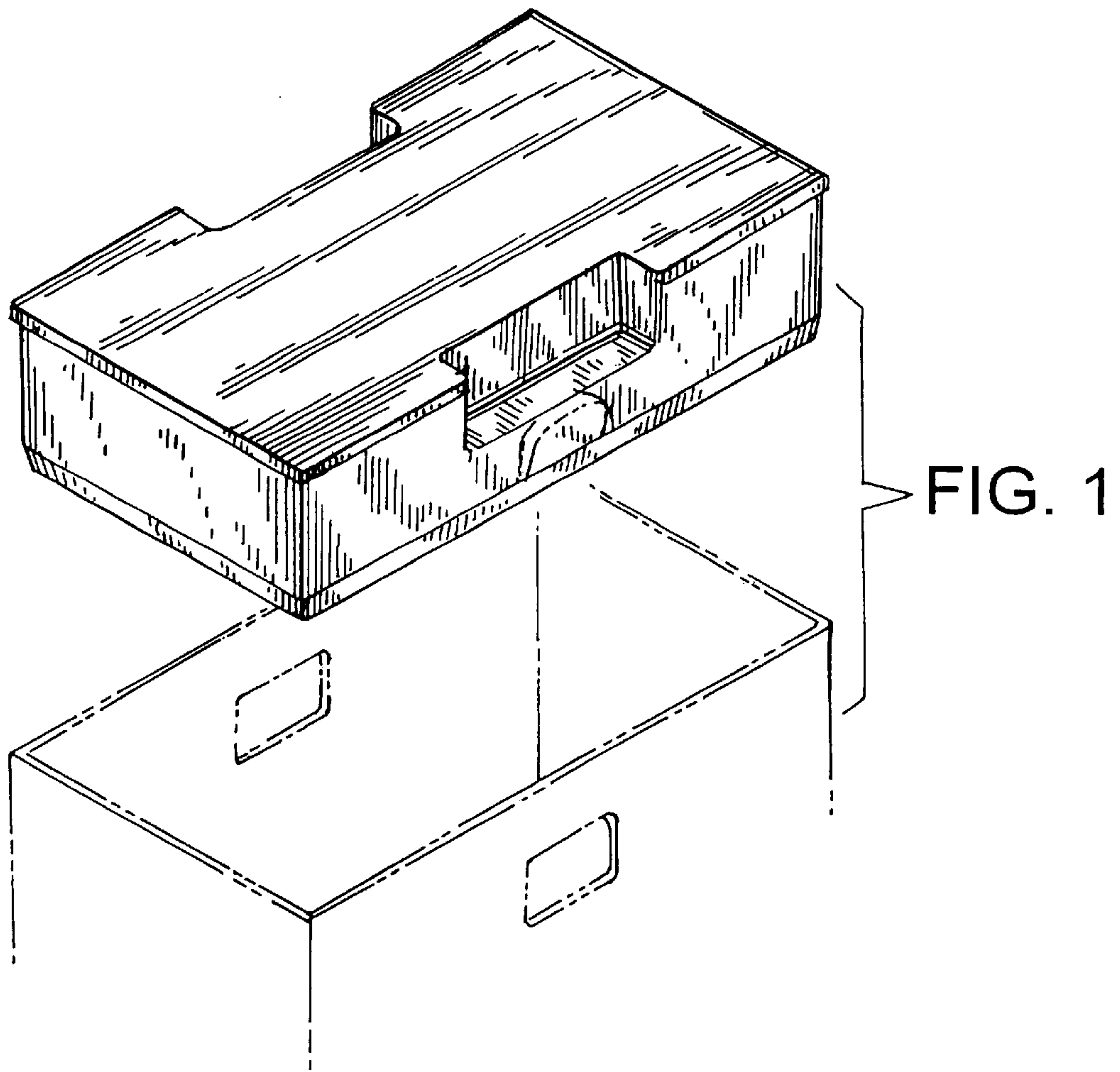


FIG. 2

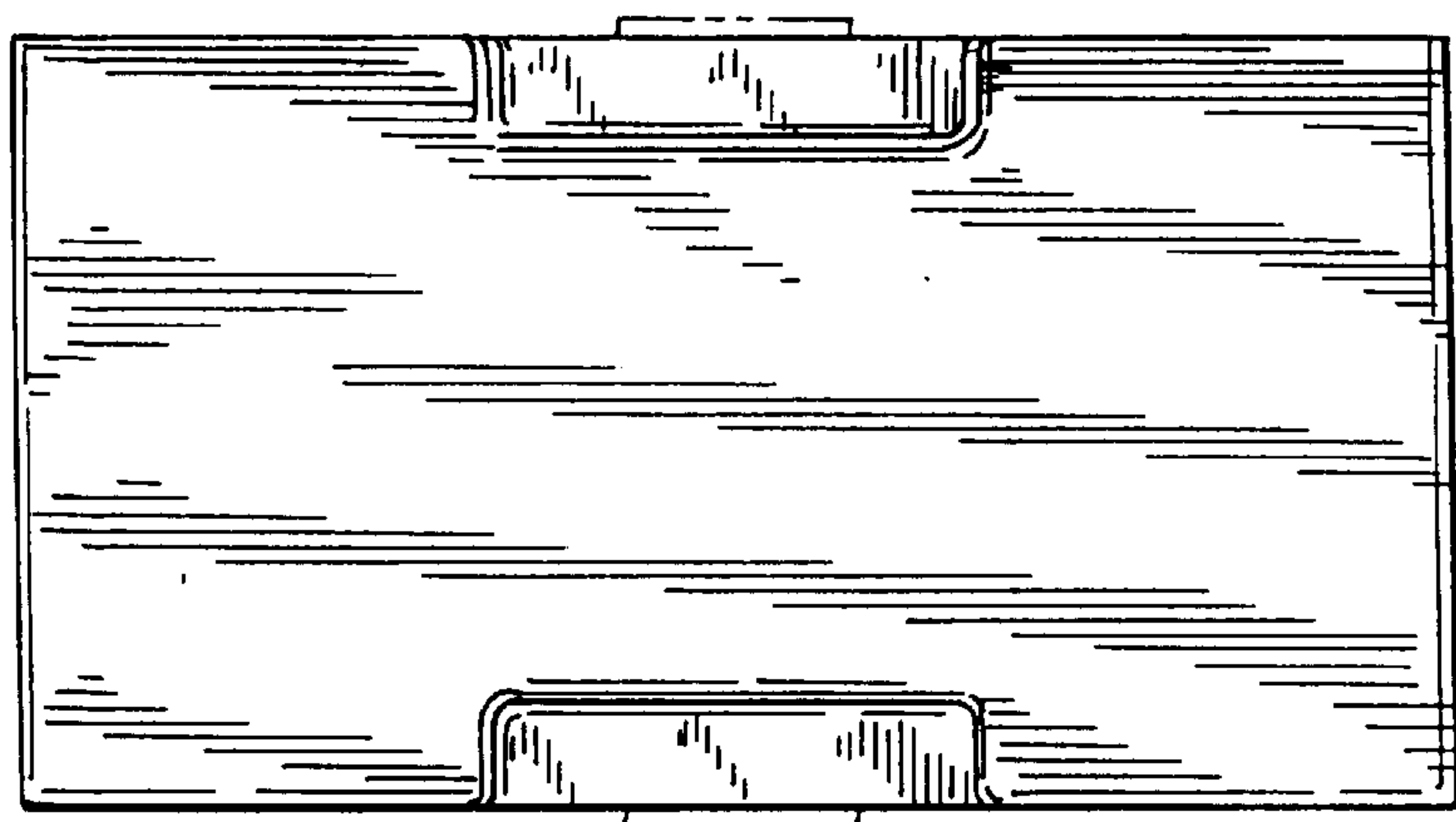


FIG. 3

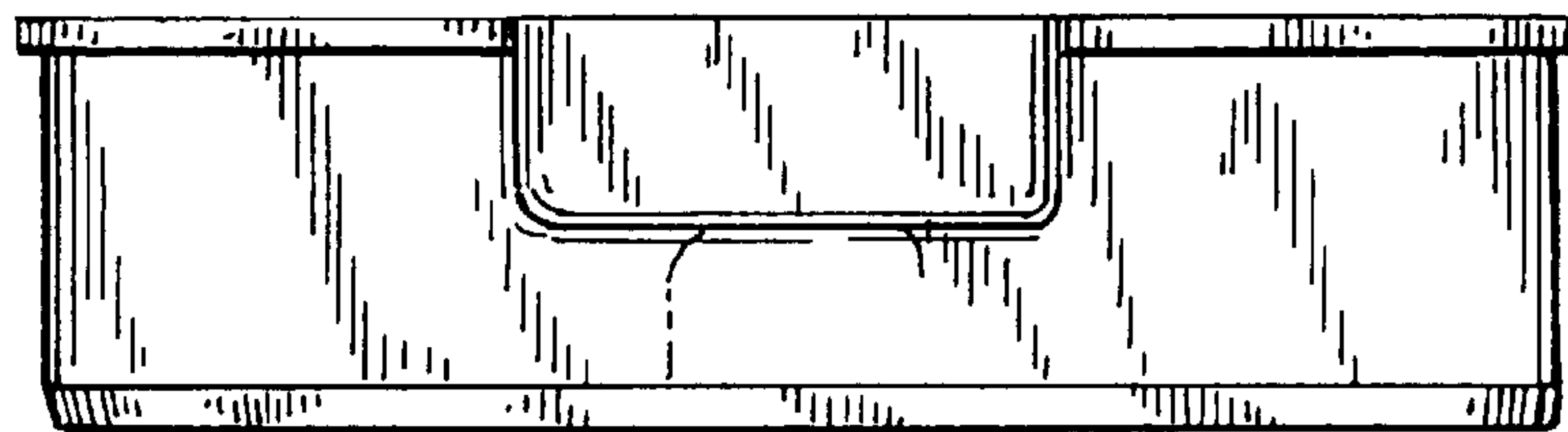


FIG. 4

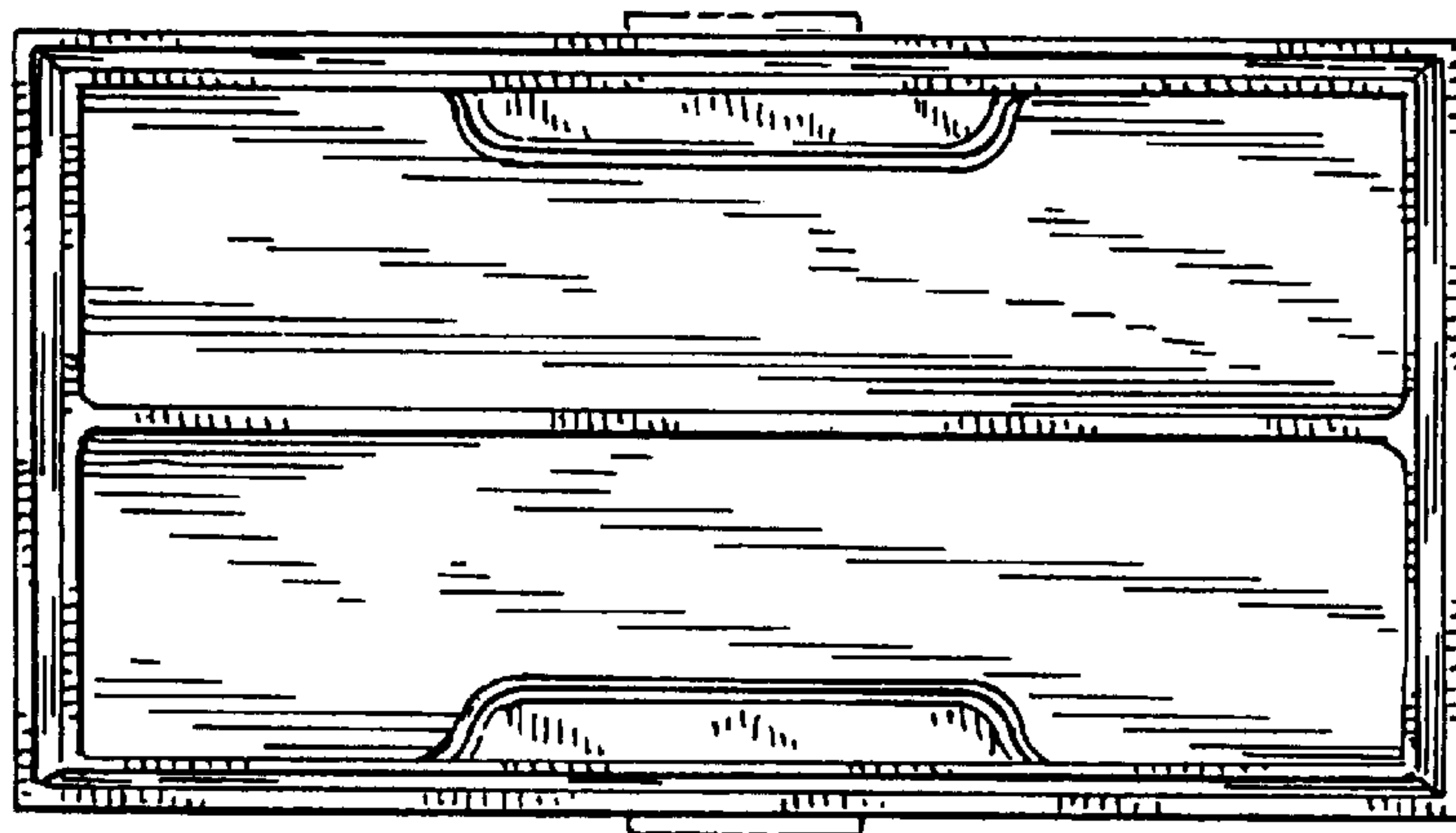


FIG. 5

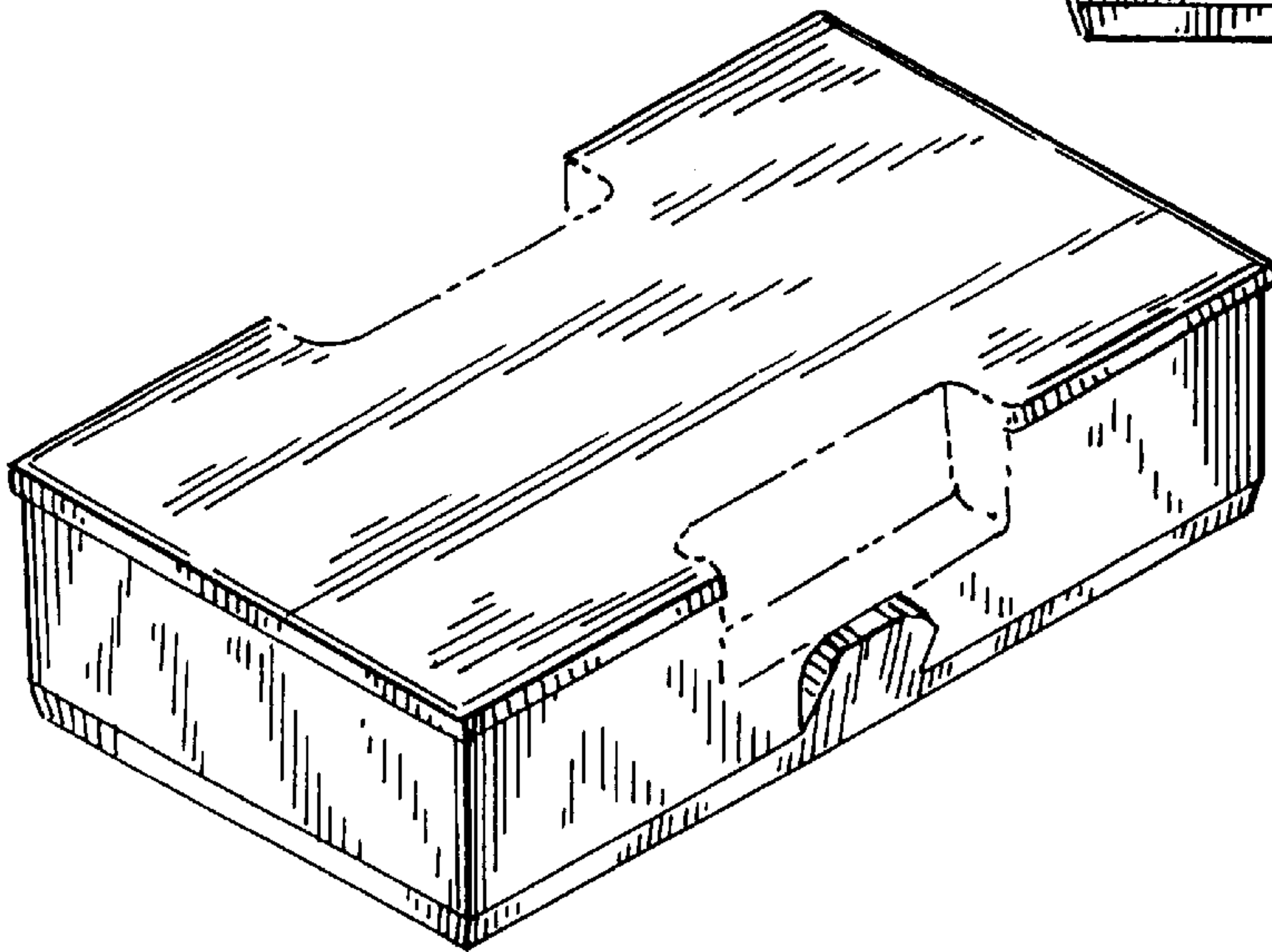
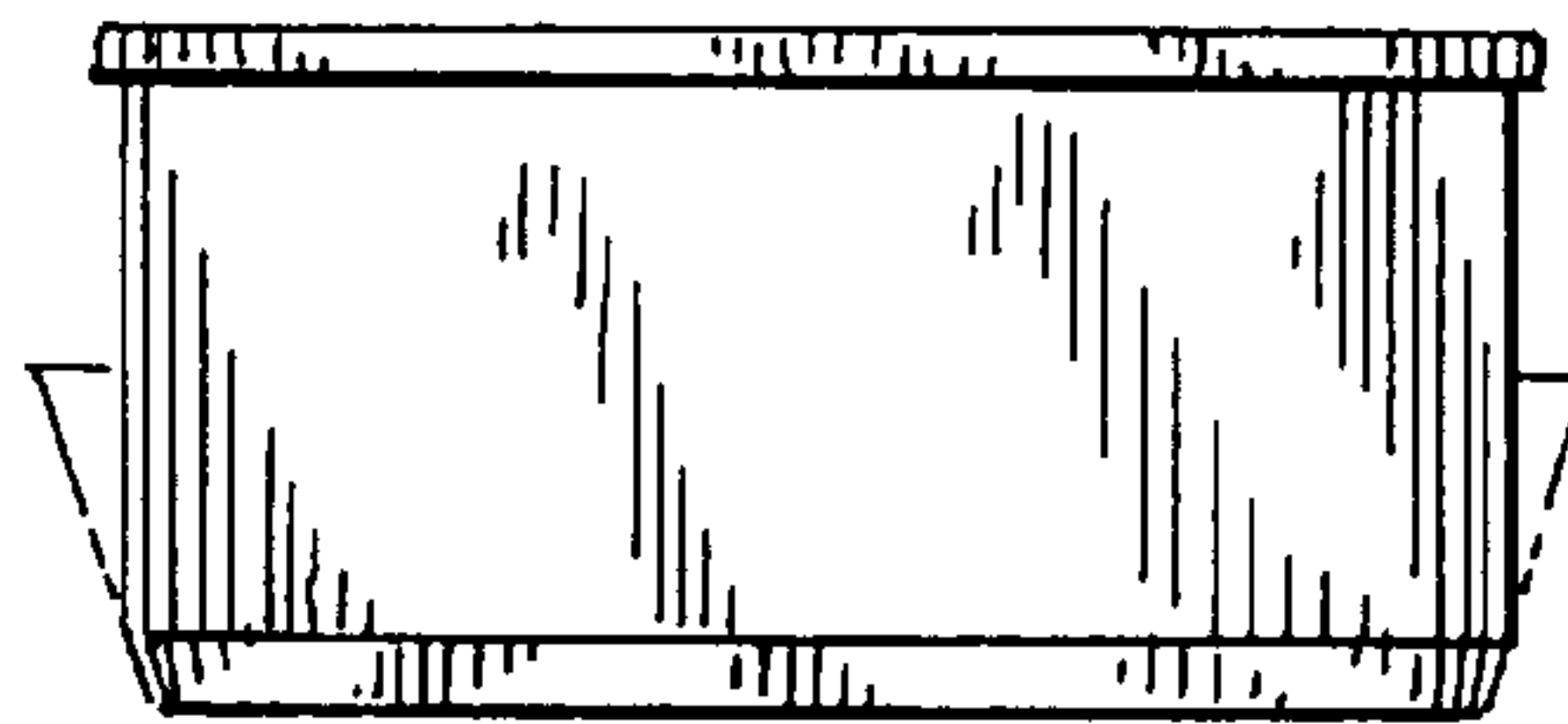
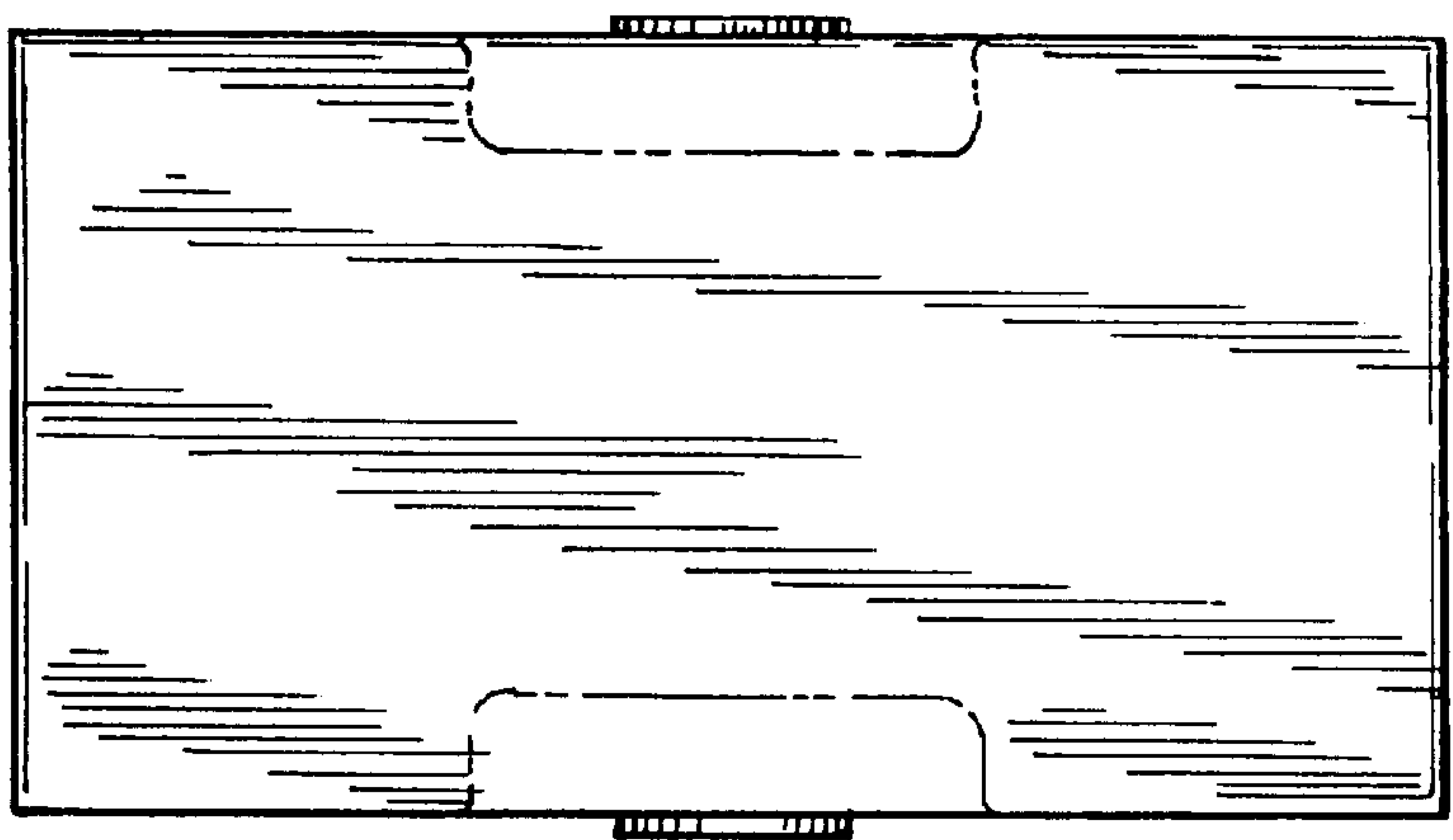


FIG. 6

FIG. 7



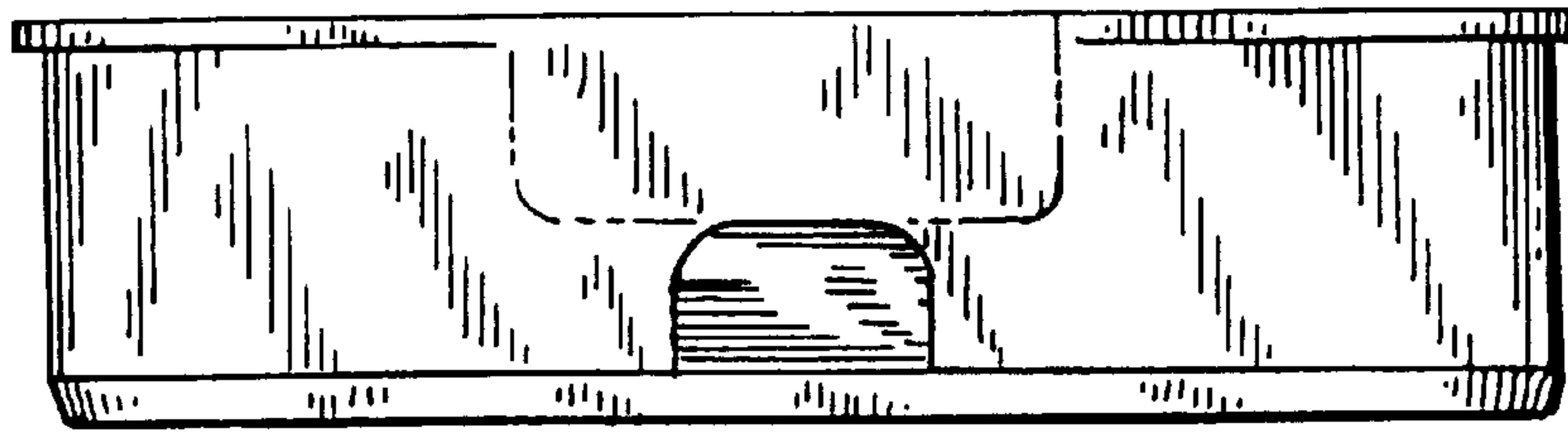


FIG. 8

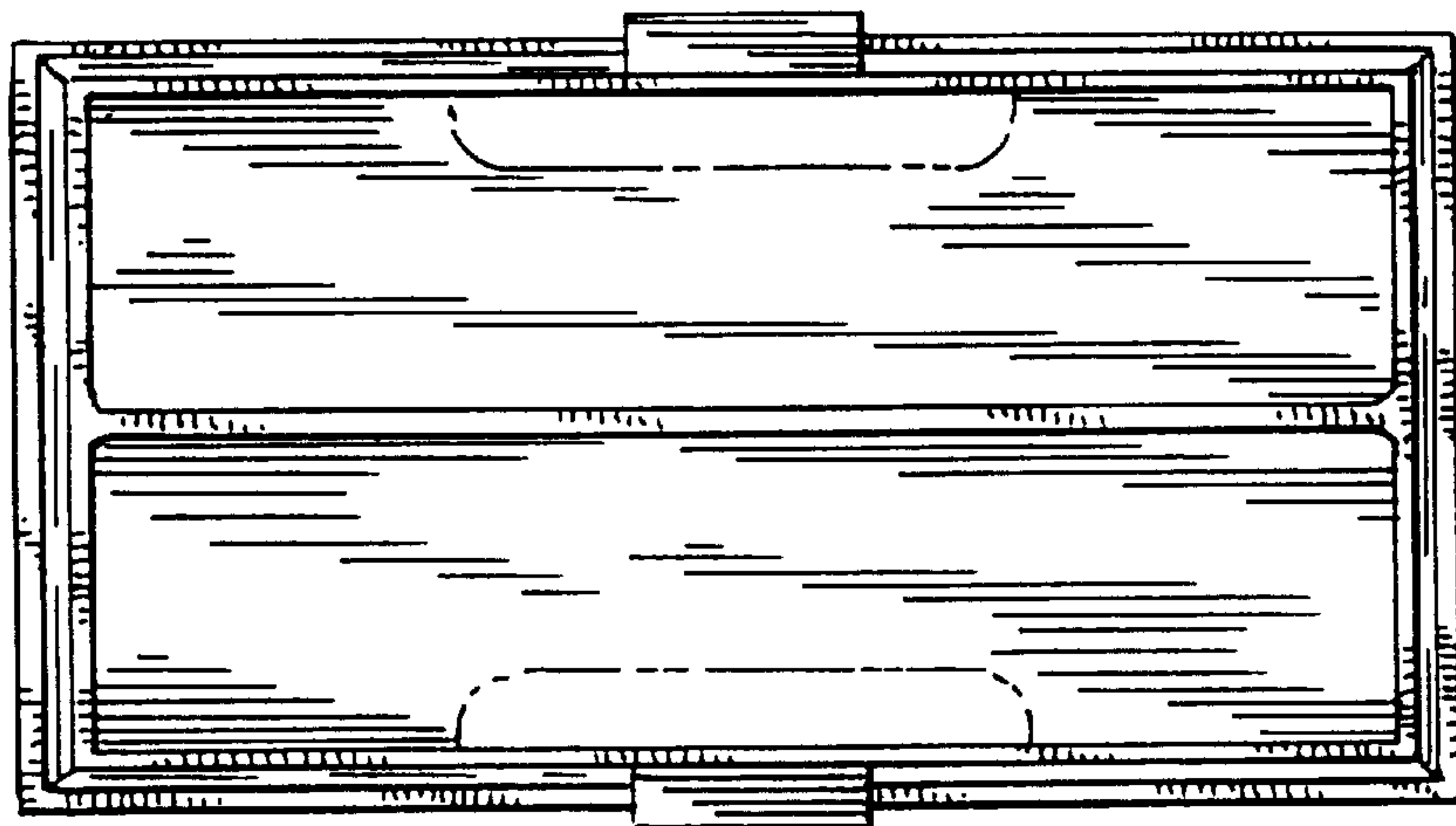


FIG. 9

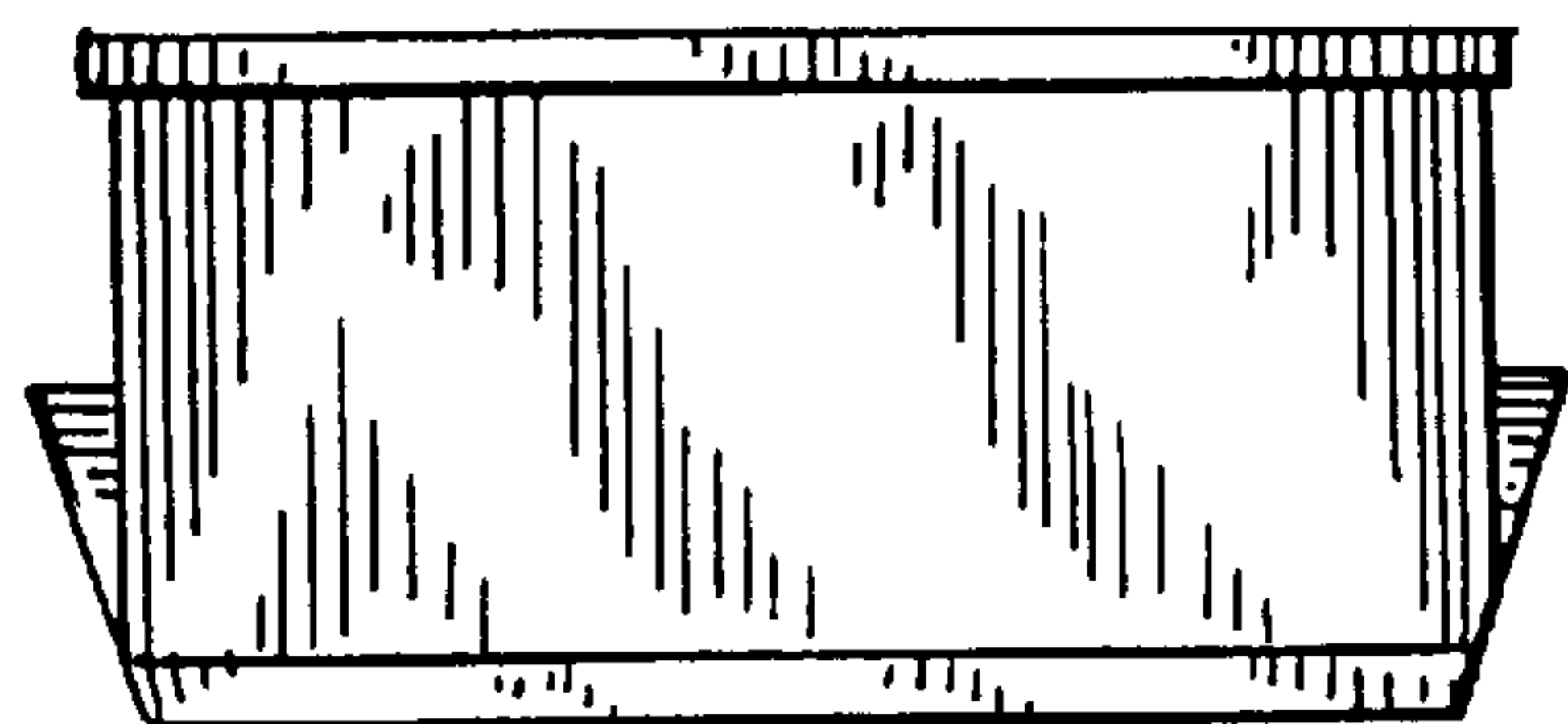


FIG. 10