



US00D424438S

United States Patent [19]

[11] Patent Number: Des. 424,438

Turner et al.

[45] Date of Patent: ** May 9, 2000

[54] CAN END

[75] Inventors: **Timothy L. Turner**, Cary; **Carlton Young**, Westchester, both of Ill.

[73] Assignee: **American National Can Company**, Elk Grove Village, Ill.

[**] Term: **14 Years**

[21] Appl. No.: **29/080,057**

[22] Filed: **Nov. 26, 1997**

D. 387,987	12/1997	Neiner .
3,259,265	7/1966	Stuart .
3,291,336	12/1966	Fraze .
3,424,337	1/1969	Von Stocker .
3,941,277	3/1976	McKinney et al. .
3,967,752	7/1976	Cudzik .
4,015,744	4/1977	Brown .
4,024,981	5/1977	Brown .
4,061,243	12/1977	Khoury .
4,175,670	11/1979	Reynolds et al. .
4,184,607	1/1980	Potts .

(List continued on next page.)

Related U.S. Application Data

[63] Continuation-in-part of application No. 29/063,644, Dec. 12, 1996, abandoned.

[51] **LOC (7) Cl.** **09-07**

[52] **U.S. Cl.** **D9/438**

[58] **Field of Search** D9/416, 438, 578; 215/305; 220/269-273, 793, 906; 222/153.07

References Cited

U.S. PATENT DOCUMENTS

Re. 31,702	10/1984	Brown .
D. 244,915	7/1977	Cudzik .
D. 263,802	4/1982	Fraze .
D. 263,803	4/1982	Fraze .
D. 265,463	7/1982	Hasegawa .
D. 266,991	11/1982	Hasegawa et al. .
D. 267,393	12/1982	Gruodis et al. .
D. 275,373	9/1984	Brown et al. .
D. 279,265	6/1985	Turner et al. .
D. 302,116	7/1989	Cassai et al. .
D. 318,225	7/1991	Cassai et al. .
D. 319,580	9/1991	Cassai et al. .
D. 320,153	9/1991	Cassai et al. .
D. 327,424	6/1992	Pierce .
D. 332,750	1/1993	Moloney et al. .
D. 338,156	8/1993	Cook .
D. 346,745	5/1994	Heynen et al. .
D. 347,172	5/1994	Heynen et al. .
D. 364,807	12/1995	Taylor .
D. 365,988	1/1996	Clarke, III .
D. 371,073	6/1996	Taylor .
D. 385,192	10/1997	Hurst et al. .

FOREIGN PATENT DOCUMENTS

0 564 725 A1	10/1993	European Pat. Off. .
0 704 382 A2	4/1996	European Pat. Off. .
1-308744	of 0000	Japan .
6-24443	of 0000	Japan .

OTHER PUBLICATIONS

InterBev '94 Show, Advertising Literature, "Reynolds Develops Large-Opening Ends" Oct. 24, 1994. "Packaging Priorities", Tim Davis, *Beverage World* Dec. 1994.

Primary Examiner—Doris V. Coles
Assistant Examiner—Cathron B. Matta
Attorney, Agent, or Firm—Wallenstein & Wagner, Ltd.

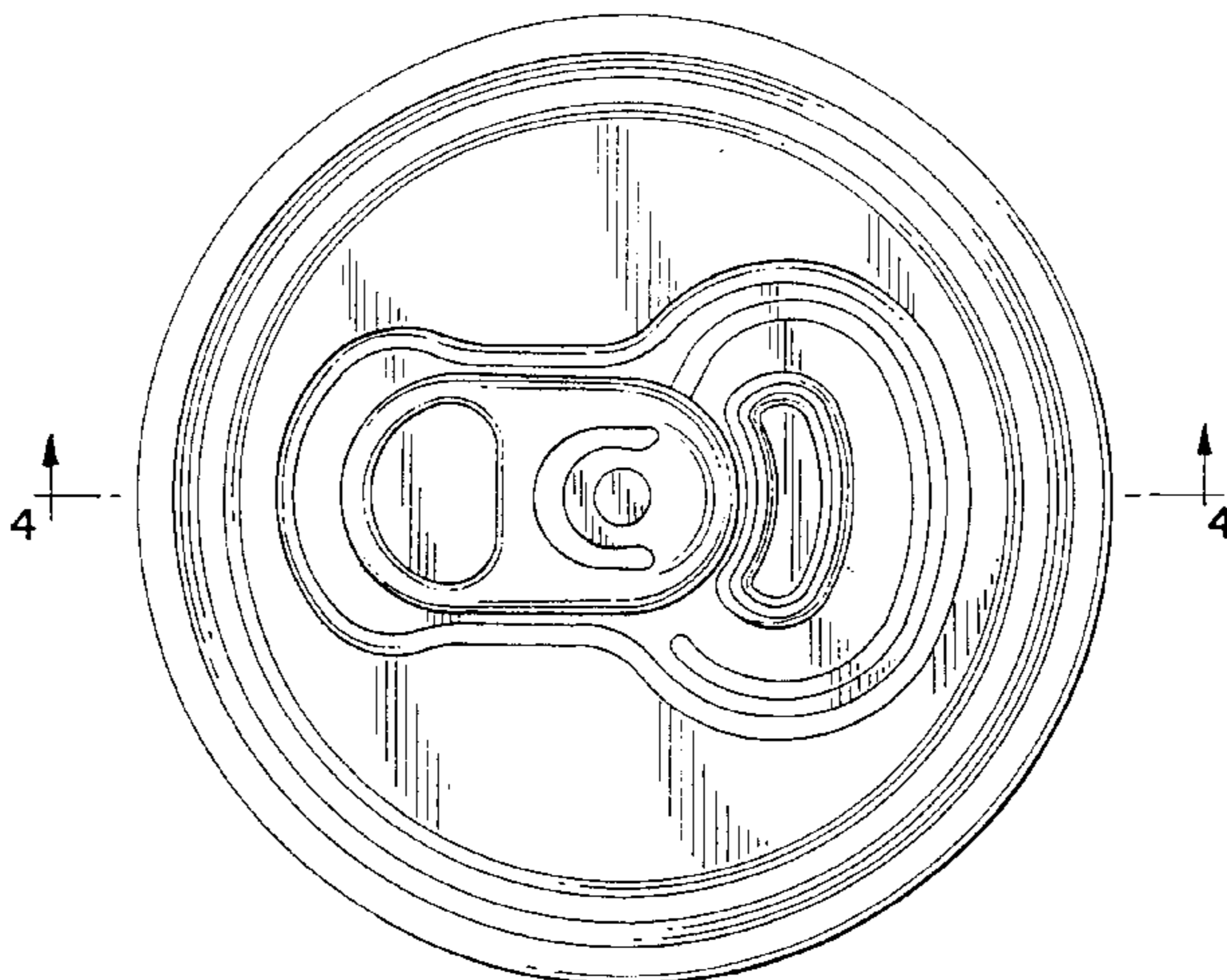
[57] CLAIM

The ornamental design for a "can end", as shown and described.

DESCRIPTION

FIG. 1 is a top plan view of the can end incorporating our new design;
FIG. 2 is a side elevation thereof, the other side being the same as the side shown;
FIG. 3 is a bottom plan view thereof; and,
FIG. 4 is a sectional view taken along line 4—4 in FIG. 1, and shown at an enlarged scale.
The broken lines shown in FIGS. 3 and 4 are for illustrative purposes only and form no part of the claimed design.

1 Claim, 2 Drawing Sheets



U.S. PATENT DOCUMENTS

4,205,760	6/1980	Hasegawa .	4,804,104	2/1989	Moen .
4,210,257	7/1980	Radtke .	4,872,597	10/1989	Hanafusa .
4,211,335	7/1980	Langseder .	4,880,136	11/1989	Englert .
4,266,688	5/1981	Reid .	4,930,654	6/1990	Thibeault et al. .
4,276,993	7/1981	Hasegawa .	4,930,658	6/1990	McEldowney .
4,305,523	12/1981	Dalli et al. .	5,011,037	4/1991	Moen et al. .
4,361,251	11/1982	Langseder et al. .	5,064,087	11/1991	Koch .
4,363,419	12/1982	Walz, Sr. .	5,129,541	7/1992	Voigt et al. .
4,387,827	6/1983	Ruemer, Jr. .	5,199,591	4/1993	Thibeault et al. .
4,465,204	8/1984	Kaminski et al. .	5,307,947	5/1994	Moen et al. .
4,733,793	3/1988	Moen .	5,375,729	12/1994	Schubert .
4,749,100	6/1988	Eberhart .	5,385,254	1/1995	Hannon .
			5,405,039	4/1995	Komura .
			5,456,378	10/1995	DeMars .

FIG. 1

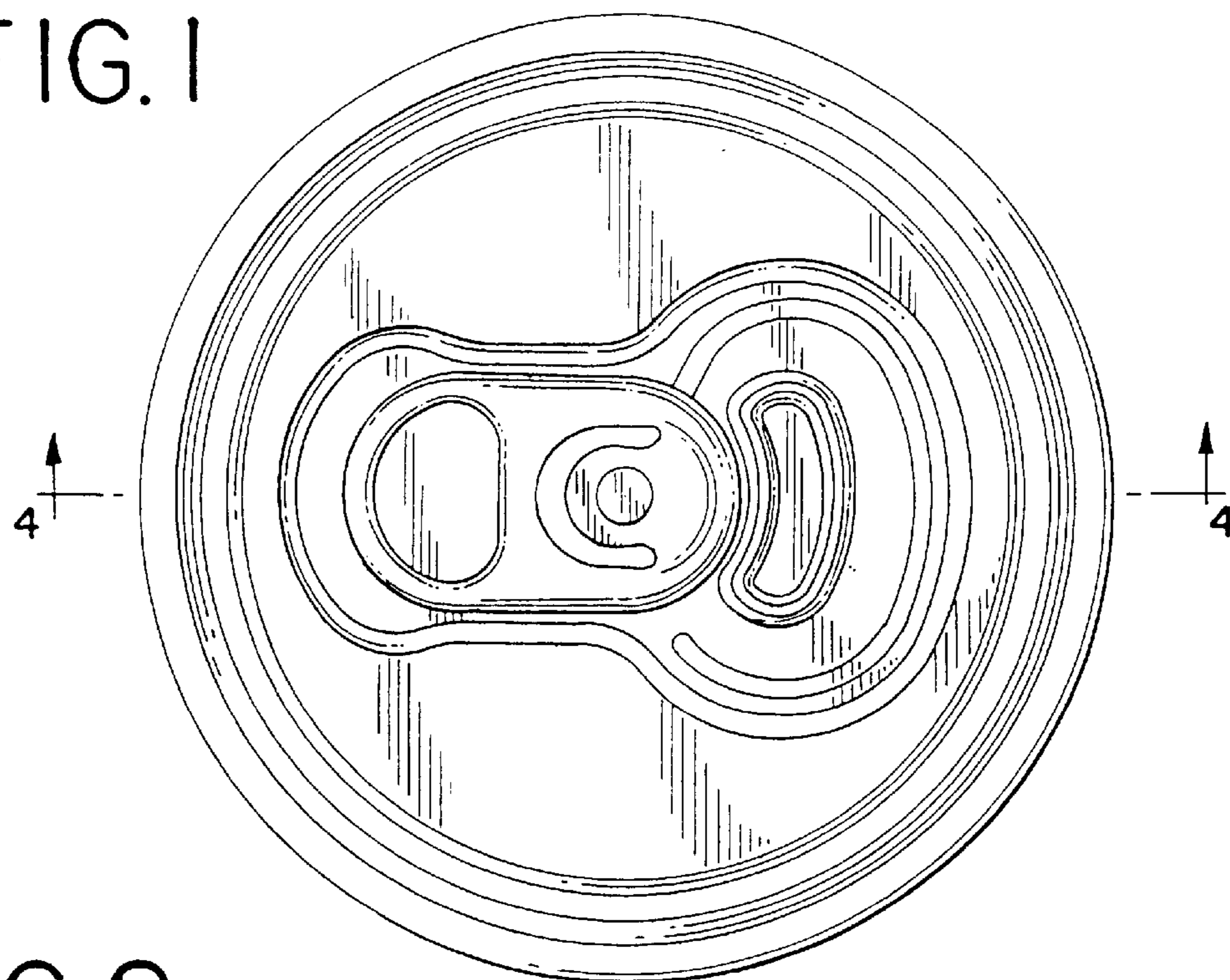


FIG. 2

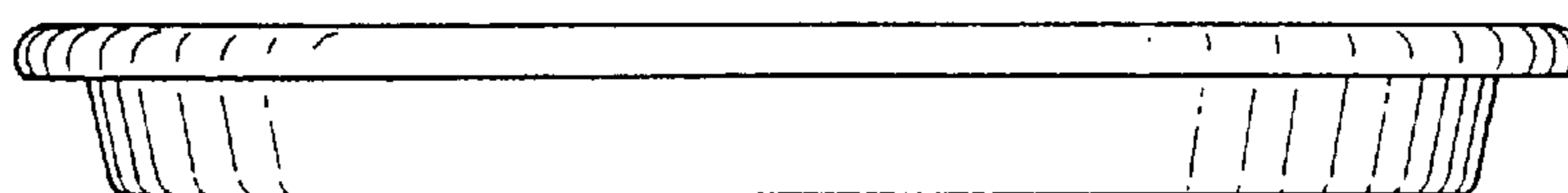


FIG. 3

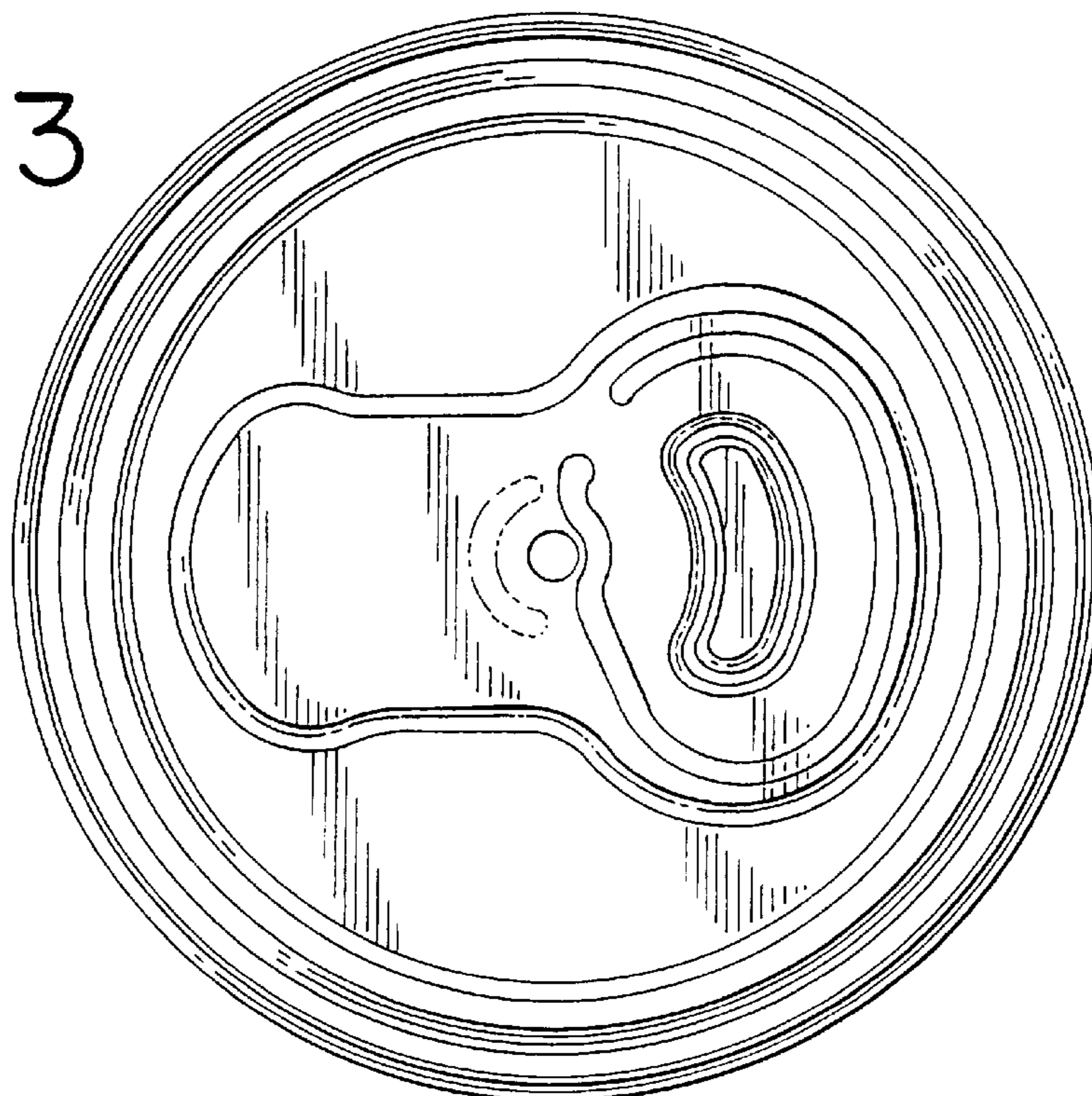


FIG. 4

