



US00D424437S

# United States Patent [19] Smith

[11] Patent Number: Des. 424,437

[45] Date of Patent: \*\* May 9, 2000

[54] COMBINED LID AND FUNNEL

[76] Inventor: Charles Smith, 240 Hoffmansville Rd.,  
Bechtelsville, Pa. 19505

[\*\*] Term: 14 Years

[21] Appl. No.: 29/093,917

[22] Filed: Sep. 22, 1998

[51] LOC (7) Cl. .... 09-07

[52] U.S. Cl. .... D9/436; D9/453; D7/700

[58] Field of Search ..... D9/436, 447, 449;  
D7/700; 141/331, 332, 340; 215/228; 222/460,  
461, 462; 298/94

### [56] References Cited

#### U.S. PATENT DOCUMENTS

D. 146,713	4/1947	Genske .....	D9/505 X
D. 205,236	7/1966	Fitzwilliam .....	D7/700
D. 363,221	10/1995	Puryear .....	D9/436
D. 369,850	5/1996	Cammack et al. ....	D7/700 X
2,811,181	10/1957	Correll .....	141/340
5,074,343	12/1991	Tyree, Jr. ....	141/331 X
5,195,567	3/1993	Tyree, Jr. ....	141/331
5,228,488	7/1993	Fletcher .....	222/460 X
5,472,025	12/1995	Conrad et al. ....	141/332
5,685,351	11/1997	Kazarian et al. ....	215/228 X

Primary Examiner—Cathron B. Matta  
Attorney, Agent, or Firm—Eckert Seamans Cherin &  
Mellott, LLC

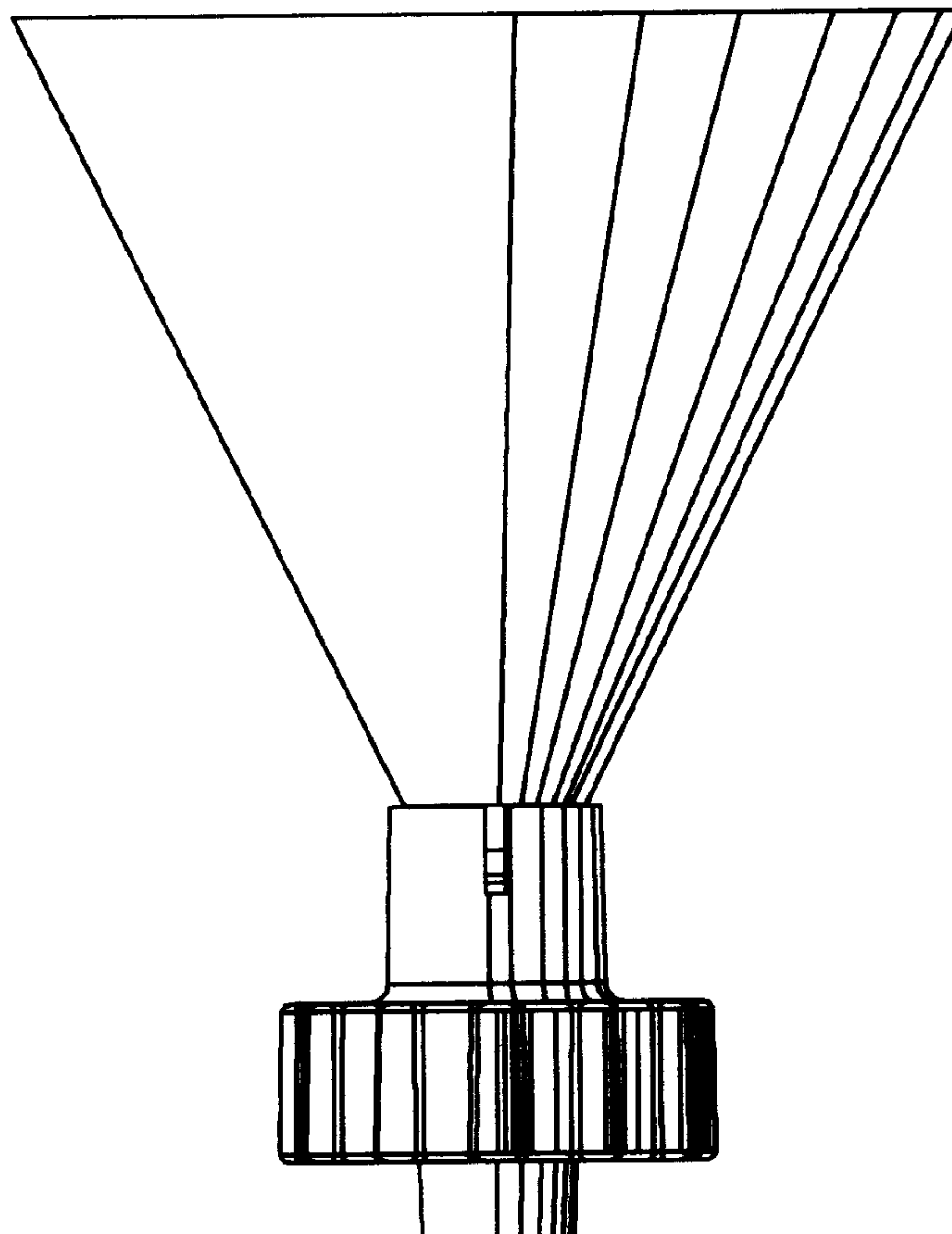
### [57] CLAIM

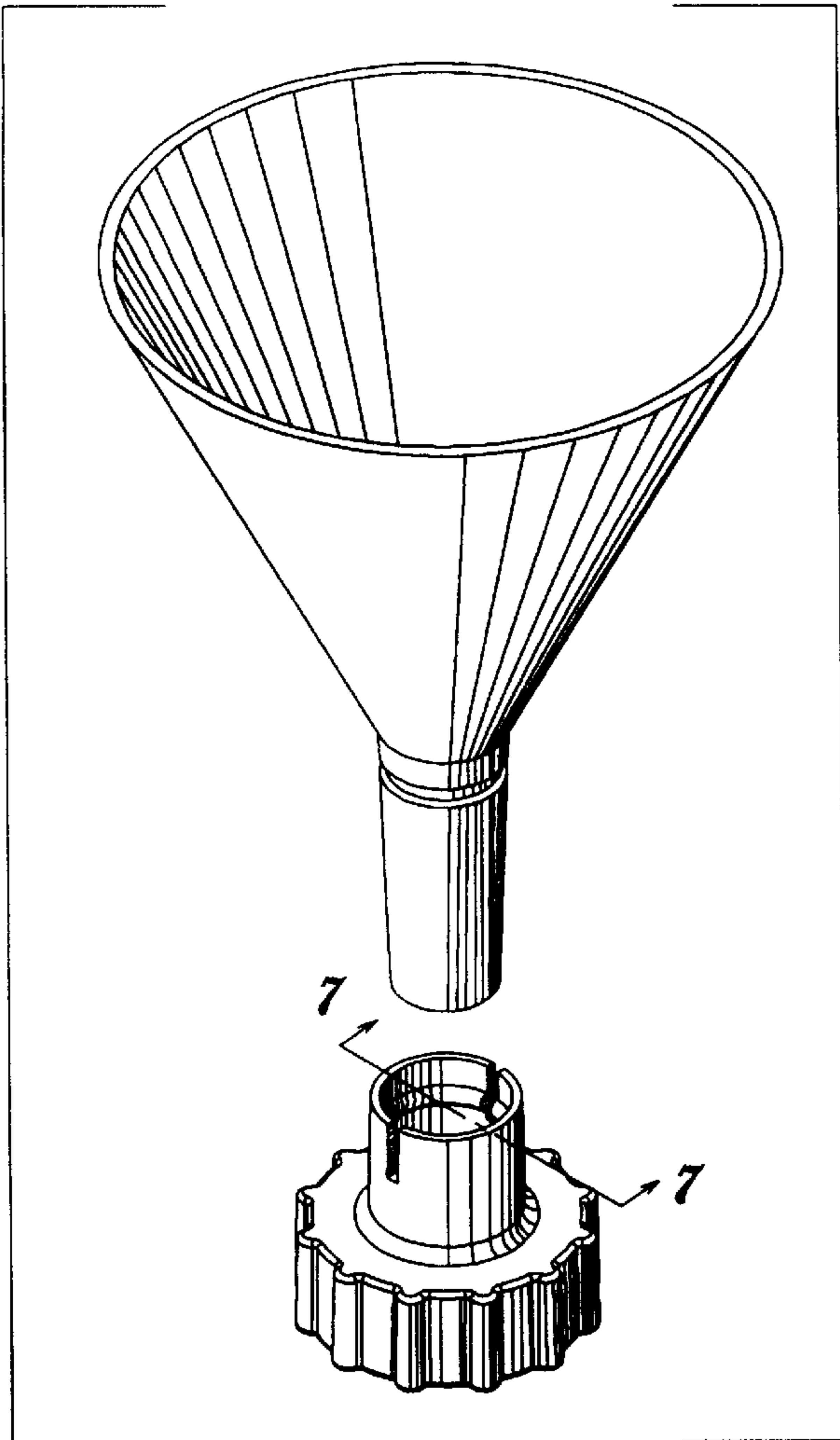
The ornamental design for a combined lid and funnel, as shown and described.

### DESCRIPTION

FIG. 1 is an exploded perspective view of a combined lid and funnel according to the inventive design;  
FIG. 2 is an assembled perspective view of a combined lid and funnel according to the inventive design;  
FIG. 3 is a top plan view of FIG. 2 shown at an enlarged scale;  
FIG. 4 is a right side elevational view, the left side being a mirror image of FIG. 2 shown at an enlarged scale;  
FIG. 5 is a front side elevational view, the back side being a mirror image of FIG. 2;  
FIG. 6 is a bottom plan view of FIG. 2 shown at an enlarged scale; and,  
FIG. 7 is a cross-sectional view of a lid taken along line 7—7 of FIG. 1, shown at an enlarged scale, and shown without the funnel for clarity of illustration, according to the inventive design.

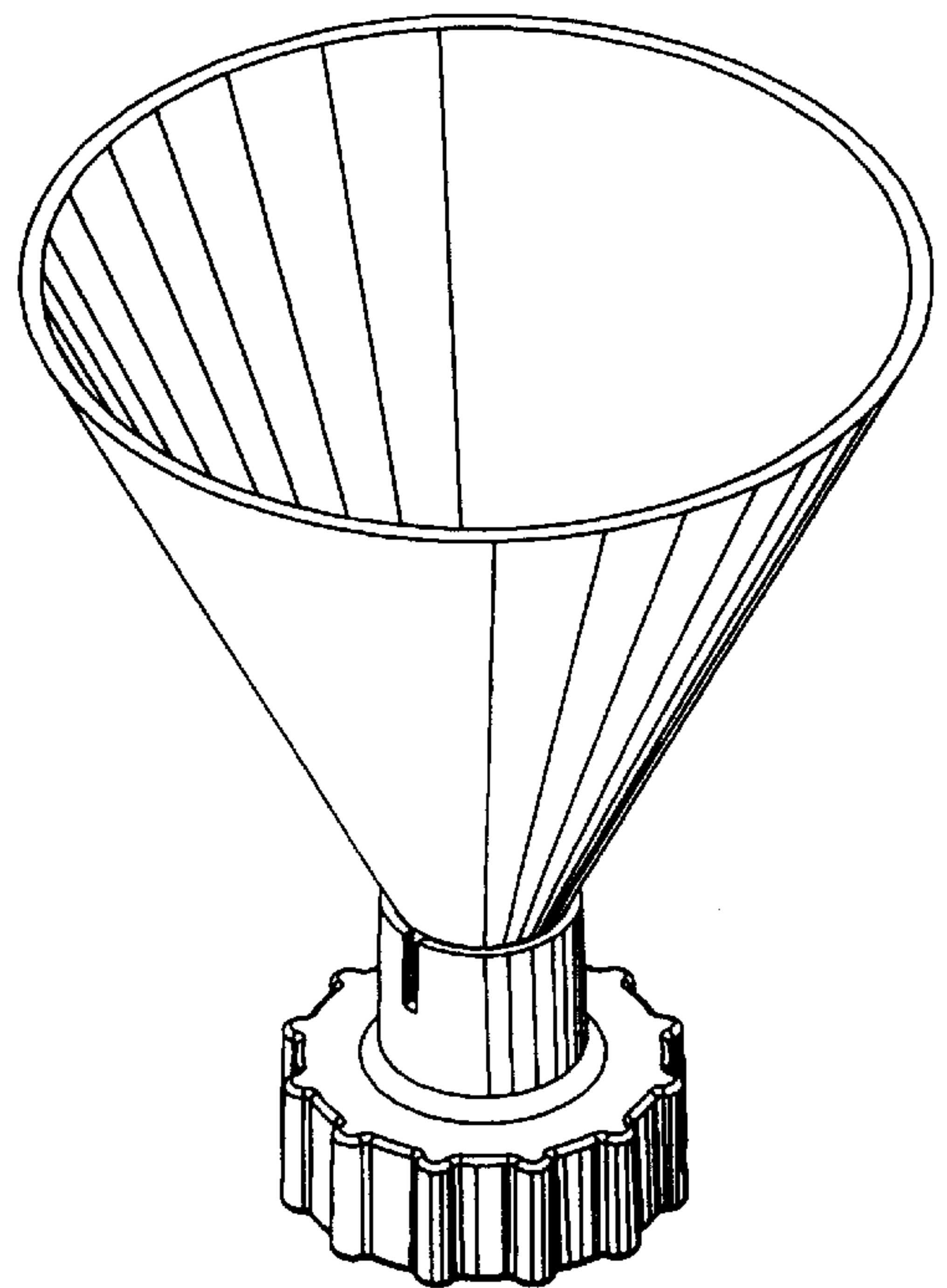
1 Claim, 3 Drawing Sheets

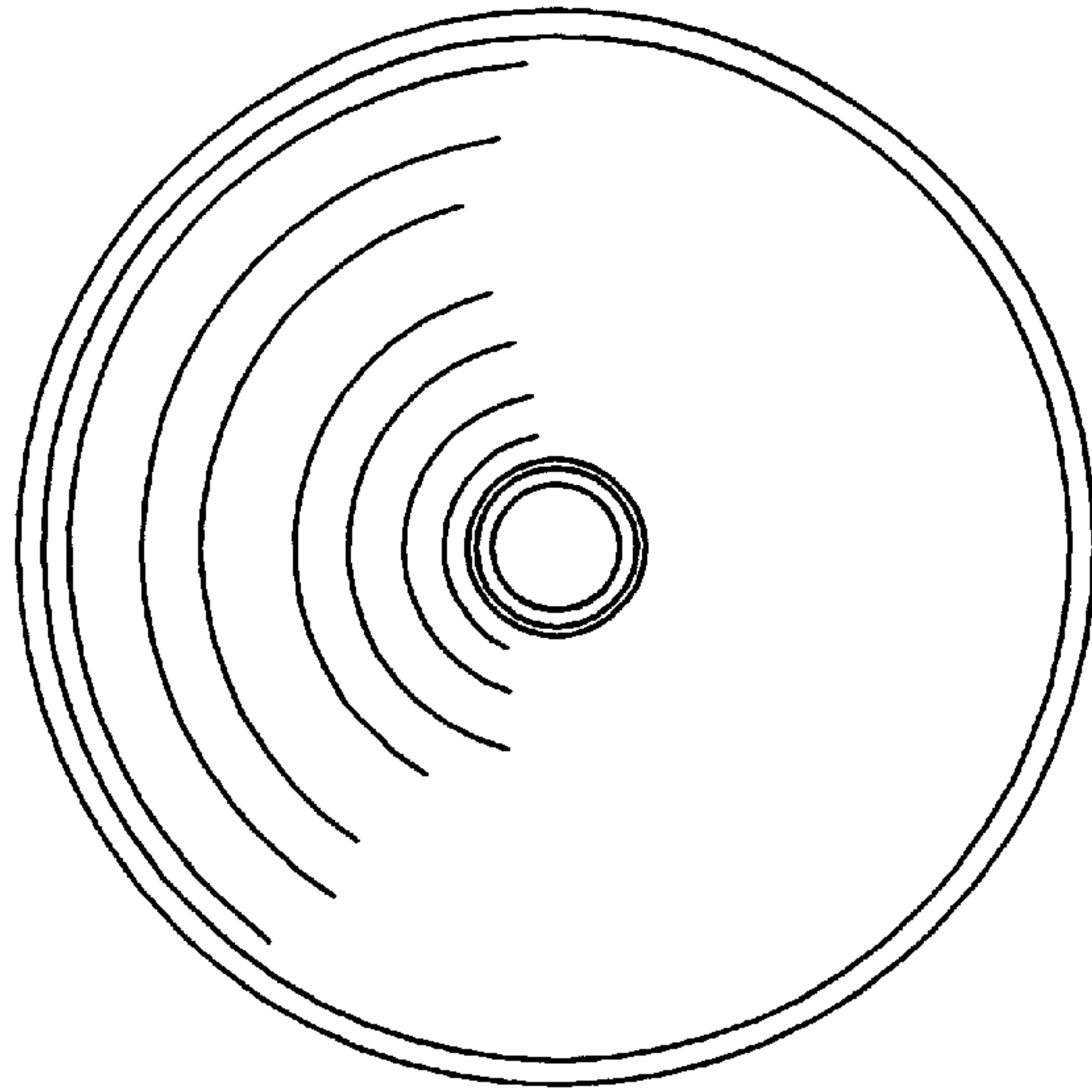




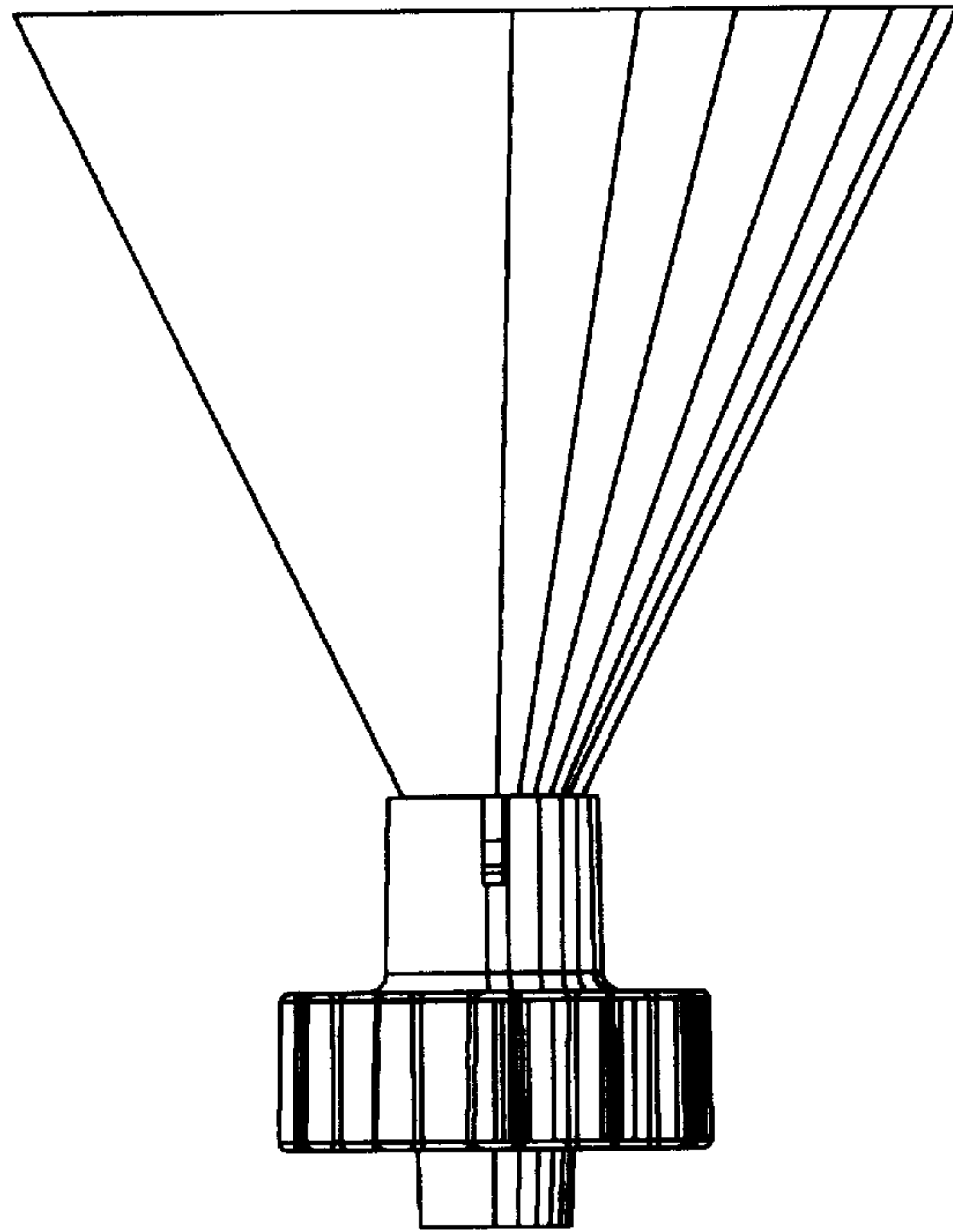
*Fig. 1.*

*Fig. 2.*



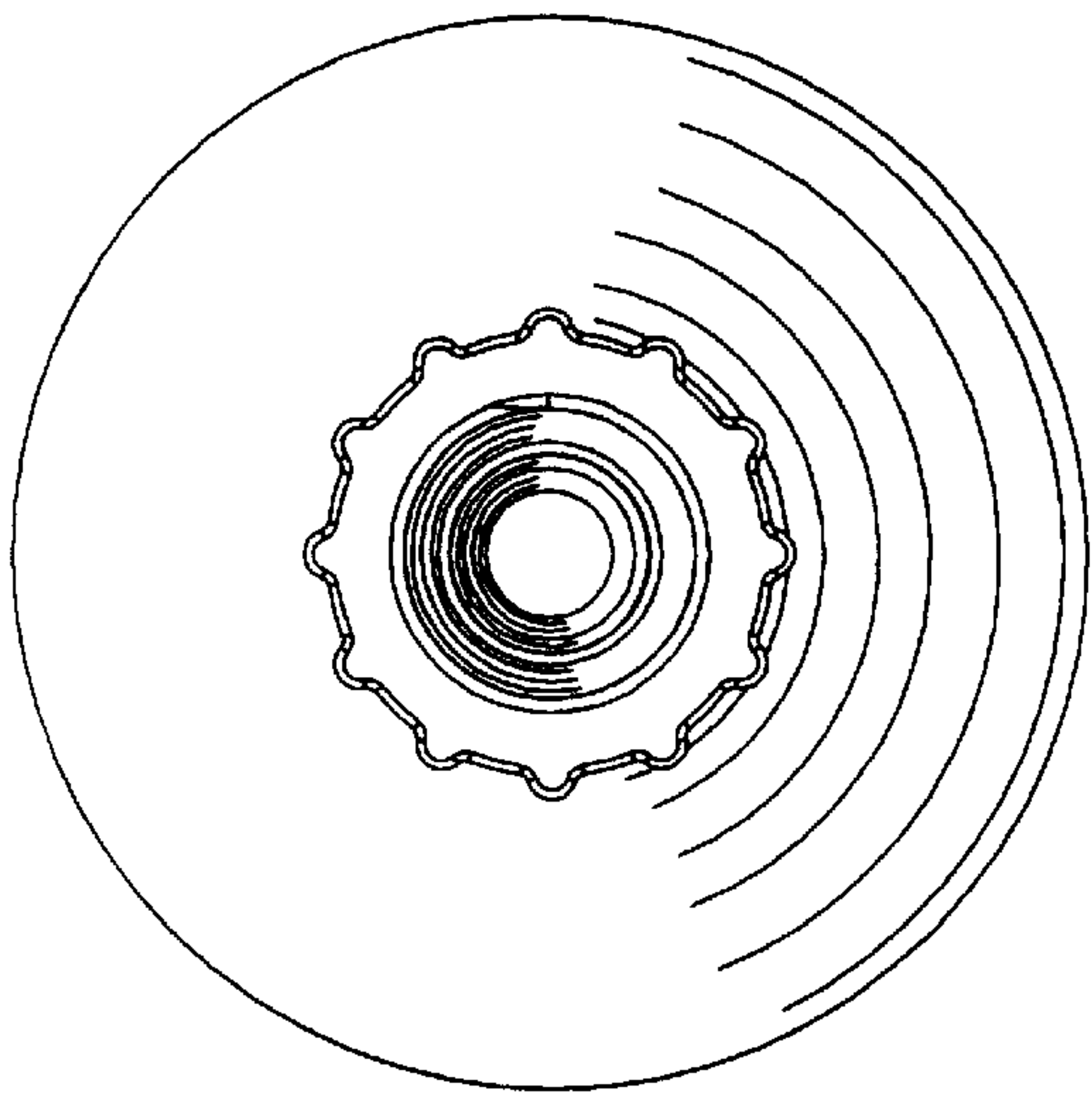
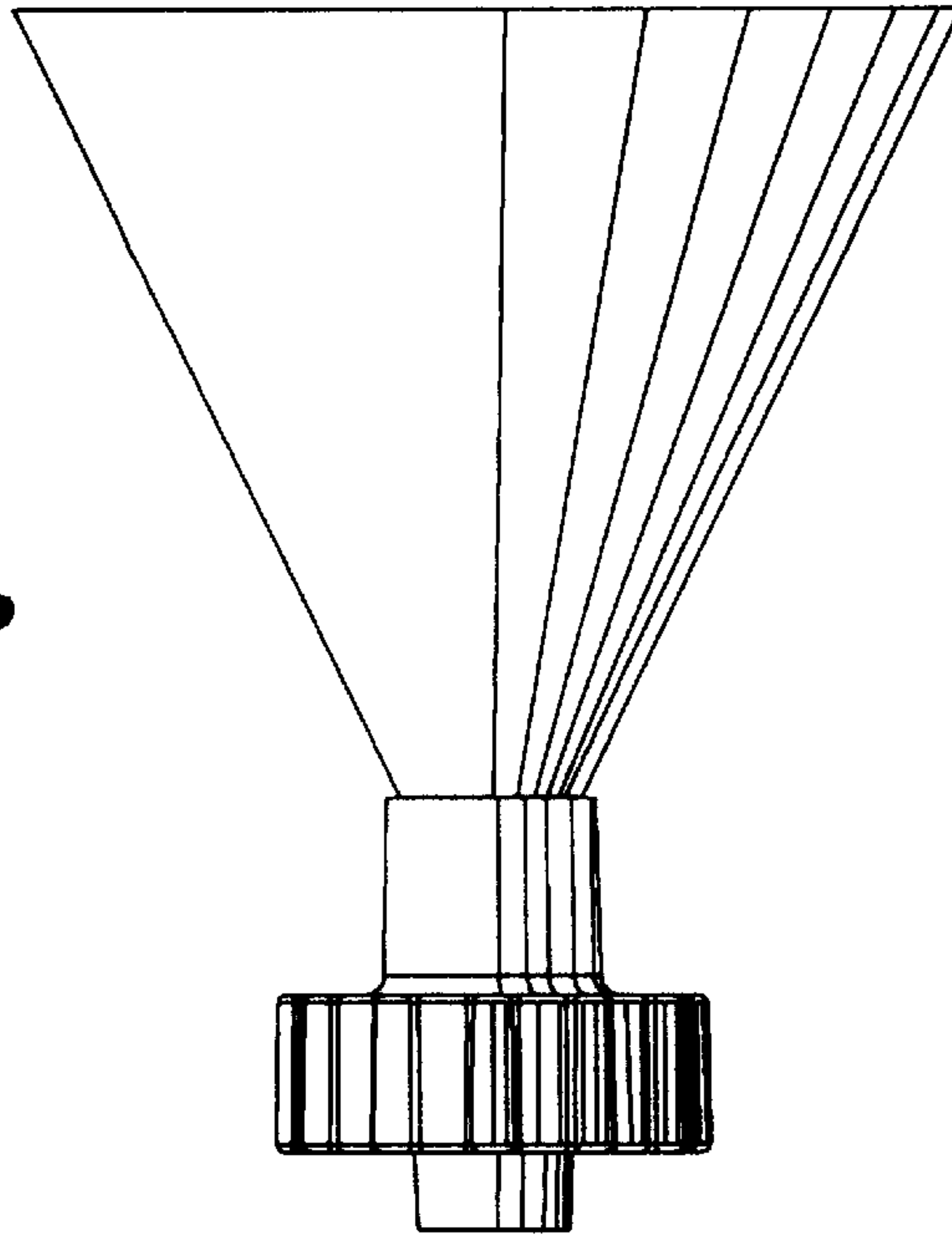


*Fig. 3.*



*Fig. 4.*

*Fig. 5.*



*Fig. 6.*

*Fig. 7.*

