



US00D424436S

United States Patent [19]

[11] Patent Number: Des. 424,436

Brecheisen et al.

[45] Date of Patent: ** May 9, 2000

[54] FINISH FOR A CONTAINER

[75] Inventors: **William W. Brecheisen**, Findlay;
Eugene F. Haffner, Waterville; **James E. Hiltner**, Sylvania; **Wing-Kwong Keung**, Perrysburg; **Anthony J. Scott**, Maumee; **George R. Trepina**, Holland, all of Ohio

3,809,276 5/1974 Landen .
 5,320,233 6/1994 Welch 215/252
 5,449,078 9/1995 Akers .
 5,687,863 11/1997 Kusz 215/216
 5,725,132 3/1998 Foster et al. .
 5,806,724 9/1998 Foster .
 5,810,209 9/1998 Foster .
 5,845,820 12/1998 Foster .
 5,938,082 8/1999 Foster et al. 222/383.1 X

[73] Assignee: **Owens-Illinois Closure Inc.**, Toledo, Ohio

Primary Examiner—Cathron B. Matta

[**] Term: 14 Years

[57] CLAIM

[21] Appl. No.: 29/104,539

The ornamental design for a finish for a container, as shown and described.

[22] Filed: May 4, 1999

DESCRIPTION

[51] LOC (7) Cl. 09-07
 [52] U.S. Cl. D9/434
 [58] Field of Search D9/434, 520, 559;
 215/40, 43, 44, 45, 46, 219, 222, 252, 318,
 331; 222/383.1

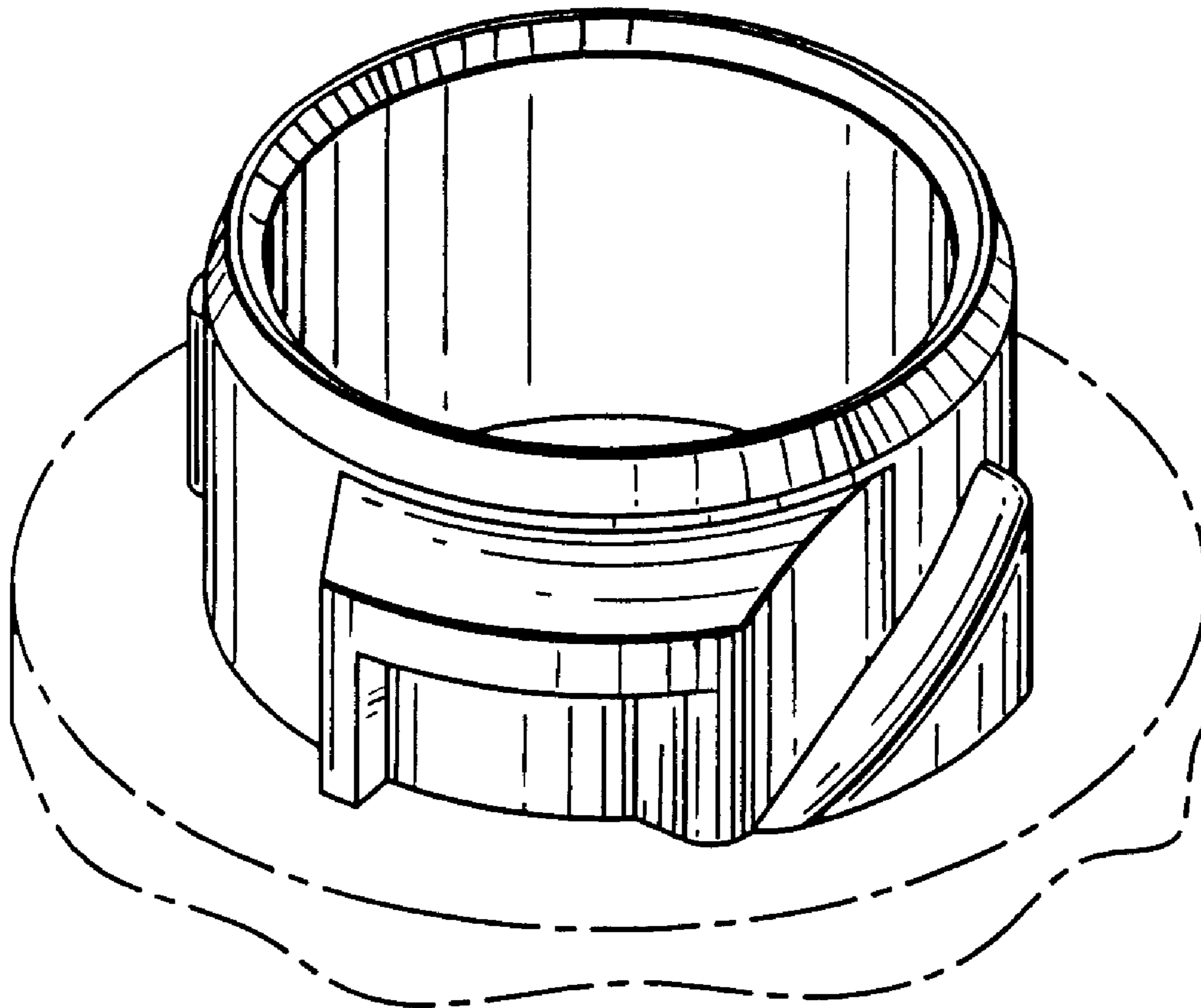
FIG. 1 is a perspective view of the finish for a container showing our new design;
 FIG. 2 is a top plan view rotated slightly to the right from FIG. 1;
 FIG. 3 is a front elevation; and,
 FIG. 4 is a right side elevation.
 The rear view is a mirror image of the front elevation of FIG. 3.
 The left side view is a mirror image of the right side elevation of FIG. 4.

[56] References Cited

U.S. PATENT DOCUMENTS

Re. 27,156 7/1971 Hedgewick .
 D. 389,064 1/1998 Sethi et al. D9/521
 3,165,220 1/1965 Haynes .

1 Claim, 1 Drawing Sheet



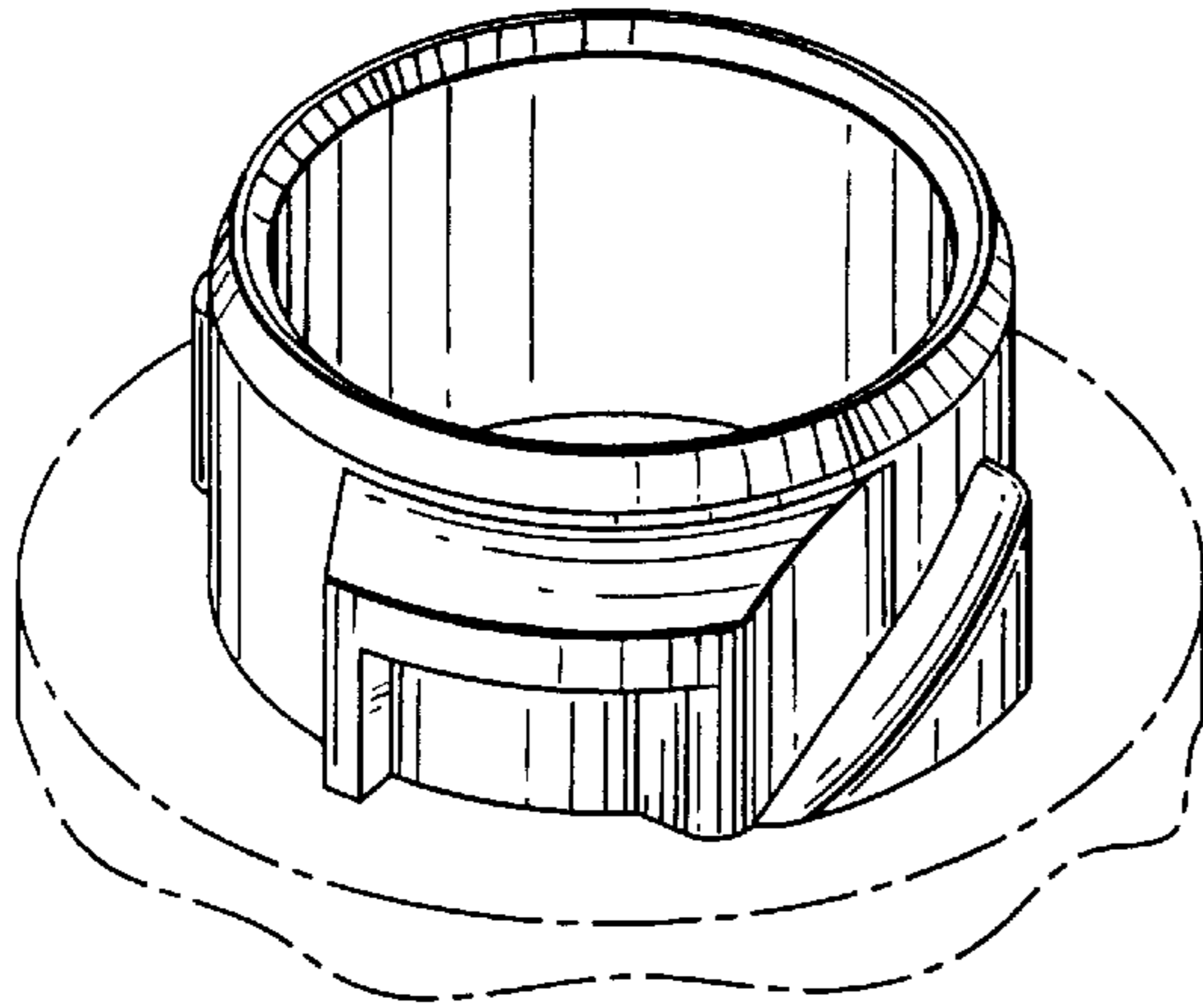


FIG. 1

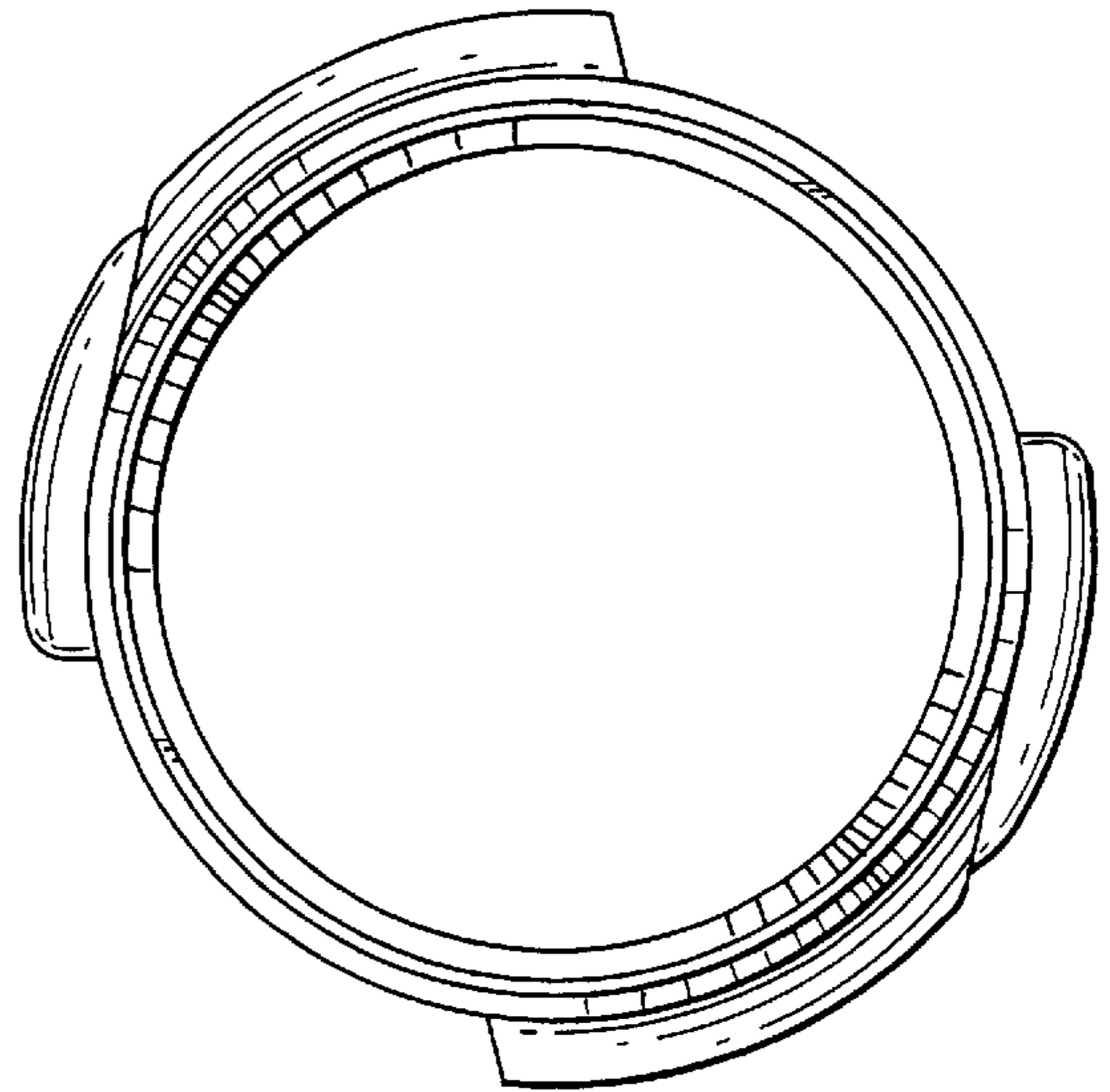


FIG. 2

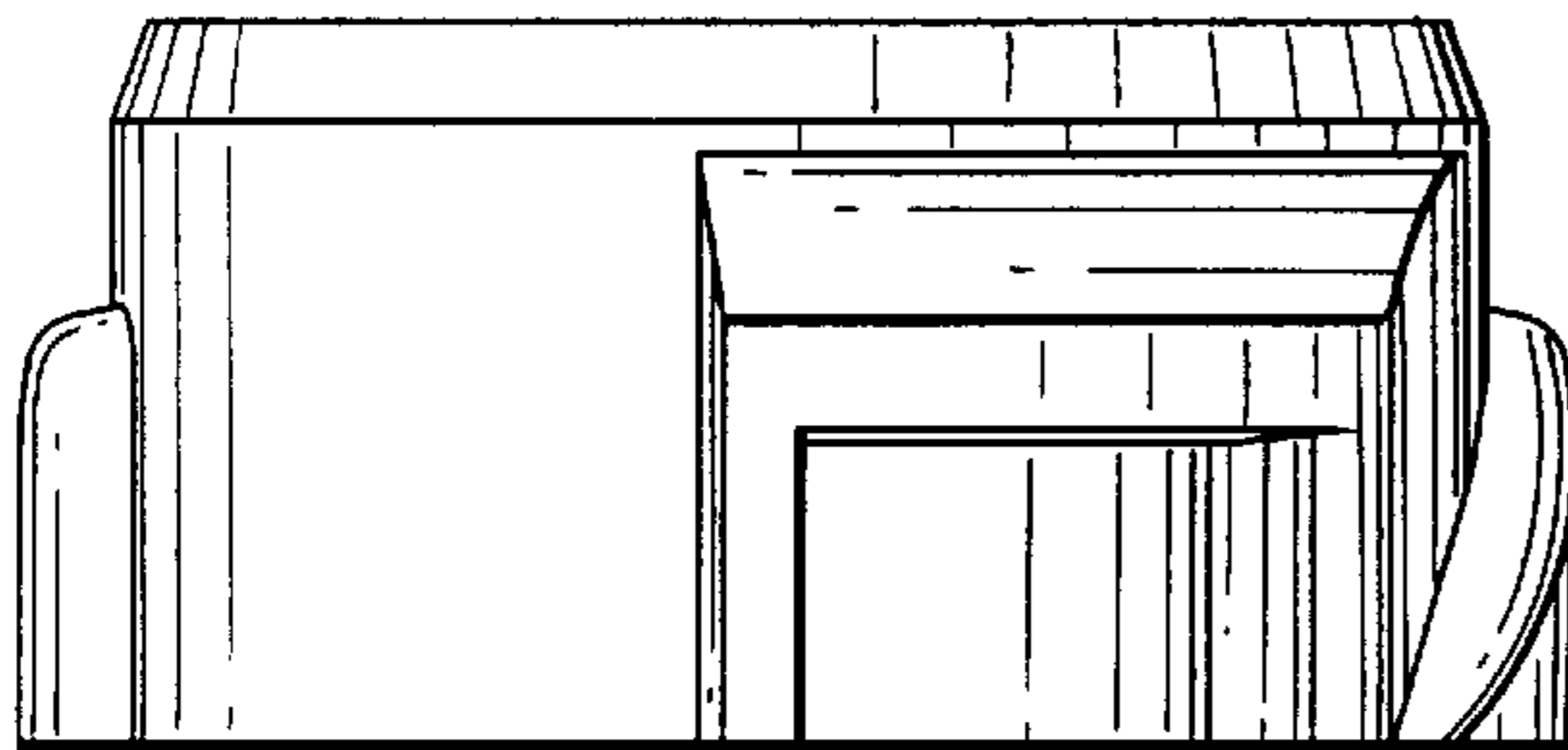


FIG. 3

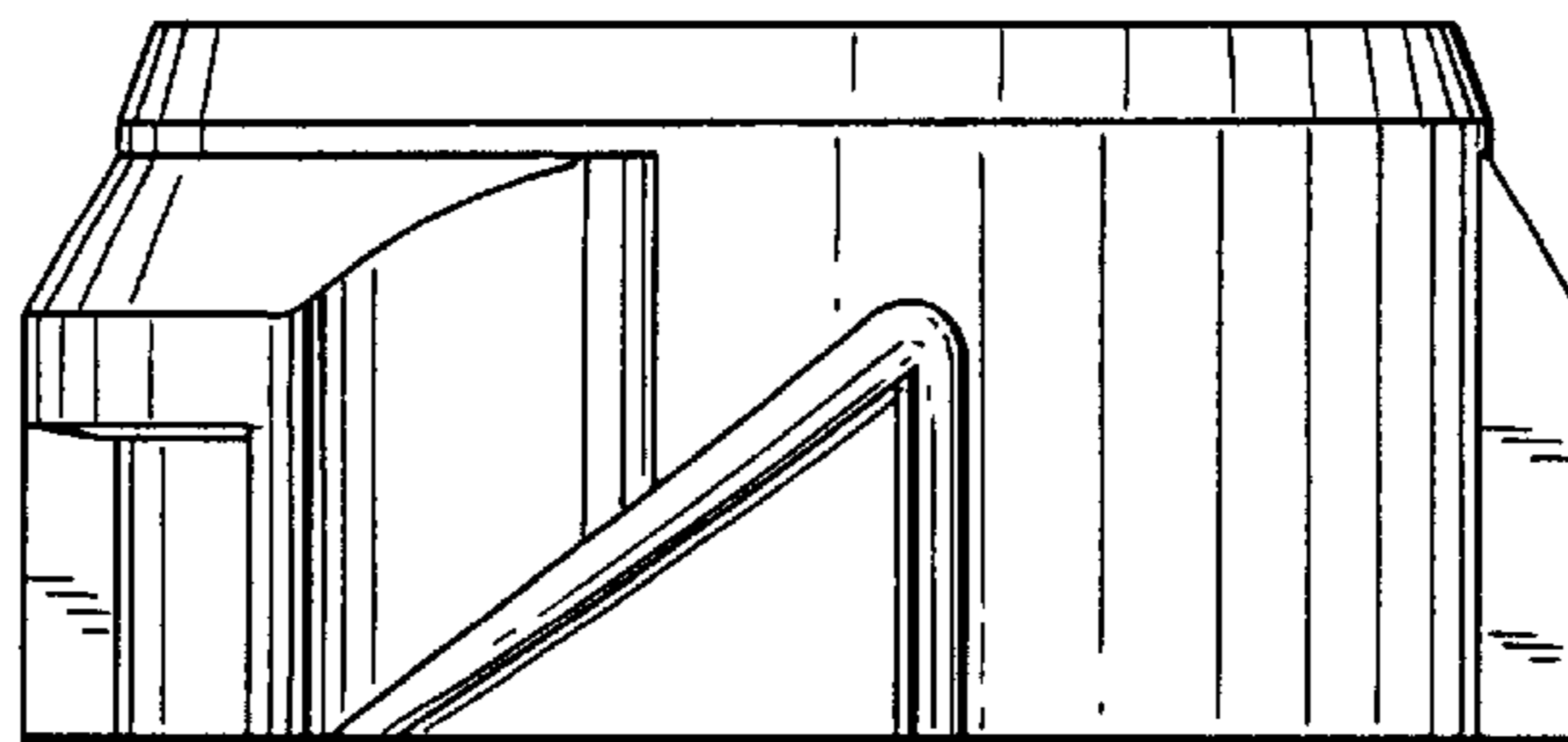


FIG. 4