



US00D424428S

# United States Patent [19] Hart

[11] **Patent Number: Des. 424,428**

[45] **Date of Patent: \*\* May 9, 2000**

[54] **BUNGEE CORD DISPLAY PACKAGE**

[75] Inventor: **Donald B. Hart**, Dana Point, Calif.

[73] Assignee: **Alltrade Inc.**, Long Beach, Calif.

[\*\*] Term: **14 Years**

[21] Appl. No.: **29/094,701**

[22] Filed: **Oct. 8, 1998**

[51] **LOC (7) Cl.** ..... **09-07**

[52] **U.S. Cl.** ..... **D9/415; D9/418; D9/425**

[58] **Field of Search** ..... D9/415, 418, 341,  
D9/346, 337, 423, 425; 206/461-471, 495,  
806, 769-773, 702, 701, 775, 778

[56] **References Cited**

### U.S. PATENT DOCUMENTS

D. 276,312	11/1984	Loof et al.	.....	D9/415
D. 292,776	11/1987	Cugley	.....	D9/415
D. 331,361	12/1992	Langolf	.....	D9/415
D. 348,392	7/1994	Tannen	.....	D9/415
D. 373,308	9/1996	Chapman et al.	.....	D9/415
D. 386,405	11/1997	Bernsteein et al.	.....	D9/415
4,199,058	4/1980	Lense et al.	.....	206/467 X

4,307,803	12/1981	Johnson	.....	206/461
4,326,546	4/1982	Acker	.....	206/461 X
5,497,880	3/1996	Dieffenbach	.....	206/702 X
5,887,720	3/1999	Lin	.....	206/702

### OTHER PUBLICATIONS

Modern Packaging Catalog, p. 300, Jan. 1941.  
Techform Inc. (From 206/461 Shoe), Nov. 1982.

*Primary Examiner*—Prabhakar Deshmukh  
*Attorney, Agent, or Firm*—Robert R. Thornton

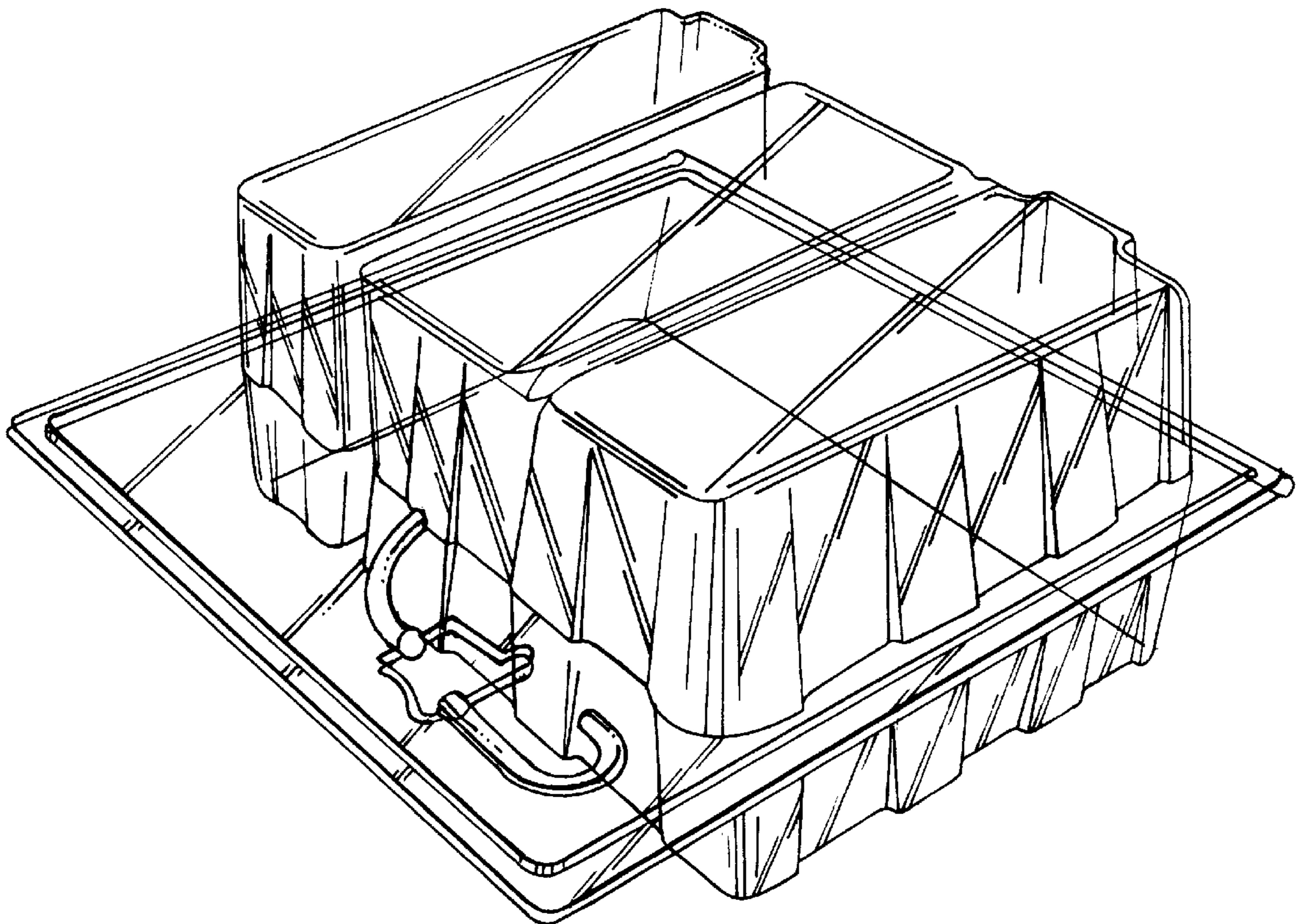
[57] **CLAIM**

The ornamental design for a bungee cord display package, as shown.

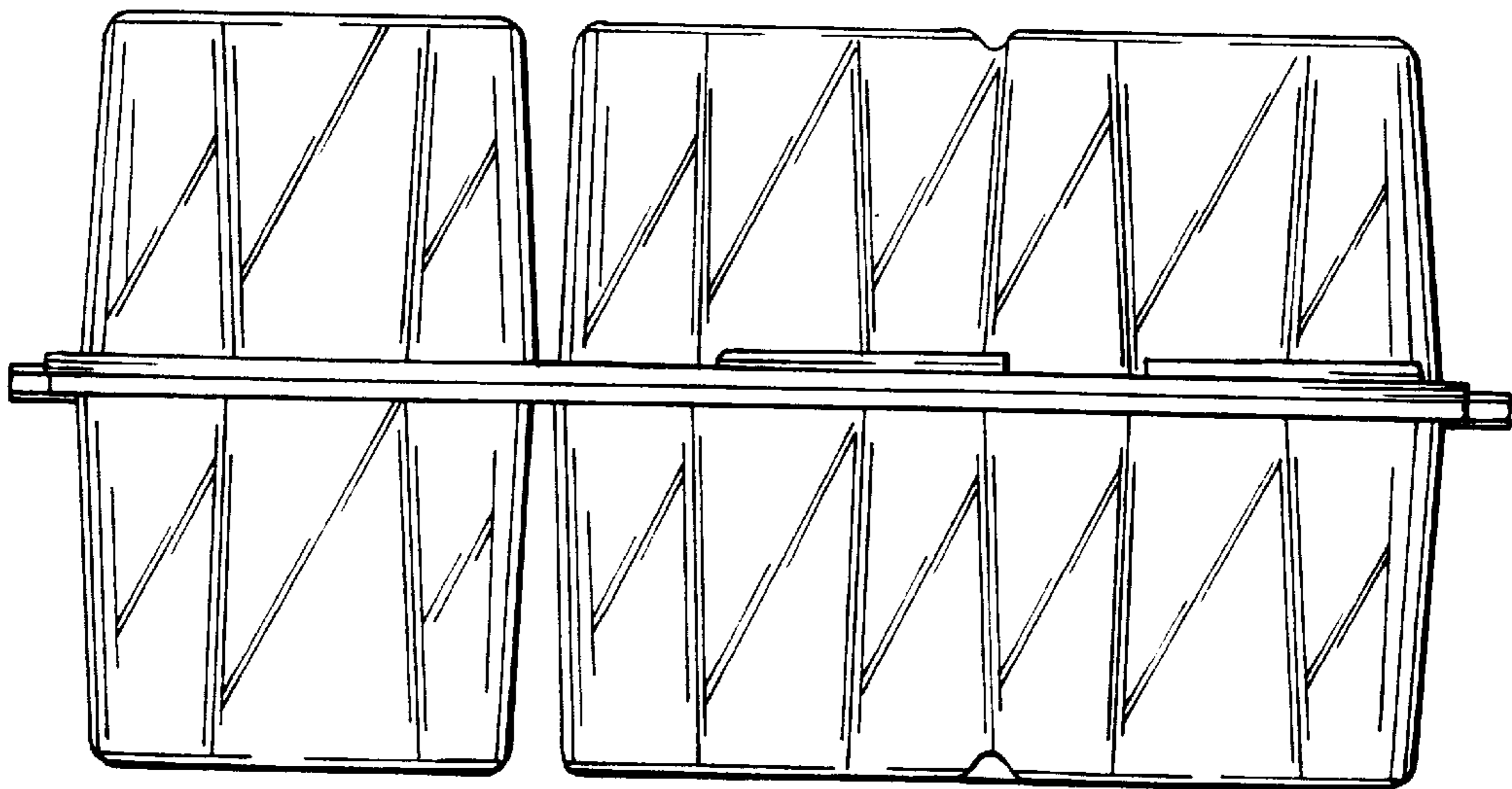
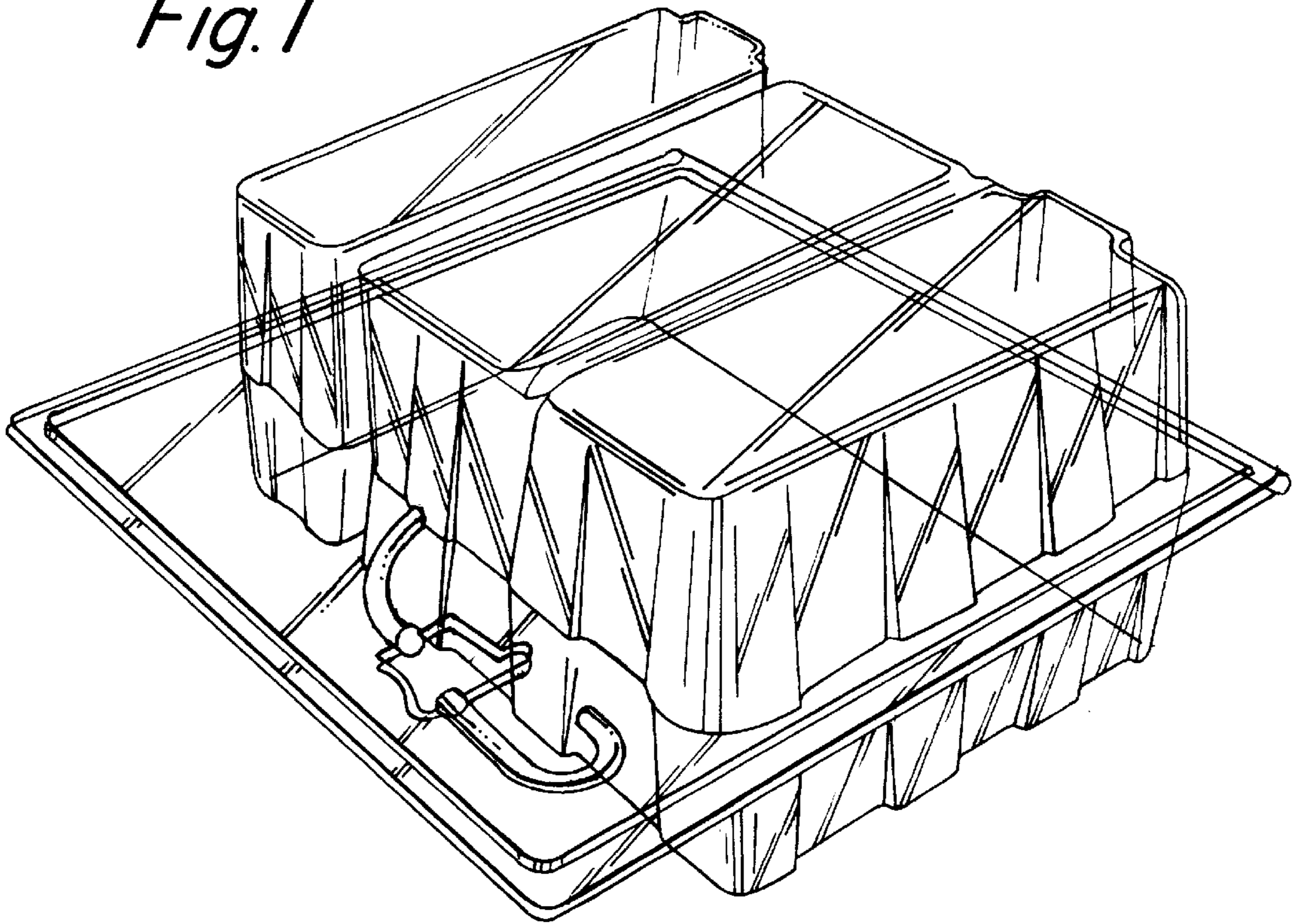
### DESCRIPTION

FIG. 1 is a perspective view of a bungee cord display package showing my new design; FIG. 2 is a front elevational view thereof; FIG. 3 is a top plan view thereof; FIG. 4 is a rear elevational view thereof; FIG. 5 is a right side elevational view thereof; FIG. 6 is a left side elevational view thereof; and, FIG. 7 is a bottom plan view thereof.

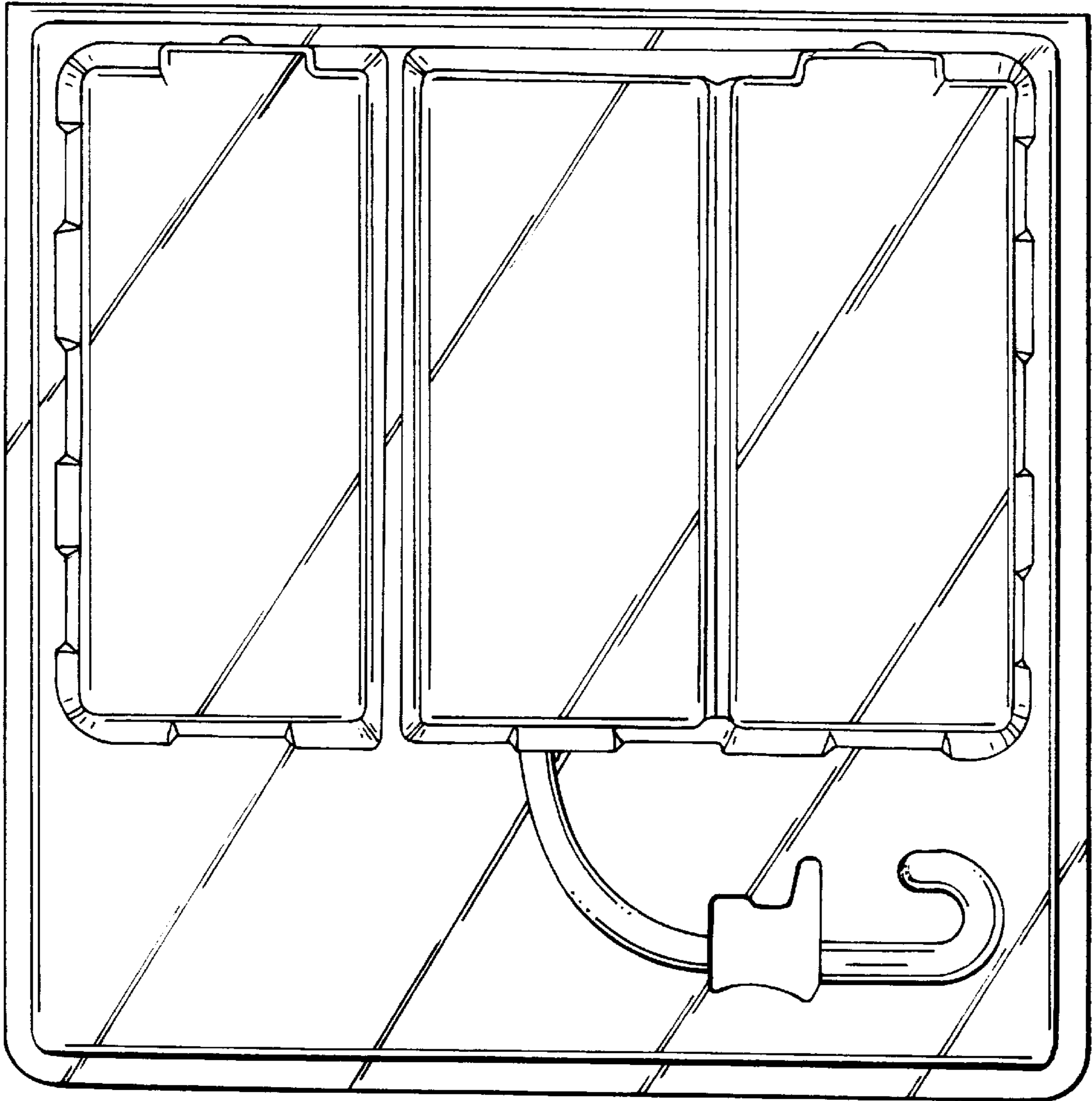
**1 Claim, 4 Drawing Sheets**



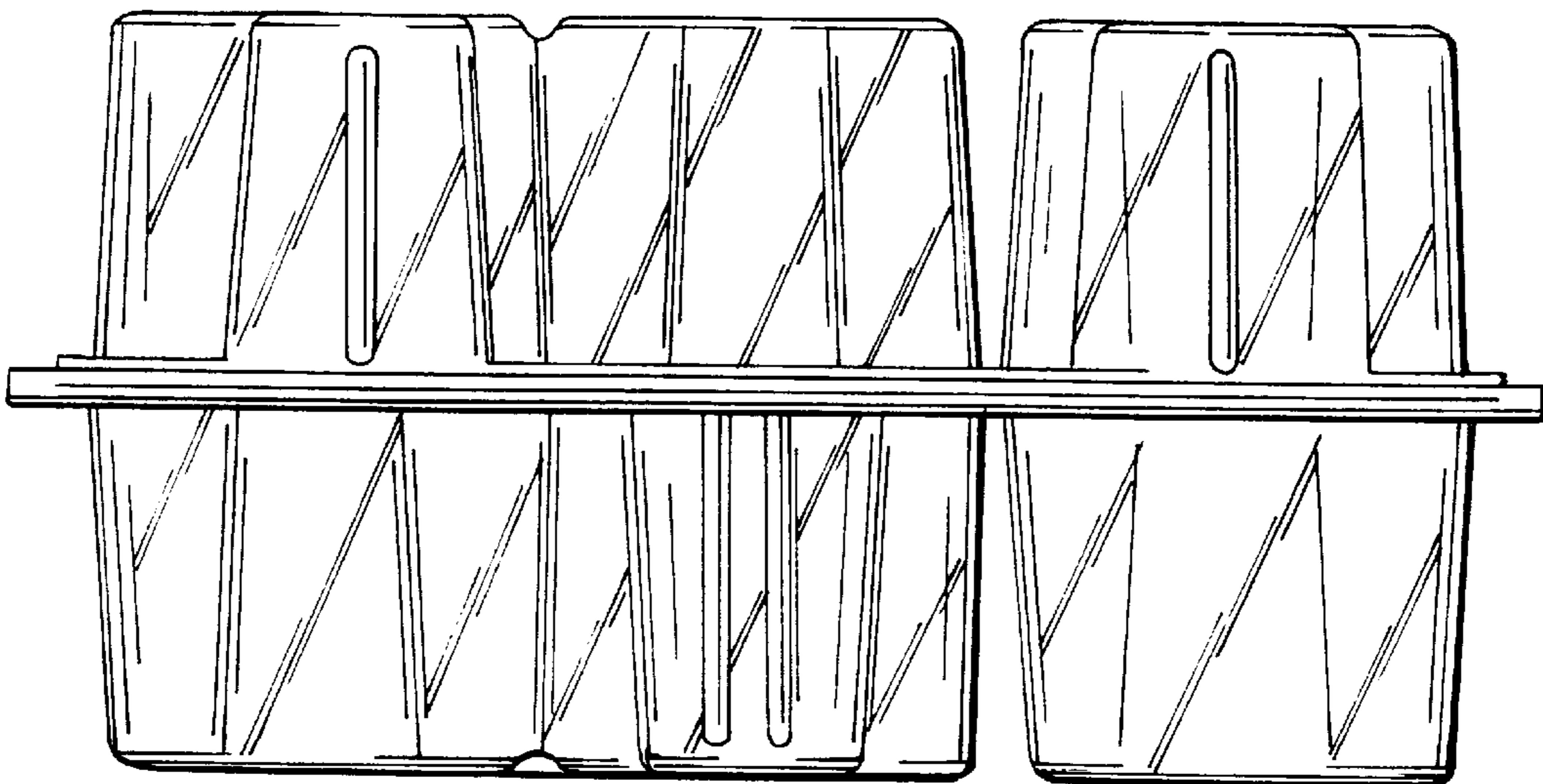
*Fig. 1*



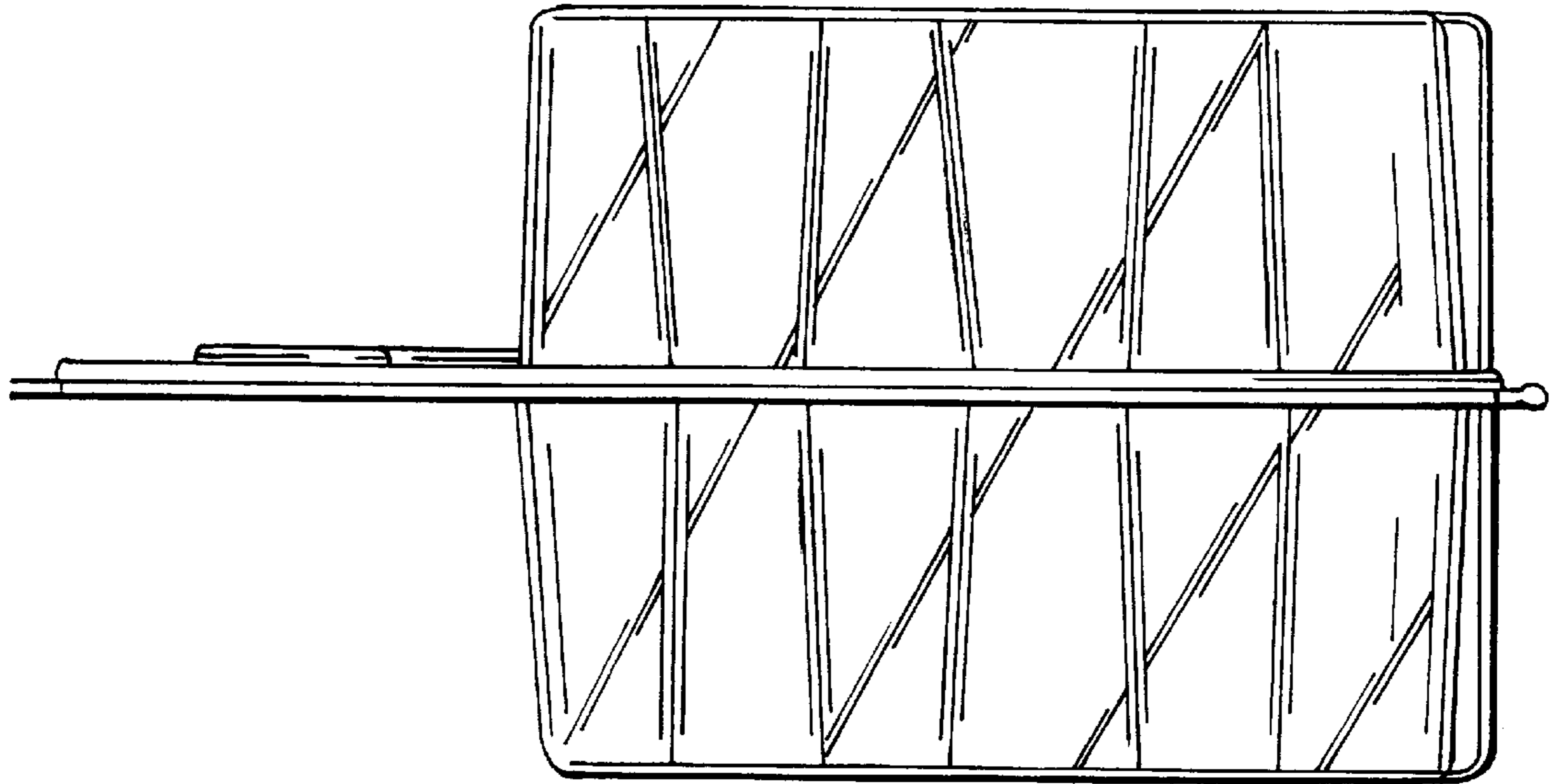
*Fig. 2*



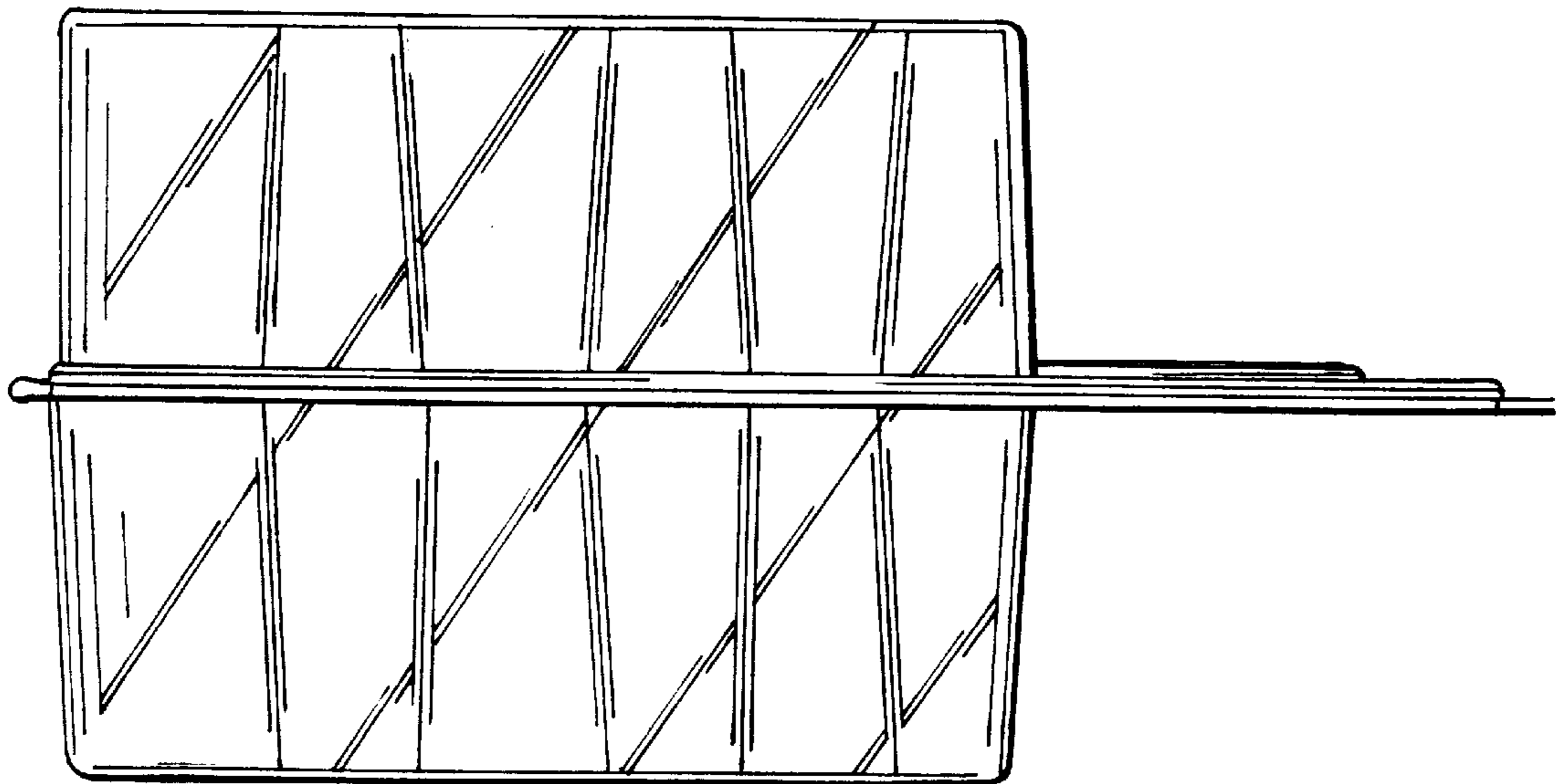
*Fig. 3*



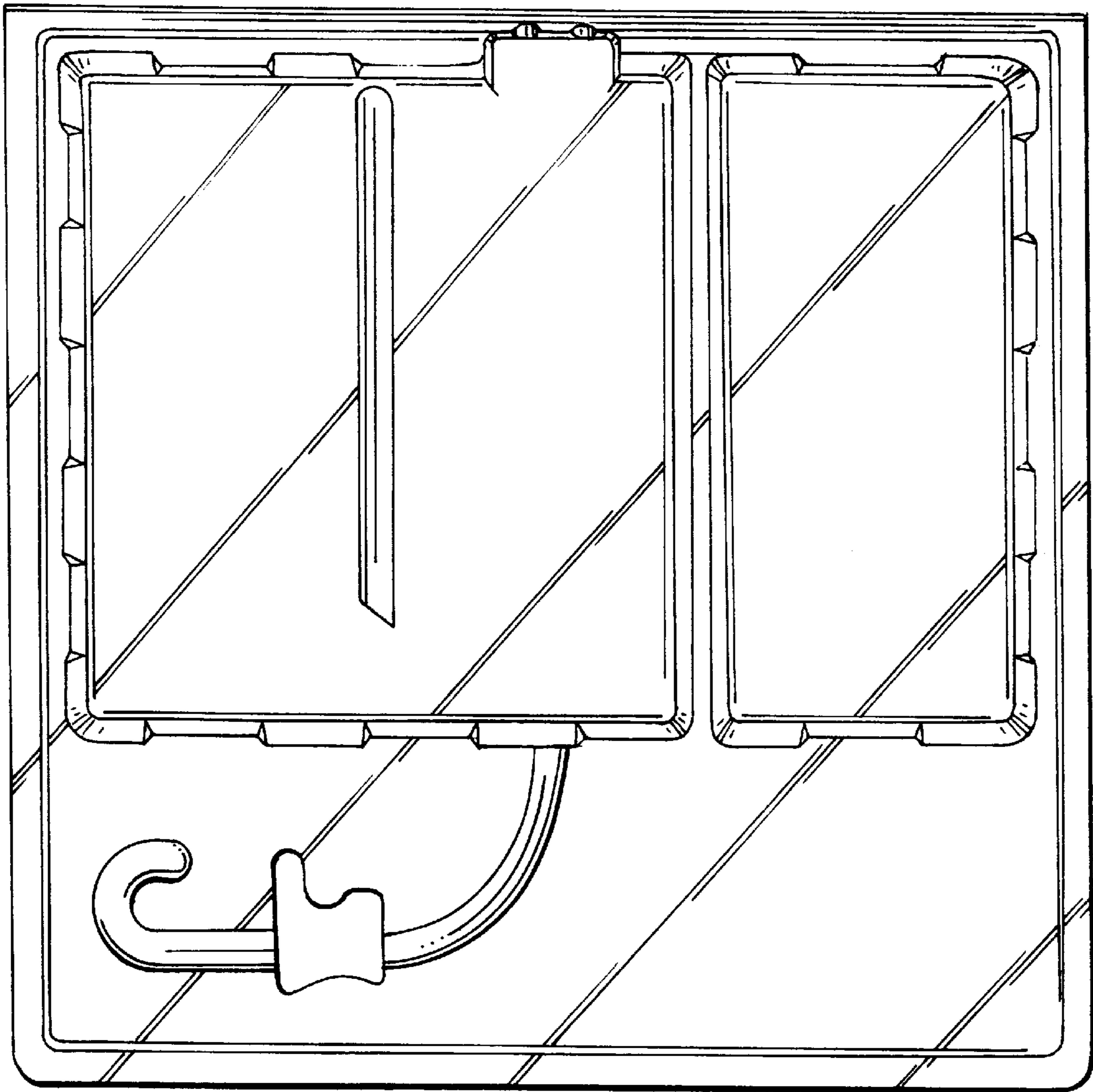
*Fig. 4*



*Fig. 5*



*Fig. 6*



*Fig. 7*