



US00D424427S

United States Patent [19]

[11] **Patent Number: Des. 424,427**

Saputo et al.

[45] **Date of Patent: ** May 9, 2000**

[54] **DISPLAY PACKAGE FOR LOCKSET**

5,064,056 11/1991 Gresh 206/321
5,129,516 7/1992 Theros 206/463
5,358,113 10/1994 Hellenbrand 206/471 X

[75] Inventors: **Brian P. Saputo**, Los Angeles; **Stanley E. Dunford**, Irvine; **William E. Limmer**, Los Alamitos, all of Calif.; **William H. Valls**, Harwinton, Conn.; **Robert W. Wilson**, Bishop, Calif.; **Frank Sterpka**, West Hartford; **Richard B. Droller**, New Hartford, both of Conn.

OTHER PUBLICATIONS

Modern packaging, p. 334, 1963.

Primary Examiner—Prabhakar Deshmukh
Attorney, Agent, or Firm—Charles E. Yocum; John D. Del Ponti

[73] Assignee: **Emhart Inc.**, Newark, Del.

[57] CLAIM

[**] Term: **14 Years**

The ornamental design for a display package for lockset, as shown and described.

[21] Appl. No.: **29/069,491**

DESCRIPTION

[22] Filed: **Apr. 21, 1997**

FIG. 1 is a perspective view of a display package for a lockset showing our new design;
FIG. 2 is a top plan view thereof;
FIG. 3 is a front elevational view thereof;
FIG. 4 is a bottom plan view thereof;
FIG. 5 is a rear elevational view thereof;
FIG. 6 is a left side elevational view thereof;
FIG. 7 is a left side elevational view thereof;
FIG. 8 is a perspective view of a display package for a leverset showing our new design;
FIG. 9 is a top plan view thereof;
FIG. 10 is a front elevational view thereof;
FIG. 11 is a bottom plan view thereof;
FIG. 12 is a rear elevational view thereof;
FIG. 13 is a left side elevational view thereof; and,
FIG. 14 is a right side elevational view thereof.

[51] **LOC (7) Cl.** **09-07**

[52] **U.S. Cl.** **D9/415; D9/418**

[58] **Field of Search** D9/414, 415, 418, D9/337, 341, 347; 206/461-471, 806, 495, 320, 321, 349, 775-783

[56] References Cited

U.S. PATENT DOCUMENTS

D. 281,227	11/1985	Okano	D9/415	X
D. 386,405	11/1997	Bernstein et al.	D9/415	
D. 405,370	2/1999	Humphrey	D9/415	X
D. 406,056	2/1999	Flores et al.	D9/415	
2,884,127	4/1959	Neary	206/462	
3,861,528	1/1975	Damuth	206/463	
4,307,803	12/1981	Johnson	206/461	

1 Claim, 8 Drawing Sheets

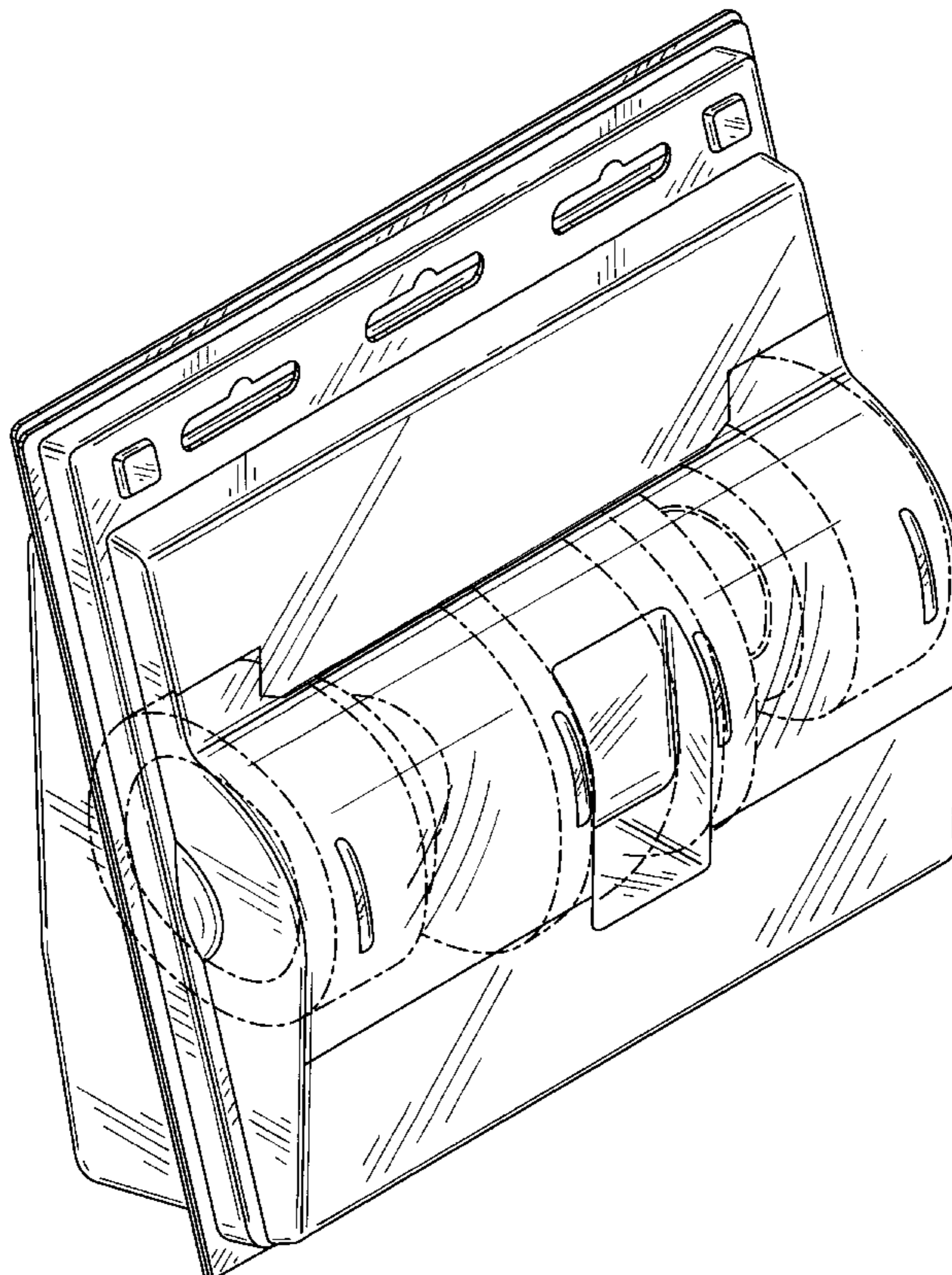


FIG. 1

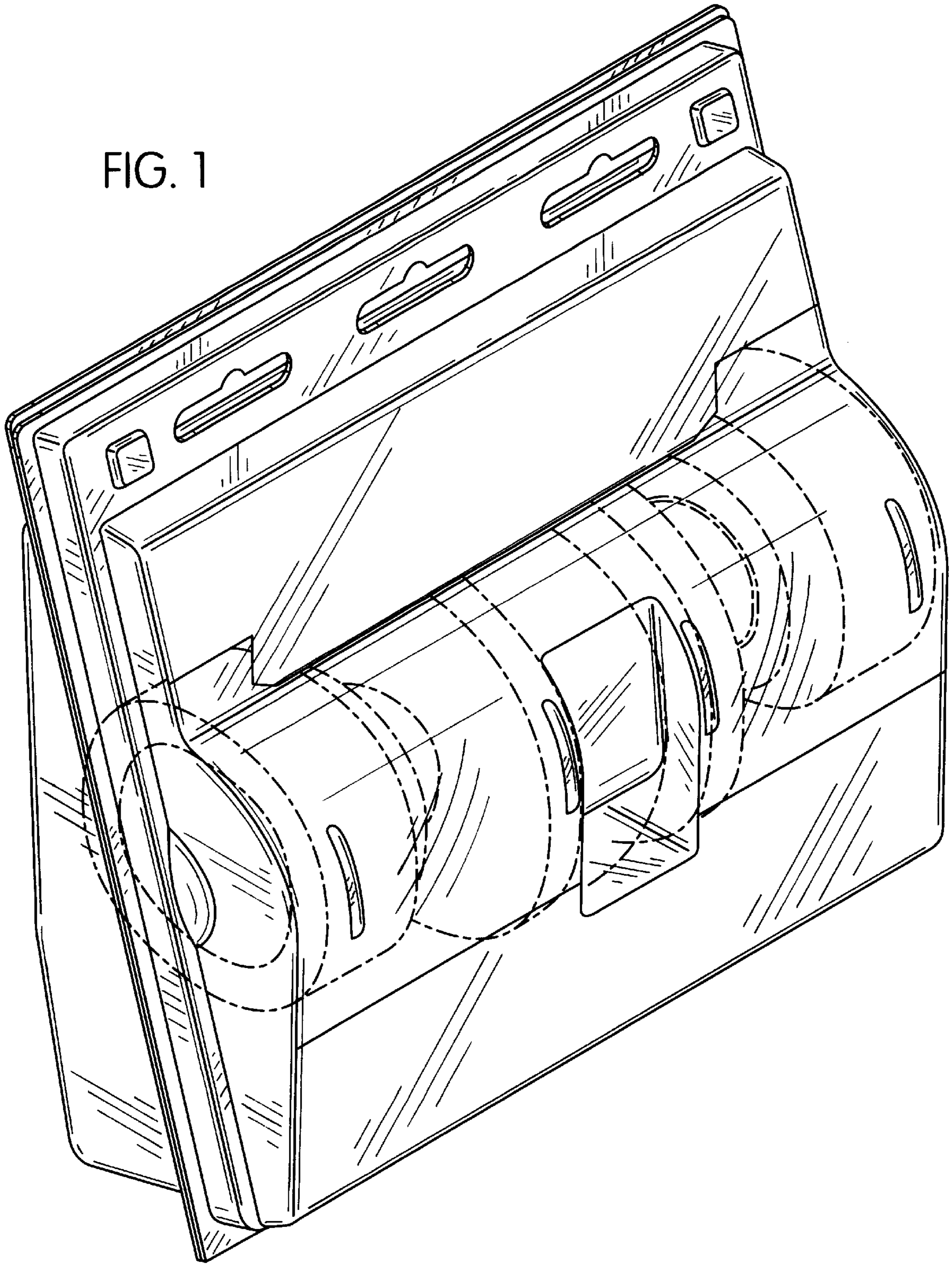


FIG. 2

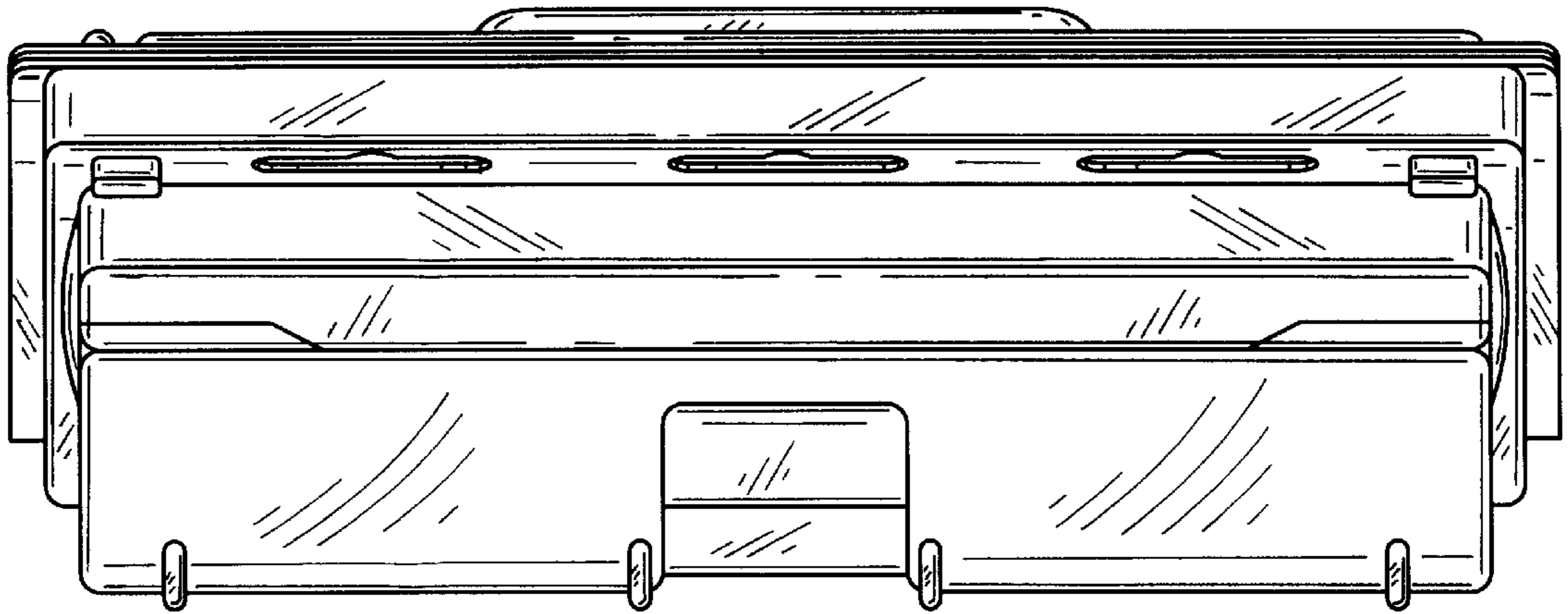


FIG. 3

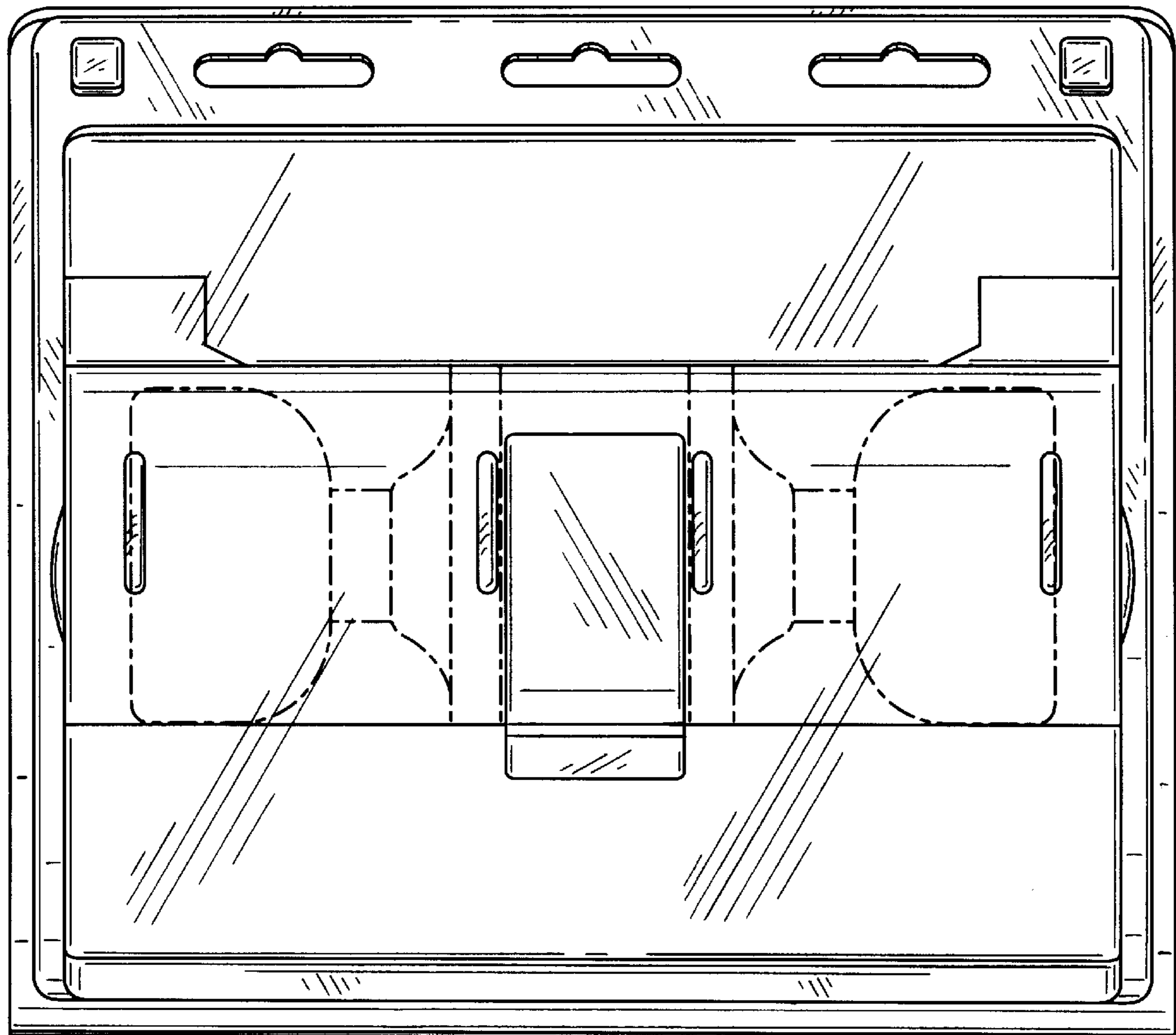


FIG. 4

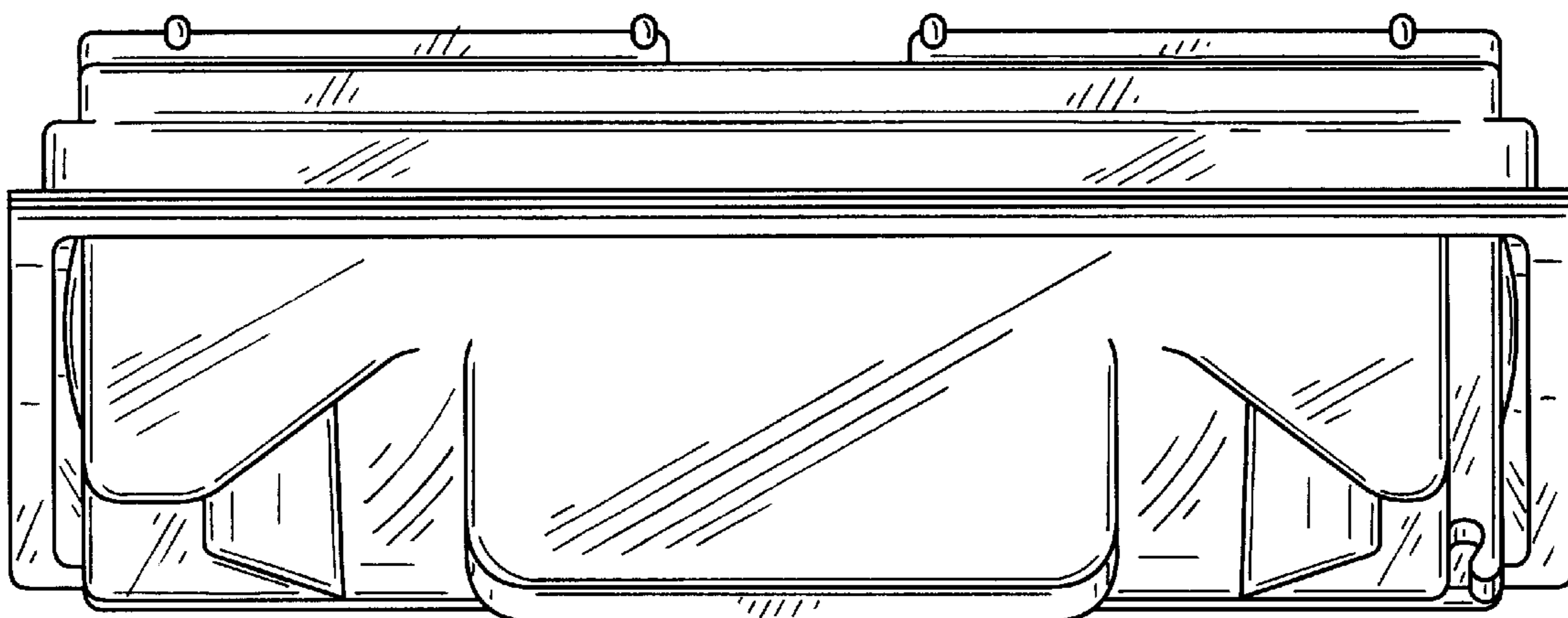
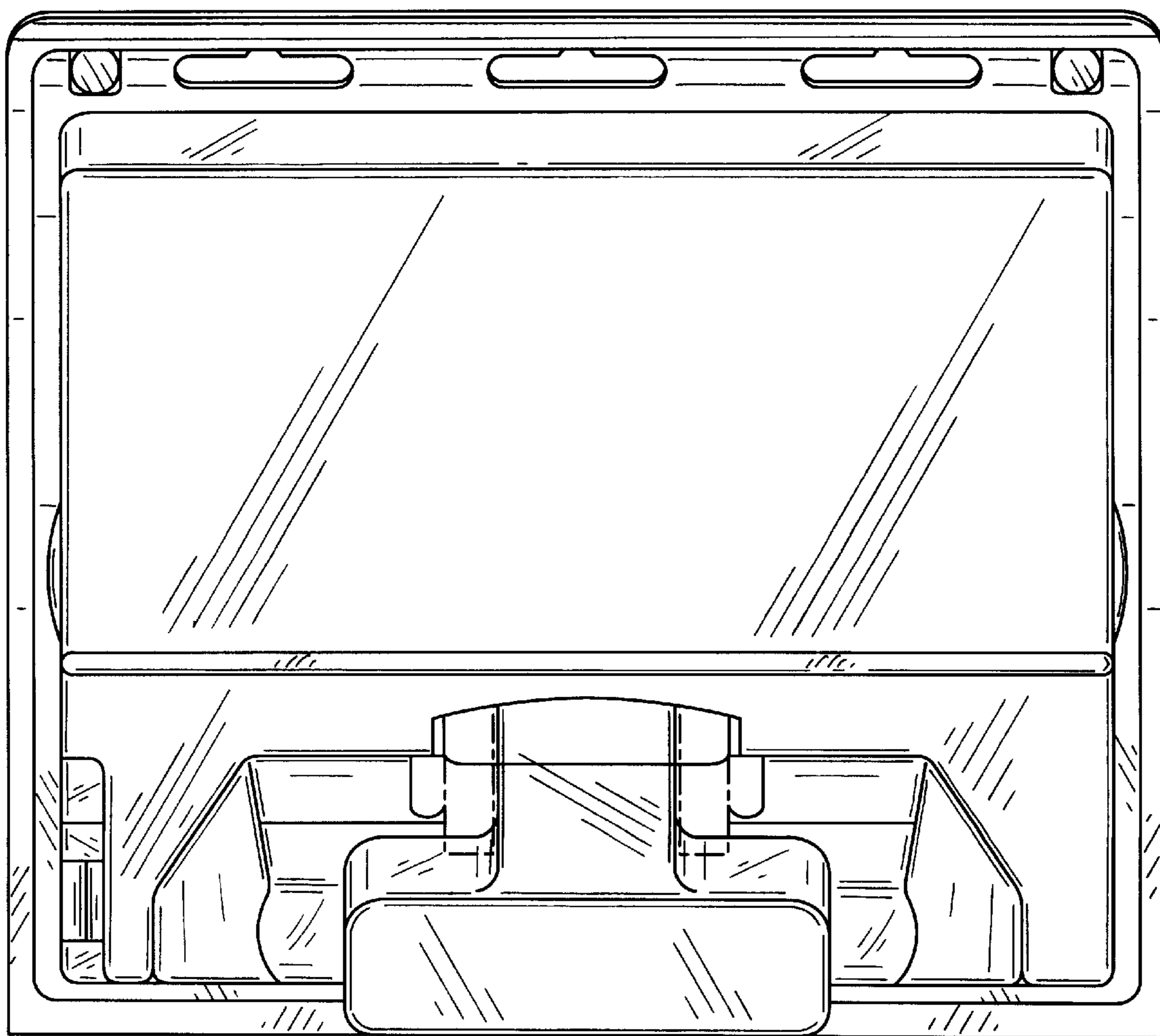


FIG. 5



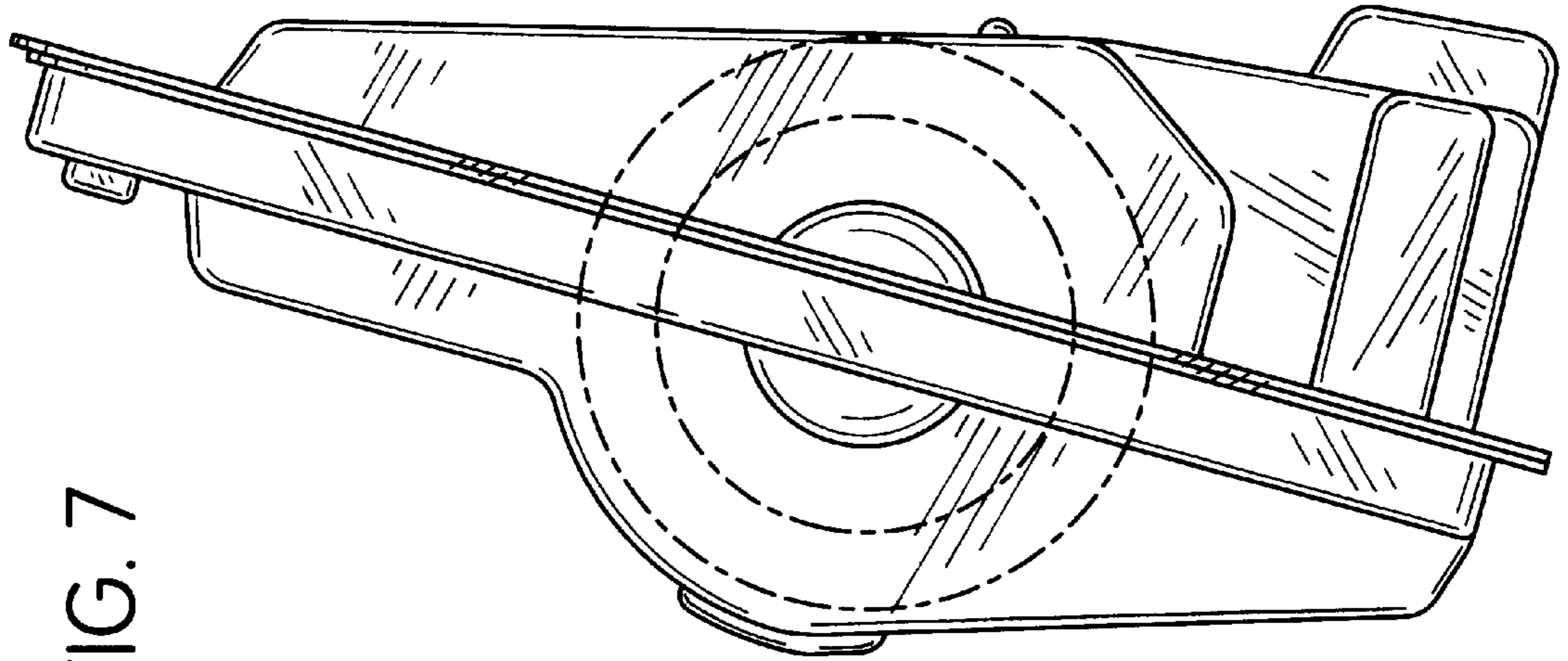


FIG. 7

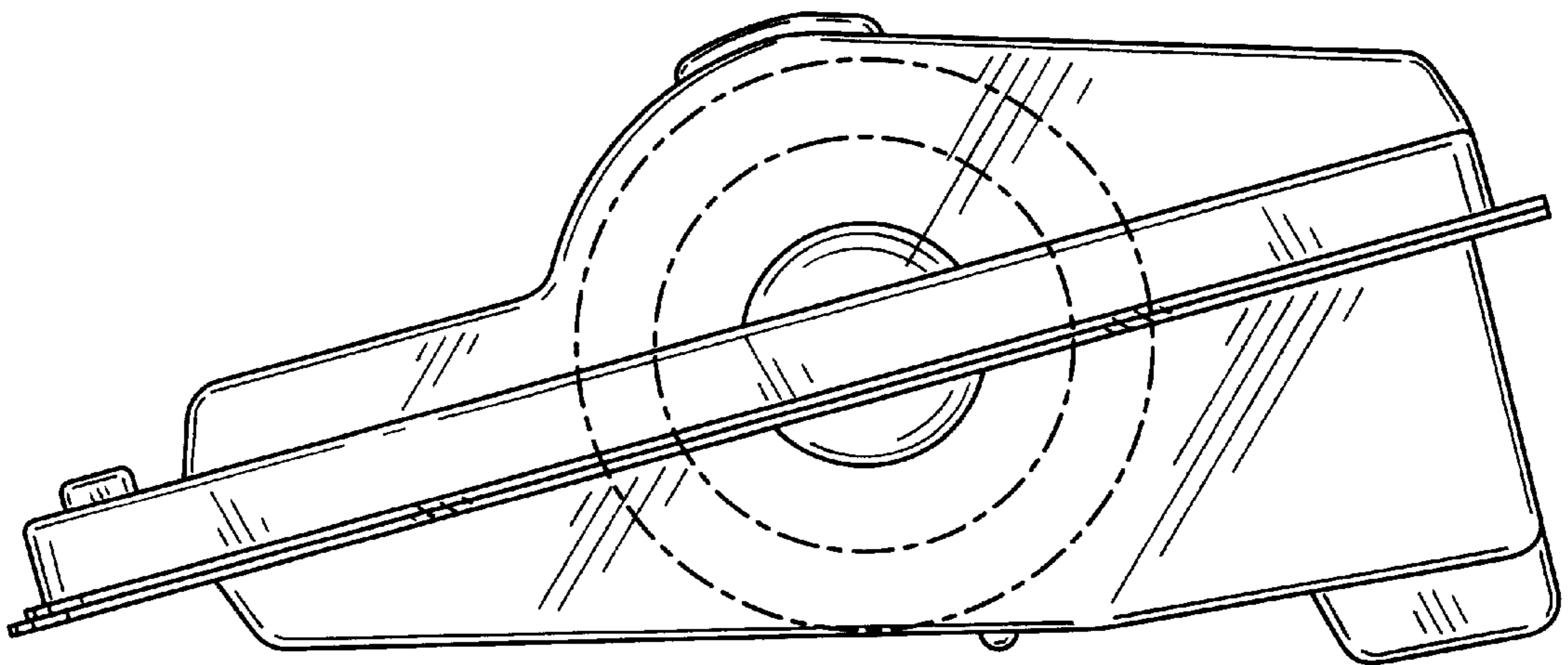


FIG. 6

FIG. 8

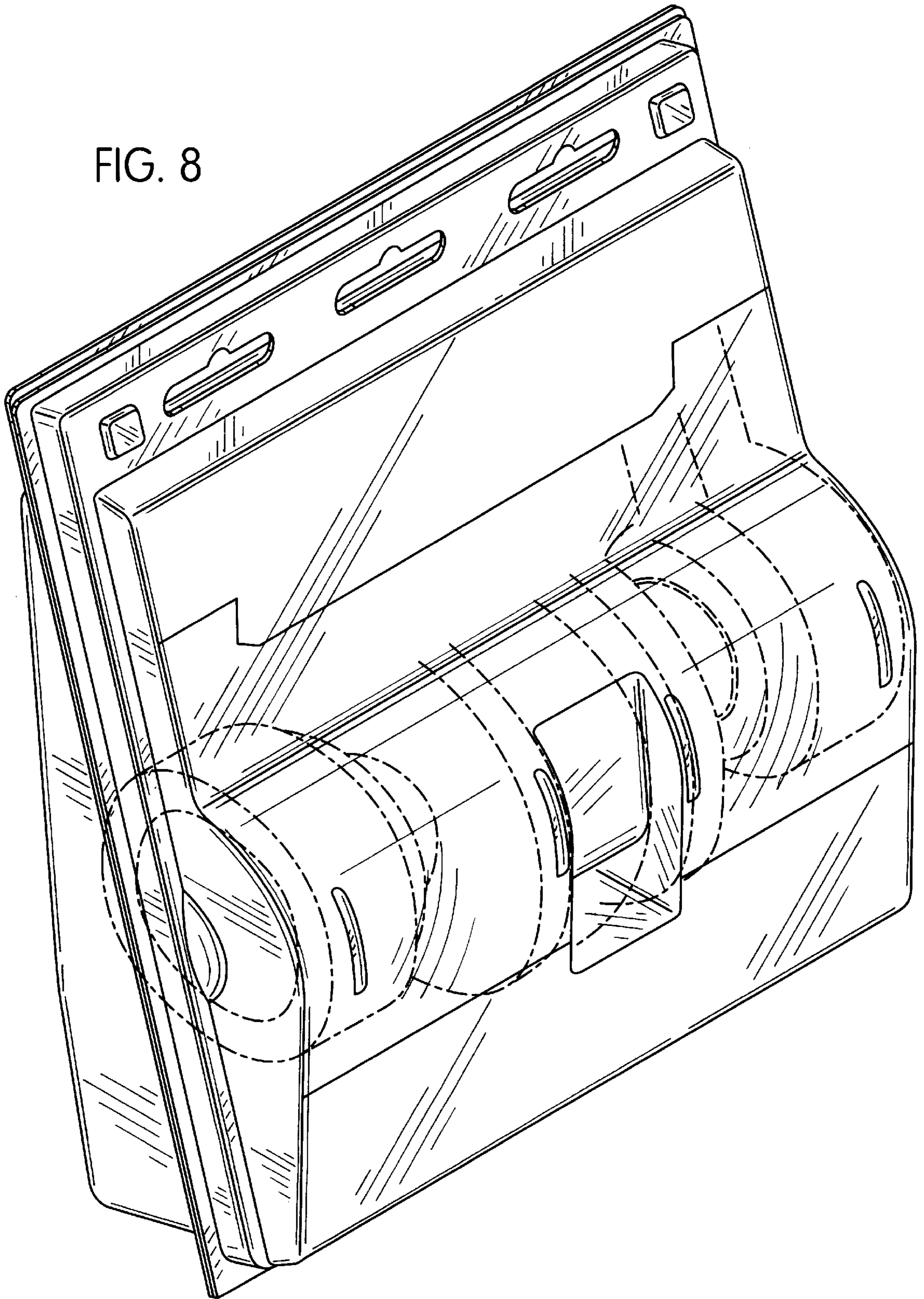


FIG. 9

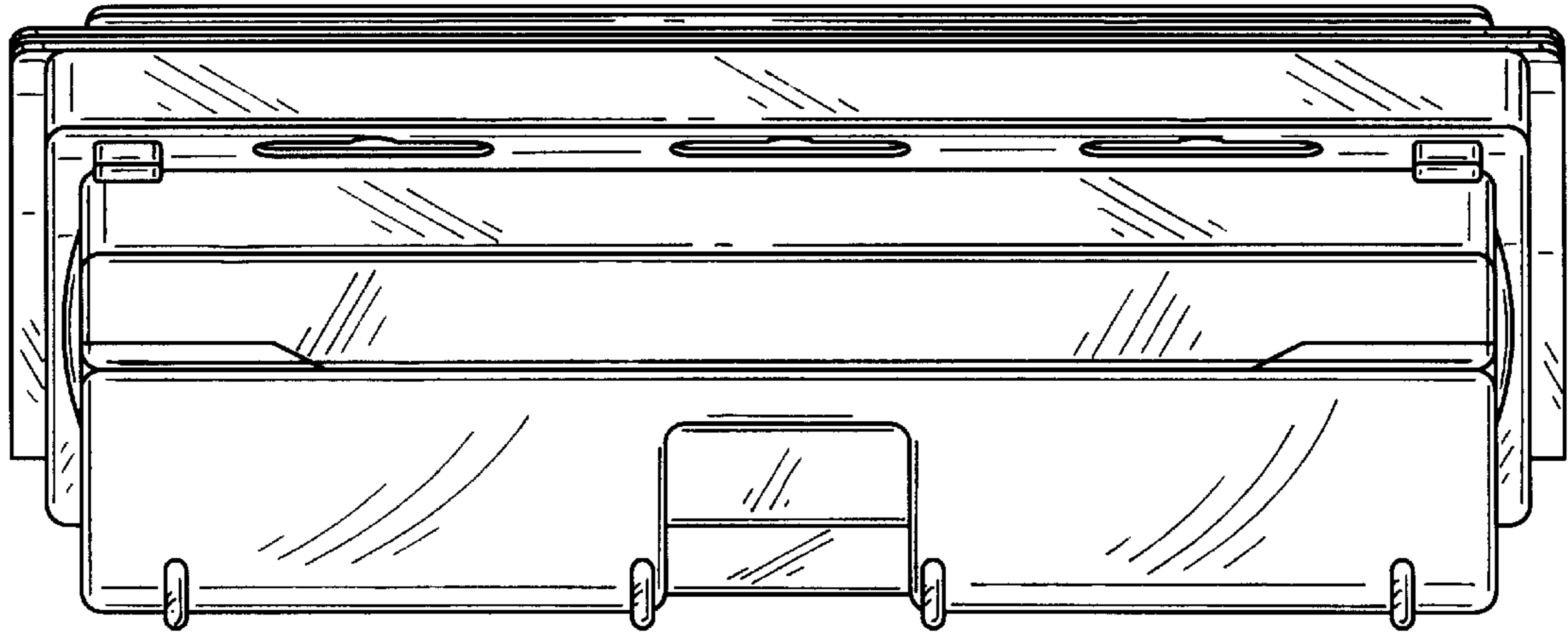


FIG. 10

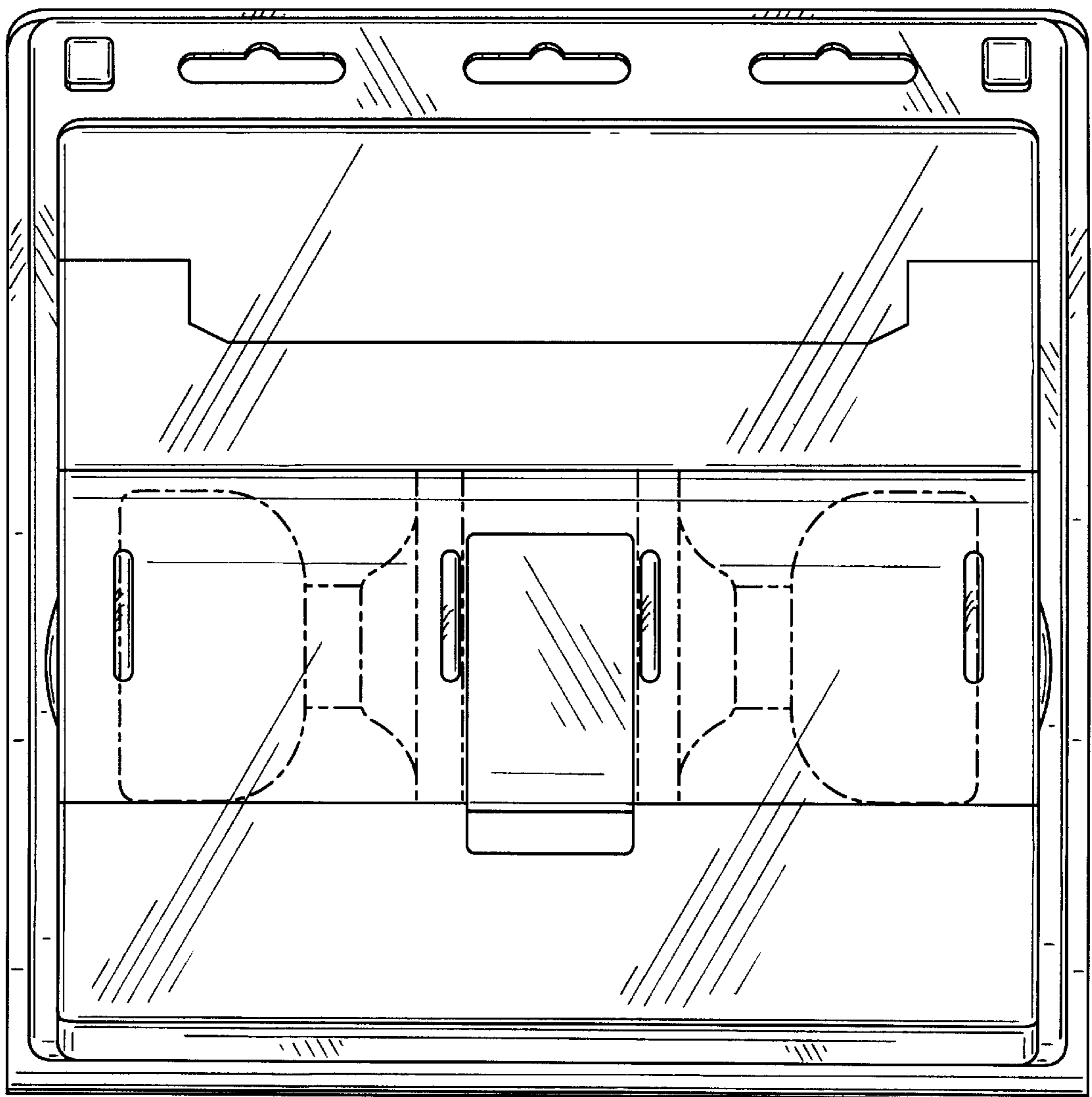


FIG. 11

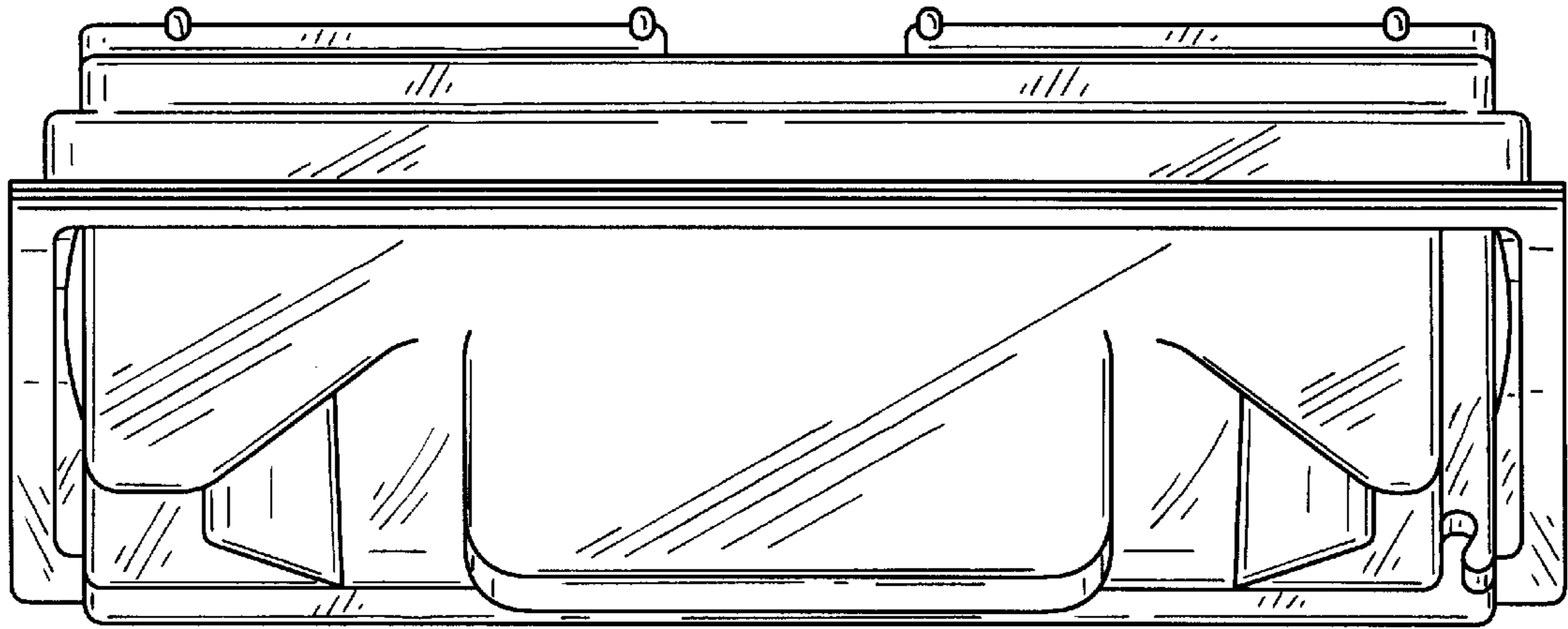
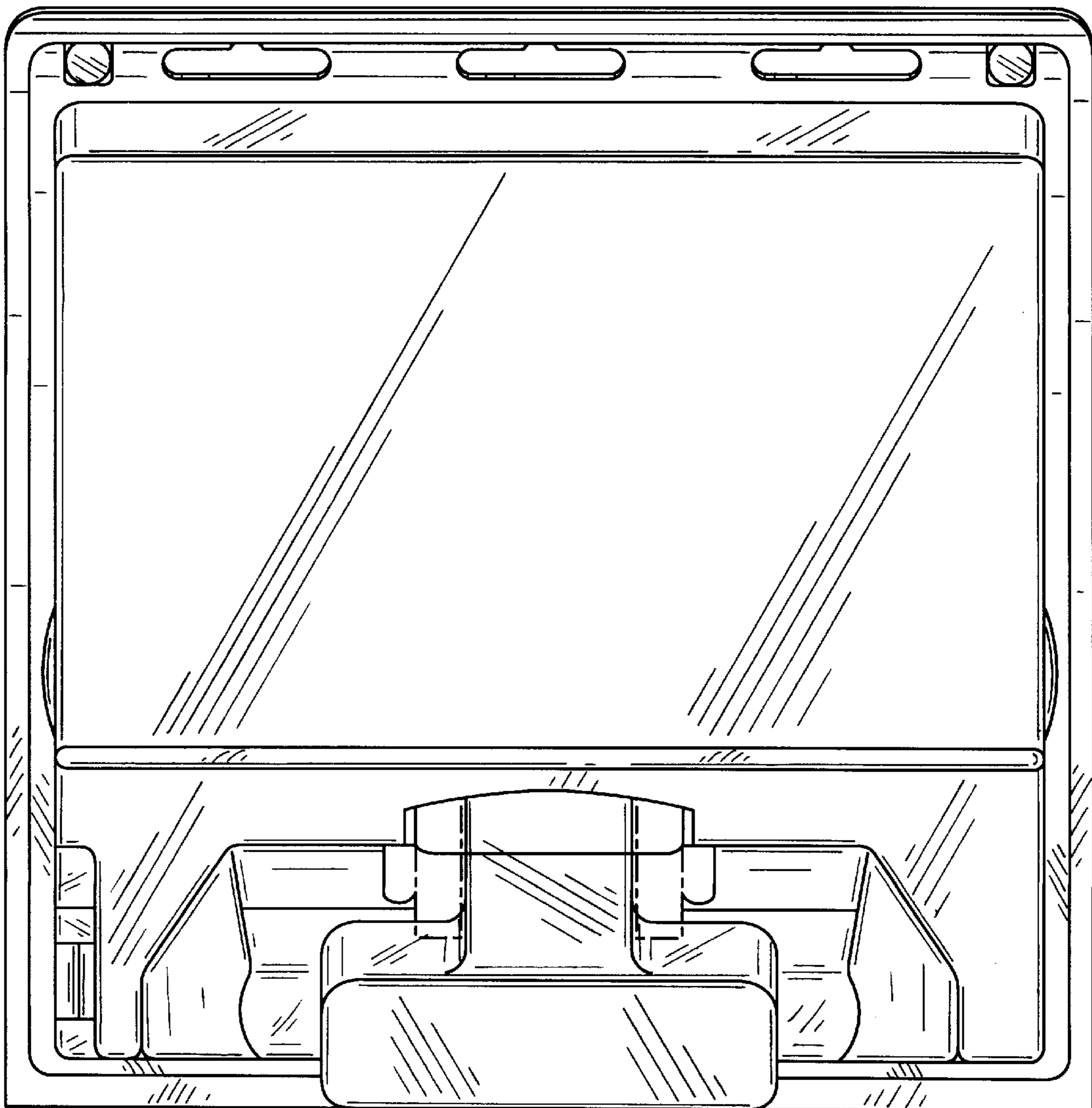


FIG. 12



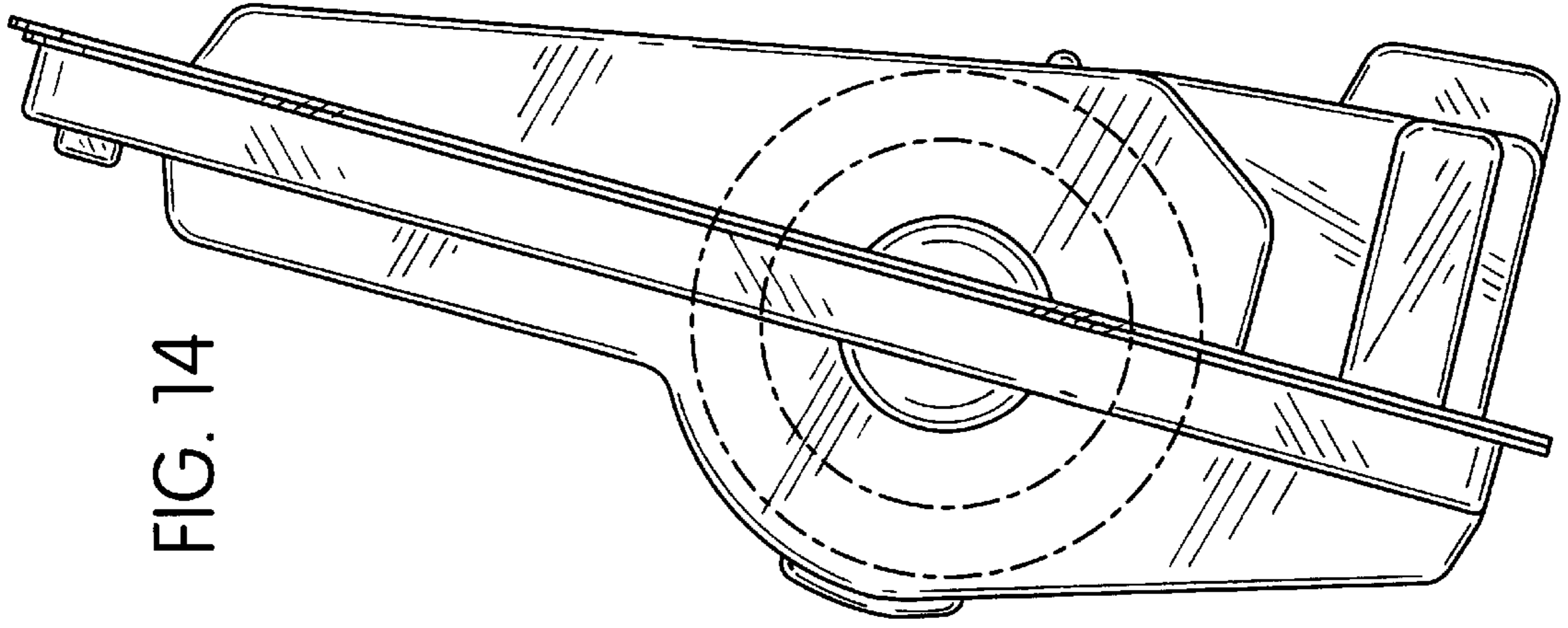


FIG. 14

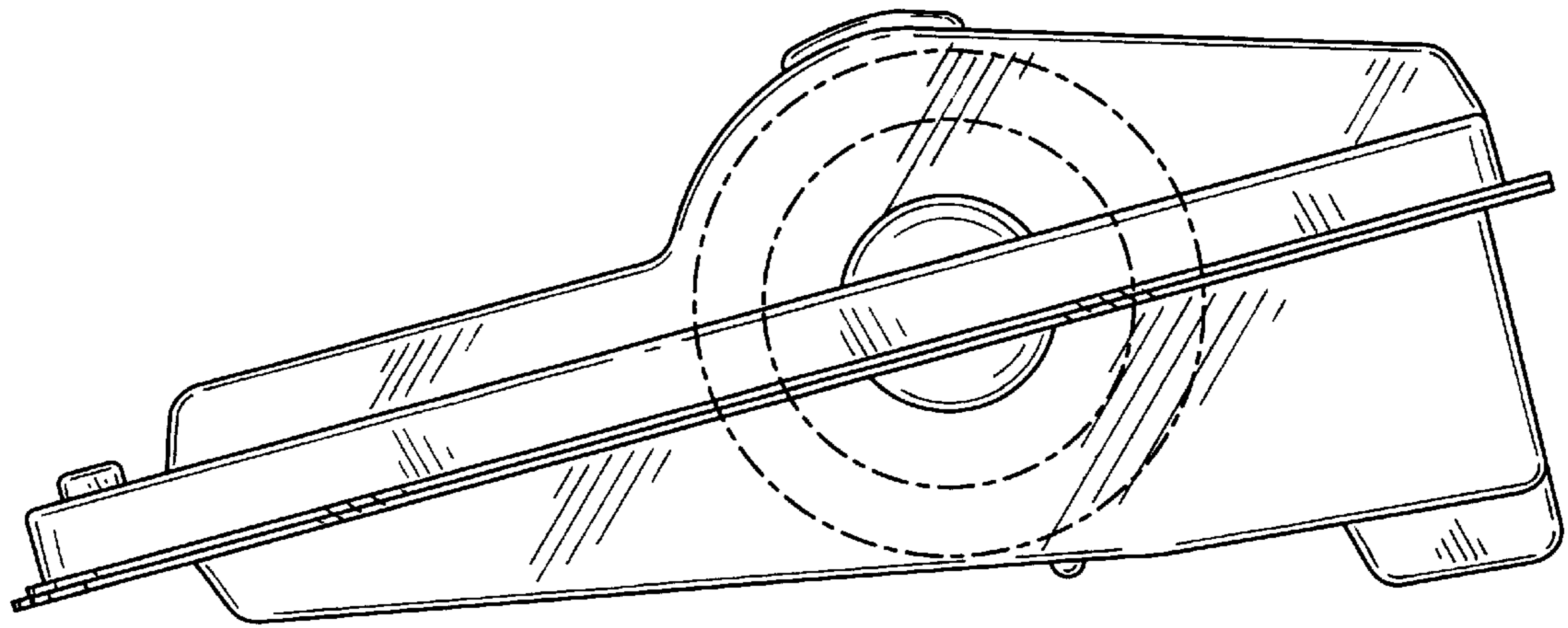


FIG. 13