



US00D424426S

United States Patent [19] Fletcher

[11] **Patent Number: Des. 424,426**

[45] **Date of Patent: ** *May 9, 2000**

[54] **PACKAGING CUP**

[75] Inventor: **Michael Fletcher**, Oyster Bay, N.Y.

[73] Assignee: **Kozy Shack, Inc.**, Hicksville, N.Y.

[*] Notice: This patent is subject to a terminal disclaimer.

[**] Term: **14 Years**

[21] Appl. No.: **29/094,154**

[22] Filed: **Sep. 24, 1998**

[51] **LOC (7) Cl.** **09-03**

[52] **U.S. Cl.** **D9/347**

[58] **Field of Search** D7/549, 555; D9/337-338, D9/341, 345, 424-425, 432, 445; 206/518, 562, 564; 220/500, 555, 575; 426/120

[56] **References Cited**

U.S. PATENT DOCUMENTS

D. 351,997 11/1994 Finnah D9/341

D. 393,798	4/1998	Joswick	D9/445
4,756,425	7/1988	Wise	206/518
5,381,901	1/1995	Hundley	206/564
5,674,546	10/1997	Barnes et al.	426/120
5,853,105	12/1998	Roman et al.	220/575
5,919,501	7/1999	Rozzano	426/120

Primary Examiner—Ted Shooman
Assistant Examiner—Carol Rademaker
Attorney, Agent, or Firm—Bauer & Schaffer, LLP

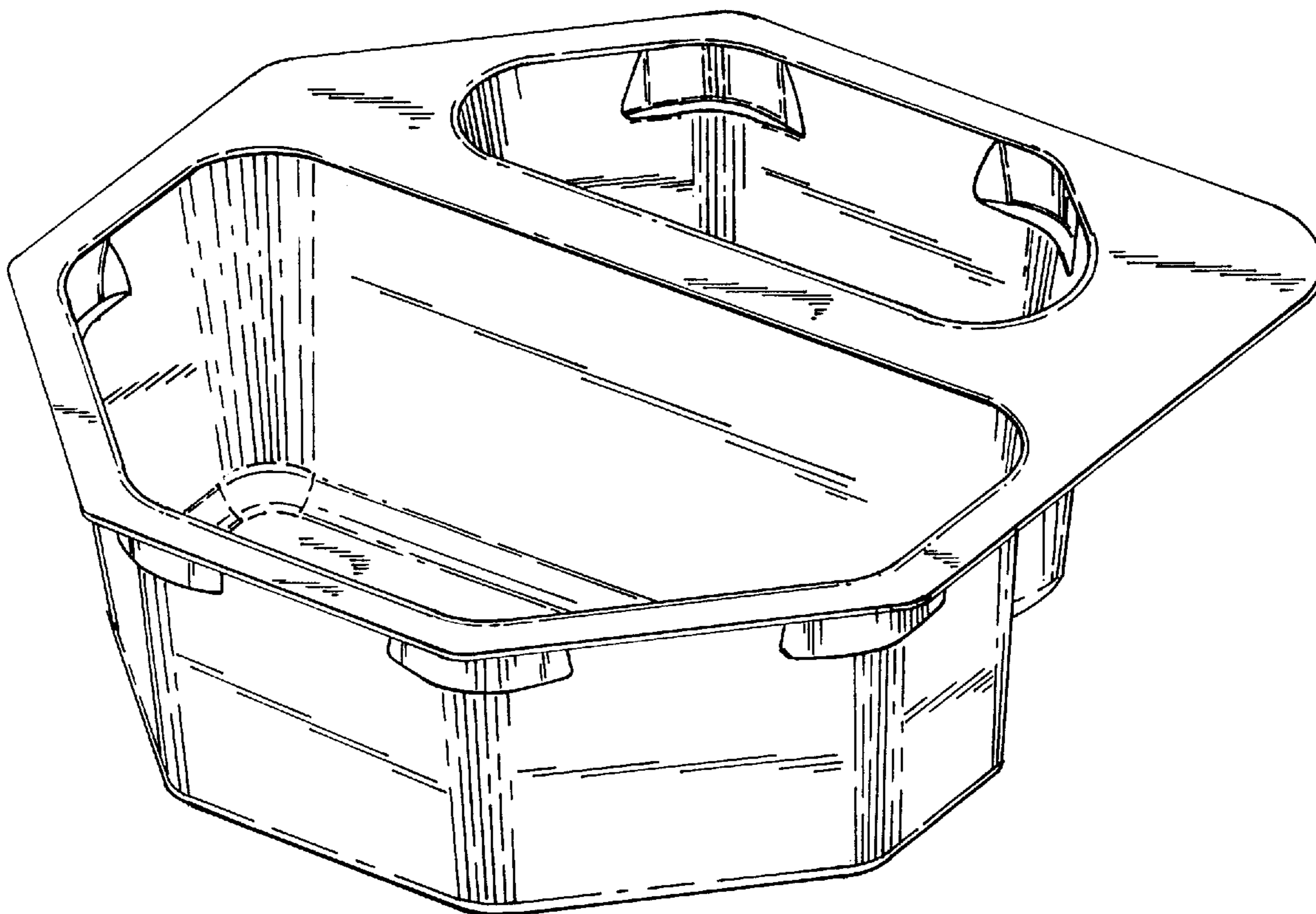
[57] **CLAIM**

The ornamental design for a packaging cup, as shown.

DESCRIPTION

FIG. 1 is a perspective view of a packaging cup embodying the present design;
FIG. 2 is a top plan view of the packaging cup;
FIG. 3 is a left side elevational view of the packaging cup;
FIG. 4 is rear elevational view of the packaging cup;
FIG. 5 is a right side elevational view of the packaging cup;
FIG. 6 is a front elevational view of the packaging cup; and,
FIG. 7 is a bottom plan view of the packaging cup.

1 Claim, 3 Drawing Sheets



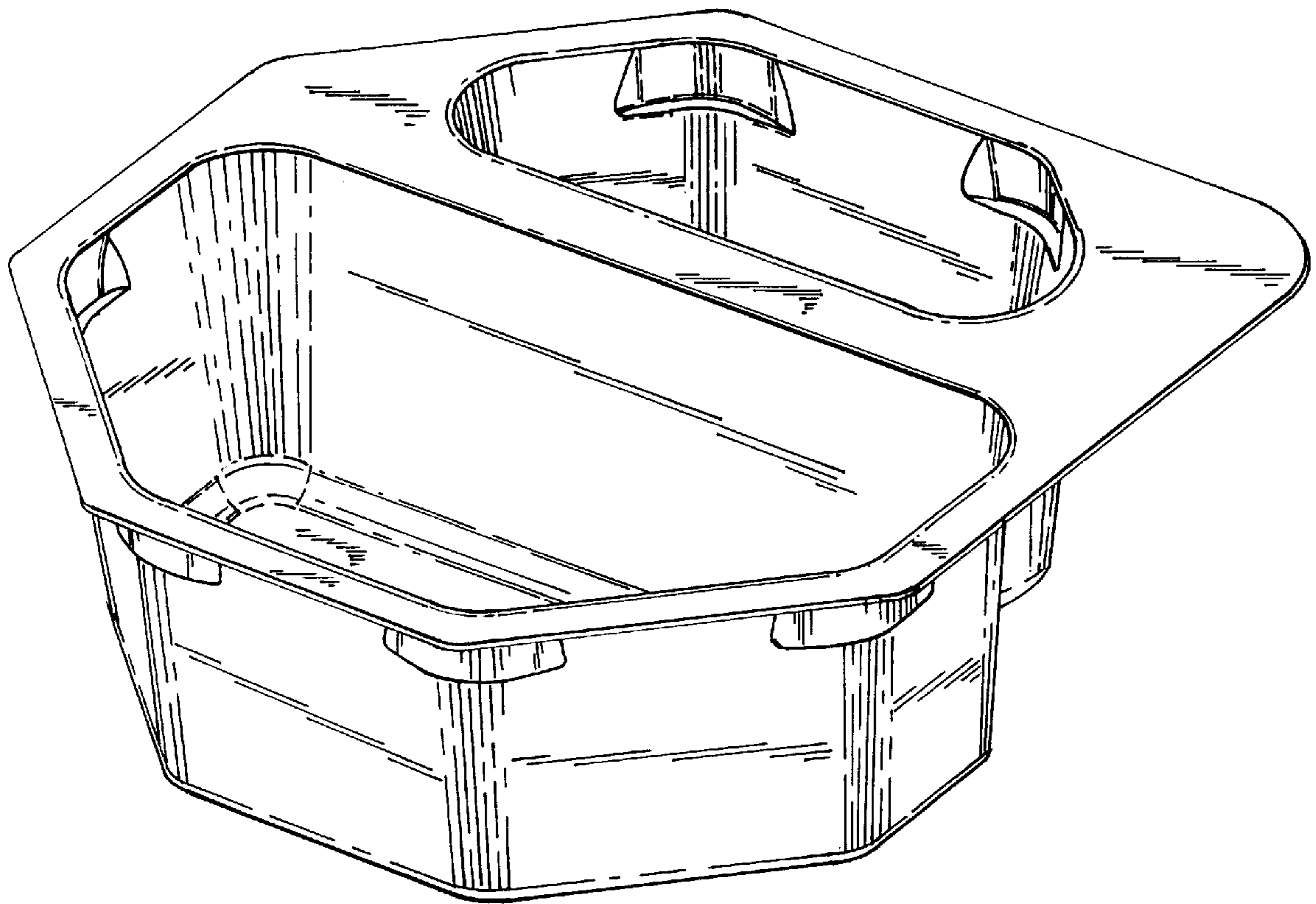


Fig. 1

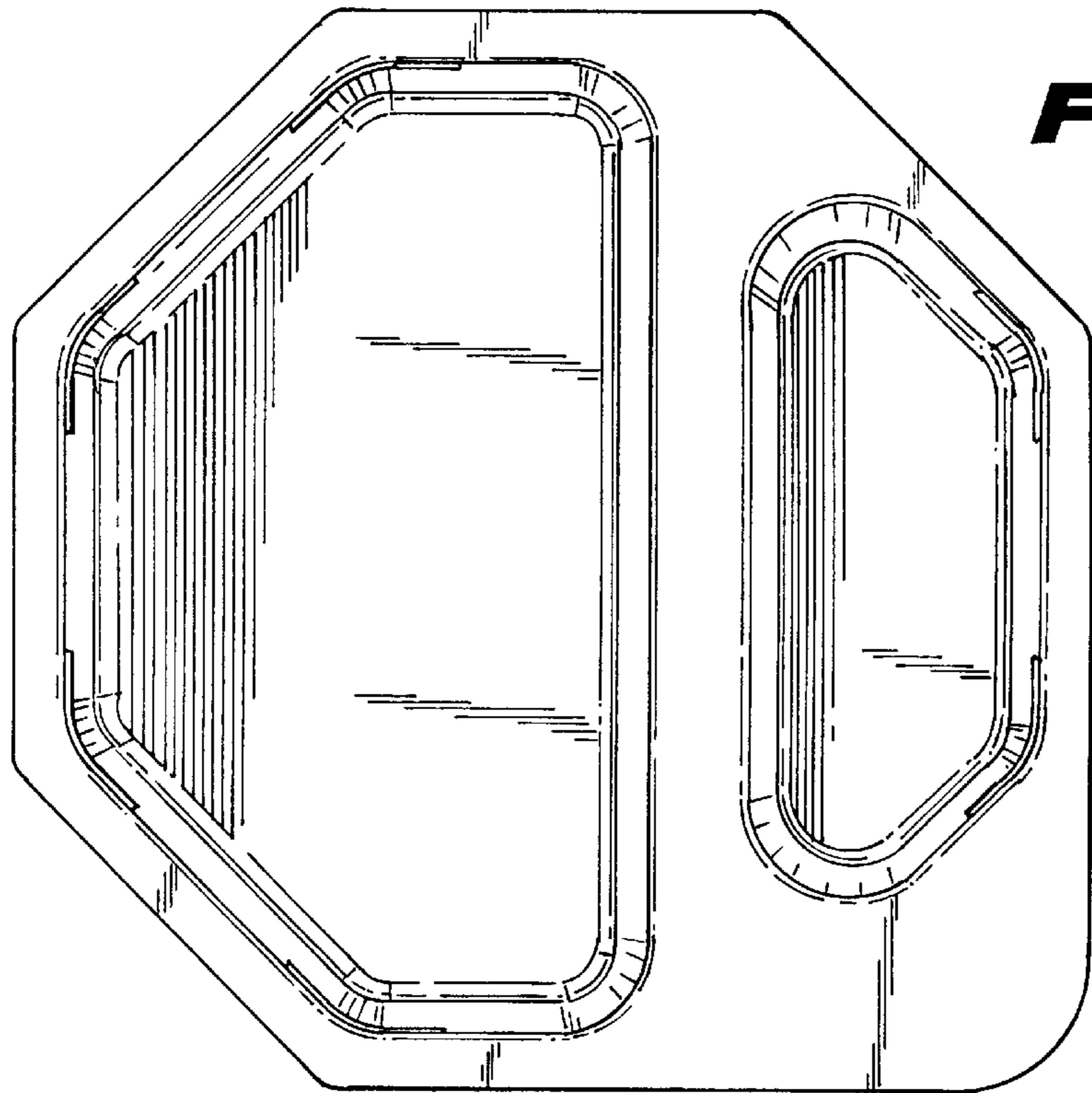


Fig. 2

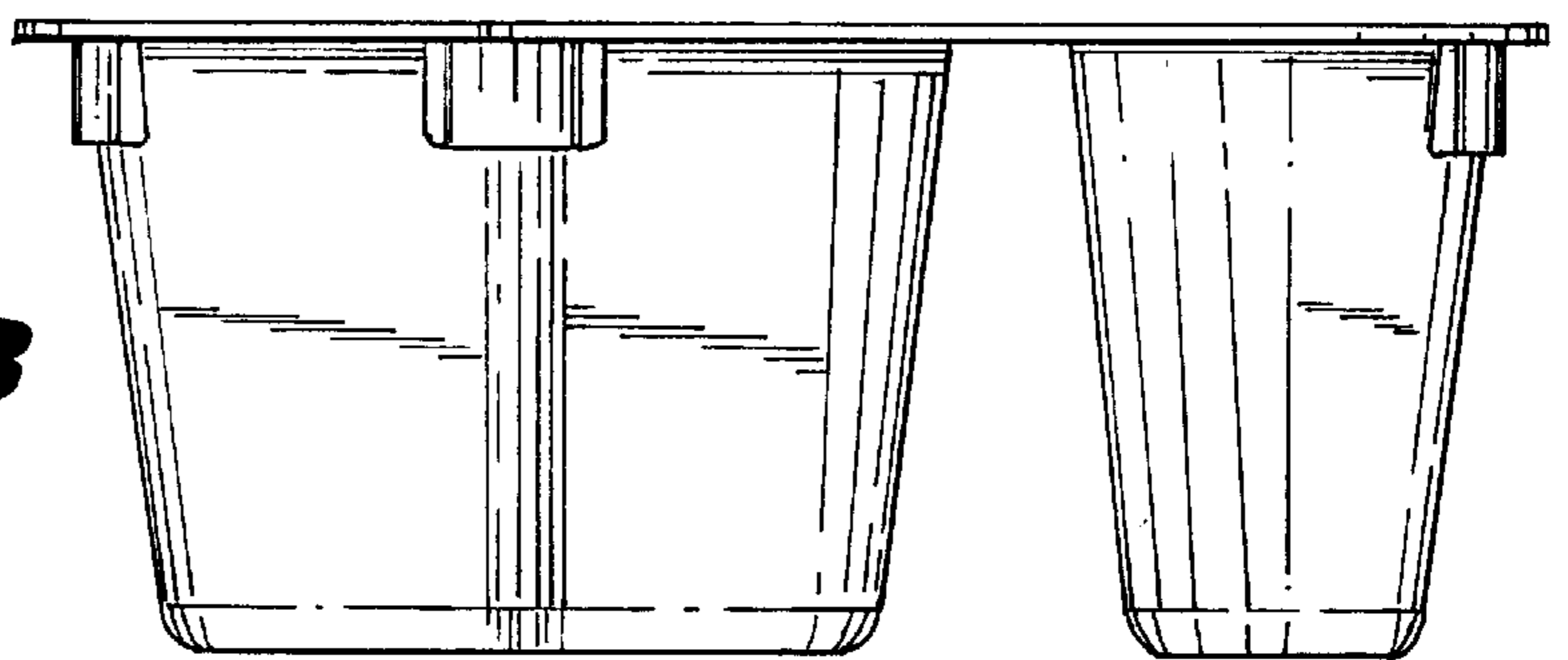


Fig. 3

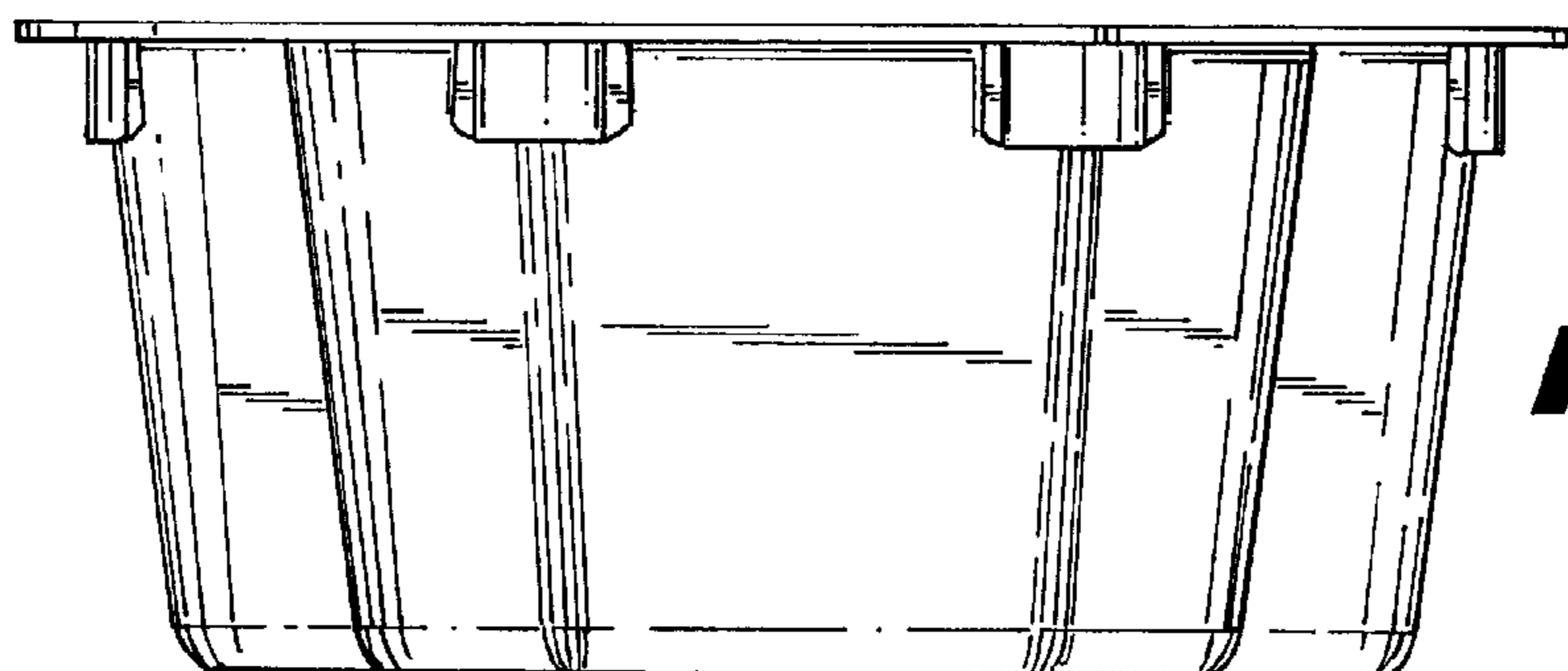


Fig. 4

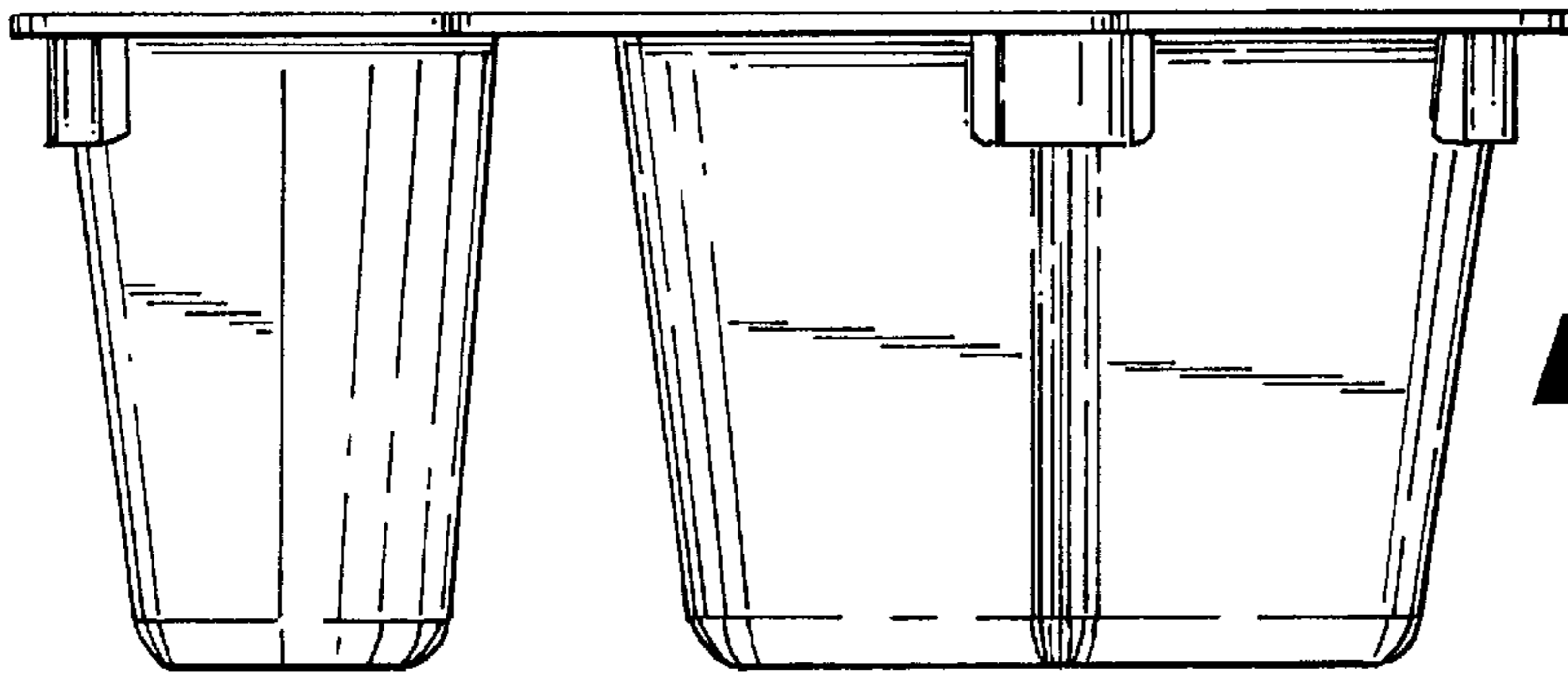


Fig. 5

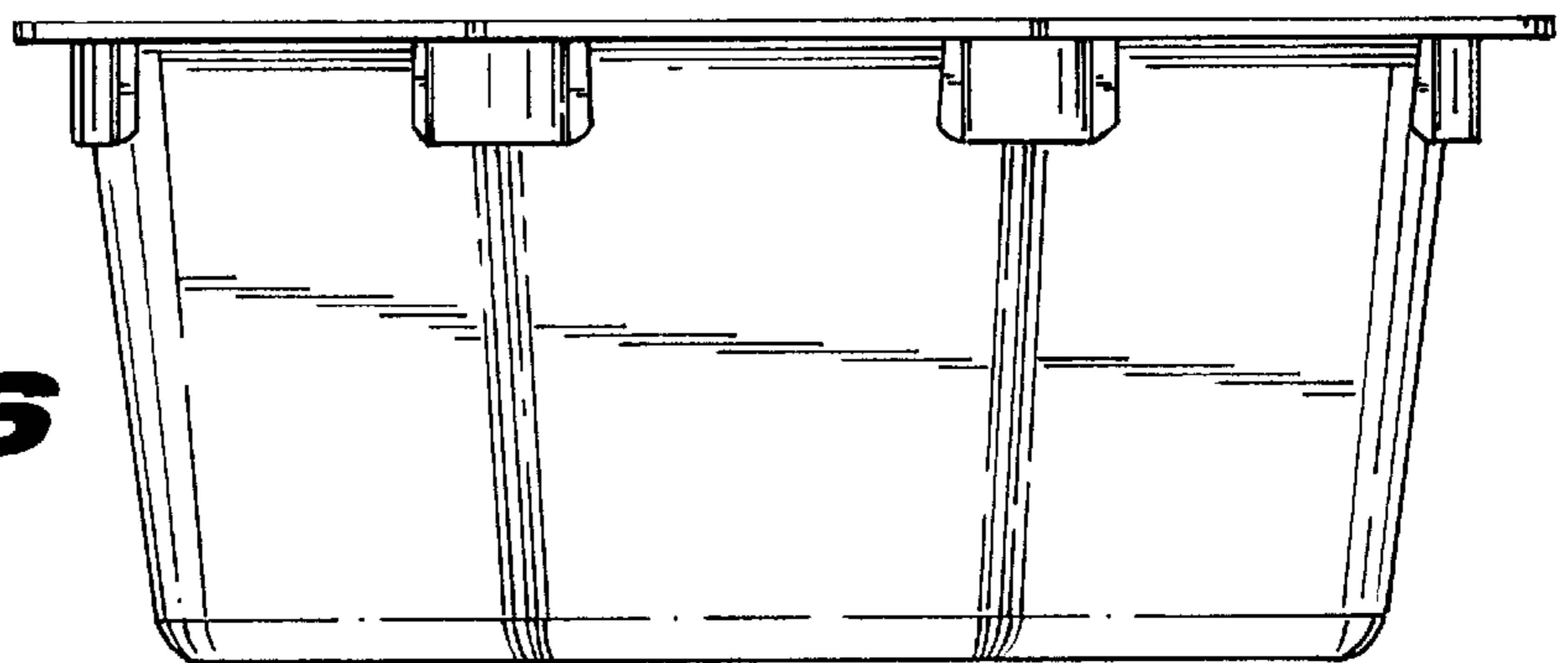


Fig. 6

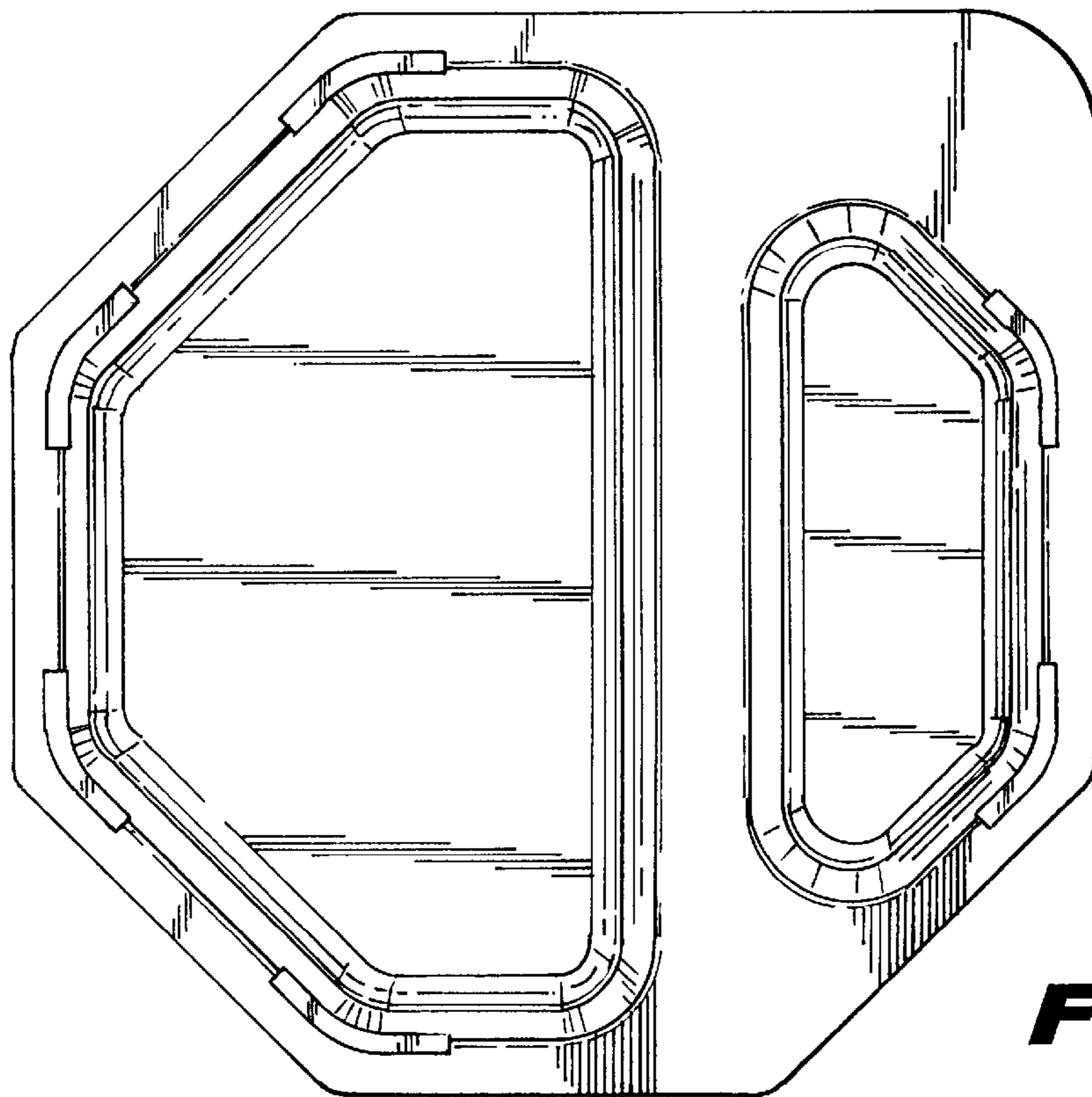


Fig. 7