



US00D424421S

United States Patent [19] Ono

[11] **Patent Number: Des. 424,421**

[45] **Date of Patent: ** May 9, 2000**

[54] **NUT**

4,936,727 6/1990 Kolvereid 411/432

[75] **Inventor: Toru Ono, Izumi, Japan**

OTHER PUBLICATIONS

[73] **Assignee: Yugen Kaisha Ion Seiko, Osaka, Japan**

Machine Design—The Fasteners Book; p. 136; Uni-Torque Locknut (Center), Sep. 29, 1960.

[**] **Term: 14 Years**

Primary Examiner—B. J. Bullock

Attorney, Agent, or Firm—J.C. Patents; Jiawei Huang

[21] **Appl. No.: 29/099,632**

[22] **Filed: Jan. 25, 1999**

[57] CLAIM

The ornamental design for a nut, as shown and described.

[30] Foreign Application Priority Data

Nov. 6, 1998 [JP] Japan 10-32107

DESCRIPTION

[51] **LOC (7) Cl. 08-08**

FIG. 1 is a top view of the nut;

[52] **U.S. Cl. D8/397**

FIG. 2 is a front view of the nut of FIG. 1 (rear side is a mirror image);

[58] **Field of Search D8/397; 411/427, 411/429, 432, 98, 179**

FIG. 3 is a left side view of the nut of FIG. 1 (right side is a mirror image);

FIG. 4 is a bottom view of the nut of FIG. 1;

FIG. 5 is a cross-sectional view of the nut as viewed from 5—5 of FIG. 2;

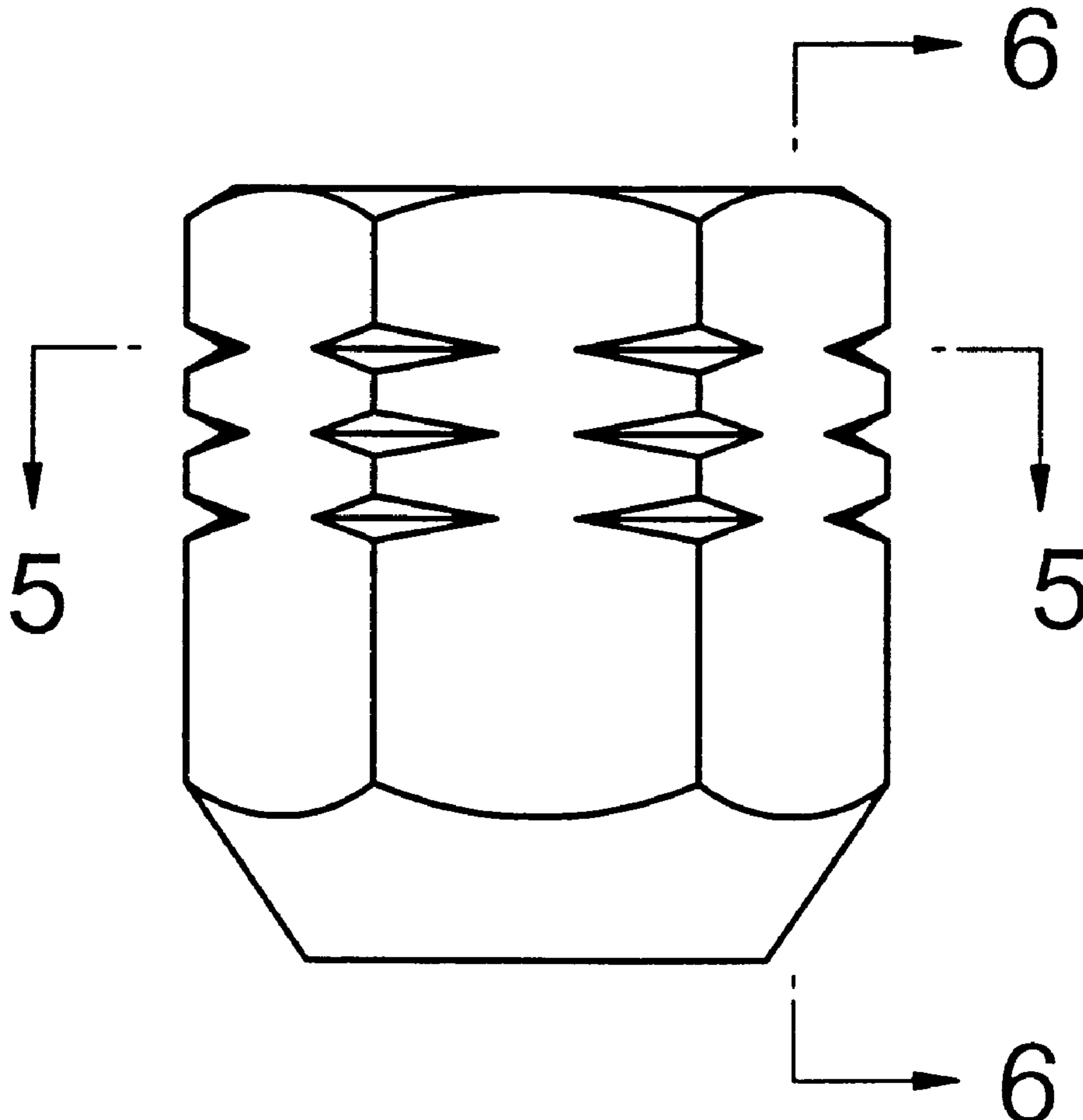
FIG. 6 is an enlarged view of the 6—6 portion of the nut of FIG. 2.

[56] References Cited

U.S. PATENT DOCUMENTS

D. 208,429	8/1967	Holliday	D8/397
D. 242,219	11/1976	Ono	D8/397
D. 262,354	12/1981	Kishida	D8/397
443,117	12/1890	Sharap	.	

1 Claim, 3 Drawing Sheets



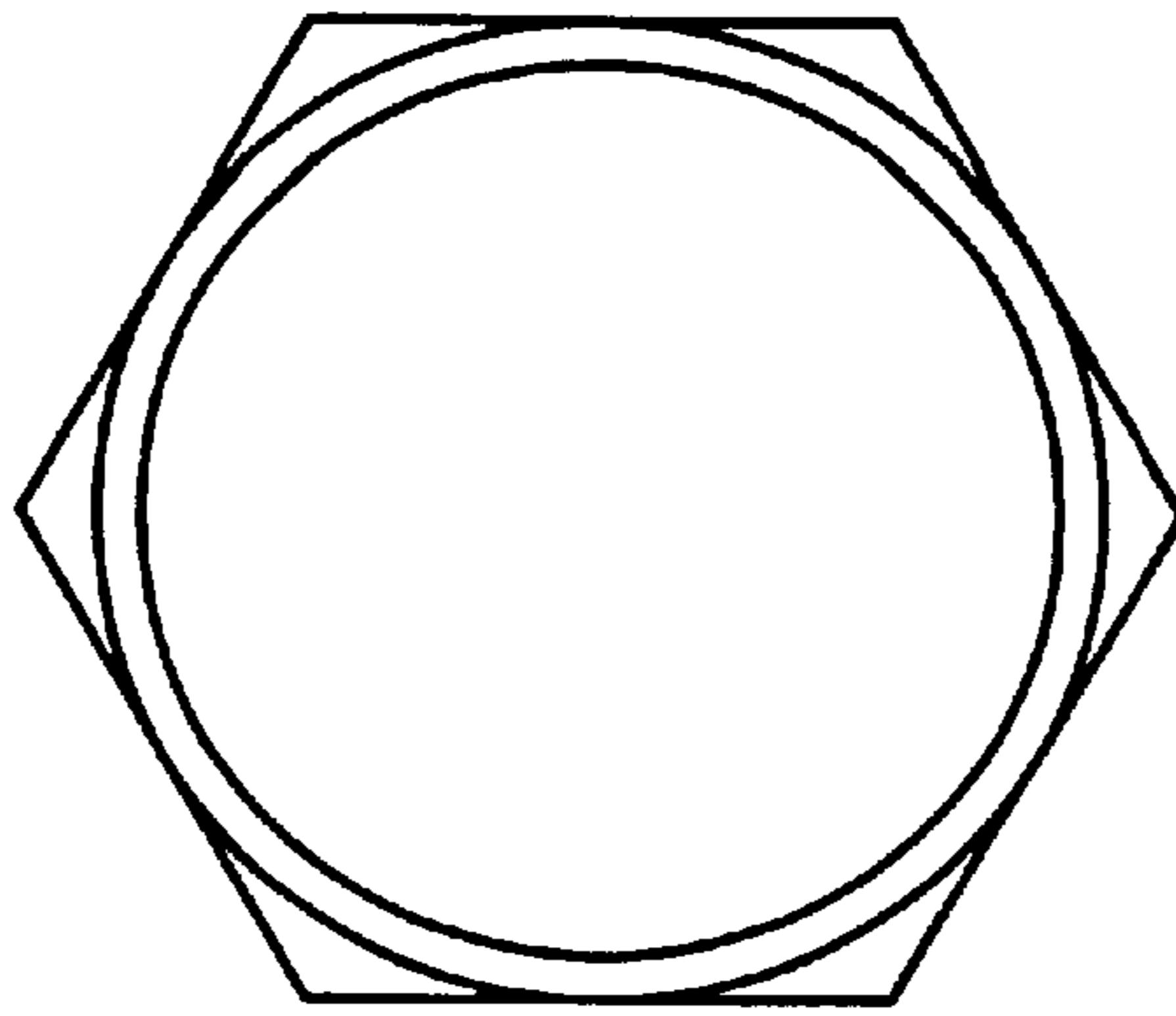


FIG. 1

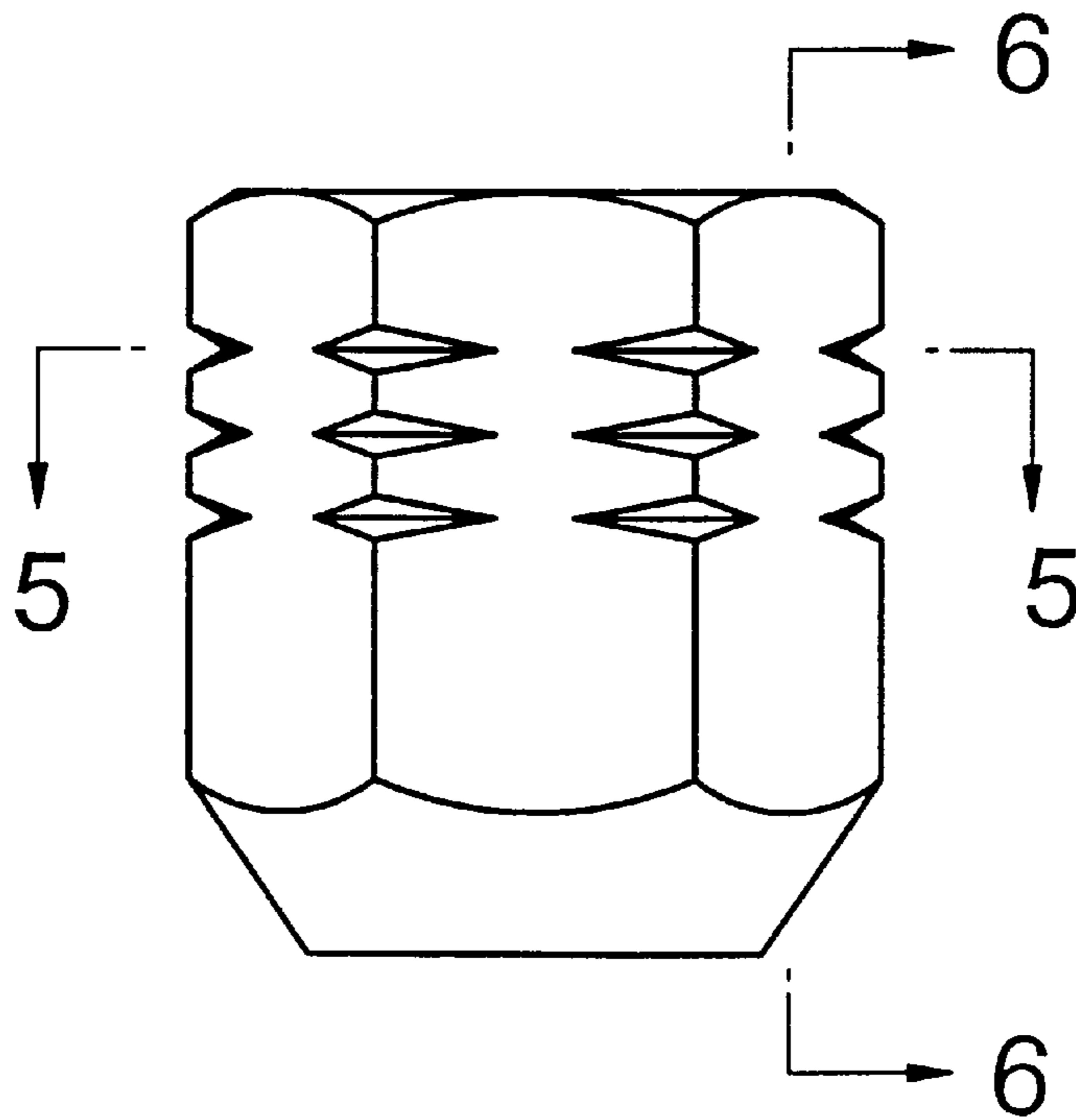


FIG. 2

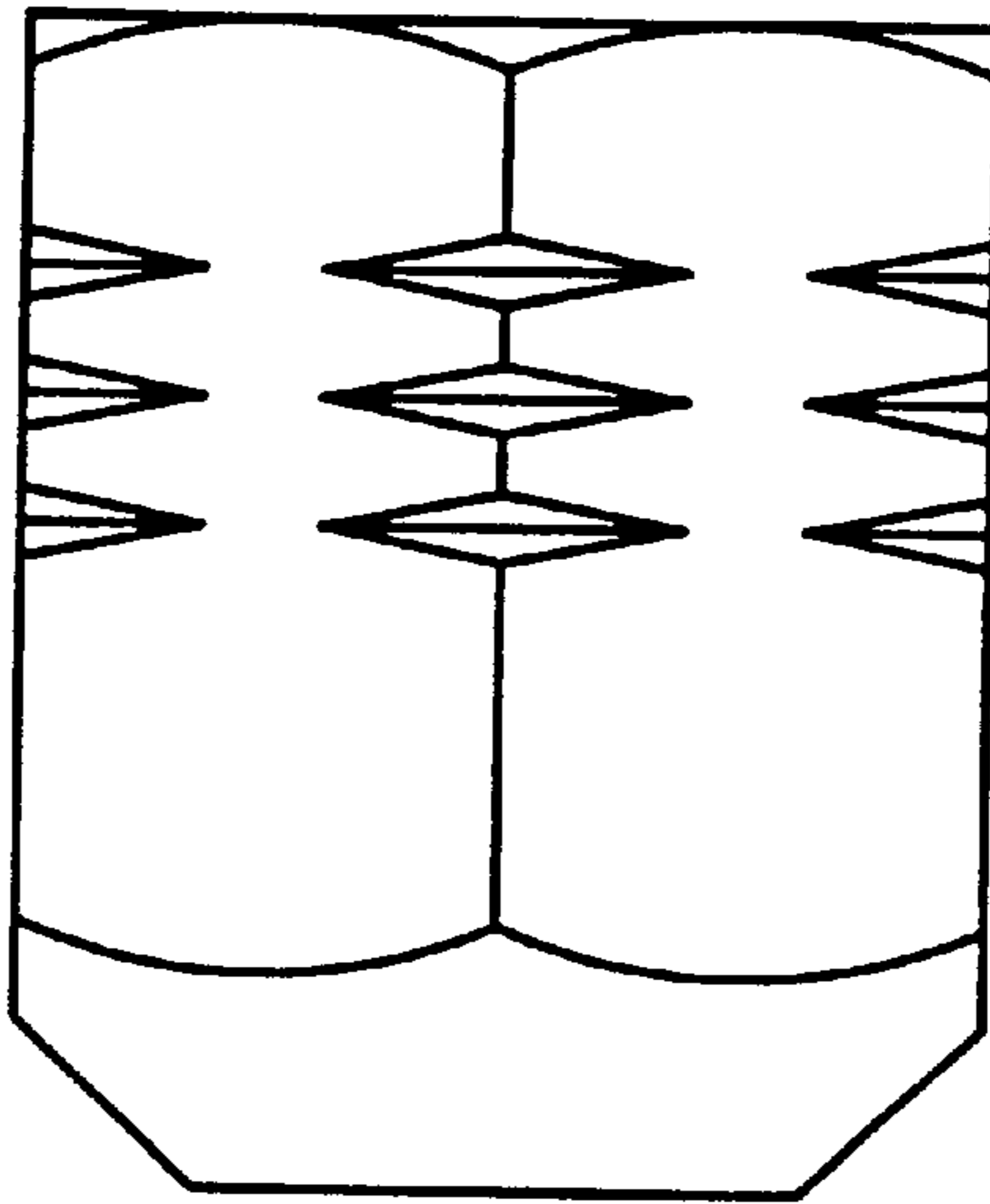


FIG. 3

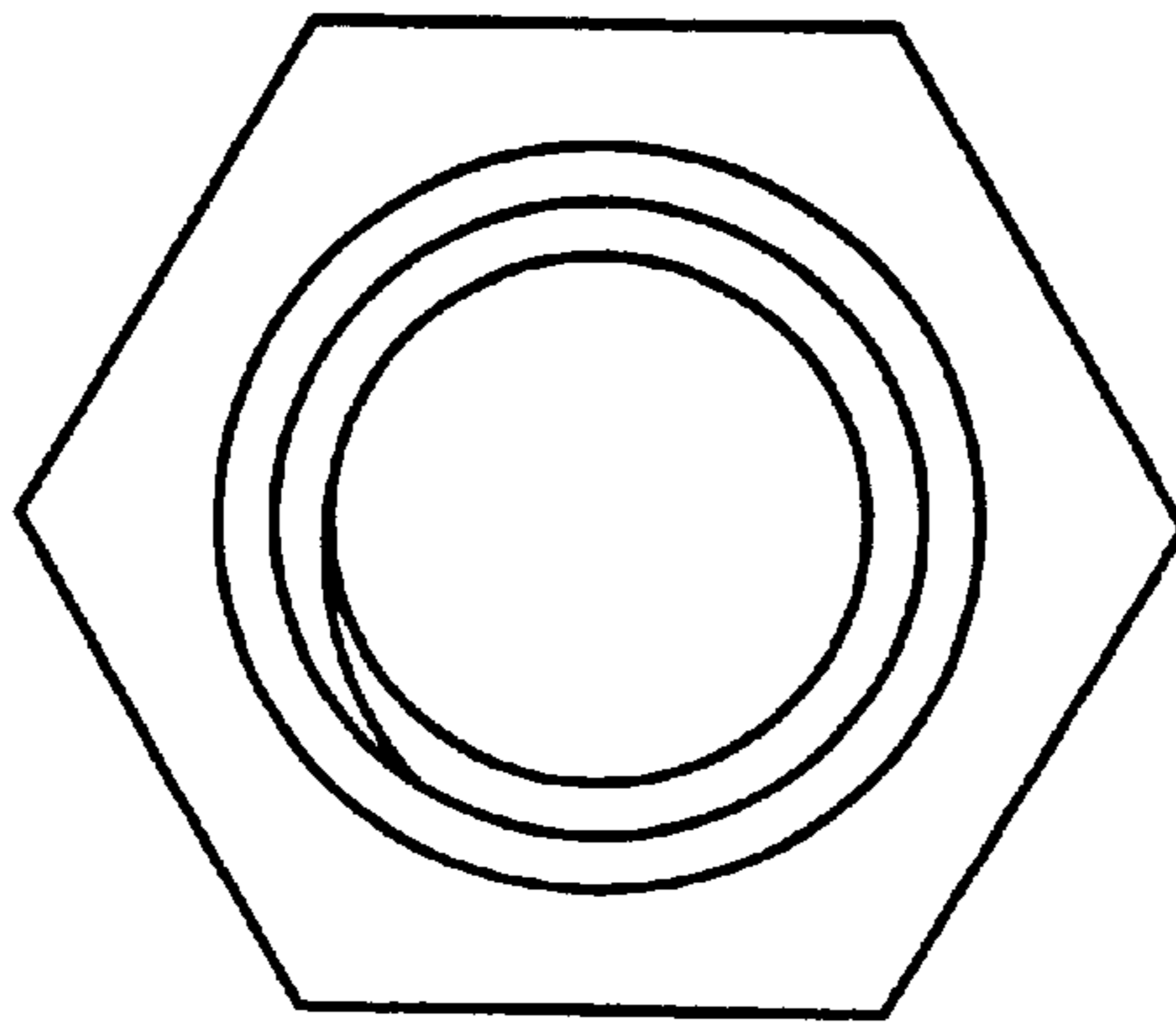


FIG. 4

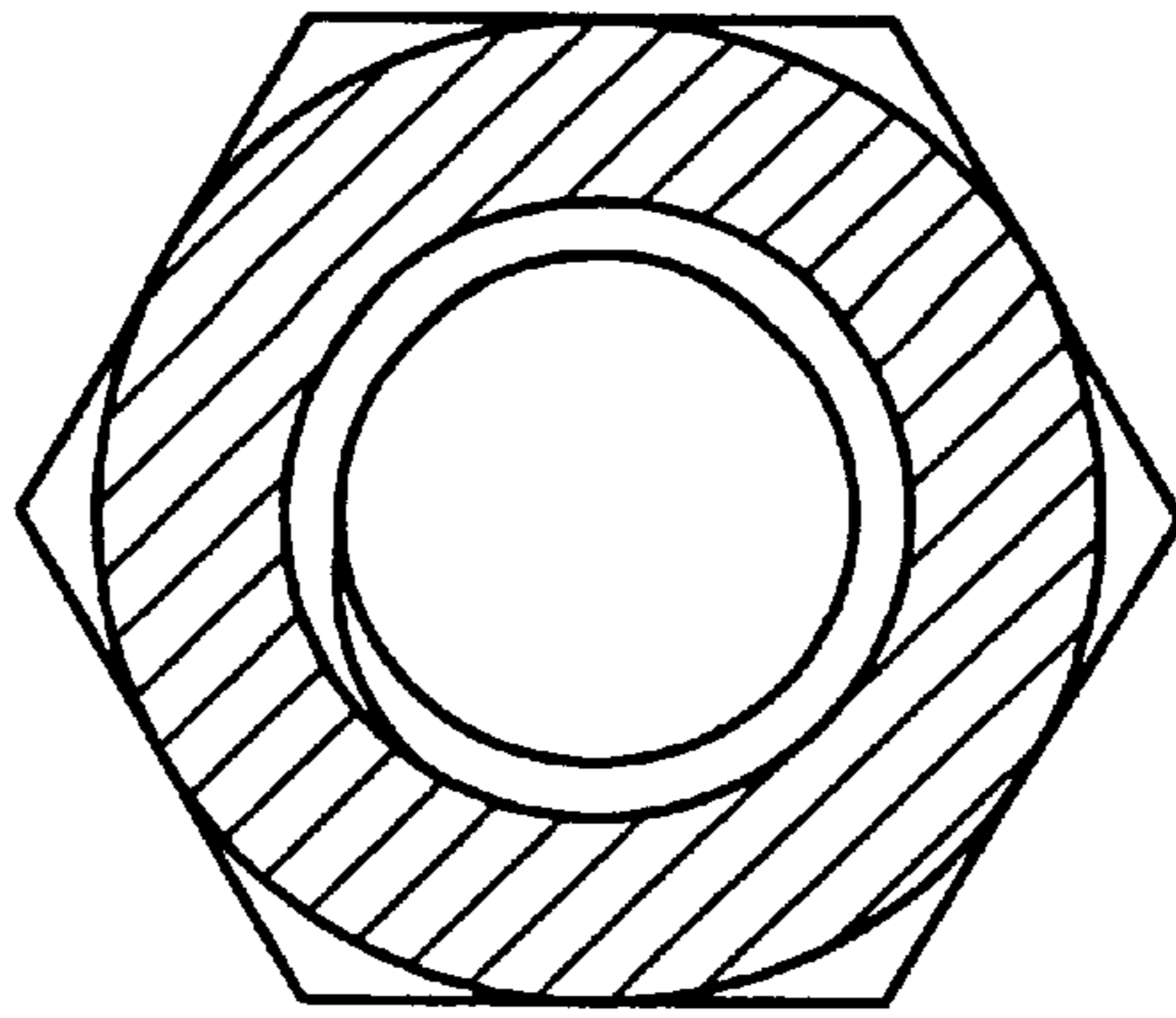


FIG. 5

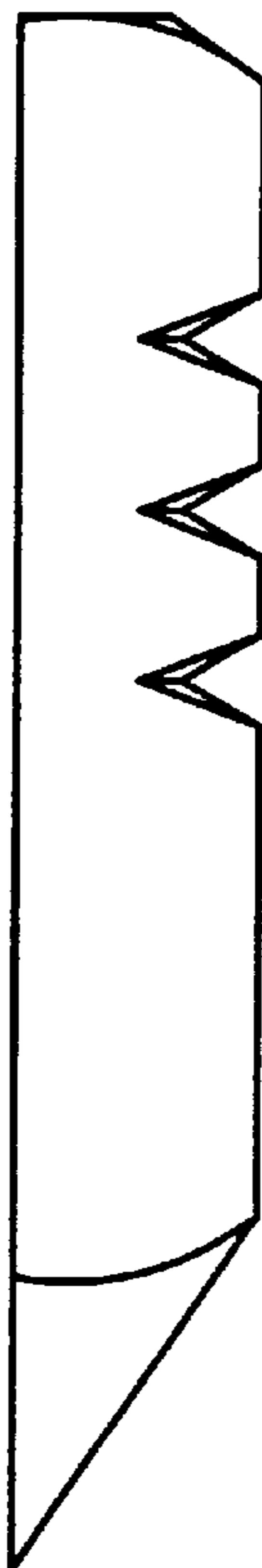


FIG. 6