



US00D424420S

# United States Patent [19] Kazale

[11] **Patent Number: Des. 424,420**

[45] **Date of Patent: \*\* May 9, 2000**

[54] **STORAGE HOLDER**

*Attorney, Agent, or Firm—Merchant & Gould P.C.*

[75] Inventor: **Thomas M. Kazale**, Lombard, Ill.

[57] **CLAIM**

[73] Assignee: **Convenience Concepts, Inc.**, Addison, Ill.

The ornamental design for a storage holder, as shown and described.

[\*\*] Term: **14 Years**

### DESCRIPTION

[21] Appl. No.: **29/090,180**

FIG. 1 is a side view of the storage holder according to the present invention, shown in the extended position and broken away for ease of illustration;

[22] Filed: **Jul. 1, 1998**

[51] **LOC (7) Cl.** ..... **08-08**

[52] **U.S. Cl.** ..... **D8/396; D8/363**

[58] **Field of Search** ..... D8/356, 383, 394,  
D8/396, 363; 248/60, 74.3, 73, 70; 24/16 PB,  
16 R

FIG. 2 is a front view of the storage holder shown in FIG. 1;

FIG. 3 is a rear view of the storage holder shown in FIG. 1;

FIG. 4 is a top end view of the storage holder shown in FIG. 1;

[56] **References Cited**

#### U.S. PATENT DOCUMENTS

1,085,421	1/1914	Hiller .
2,279,866	4/1942	Ellinwood .
2,345,279	3/1944	Morehouse .
3,147,523	9/1964	Logan .
3,343,899	9/1967	Cousins et al. .
3,500,505	3/1970	Thompson .

FIG. 5 is a bottom end view of the storage holder shown in FIG. 1; and,

FIG. 6 is a reduced perspective view of the storage holder of FIG. 1 shown assembled and holding an article, such article being provided in phantom and not forming a part of the present invention.

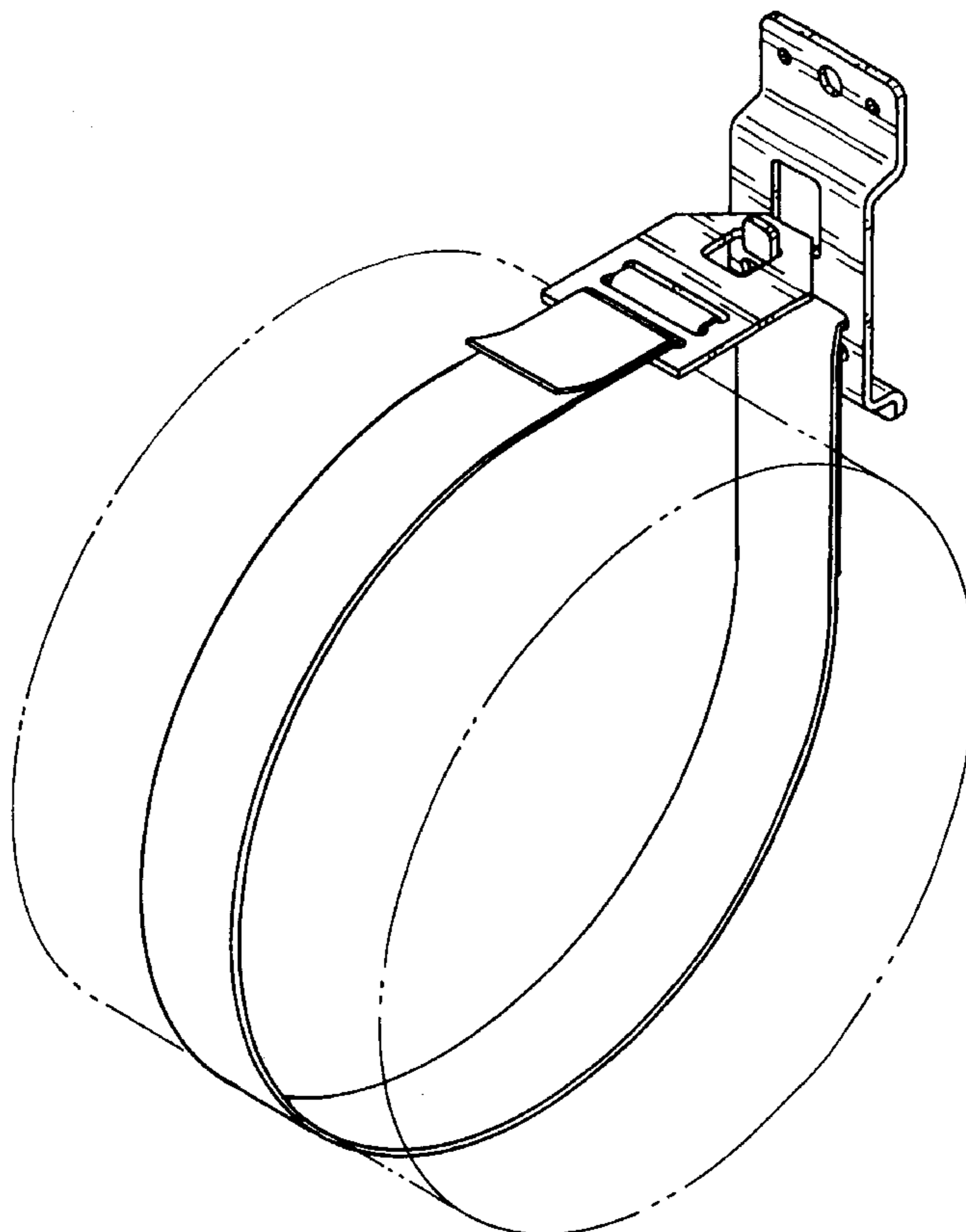
#### OTHER PUBLICATIONS

Keeper Corporation, "Product Capacities. What they Really Mean", 2 pages (1997).

The pattern which is partially shown in FIGS. 2 and 3 is understood to repeat uniformly across the entire strap.

*Primary Examiner—B. J. Bullock*

**1 Claim, 2 Drawing Sheets**



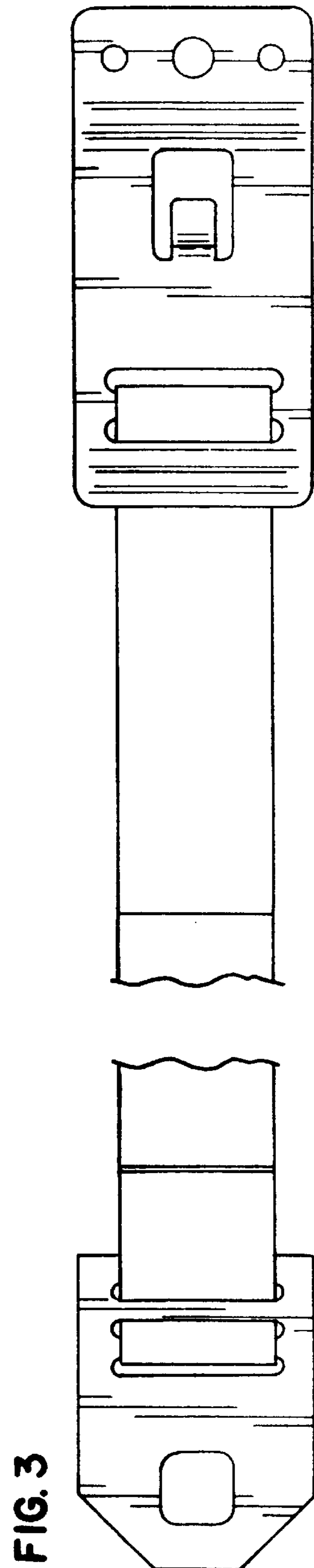
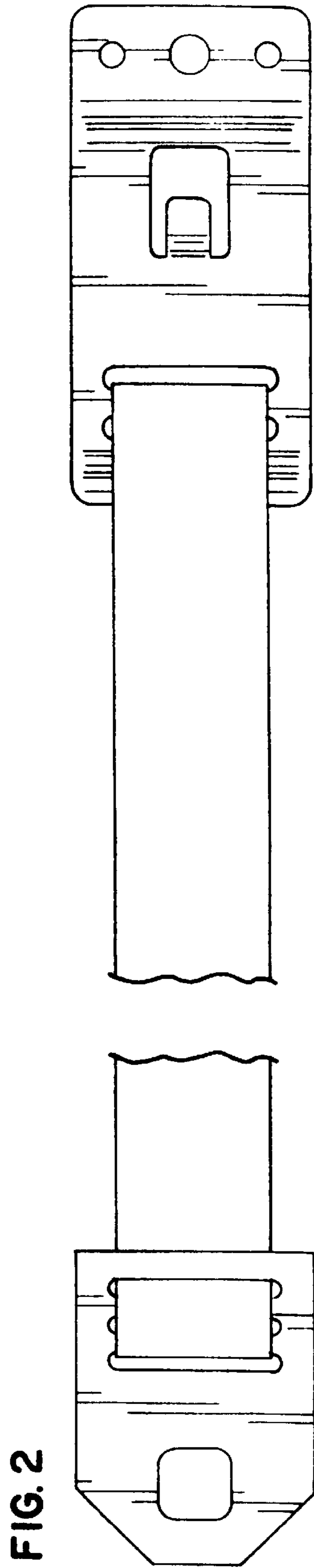
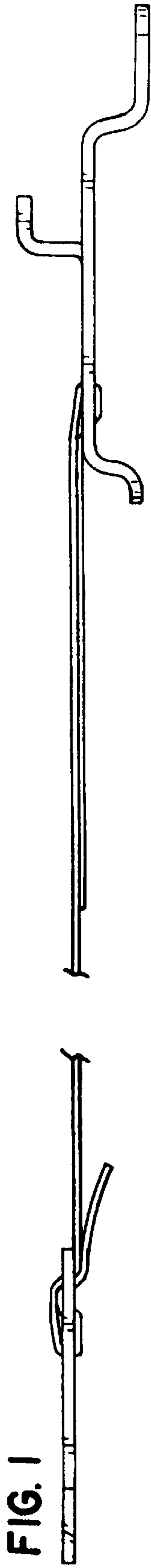


FIG. 6

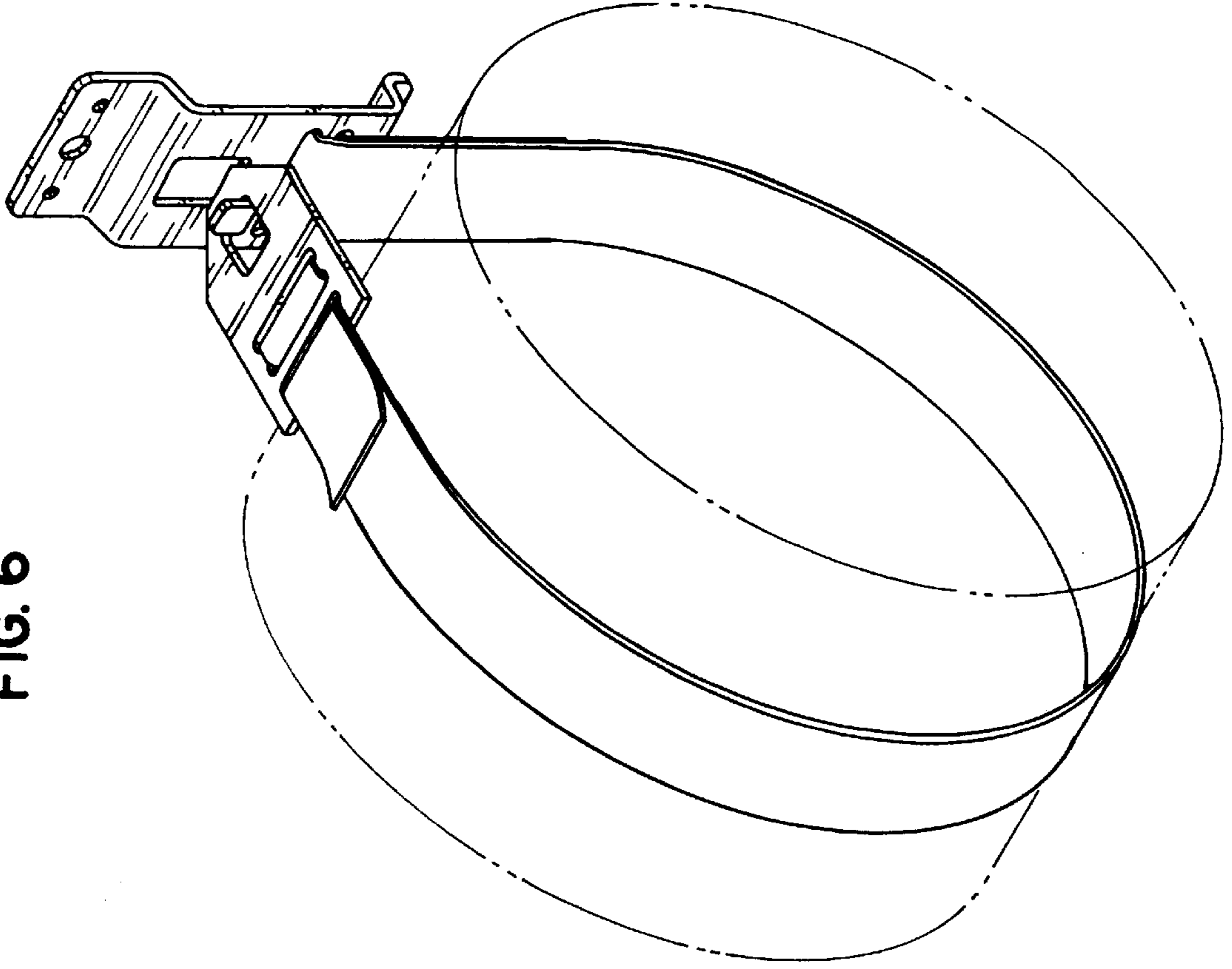


FIG. 4

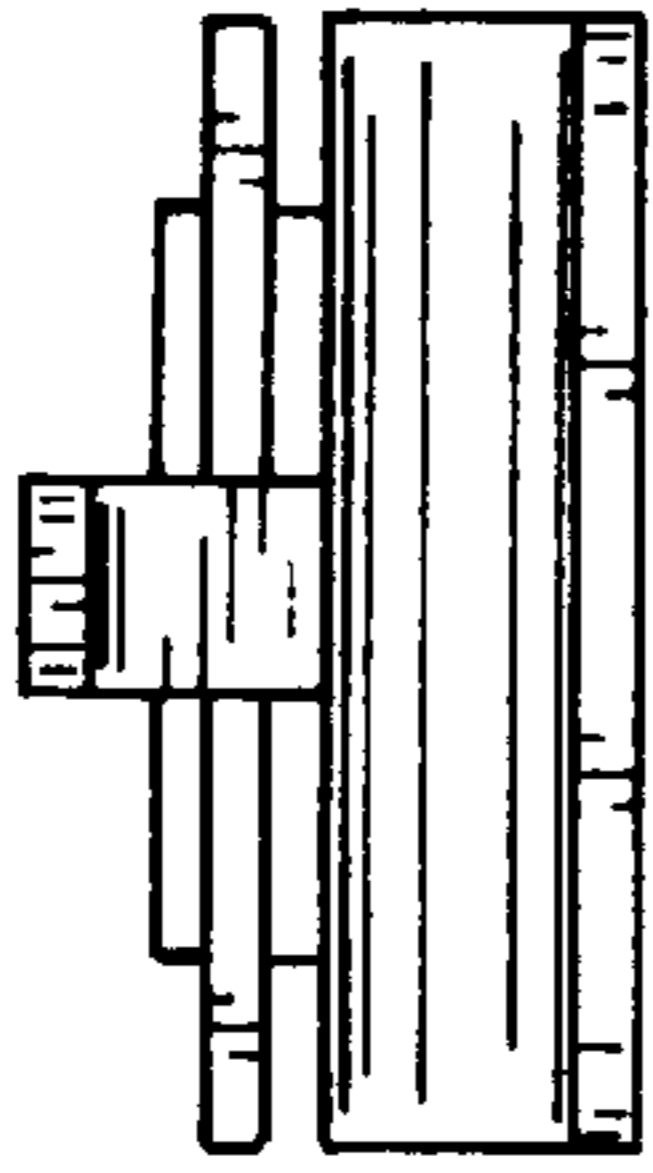
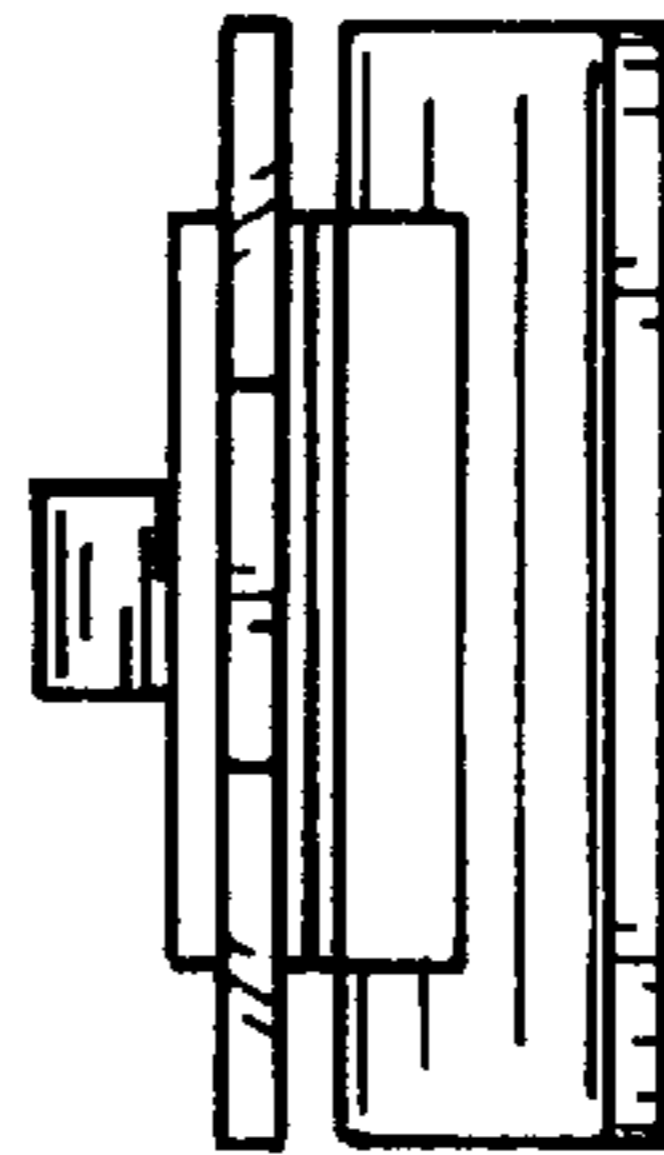


FIG. 5



UNITED STATES PATENT AND TRADEMARK OFFICE  
CERTIFICATE OF CORRECTION

PATENT NO. : DES. 424,420

DATED : MAY 9, 2000

INVENTOR(S) : KAZALE

It is certified that error appears in the above-identified patent and that said Letters Patent is hereby corrected as shown below:

Front Page, Description, delete last paragraph which reads: "The pattern which is partially shown in FIGS. 2 and 3 is understood to repeat uniformly across the entire strap."

Signed and Sealed this  
Fifteenth Day of May, 2001



NICHOLAS P. GODICI

*Acting Director of the United States Patent and Trademark Office*

*Attest:*

*Attesting Officer*