



US00D424415S

United States Patent [19]

[11] **Patent Number: Des. 424,415**

Buttler

[45] **Date of Patent: ** May 9, 2000**

[54] **WEIGHT BEARING SHOWER CURTAIN ROD**

Attorney, Agent, or Firm—Warren F. B. Lindsley; Frank J. McGue

[76] Inventor: **Fred L. Buttler**, 10606 N. 45th Dr., Glendale, Ariz. 85304

[57] **CLAIM**

The ornamental design for a weight bearing shower curtain rod, as shown and described.

[**] Term: **14 Years**

DESCRIPTION

[21] Appl. No.: **29/105,983**

FIG. 1 is a front and top perspective view of a weight bearing shower curtain rod embodying the invention; FIG. 2 is an enlarged top view of FIG. 1; FIG. 3 is a left end view of FIG. 1; FIG. 4 is a front view of FIG. 1; FIG. 5 is a back view of FIG. 1; FIG. 6 is a right end view of FIG. 5; and, FIG. 7 is a bottom view of FIG. 5.

[22] Filed: **Jun. 8, 1999**

[51] **LOC (7) Cl.** **08-05**

[52] **U.S. Cl.** **D8/376**

[58] **Field of Search** D8/376; 160/330, 160/19, 38-39; 211/105.2; 248/260-261

The broken line showing of a partial curtain and structure is for illustrative purposes only and forms no part of the claimed design.

[56] **References Cited**

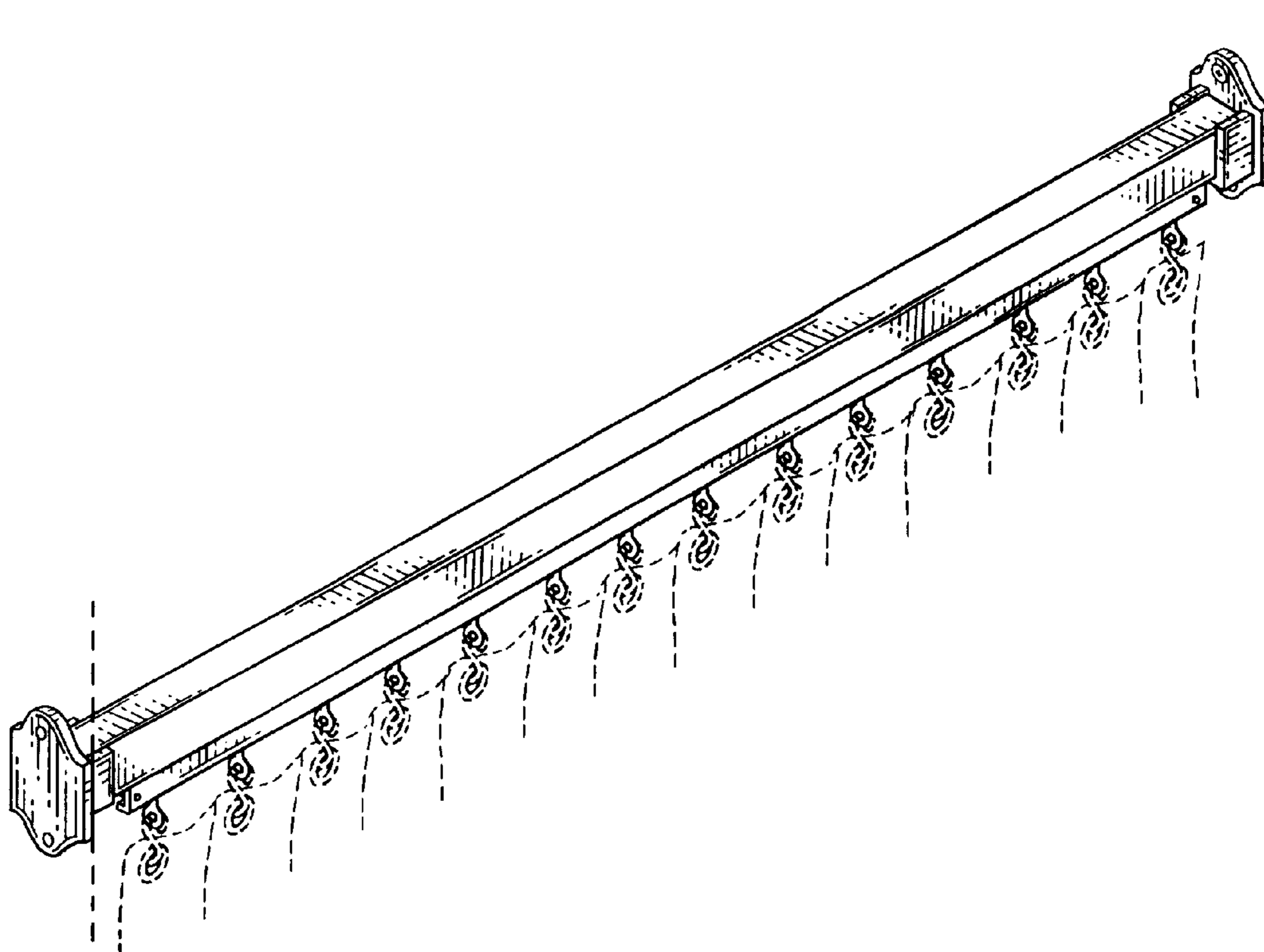
U.S. PATENT DOCUMENTS

- D. 317,399 6/1991 Varley et al. D8/376
- 4,213,492 7/1980 Guebert et al. 160/19 X

The claimed design is shown broken away in FIGS. 2-7 for ease of illustration.

Primary Examiner—Holly Baynham

1 Claim, 1 Drawing Sheet



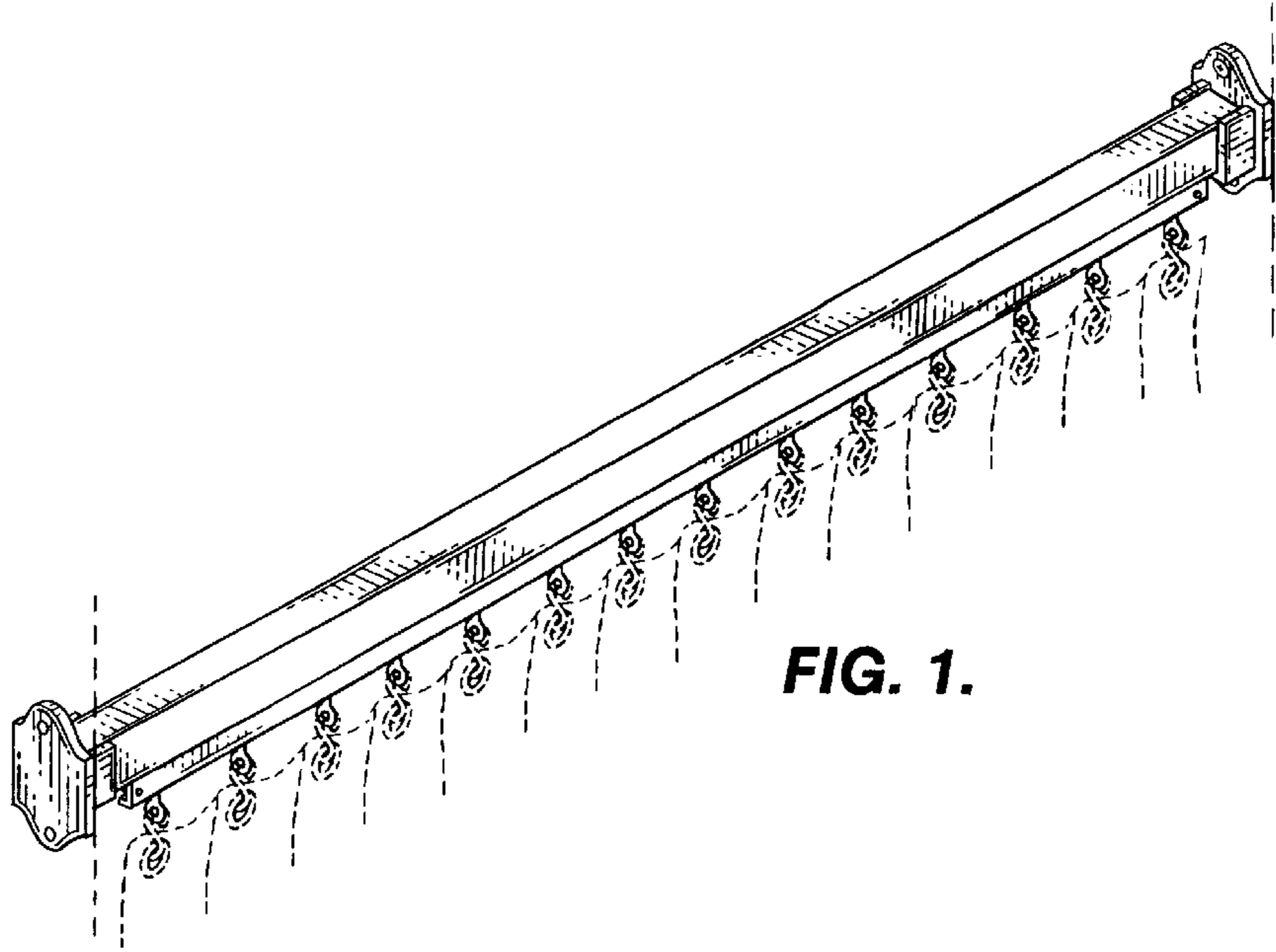


FIG. 1.

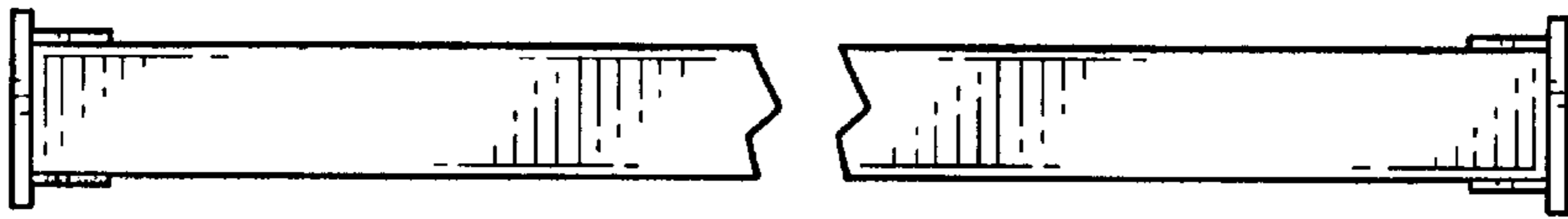


FIG. 2.

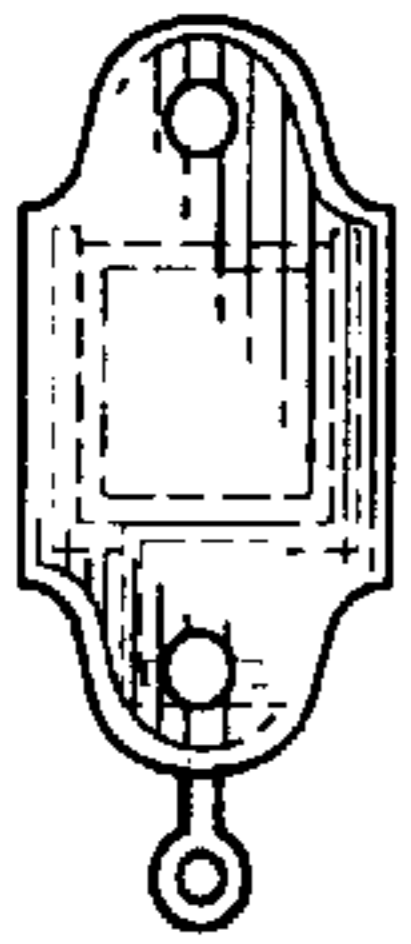


FIG. 3.

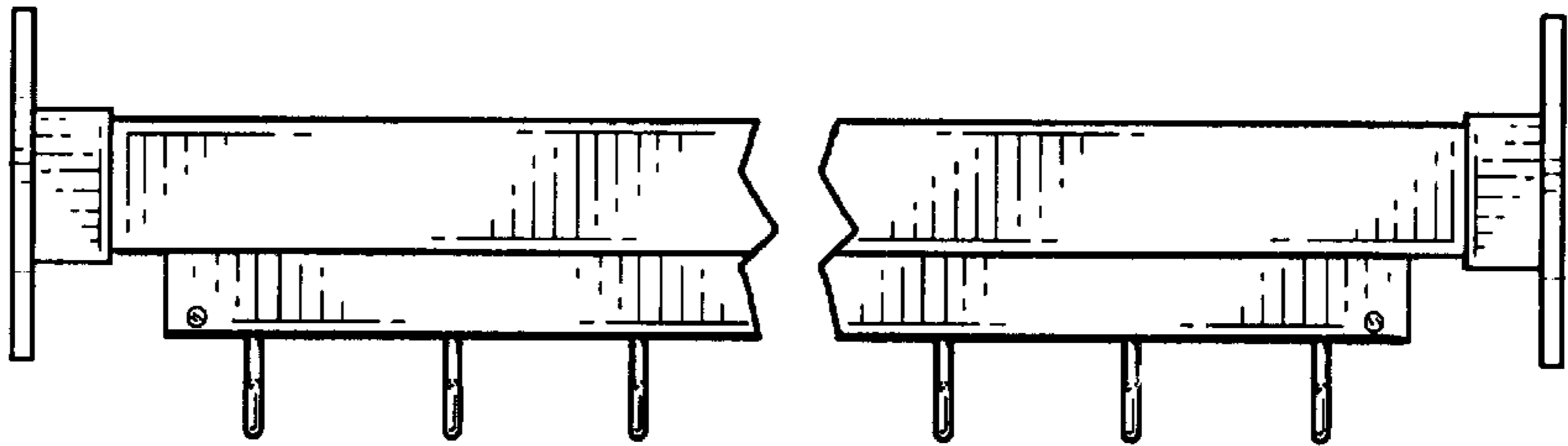


FIG. 4.

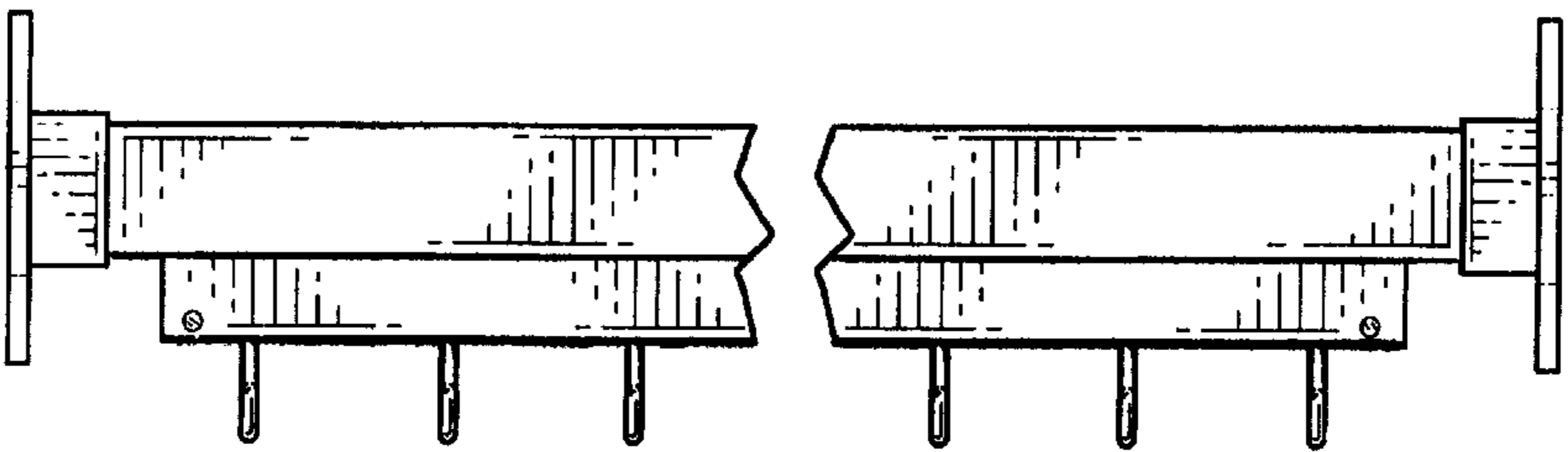


FIG. 5.

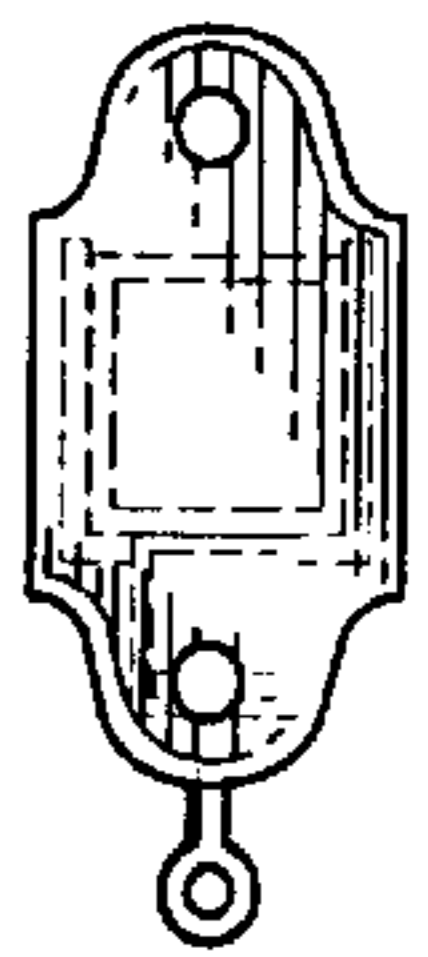


FIG. 6.

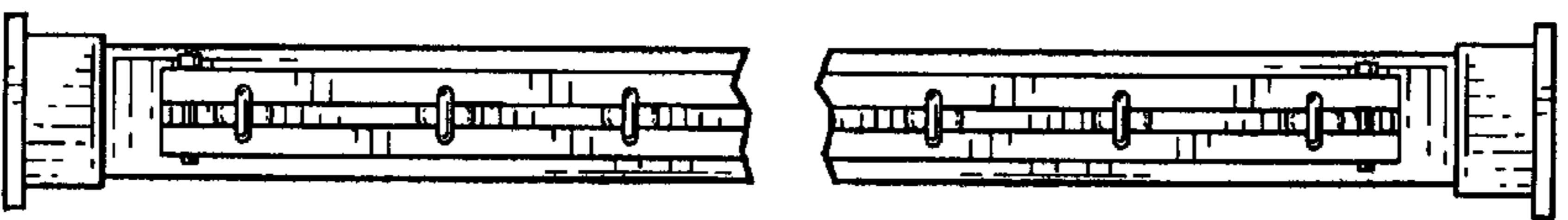


FIG. 7.