



US00D424414S

United States Patent [19]

[11] **Patent Number: Des. 424,414**

Ziaylek et al.

[45] **Date of Patent: ** May 9, 2000**

[54] **ADJUSTABLE MOUNTING BRACKET FOR A CYLINDRICAL MEMBER**

D. 237,357 10/1975 Ziaylek, Jr. D8/373
D. 314,325 2/1991 Ziaylek, Jr. et al. D8/373

[75] Inventors: **Michael P. Ziaylek**, 15 Cold Spring Ave.; **Theodore Ziaylek, Jr.**, 140 Riverview Dr., both of Yardley, Pa. 19067

Primary Examiner—Holly Baynham
Attorney, Agent, or Firm—Sperry, Zoda & Kane

[73] Assignees: **Michael P. Ziaylek; Theodore Ziaylek, Jr.; Theodore P. Ziaylek**, all of Yardley, Pa.

[57] **CLAIM**

The ornamental design for an adjustable mounting bracket for a cylindrical member, as shown.

[**] Term: **14 Years**

DESCRIPTION

[21] Appl. No.: **29/111,446**

FIG. 1 is a front three-quarter perspective view embodying our new design;

[22] Filed: **Sep. 28, 1999**

FIG. 2 is a top plan view;

[51] **LOC (7) Cl.** **08-05**

[52] **U.S. Cl.** **D8/373**

FIG. 3 is a front plan view;

[58] **Field of Search** D8/354, 373; 248/311.2, 248/59, 62, 65, 74.1; 211/89, 74, 75, 60.1

FIG. 4 is a side plan view; and,

FIG. 5 is a back plan view.

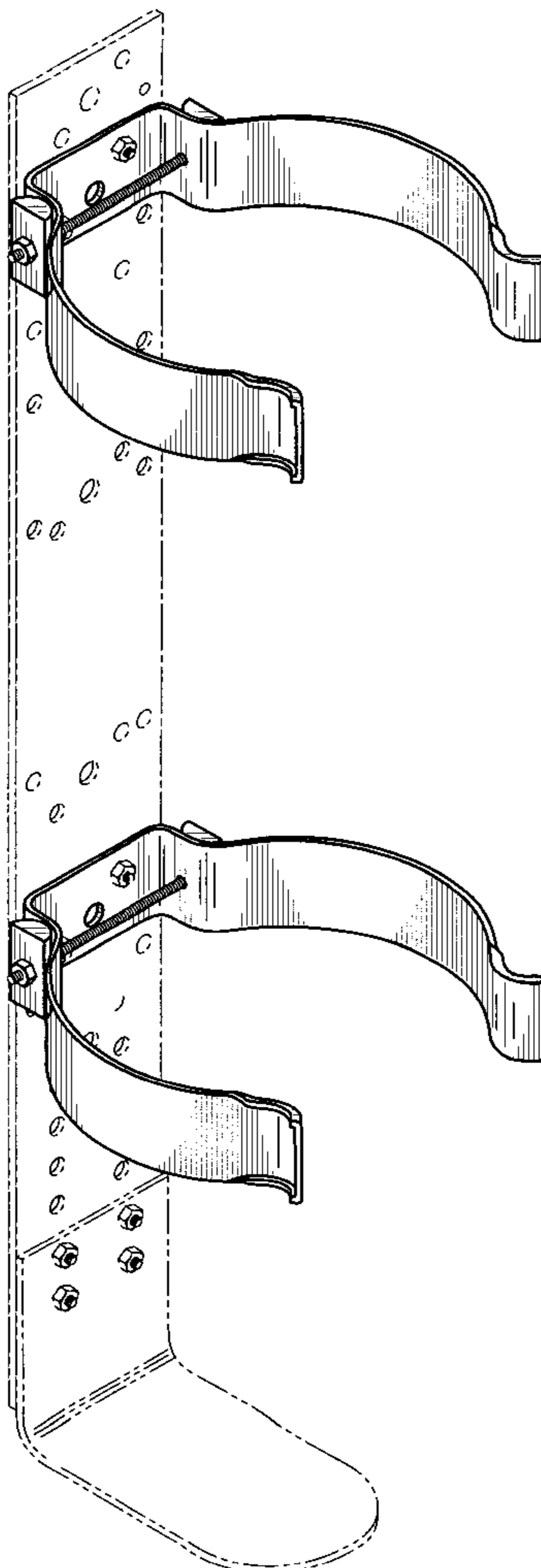
The broken line showing of a bracket is for illustrative purposes only and forms no part of the claimed design.

[56] **References Cited**

U.S. PATENT DOCUMENTS

D. 222,527 11/1971 Ziaylek, Jr. D8/373

1 Claim, 2 Drawing Sheets



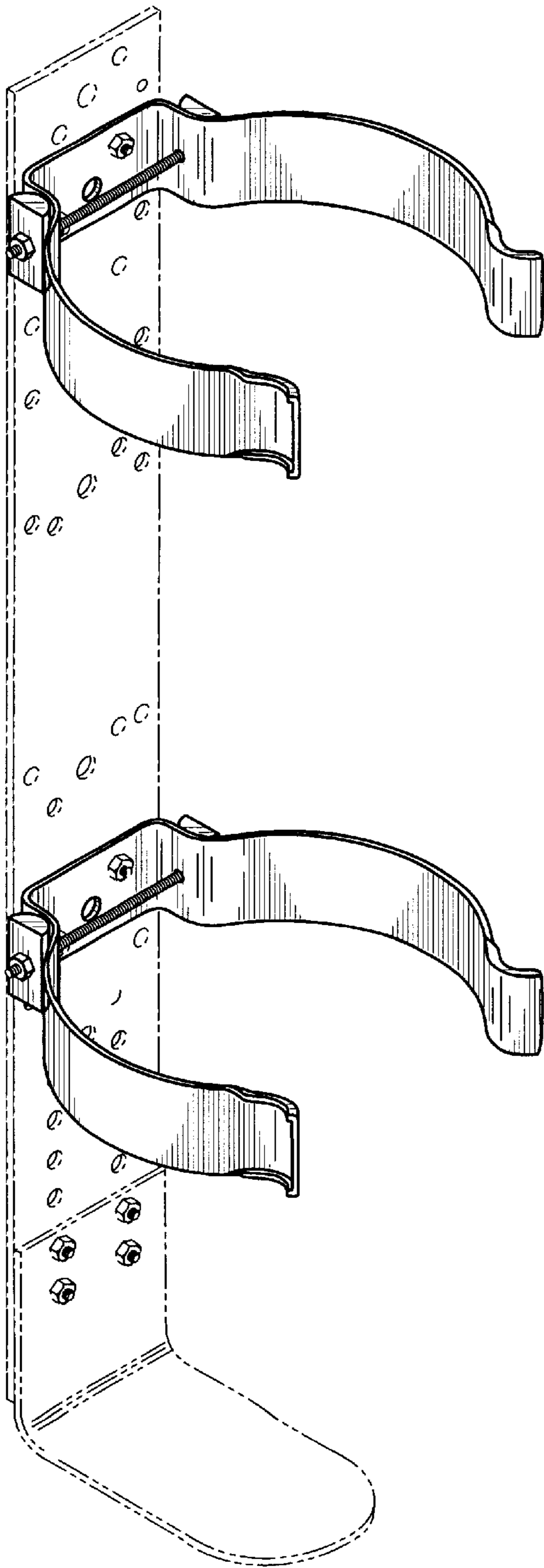


FIG. 1

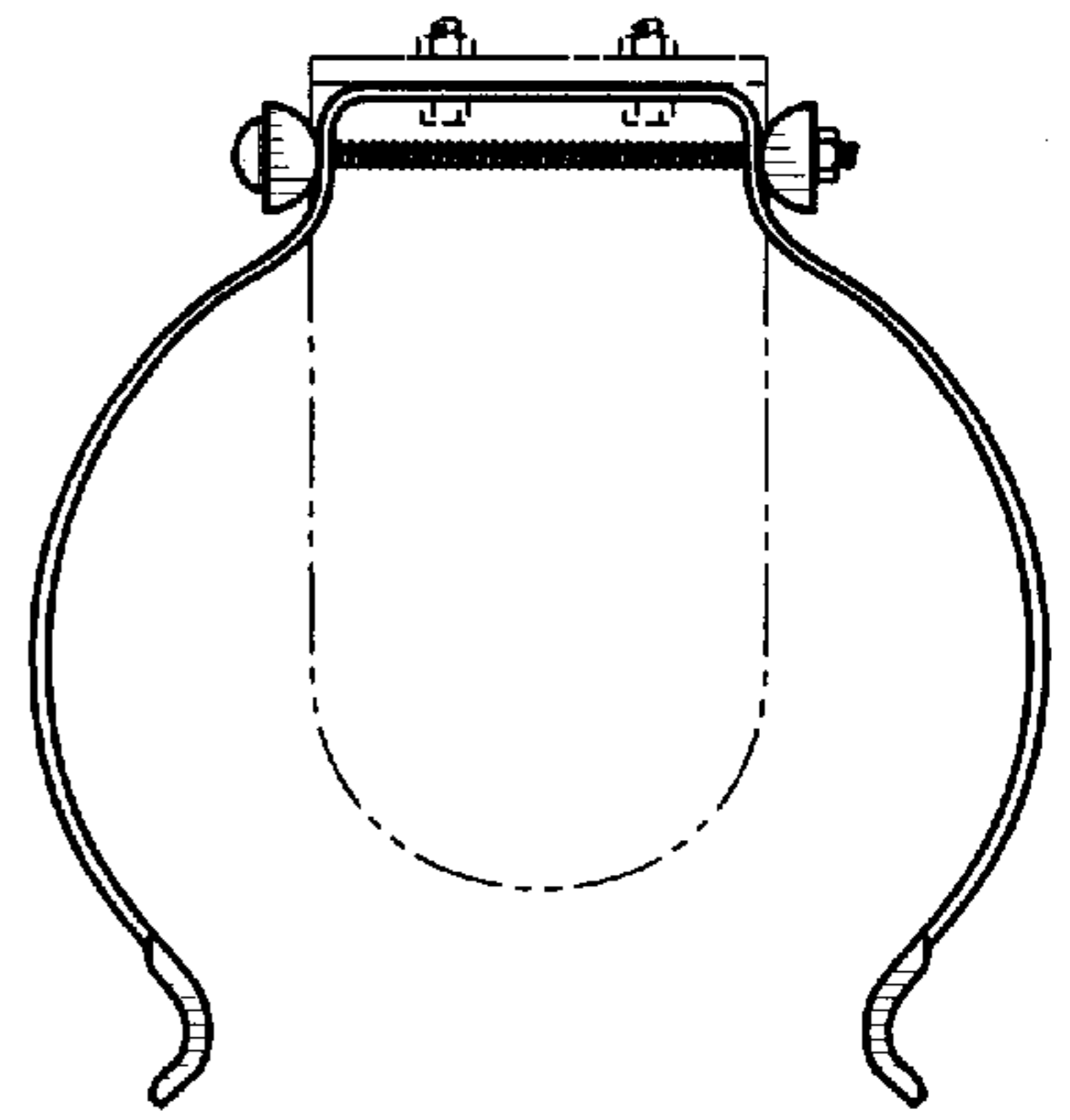


FIG. 2

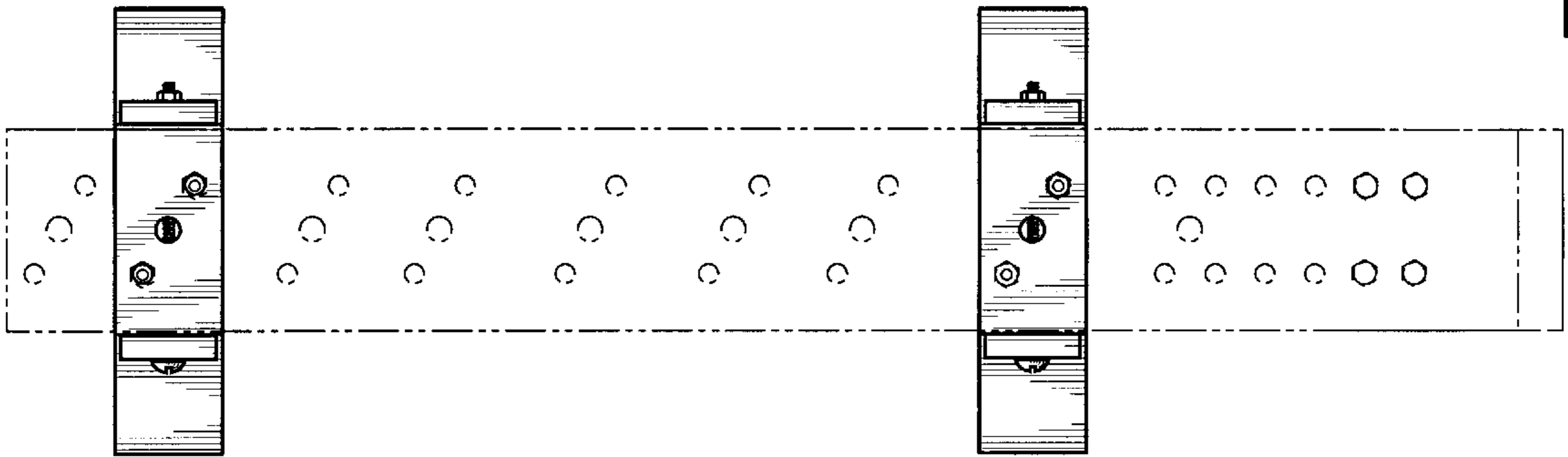


FIG. 5

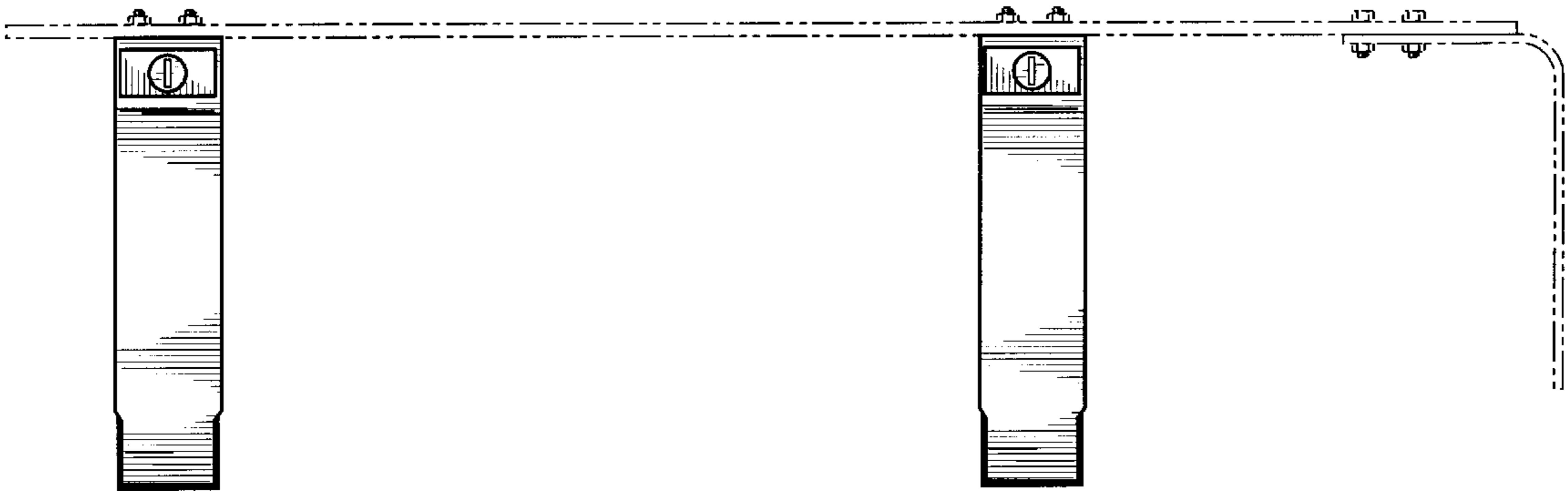


FIG. 4

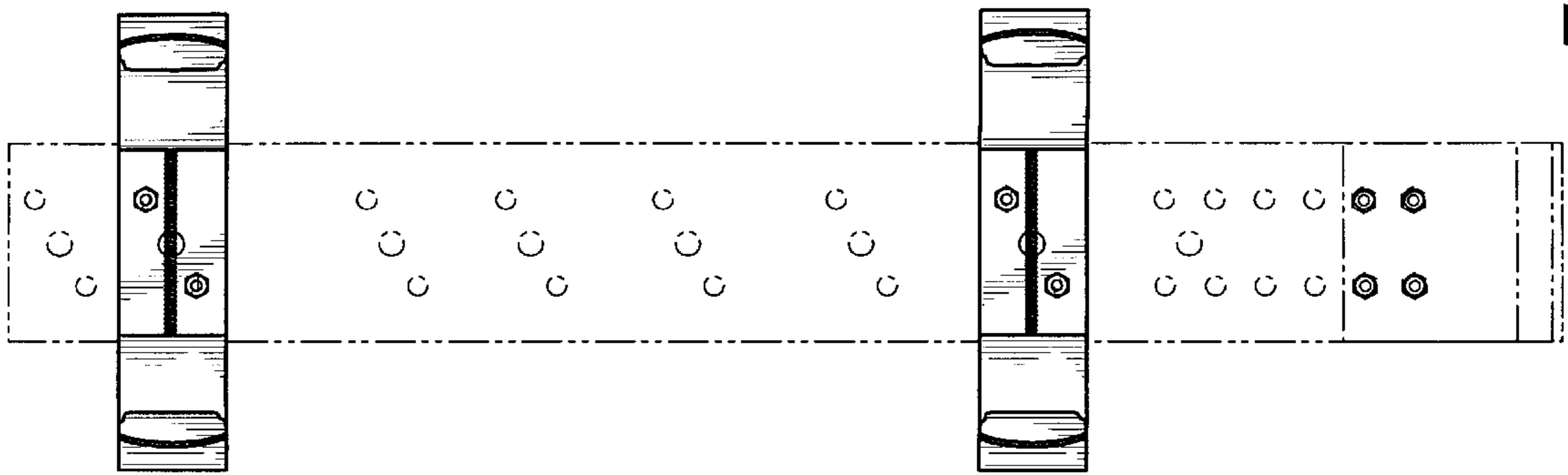


FIG. 3