



US00D424410S

United States Patent [19]

Lodi

[11] **Patent Number: Des. 424,410**

[45] **Date of Patent: ** May 9, 2000**

[54] **WIRE SADDLE WITH A KEYSLOT LOCKING BASE**

[75] Inventor: **Frank Lodi, Niles, Ill.**

[73] Assignee: **Richco Inc., Chicago, Ill.**

[**] Term: **14 Years**

[21] Appl. No.: **29/107,868**

[22] Filed: **Jul. 15, 1999**

[51] **LOC (7) Cl. 08-05**

[52] **U.S. Cl. D8/356**

[58] **Field of Search D8/356, 396; 174/153 G; 248/68.1, 74.4, 65, 56, 49**

[56] **References Cited**

U.S. PATENT DOCUMENTS

D. 399,414 10/1998 Viklund D8/356
5,950,968 7/1998 Sato 248/49

*Primary Examiner—Holly Baynham
Attorney, Agent, or Firm—Martin Faier; Faier & Faier P.C.*

[57] **CLAIM**

The ornamental design for an wire saddle with a keyslot locking base, as shown and described.

DESCRIPTION

FIG. 1 is a perspective view of a device embodying the invention.

FIG. 2 is a front elevational view of a device embodying the invention.

FIG. 3 is a rear elevational view of a device embodying the invention.

FIG. 4 is a top view of a device embodying the invention.

FIG. 5 is a bottom view of a device embodying the invention; and,

FIG. 6 is a side view of a device embodying the invention, both the left and right side being identical and mirror images of one another.

1 Claim, 1 Drawing Sheet

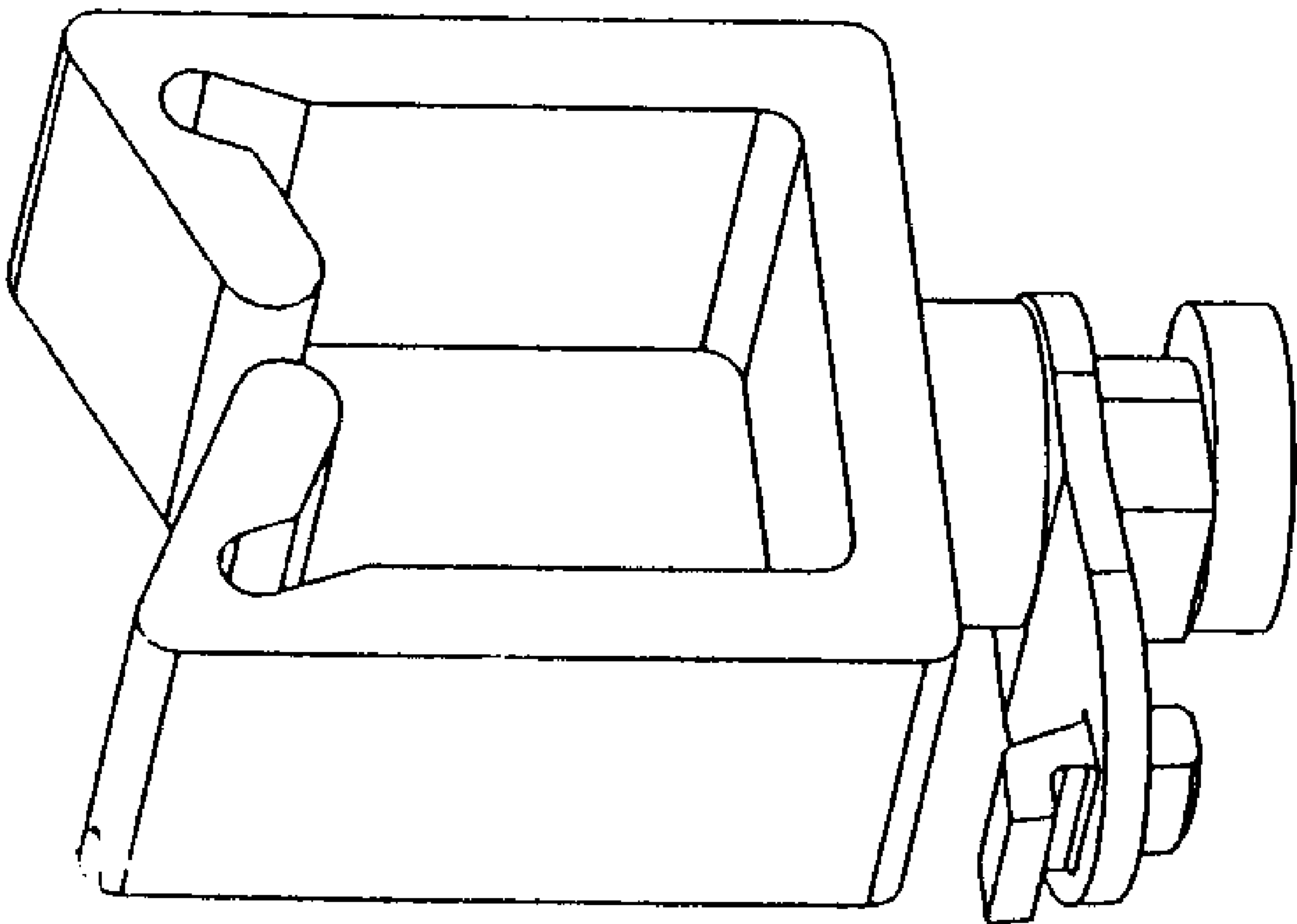


FIG. 1

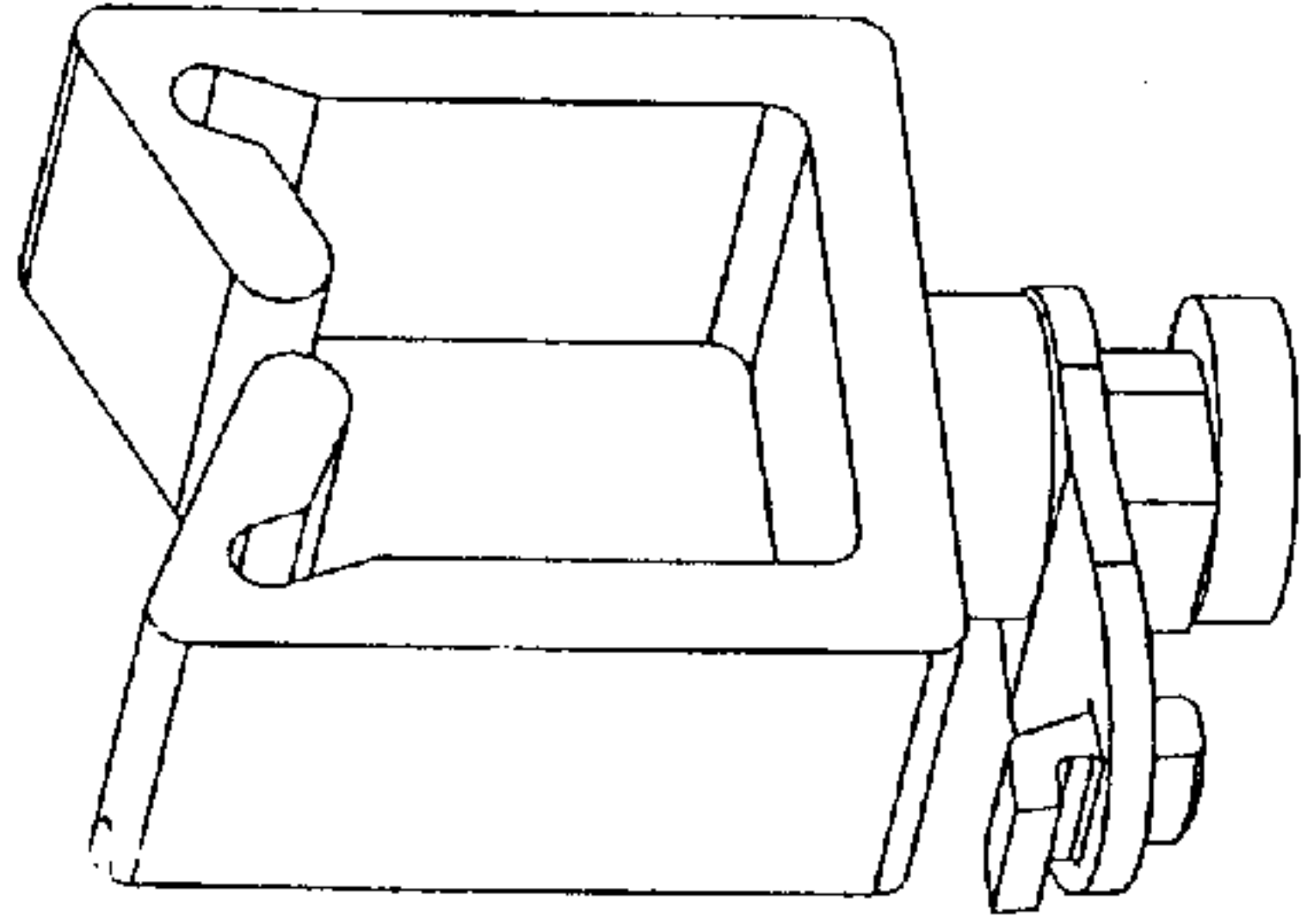


FIG. 3

FIG. 4

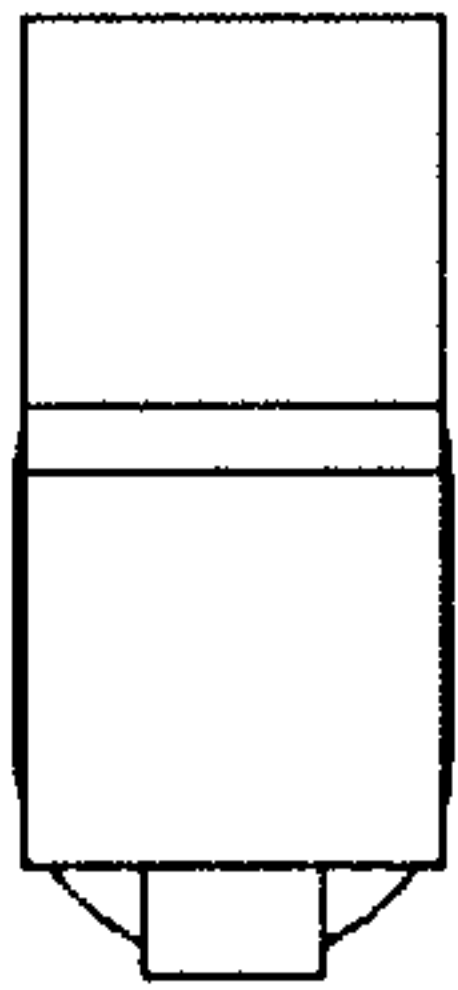


FIG. 6

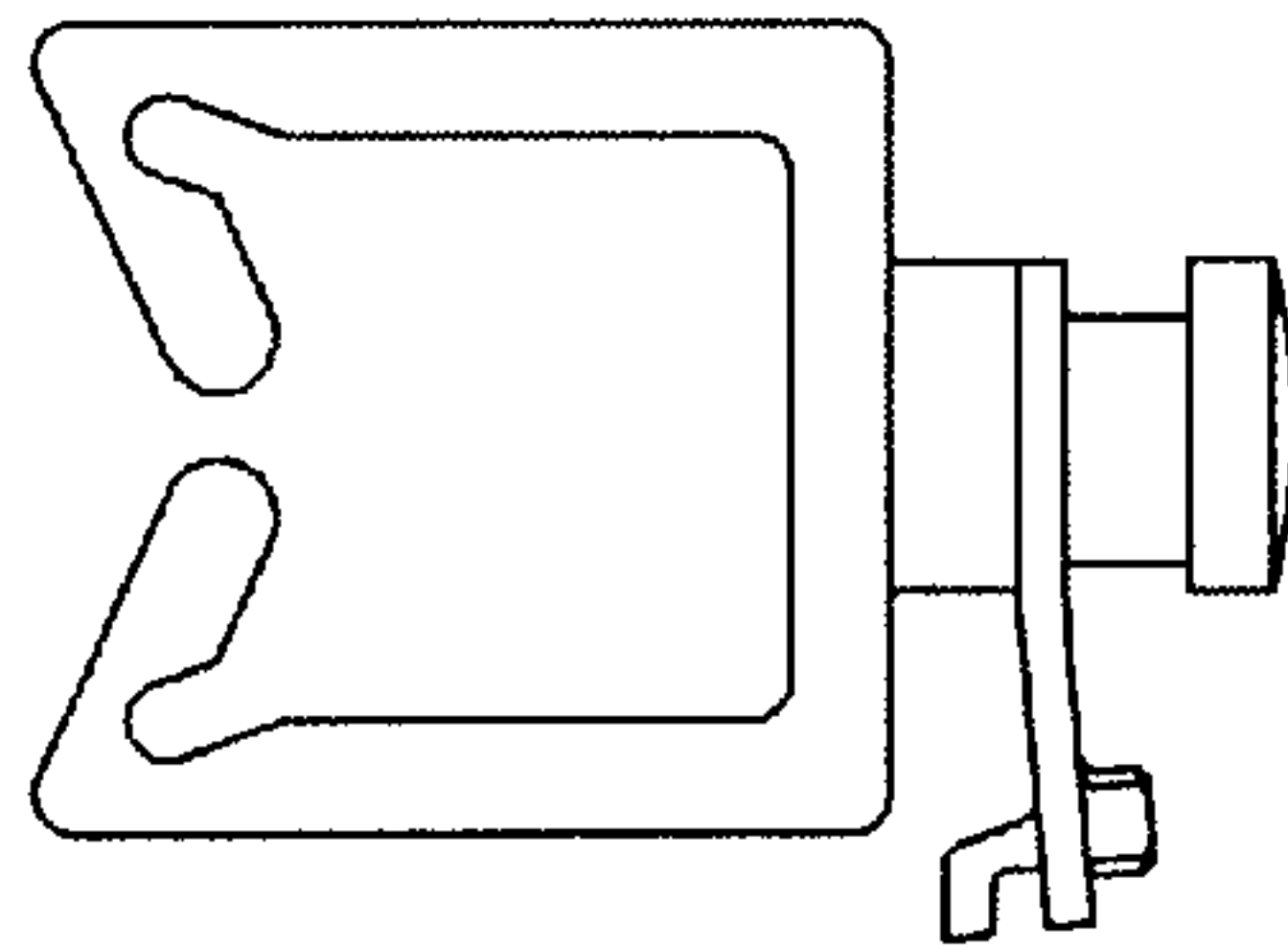


FIG. 5

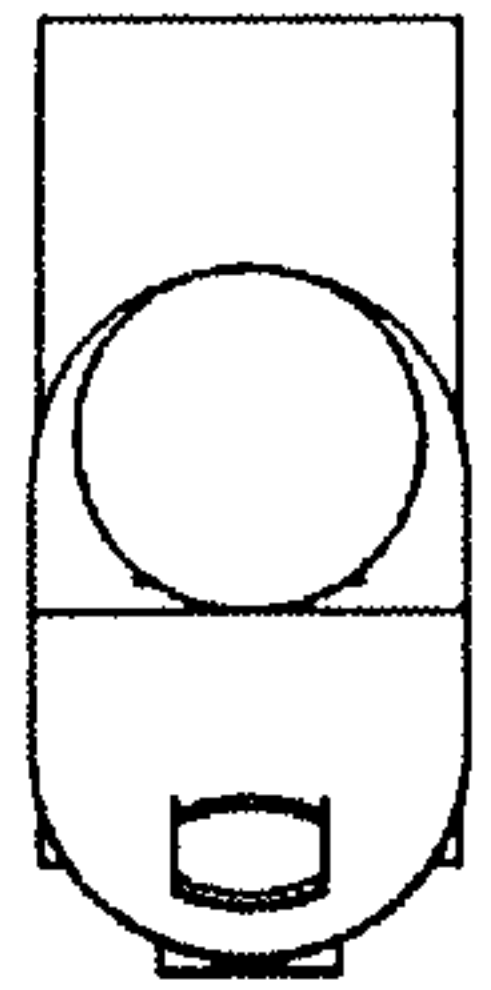


FIG. 2

