



US00D424407S

United States Patent [19]

[11] **Patent Number: Des. 424,407**

Wallace

[45] **Date of Patent: ** May 9, 2000**

[54] **ARM LOCKING MECHANISM FOR SIDE OUT AWNING**

[75] Inventor: **Caryl L. Wallace**, Arlington Heights, Ill.

[73] Assignee: **Zip Dee, Inc.**, Elk Grove Village, Ill.

[**] Term: **14 Years**

[21] Appl. No.: **29/091,193**

[22] Filed: **Jul. 24, 1998**

[51] **LOC (7) Cl.** **08-07**

[52] **U.S. Cl.** **D8/339**

[58] **Field of Search** D8/330, 331, 333, D8/339, 343, 349; 292/289, 300, 256; 70/57, 14, 19, 158, 210, 211, 207; 160/71, 80, 67

[56] **References Cited**

U.S. PATENT DOCUMENTS

D. 399,118	10/1998	Navarsky	D8/333
4,658,877	4/1987	Quinn	160/71 X
5,697,417	12/1997	Spoon	160/71
5,752,536	5/1998	Becker	160/67 X
5,909,761	6/1999	Murray	160/71

Primary Examiner—Susan J. Lucas
Assistant Examiner—Jennifer Rivard
Attorney, Agent, or Firm—Emrich & Dithmar

[57] **CLAIM**

The ornamental design for the arm locking mechanism for side out awning, as shown and described.

DESCRIPTION

FIG. 1 is a fragmentary view of the arm locking mechanism for side out awning showing the environment in which the invention is used;

FIG. 2 is a perspective view of the arm locking mechanism for side out awning illustrated in FIG. 2;

FIG. 3 is a front view of the arm locking mechanism for side out awning illustrated in FIG. 2;

FIG. 4 is a side view of the arm locking mechanism for side out awning illustrated in FIG. 2;

FIG. 5 is a rear view of the arm locking mechanism for side out awning illustrated in FIG. 2;

FIG. 6 is an opposite side view of the arm locking mechanism for side out awning illustrated in FIG. 4;

FIG. 7 is a top view of the arm locking mechanism for side out awning illustrated in FIG. 2; and,

FIG. 8 is a bottom view of the arm locking mechanism for side out awning illustrated in FIG. 2.

The broken lines are shown for illustrative purposes only and form no part of the claimed design.

1 Claim, 2 Drawing Sheets

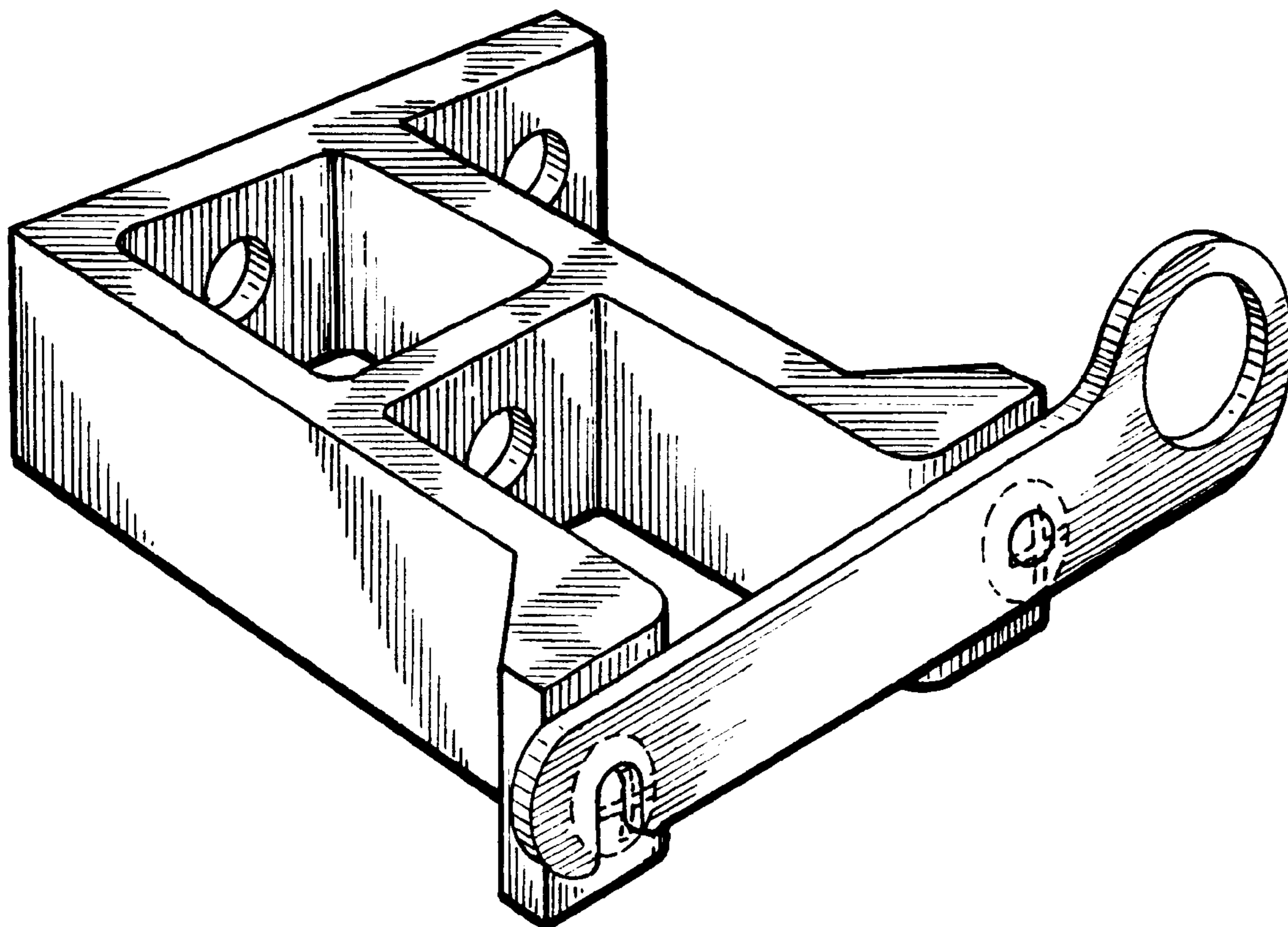


FIG.1

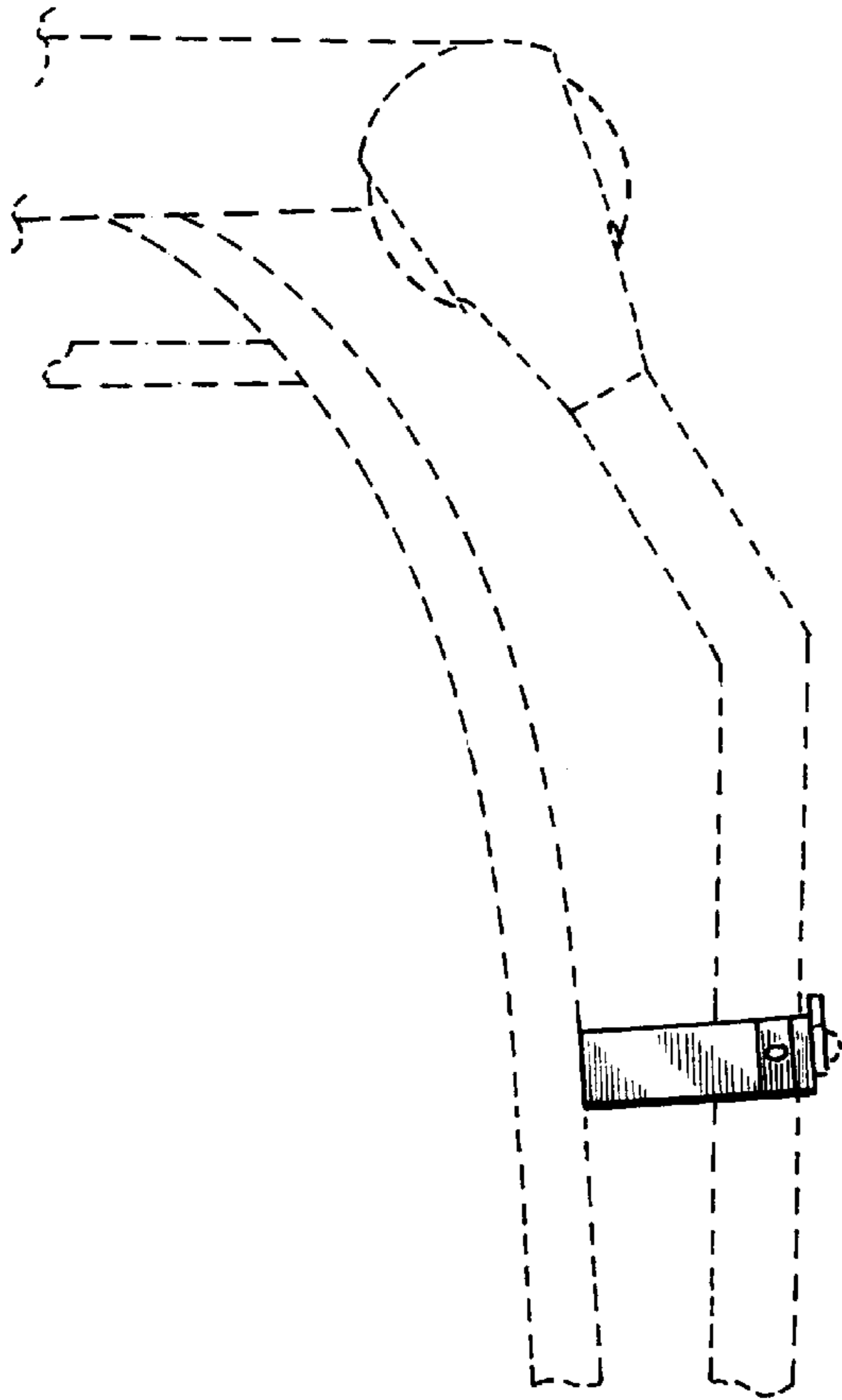


FIG.3

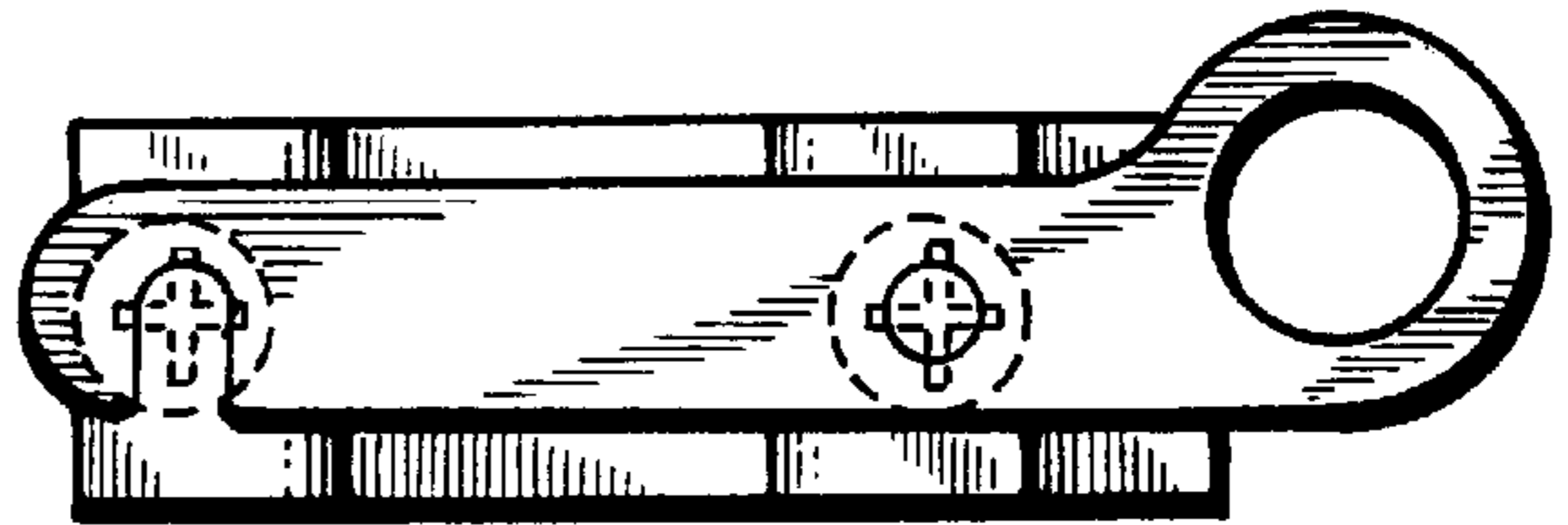


FIG.4

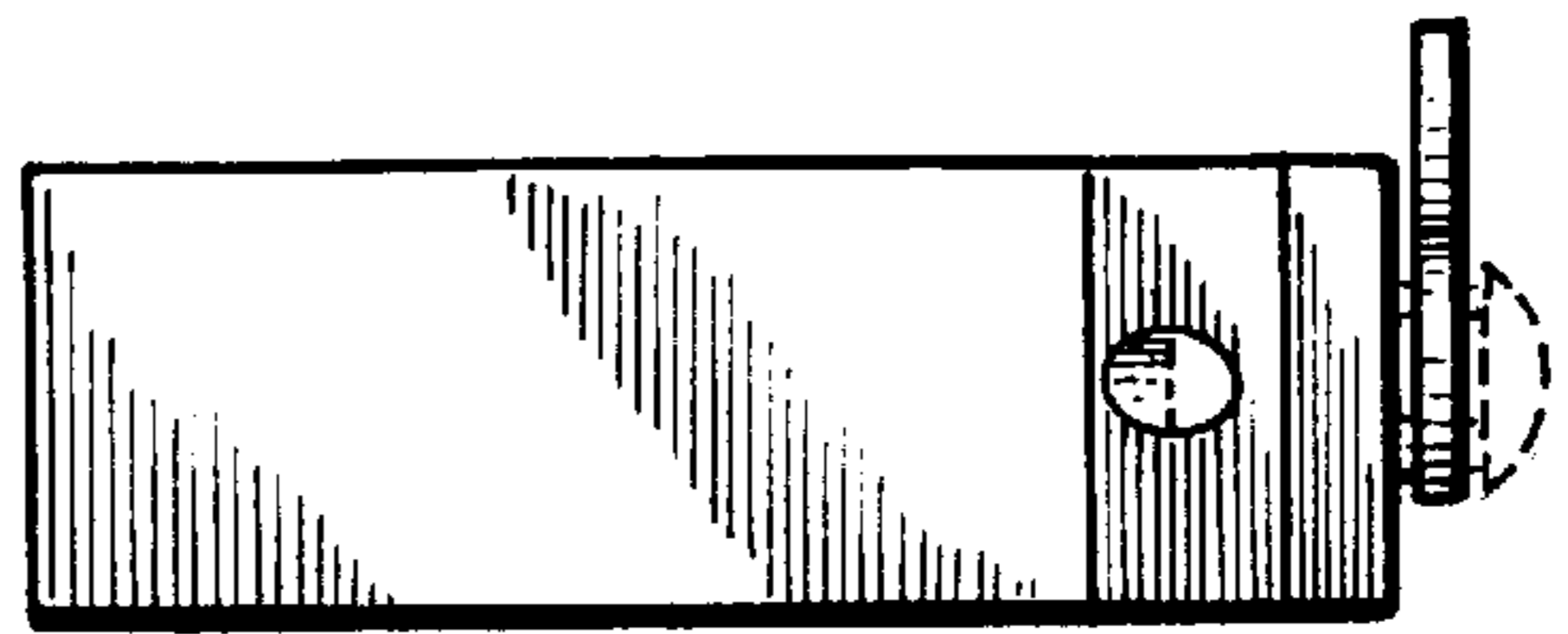


FIG.2

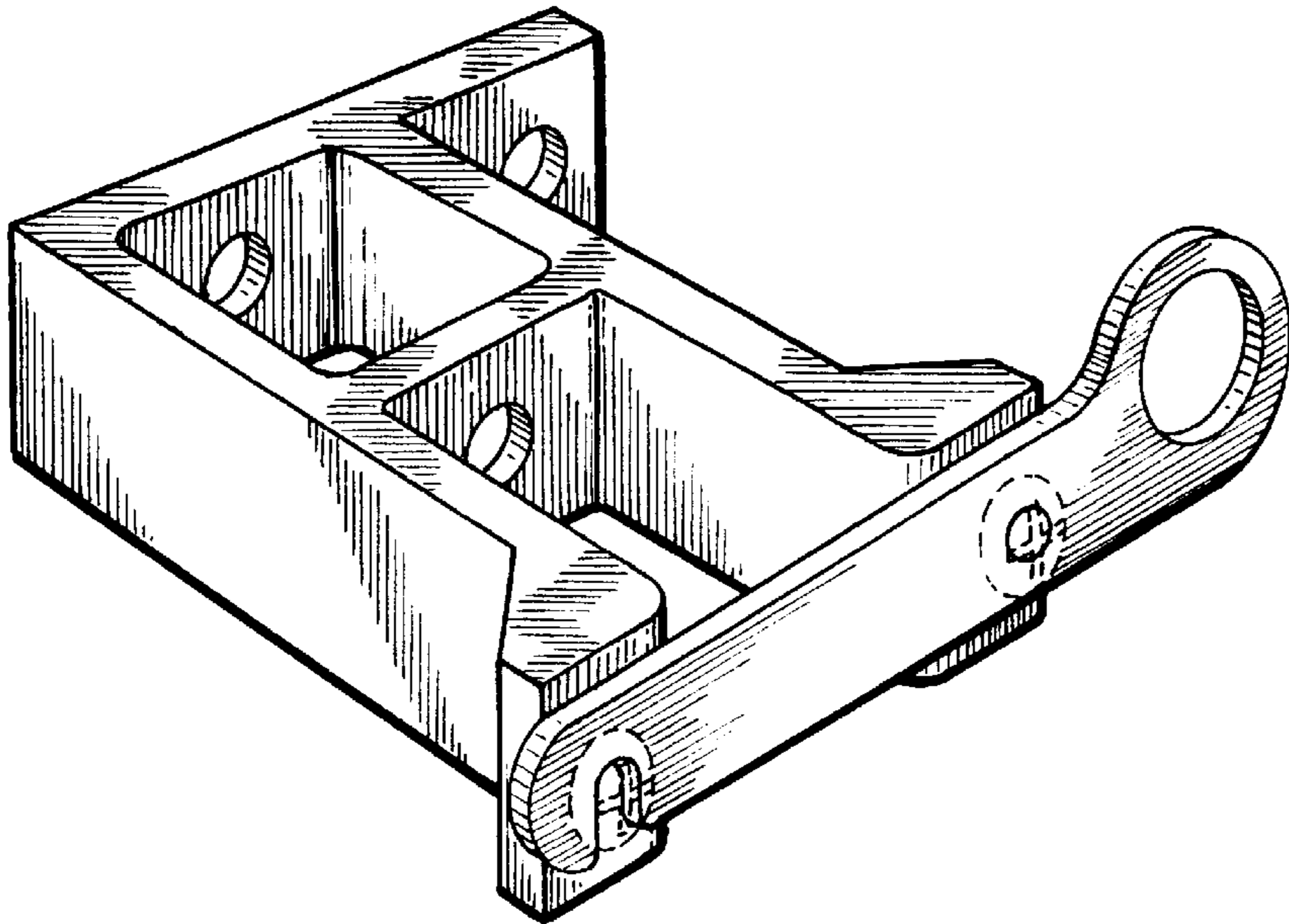


FIG. 5

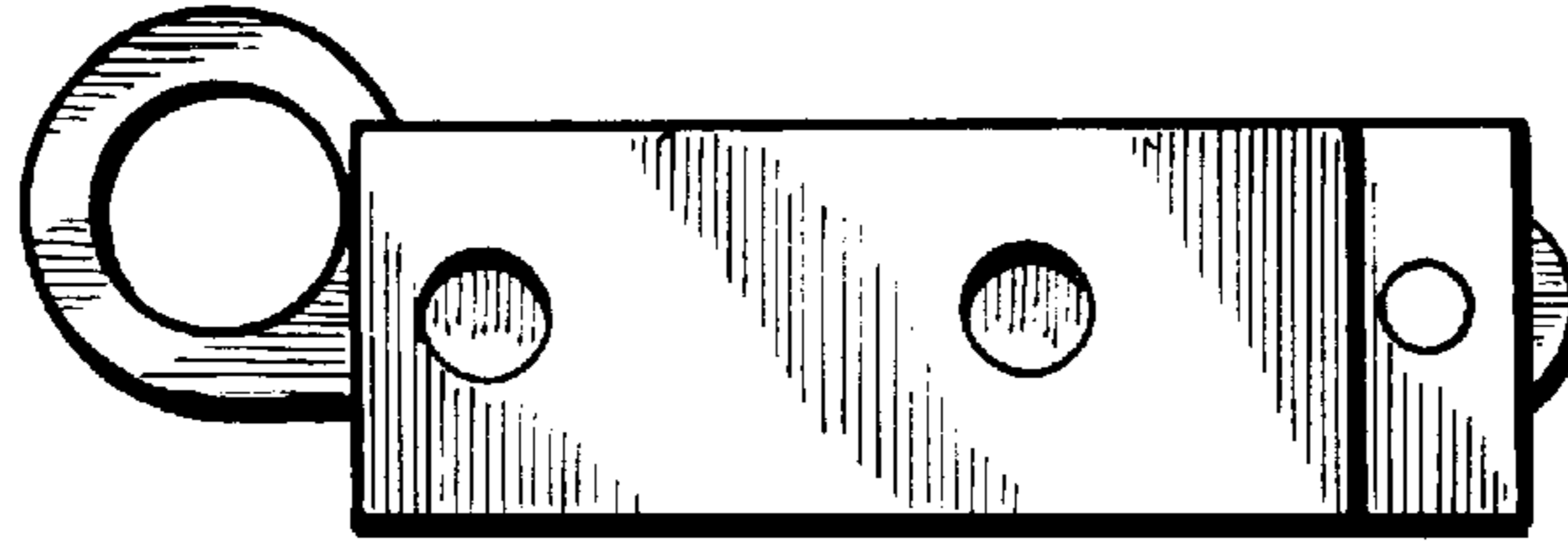


FIG. 6

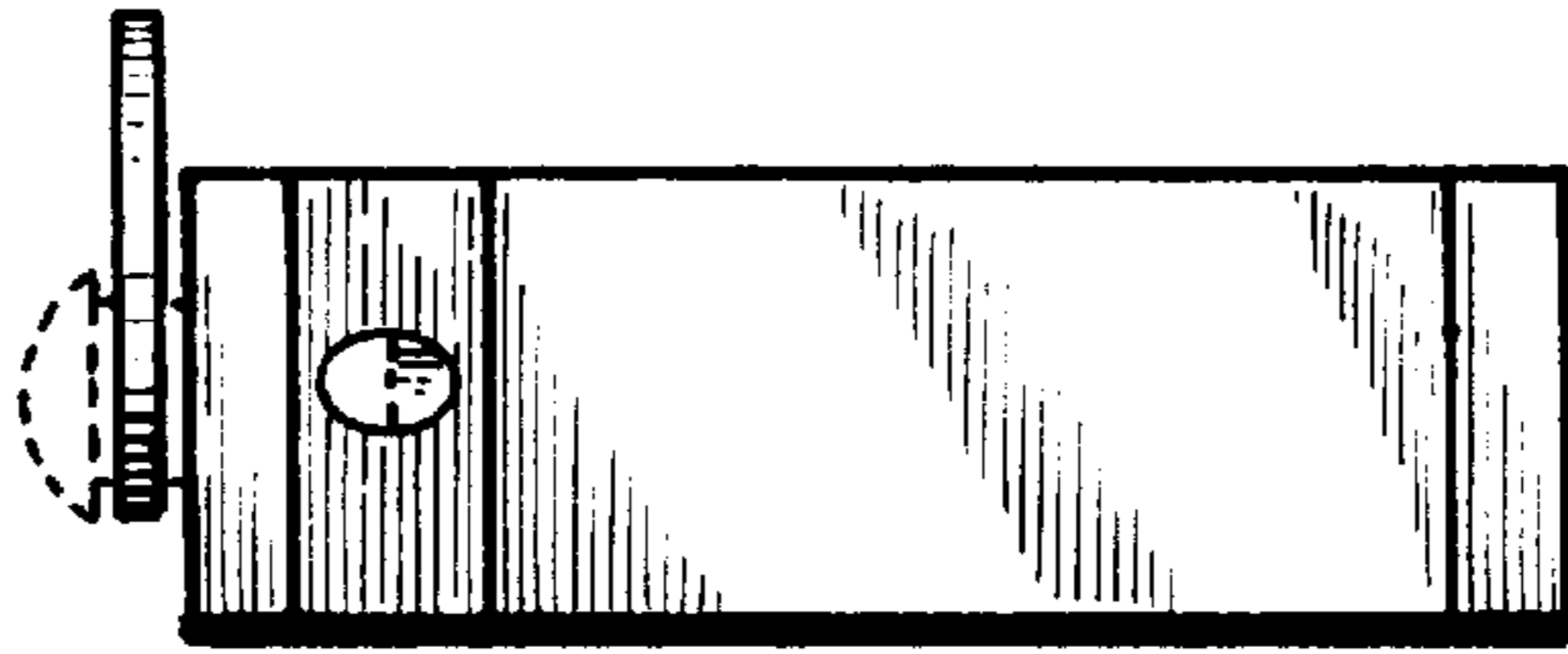


FIG. 7

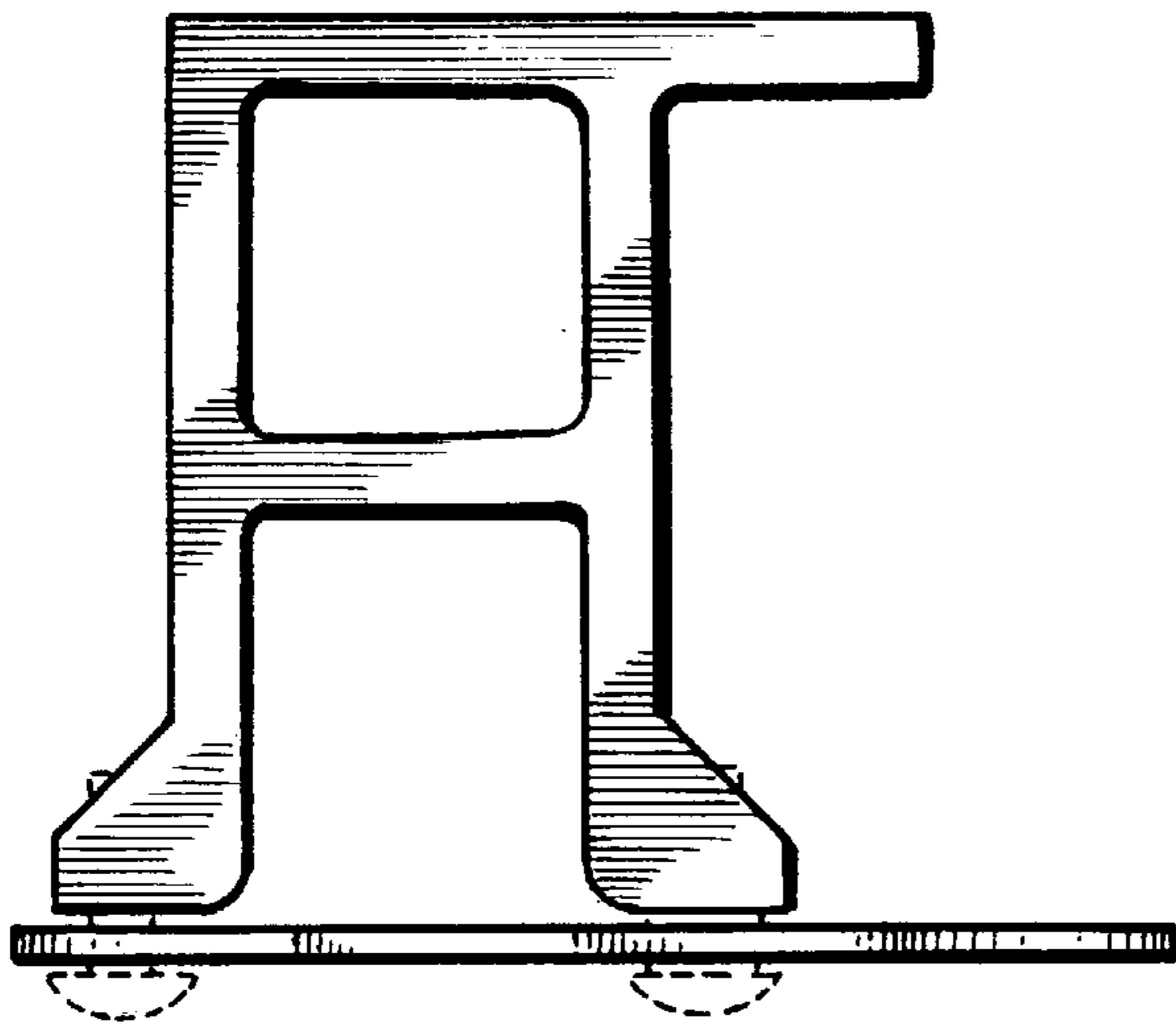
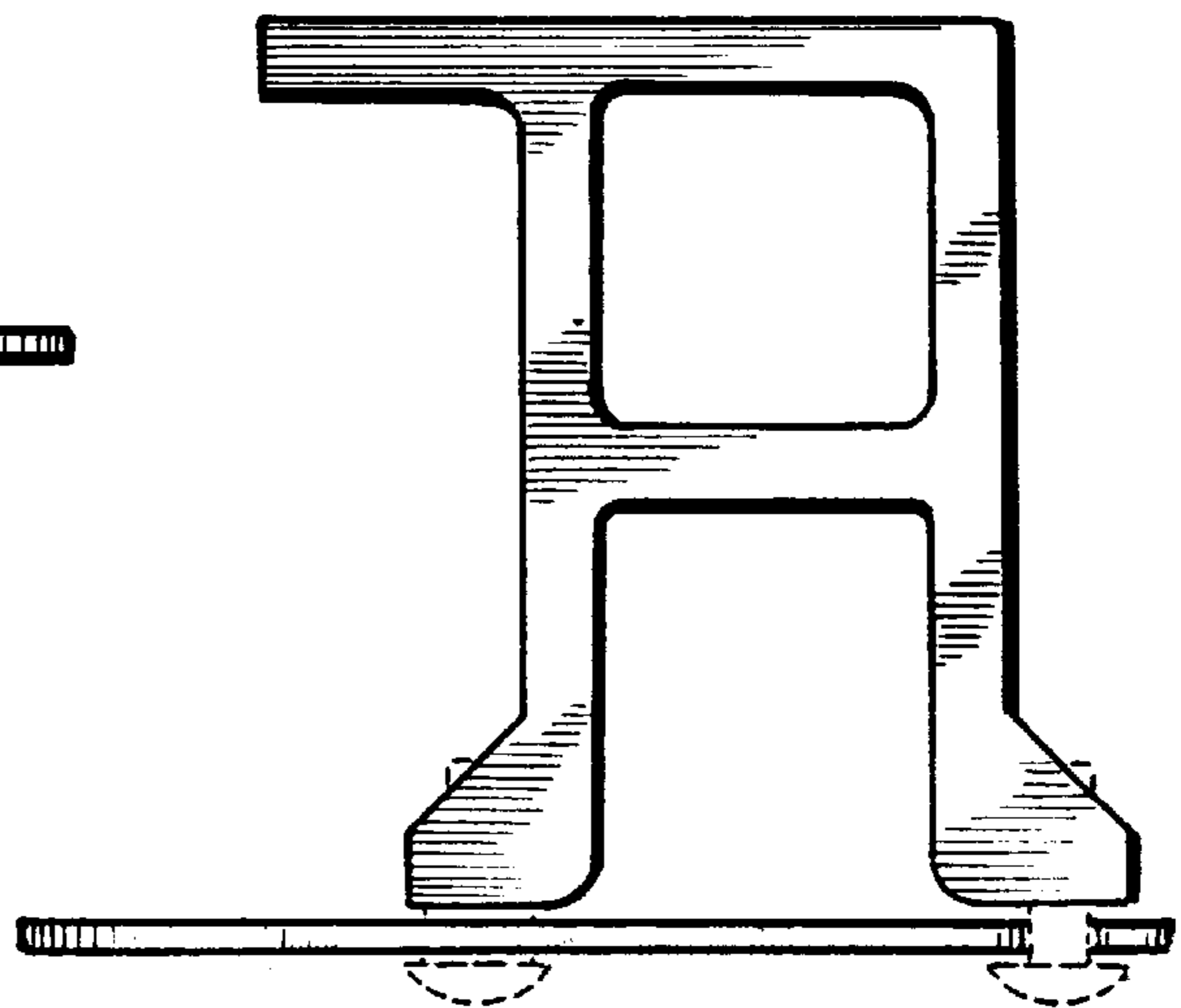


FIG. 8



UNITED STATES PATENT AND TRADEMARK OFFICE
CERTIFICATE OF CORRECTION

PATENT NO. : Des. 424,407
DATED : May 2, 2000
INVENTOR(S) : Chan

Page 1 of 1

It is certified that error appears in the above-identified patent and that said Letters Patent is hereby corrected as shown below:

Page 1, after "[22] Filed July 21, 1999" insert

--[30] Foreign Application Priority Data
February 11, 1999 [UK] United KingdomD 2081126--

Signed and Sealed this

Seventeenth Day of July, 2001

Nicholas P. Godici

Attest:

Attesting Officer

NICHOLAS P. GODICI

Acting Director of the United States Patent and Trademark Office