



US00D424405S

**United States Patent** [19]  
**Schlack et al.**

[11] **Patent Number: Des. 424,405**  
[45] **Date of Patent: \*\* May 9, 2000**

[54] **LATCH ACTUATOR**

[75] Inventors: **Richard E. Schlack**, Rising Sun, Md.;  
**Richard M. Plummer**, Kennett Square,  
Pa.

[73] Assignee: **Southco, Inc.**, Concordville, Pa.

[\*\*] Term: **14 Years**

[21] Appl. No.: **29/107,856**

[22] Filed: **Jul. 14, 1999**

**Related U.S. Application Data**

[60] Division of application No. 29/096,446, Nov. 13, 1998,  
which is a continuation-in-part of application No. 29/088,  
743, Jun. 1, 1998.

[51] **LOC (7) Cl.** ..... **08-07**

[52] **U.S. Cl.** ..... **D8/331; D8/338**

[58] **Field of Search** ..... 70/208, 210, 215,  
70/224; D8/330, 331, 338, 339, 341, 342;  
292/229, DIG. 10, DIG. 31

[56] **References Cited**

**U.S. PATENT DOCUMENTS**

- D. 343,782 2/1994 Gromotka .
- D. 391,139 2/1998 Gilliam .
- D. 396,397 7/1998 Swan .
- 1,868,580 7/1932 McKinney .
- 3,590,609 7/1971 Atkinson .
- 4,693,503 9/1987 Bisbing .
- 4,880,261 11/1989 Bisbing .
- 5,064,228 11/1991 Bisbing .
- 5,201,557 4/1993 Schlack .

- 5,267,762 12/1993 Gromotka .
- 5,347,834 9/1994 Ramsauer .
- 5,375,894 12/1994 Schlack .
- 5,409,272 4/1995 McCormack .
- 5,450,735 9/1995 Esaki et al. .
- 5,469,725 11/1995 Yamada .
- 5,609,373 3/1997 Gromotka .
- 5,722,269 3/1998 Simon et al. .

**OTHER PUBLICATIONS**

Southco Fasteners Handbook 48 (Southco, Inc., Pennsylvania, 1997) Compression Latches, pp. E-21-E-24 and Panel Latches, pp. F-4 and F-5.

*Primary Examiner*—Susan J. Lucas  
*Assistant Examiner*—Jennifer Rivard  
*Attorney, Agent, or Firm*—Paul & Paul

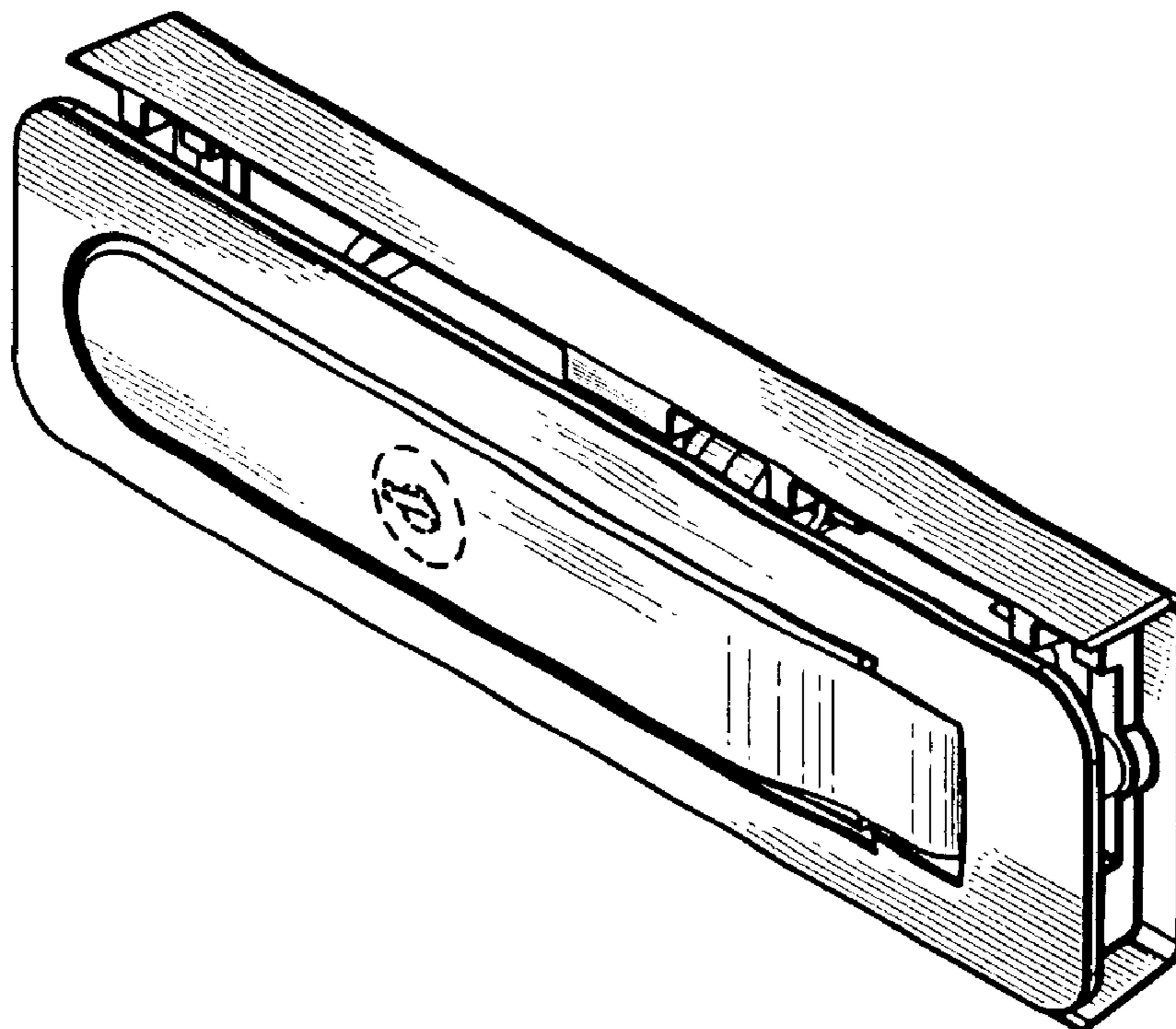
[57] **CLAIM**

The ornamental design for a latch actuator, as shown and described.

**DESCRIPTION**

FIG. 1 is a perspective view of an embodiment of a latch actuator embodying our new design; FIG. 2 is a rear elevational view thereof; FIG. 3 is a top plan view thereof; FIG. 4 is a front elevational view thereof; FIG. 5 is a left side elevational view thereof; FIG. 6 is a right side elevational view thereof; and, FIG. 7 is a bottom plan view thereof. The broken lines showing an opening with lock plug mounted in a handle are for illustrative purposes only and form no part of the claimed design.

**1 Claim, 1 Drawing Sheet**



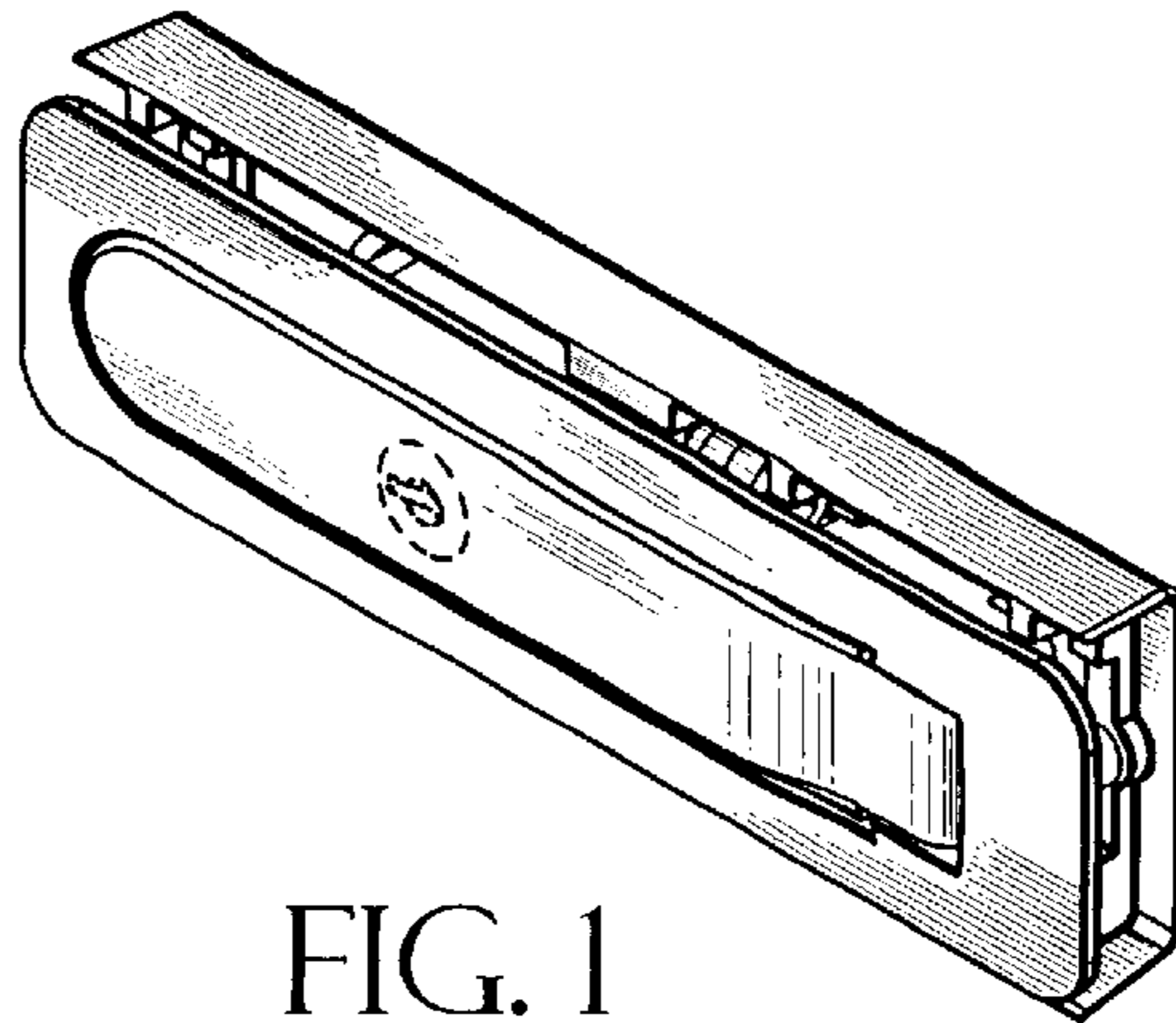


FIG. 1

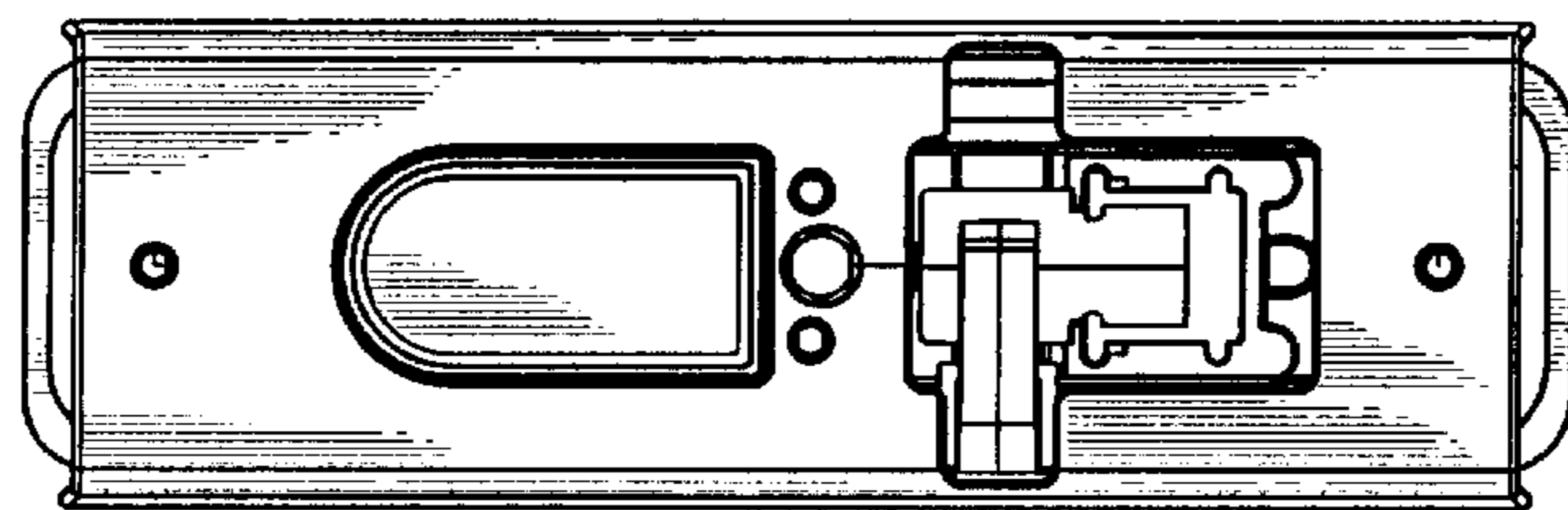


FIG. 2

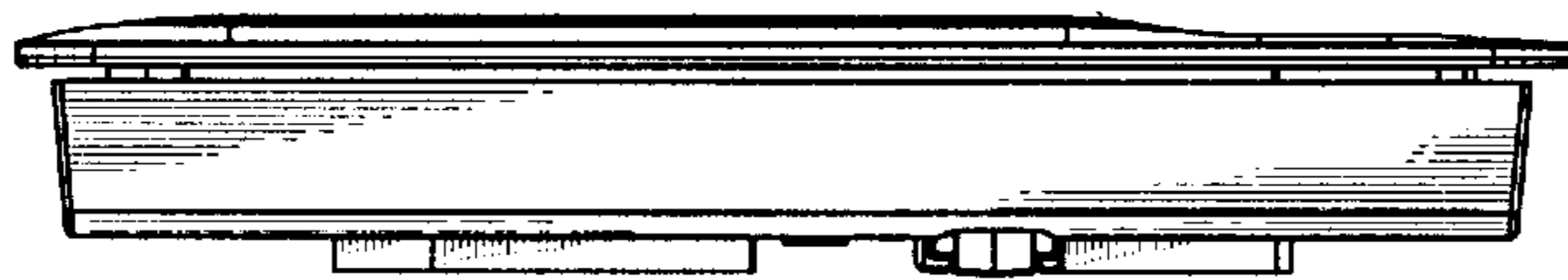


FIG. 3

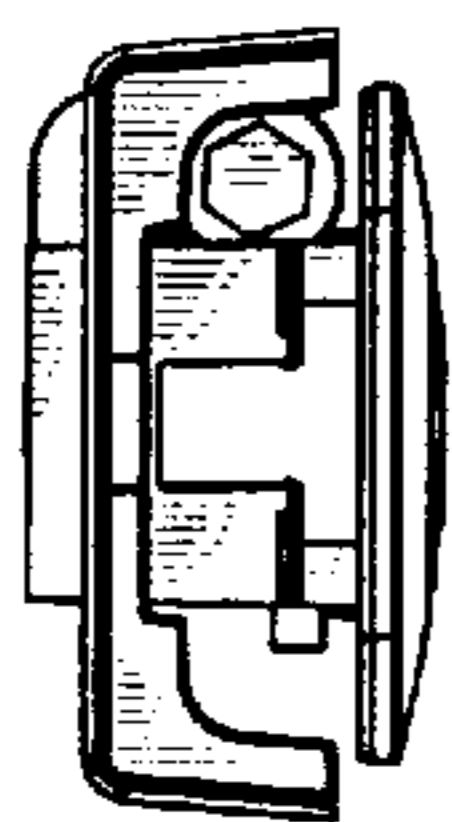


FIG. 5

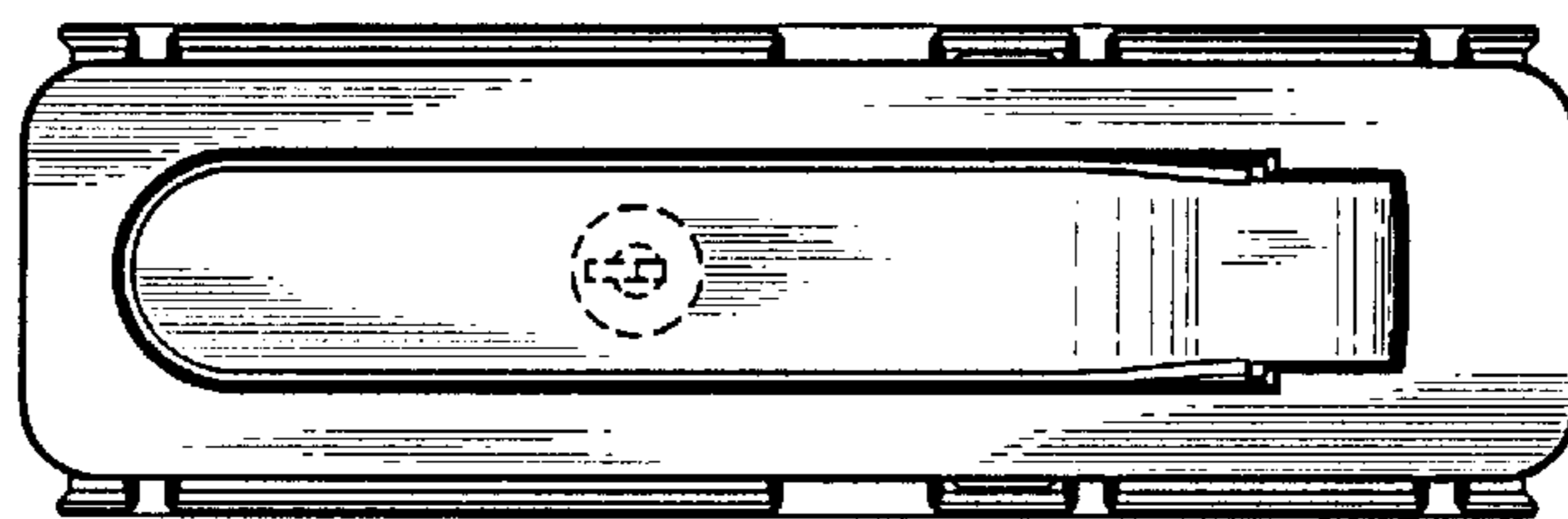


FIG. 4

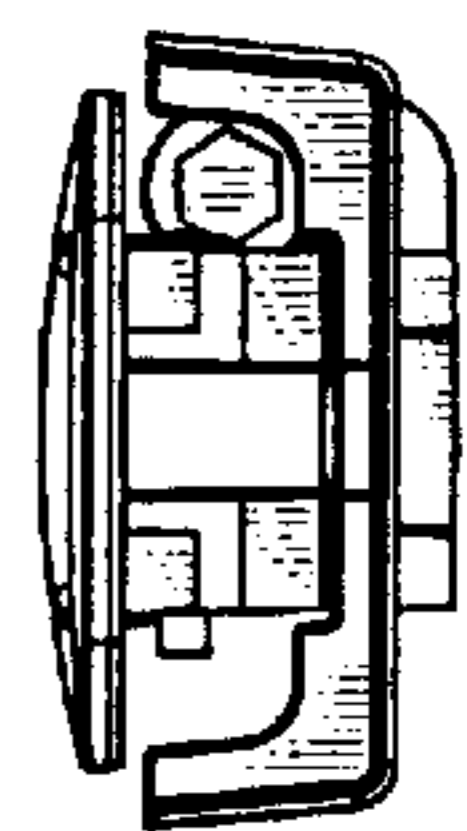


FIG. 6

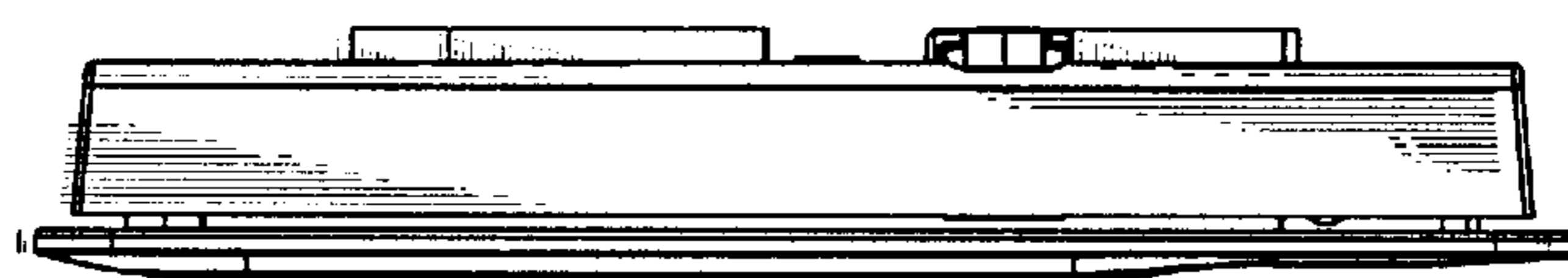


FIG. 7