



US00D424403S

United States Patent [19]

Workman et al.

[11] Patent Number: Des. 424,403

[45] Date of Patent: ** May 9, 2000

[54] HANDLE AND HANDLE BASE FOR LUGGAGE

[75] Inventors: David E. Workman, Princeton; Timm Fenton, Lebanon, both of N.J.

[73] Assignee: Tumi, Inc., South Plainfield, N.J.

[**] Term: 14 Years

[21] Appl. No.: 29/103,330

[22] Filed: Apr. 13, 1999

Related U.S. Application Data

[62] Division of application No. 29/084,470, Mar. 3, 1998.

[51] LOC (7) Cl. 08-06

[52] U.S. Cl. D8/320; D8/302; D8/319

[58] Field of Search D8/315-320; 16/110 R, 16/111 R, 125; 190/115-118; D3/276, 291; 70/69-75; 292/DIG. 48, DIG. 50

[56] References Cited

U.S. PATENT DOCUMENTS

- D. 216,076 11/1969 Marks .
- D. 360,526 7/1995 Boncato D3/276
- 1,808,890 6/1931 Grant .

- 3,009,551 11/1961 Kotkins .
- 3,095,723 7/1963 McKnight et al. .
- 4,782,556 11/1988 Kim 16/125
- 5,630,488 5/1997 Chen 190/115

Primary Examiner—B. J. Bullock
Attorney, Agent, or Firm—Baker & Botts, L.L.P.

[57] CLAIM

The ornamental design for a handle and handle base for luggage, as shown and described.

DESCRIPTION

FIG. 1 is a pictorial view taken from above and in front of a handle and handle base for luggage according to our new design;

FIG. 2 is a right side elevational view, and is also mirror image of the left side.;

FIG. 3 is a rear elevational view;

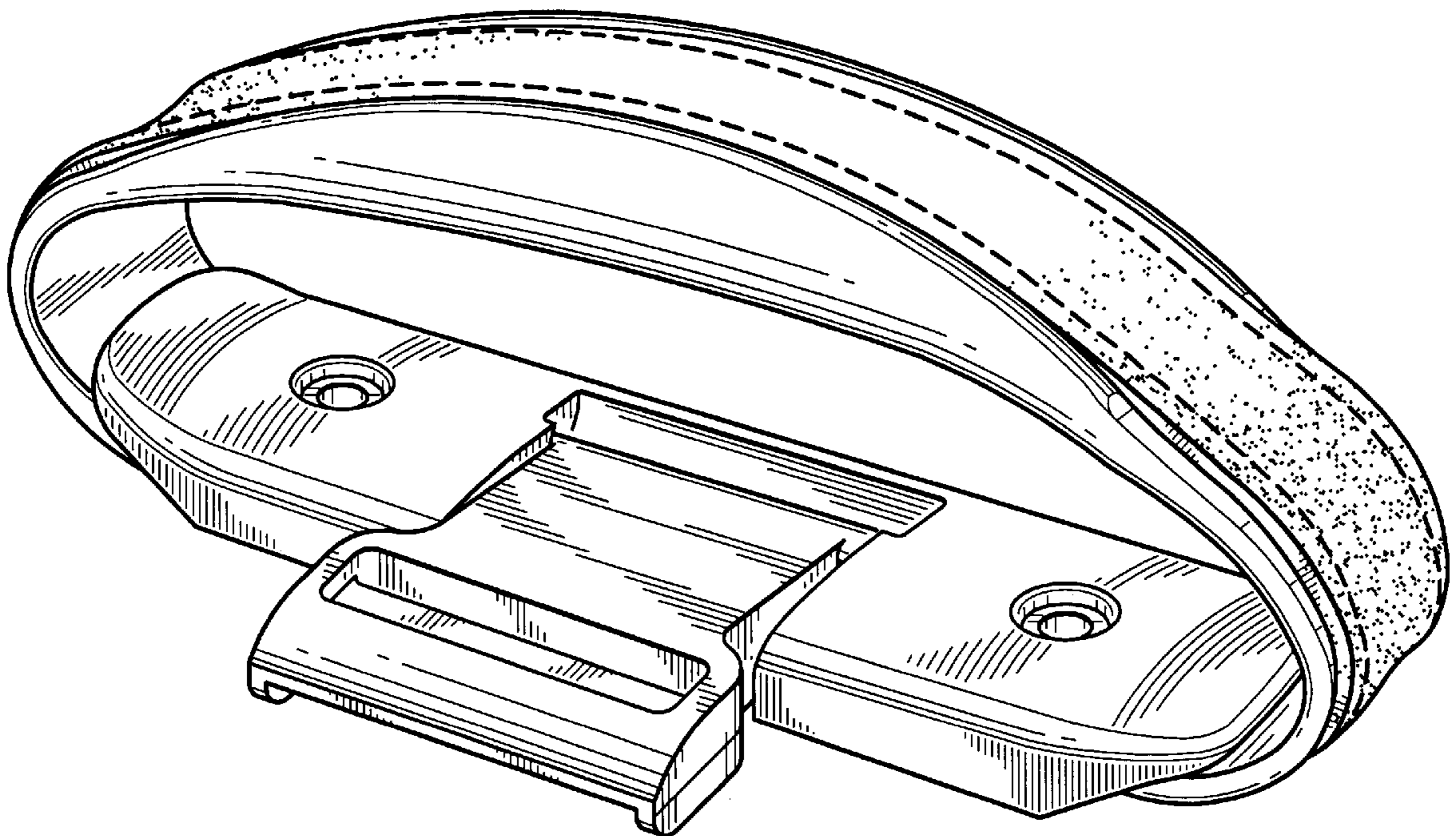
FIG. 4 is an end cross-sectional view of the handle, taken along the lines 4—4 of FIG. 3;

FIG. 5 is an end cross-sectional view of the handle, taken along the lines 5—5 of FIG. 3; and,

FIG. 6 is an end cross-sectional view of the handle, taken along the lines 6—6 of FIG. 3.

The bottom of the base forms no part of the claimed design.

1 Claim, 2 Drawing Sheets



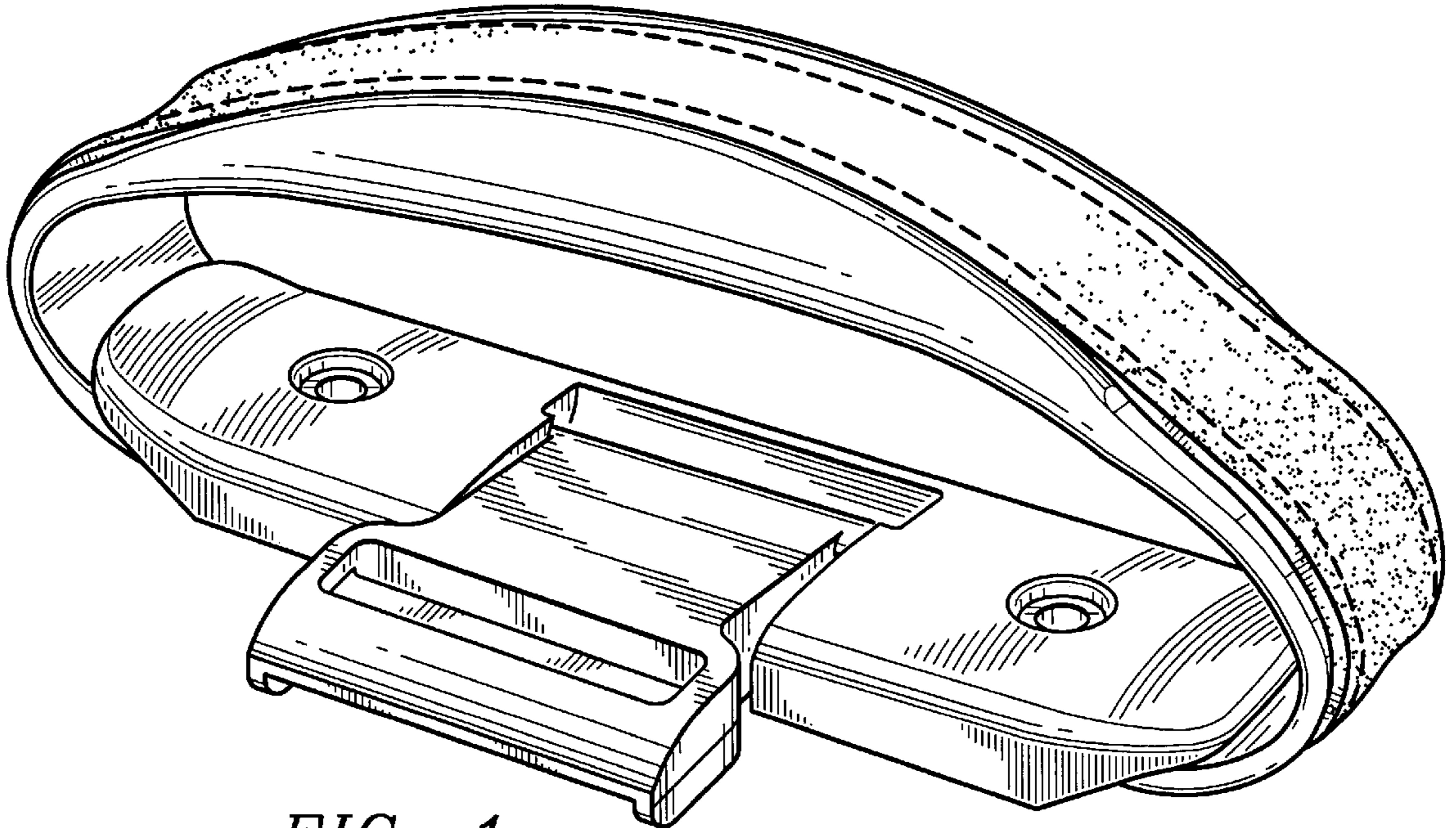


FIG. 1

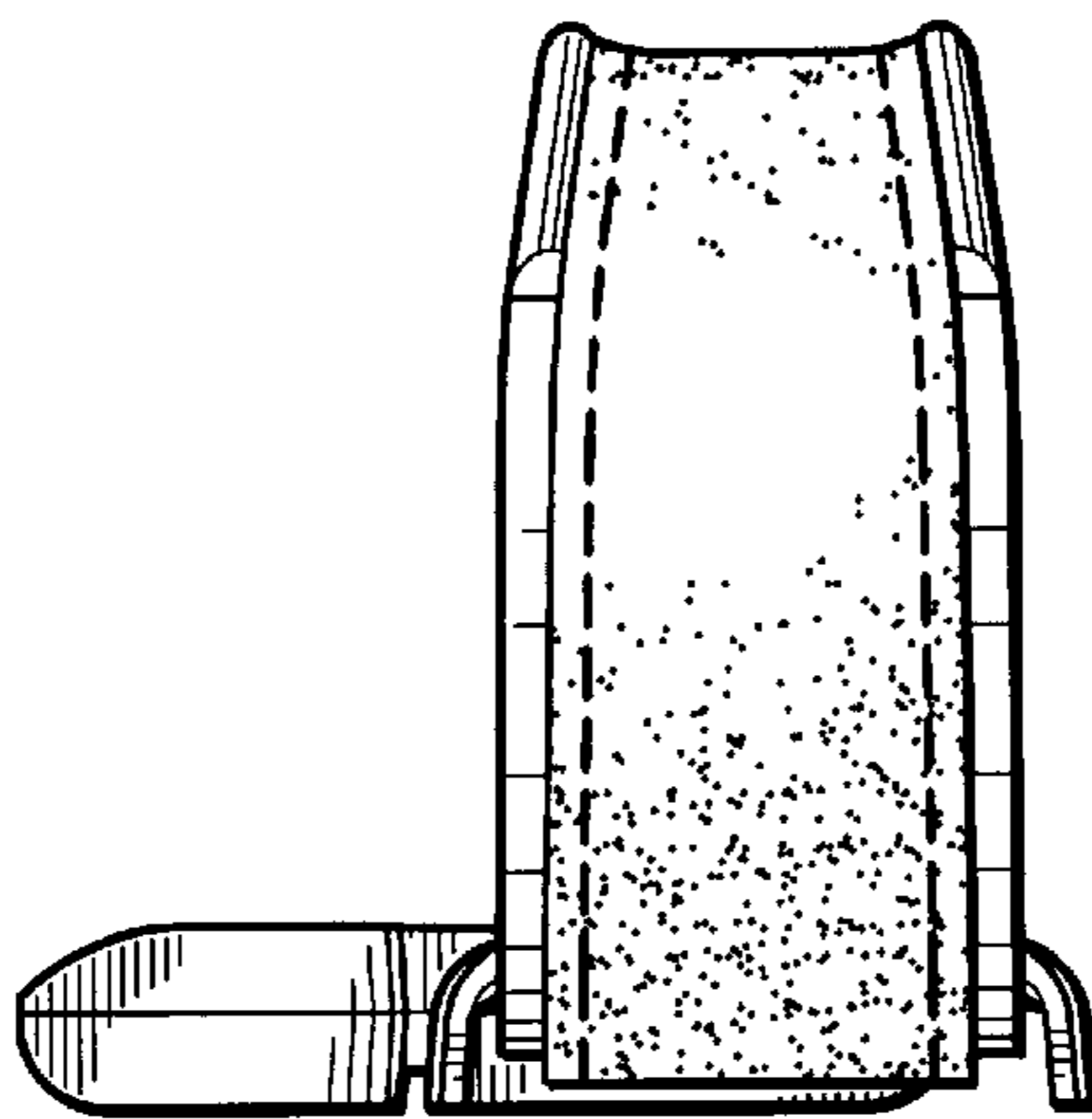


FIG. 2

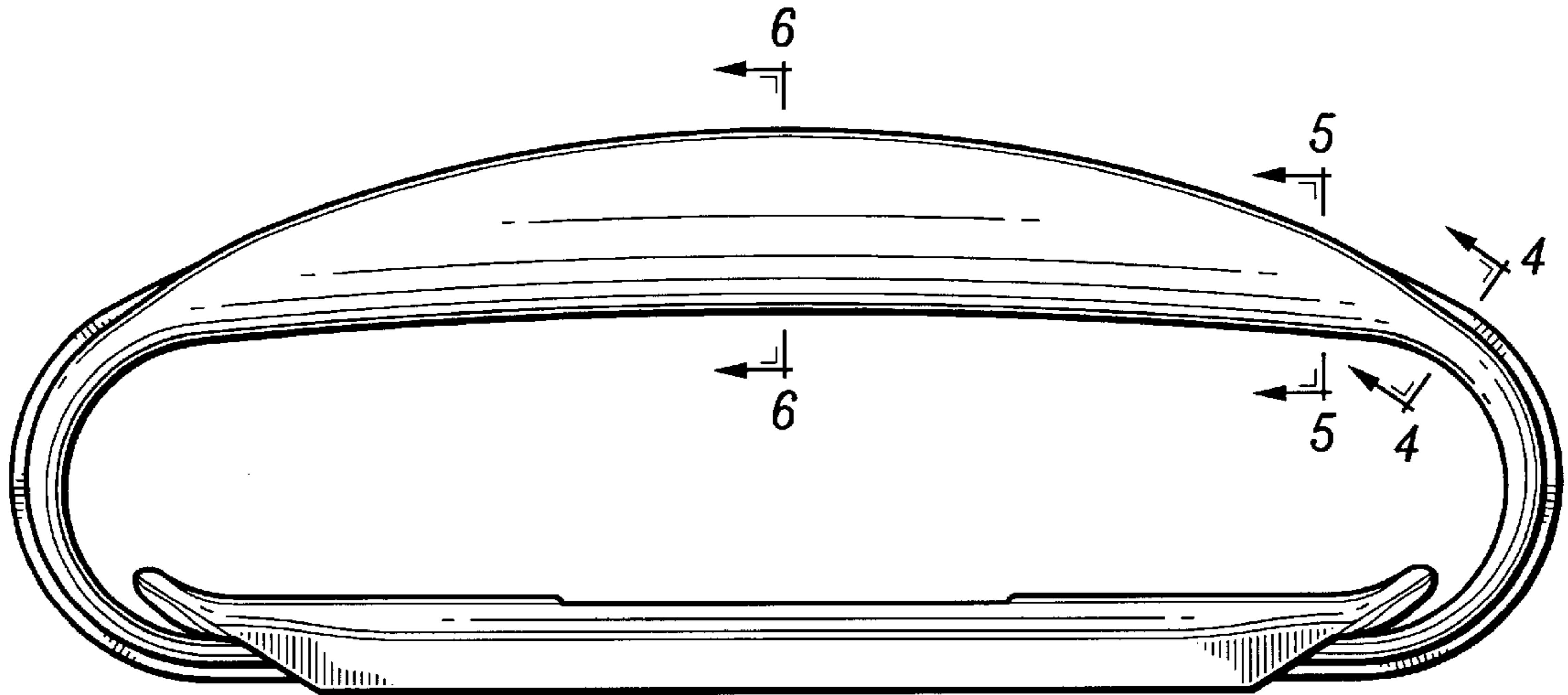


FIG. 3



FIG. 4

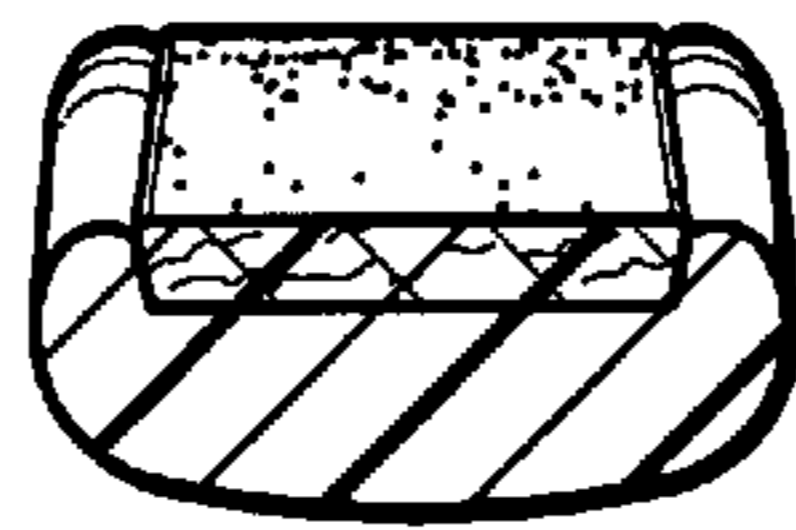


FIG. 5

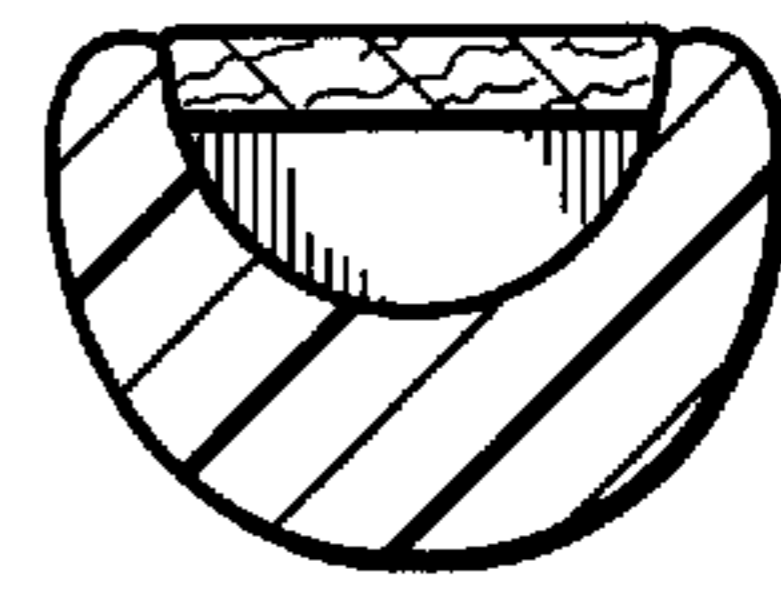


FIG. 6