



US00D424400S

United States Patent [19] Lin

[11] **Patent Number: Des. 424,400**

[45] **Date of Patent: ** May 9, 2000**

[54] **LUGGAGE HANDLE**

[75] Inventor: **Jer Hong Lin**, Taipei, Taiwan

[73] Assignee: **Chaw Khong Technology Co., Ltd.**,
Taiwan

[**] Term: **14 Years**

[21] Appl. No.: **29/103,931**

[22] Filed: **Apr. 26, 1999**

[51] **LOC (7) Cl.** **08-06**

[52] **U.S. Cl.** **D8/302; D8/319; D8/320**

[58] **Field of Search** D8/300-302, 313-316,
D8/319-320; D3/318, 276, 281, 279, 291;
190/39, 115-118, 18 R; 16/111 R

[56] **References Cited**

U.S. PATENT DOCUMENTS

D. 214,299	5/1969	D'Ella	D8/316
D. 353,713	12/1994	Kumashiro	D3/276
5,530,990	7/1996	Chen	16/111 R
5,816,374	10/1998	Hsien	190/115

5,816,375	10/1998	Tu	190/115
5,836,052	11/1998	Chou	16/111 R
5,926,914	7/1999	Kuo	190/115
5,927,451	7/1999	Tsai	190/115

Primary Examiner—Louis S. Zarfes
Assistant Examiner—Robert A. Delehanty
Attorney, Agent, or Firm—Dougherty & Troxell

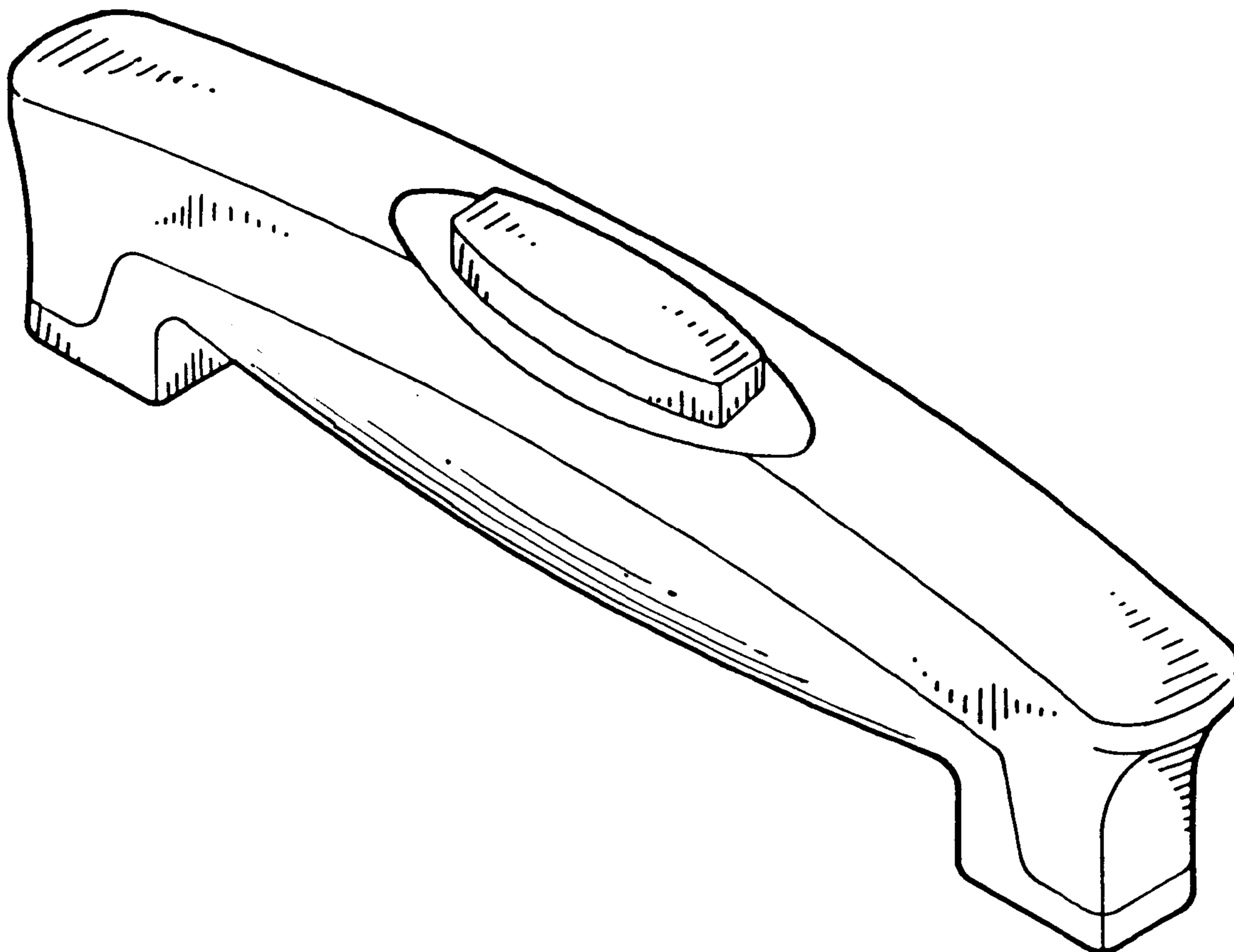
[57] **CLAIM**

The ornamental design for a luggage handle, as shown.

DESCRIPTION

FIG. 1 is a perspective view of the luggage handle of this invention;
FIG. 2 is a front elevational view thereof;
FIG. 3 is a rear elevational view thereof;
FIG. 4 is a left side elevational view thereof;
FIG. 5 is a right side elevational view thereof;
FIG. 6 is a top plan view thereof;
FIG. 7 is a bottom plan view thereof; and,
FIG. 8 is a sectional view taken along lines 8—8 shown in FIG. 6.

1 Claim, 4 Drawing Sheets



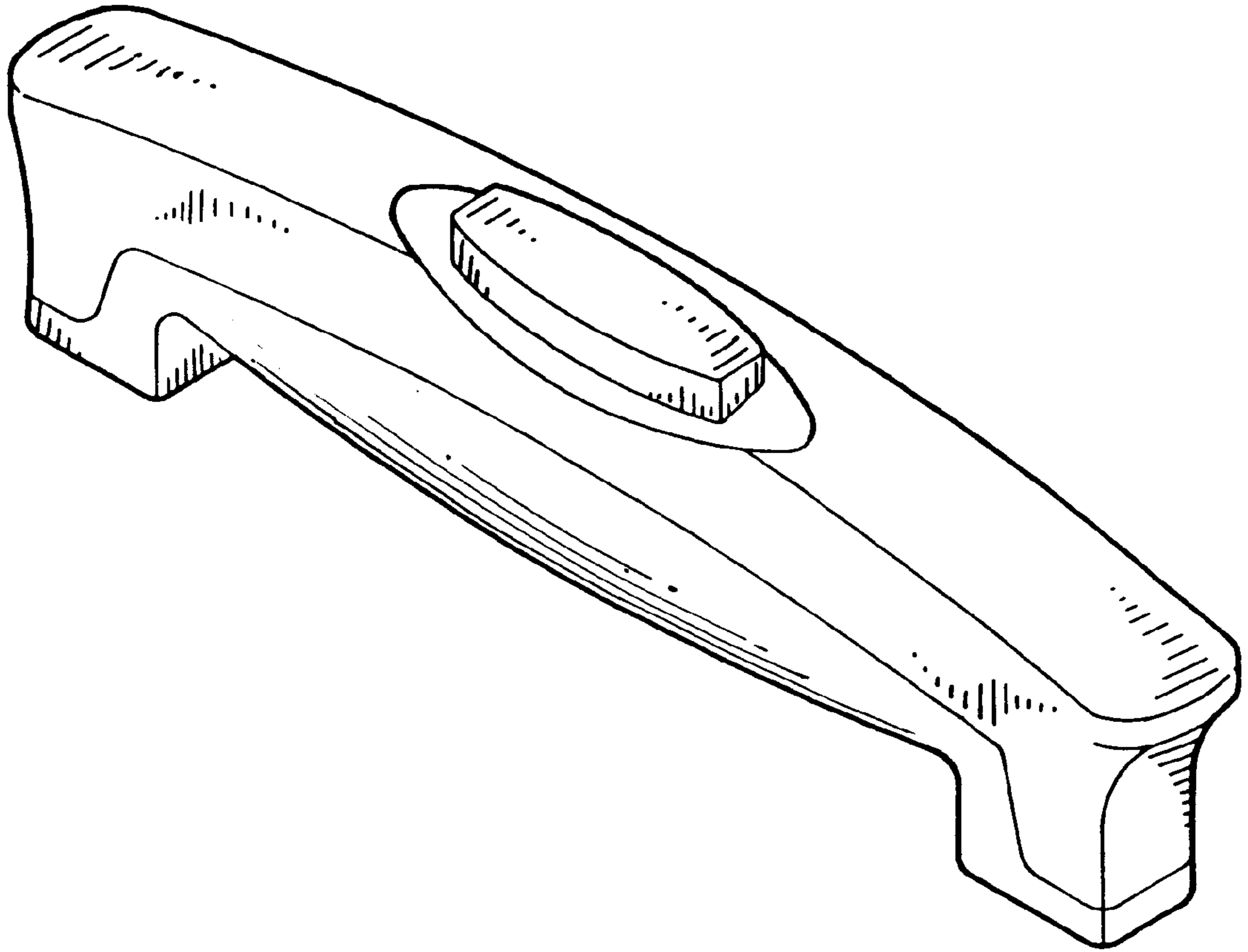


FIG. 1

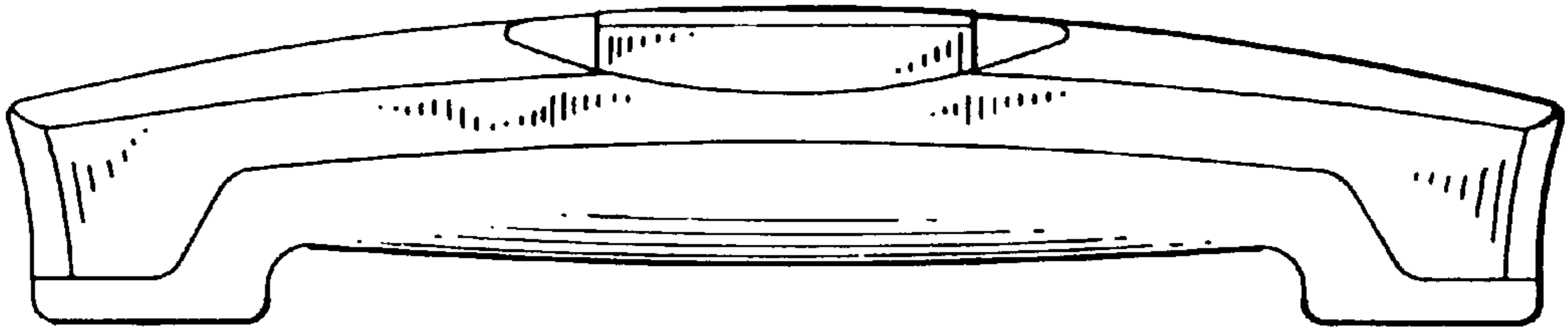


FIG. 2

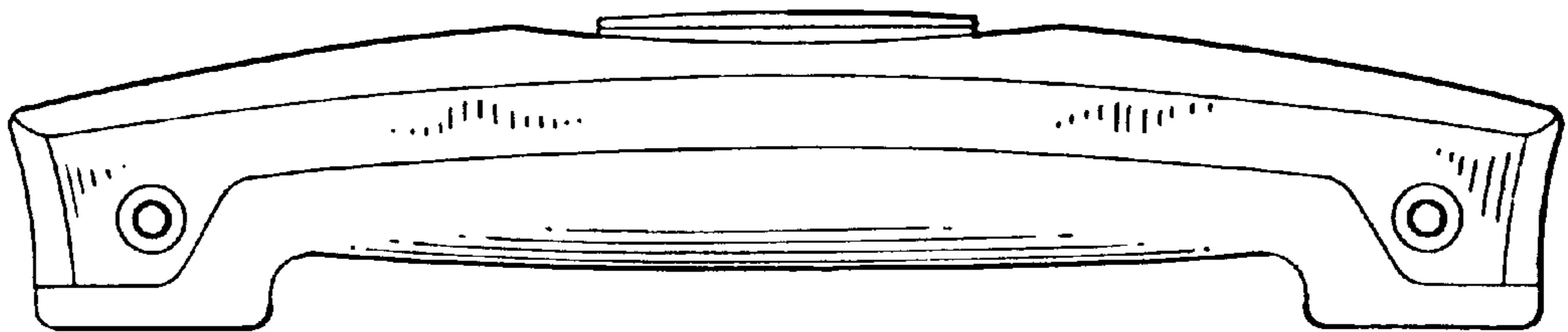


FIG. 3

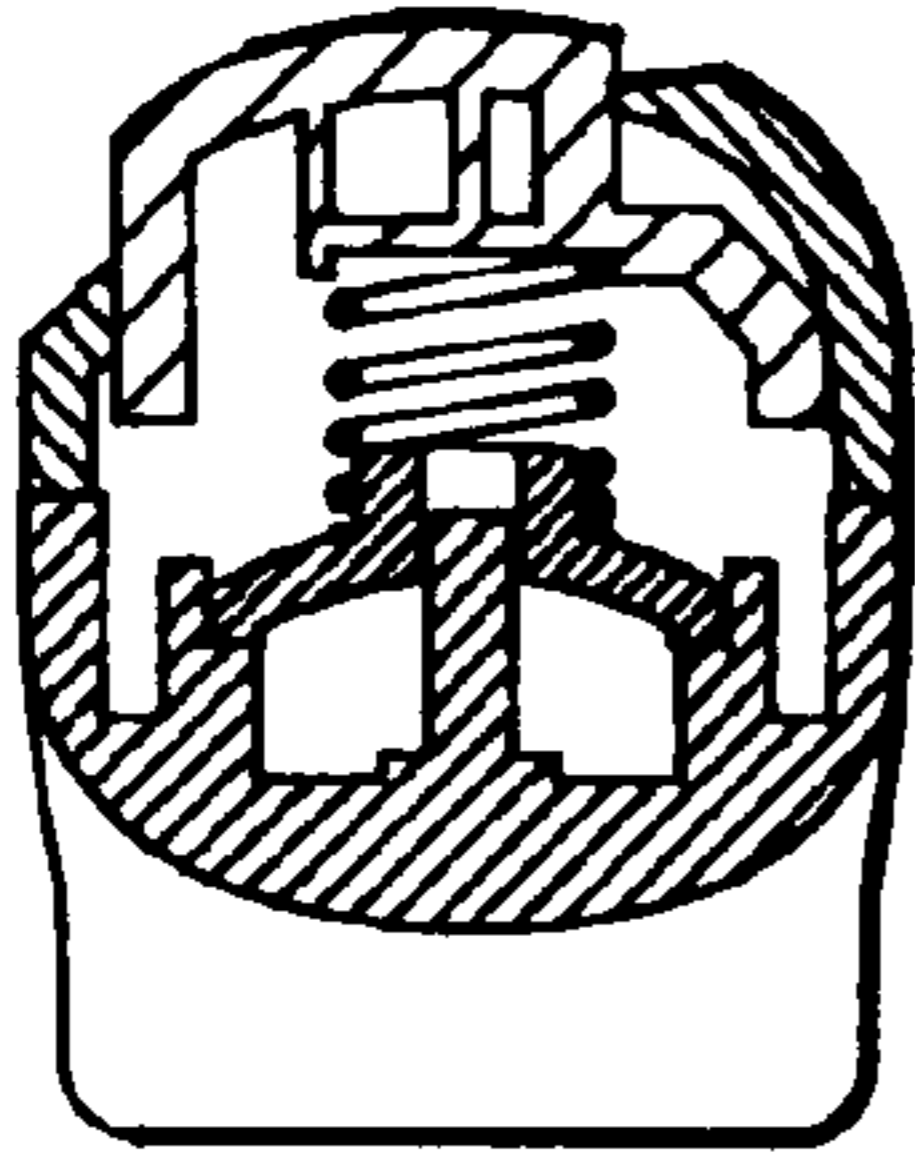


FIG. 8

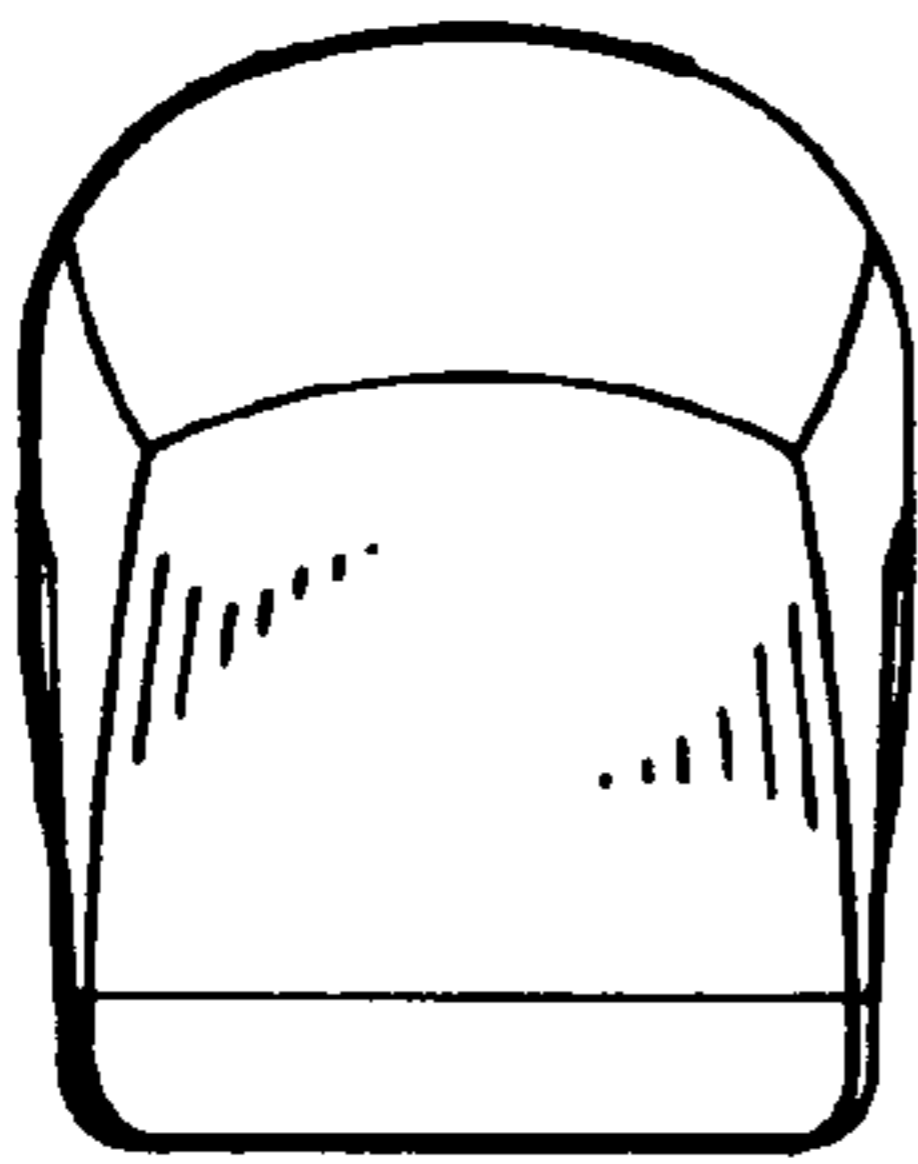


FIG. 4

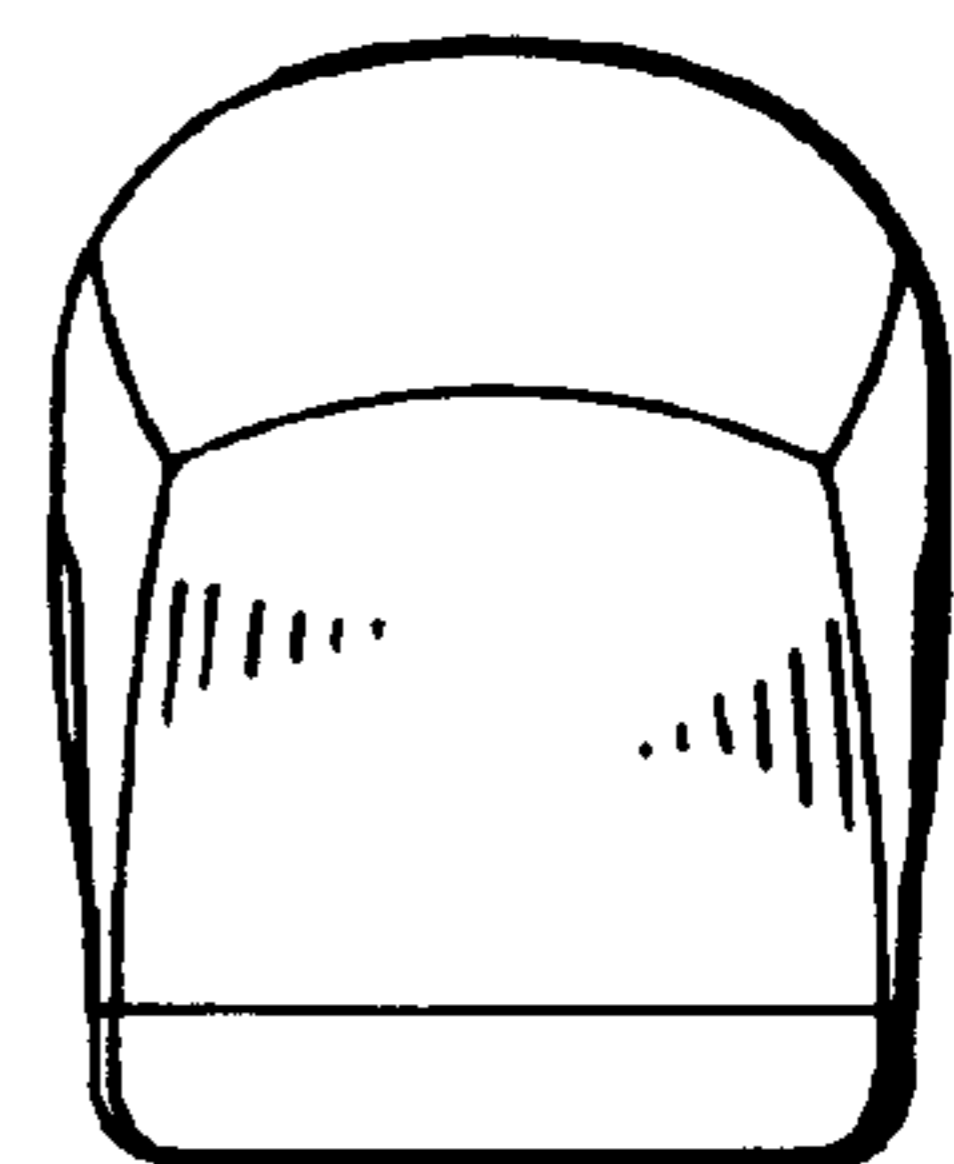


FIG. 5

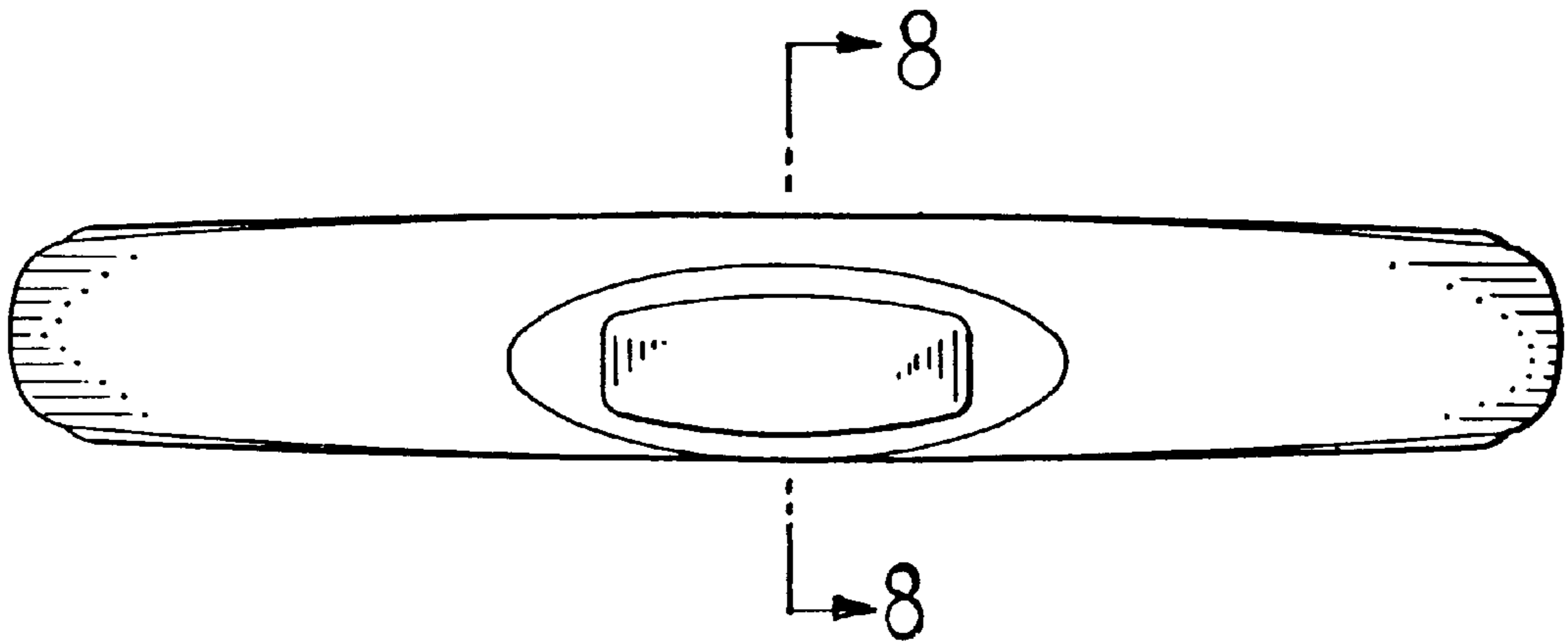


FIG. 6

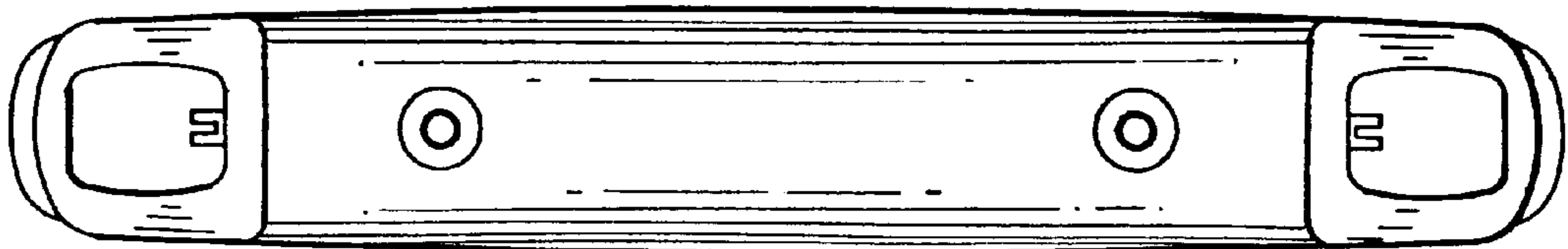


FIG. 7