



US00D424384S

United States Patent [19] Singer

[11] Patent Number: Des. 424,384

[45] Date of Patent: ** May 9, 2000

[54] ATHLETIC SHOE CLEAT

[75] Inventor: Joel A. Singer, Quincy, Mass.

[73] Assignee: Spalding Sports Worldwide, Inc.,
Chicopee, Mass.

[**] Term: 14 Years

[21] Appl. No.: 29/099,610

[22] Filed: Jan. 22, 1999

[51] LOC (7) Cl. 02-04

[52] U.S. Cl. D7/962

[58] Field of Search D2/962, 906, 960,
D2/954; 36/134, 114, 59 R, 61, 62, 64,
65, 66, 67 R, 67 A, 67 B, 67 C, 59 A,
59 B

[56] **References Cited**

U.S. PATENT DOCUMENTS

180,578	1/1876	Gunsalus	36/59 R
D. 208,761	10/1967	Gottlieb	D2/320
D. 310,294	9/1990	Peterson	D2/317
D. 321,977	12/1991	Kilgore et al.	D2/320
D. 324,133	2/1992	Mitsui	D2/320
D. 324,763	3/1992	Kayano	D2/320
D. 325,815	5/1992	Bass	D2/320
D. 327,975	7/1992	Saito et al.	D2/314
D. 347,934	6/1994	Mitsui et al.	D2/953
D. 348,147	6/1994	Nakano	D2/960
D. 356,672	3/1995	Ueda	D2/959
D. 366,755	2/1996	Abbey	D2/962
D. 368,157	3/1996	Erickson	D2/962
D. 371,453	7/1996	Deacon et al.	D2/962
D. 372,354	8/1996	Mitsu et al.	D2/952
D. 375,192	11/1996	Bathum	D2/962
D. 389,997	2/1998	Adam	D2/962
D. 410,693	6/1999	Brockman	D2/962

D. 412,240	7/1999	Todd	D2/962
1,072,794	9/1913	Tradesco .	
1,870,751	8/1932	Reach .	
2,078,626	4/1937	Bauer .	
2,222,650	11/1940	Brady .	
2,223,794	12/1940	Pierce et al. .	
2,677,905	5/1954	Dye .	
3,043,026	7/1962	Semon .	
3,656,245	4/1972	Wilson	36/67 D
3,732,634	5/1973	Jacobson	36/2.5 AH

(List continued on next page.)

OTHER PUBLICATIONS

USA Today, Aug. 20, 1998, p. 8C.

Primary Examiner—Louis S. Zarfes

Assistant Examiner—Greg Andoll

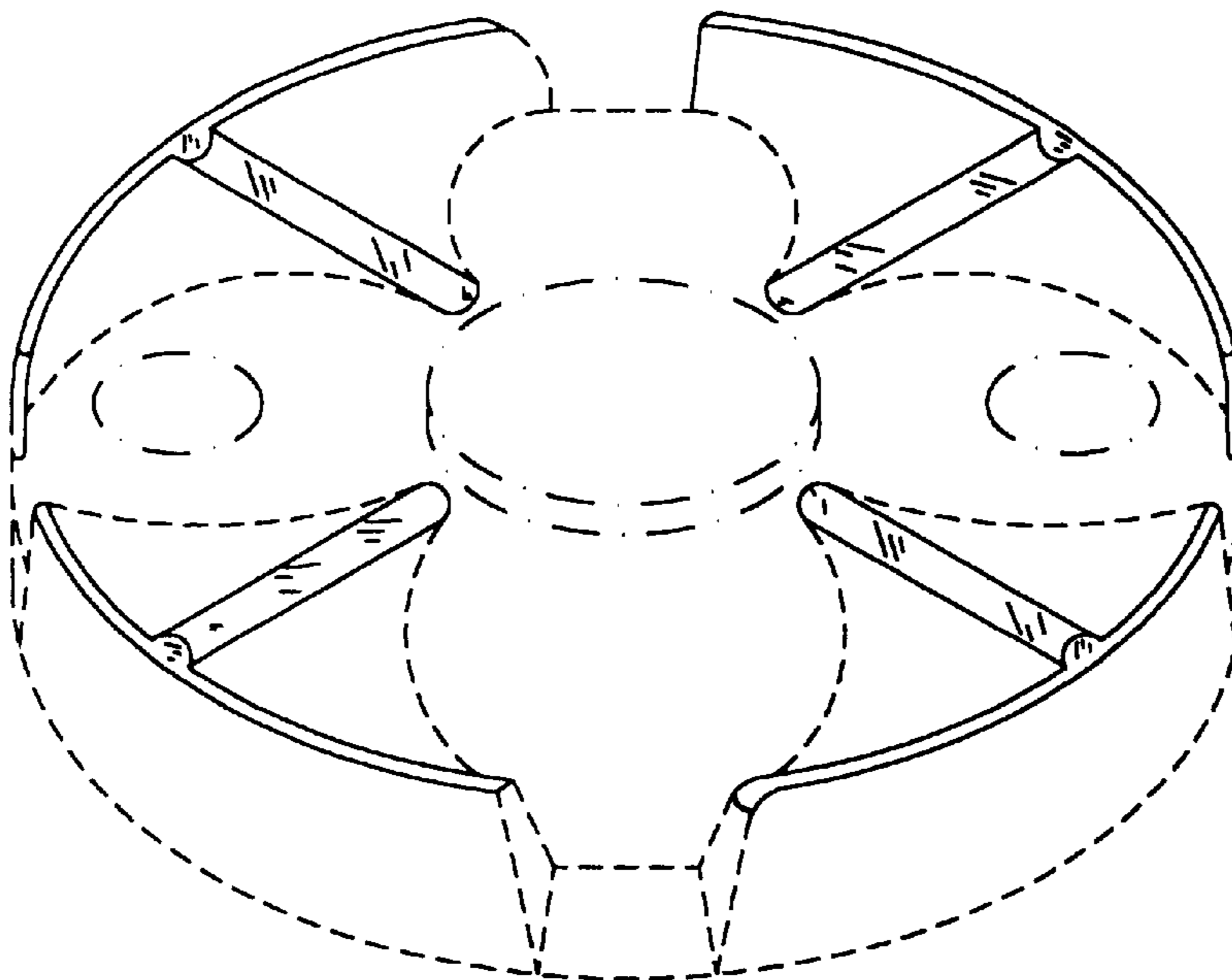
[57] CLAIM

The ornamental design for the athletic shoe cleat, as shown and described.

DESCRIPTION

FIG. 1 is a perspective view of the athletic shoe cleat showing the design of my invention; FIG. 2 is a top plan view thereof; FIG. 3 is a bottom view thereof; FIG. 4 is a side view thereof, the other side being a mirror image; and, FIG. 5 is a side view thereof, rotated 90 degrees with respect to FIG. 4, the other side being a mirror image. The broken line showing of the rest of the cleat in the Figures is for illustrative purposes only and forms no part of the claimed design. The broken lines which define part of the bounds of the claimed design form no part thereof.

1 Claim, 2 Drawing Sheets



U.S. PATENT DOCUMENTS

4,014,114	3/1977	Jordan et al.	36/67 D	4,715,133	12/1987	Hartjes et al.	36/127
4,146,979	4/1979	Fabbrie	36/67 D	4,723,366	2/1988	Hagger	36/134
4,307,521	12/1981	Inohara et al.	36/31	4,783,913	11/1988	Aoyama	36/134
4,327,503	5/1982	Johnson	36/32 R	4,833,796	5/1989	Flemming	36/134
4,360,490	11/1982	Collins	264/249	4,885,851	12/1989	Peterson	36/127
4,366,632	1/1983	Bente	36/67 D	5,027,532	7/1991	MacNeill et al.	36/134
4,378,643	4/1983	Johnson	36/129	5,033,211	7/1991	Latraverse et al.	36/134
4,439,936	4/1984	Clarke et al.	36/102	5,259,129	11/1993	Deacon et al.	36/127
4,466,205	8/1984	Corbari	36/134	5,265,354	11/1993	Aliano, Jr.	36/127
4,561,197	12/1985	Misevich	36/127	5,293,701	3/1994	Sullivan	36/59 R
4,676,010	6/1987	Cheskin	36/32 R	5,367,793	11/1994	Deacon et al.	36/127
				5,533,282	7/1996	Kataoka et al.	36/129
				5,962,980	7/1999	Adam	36/134

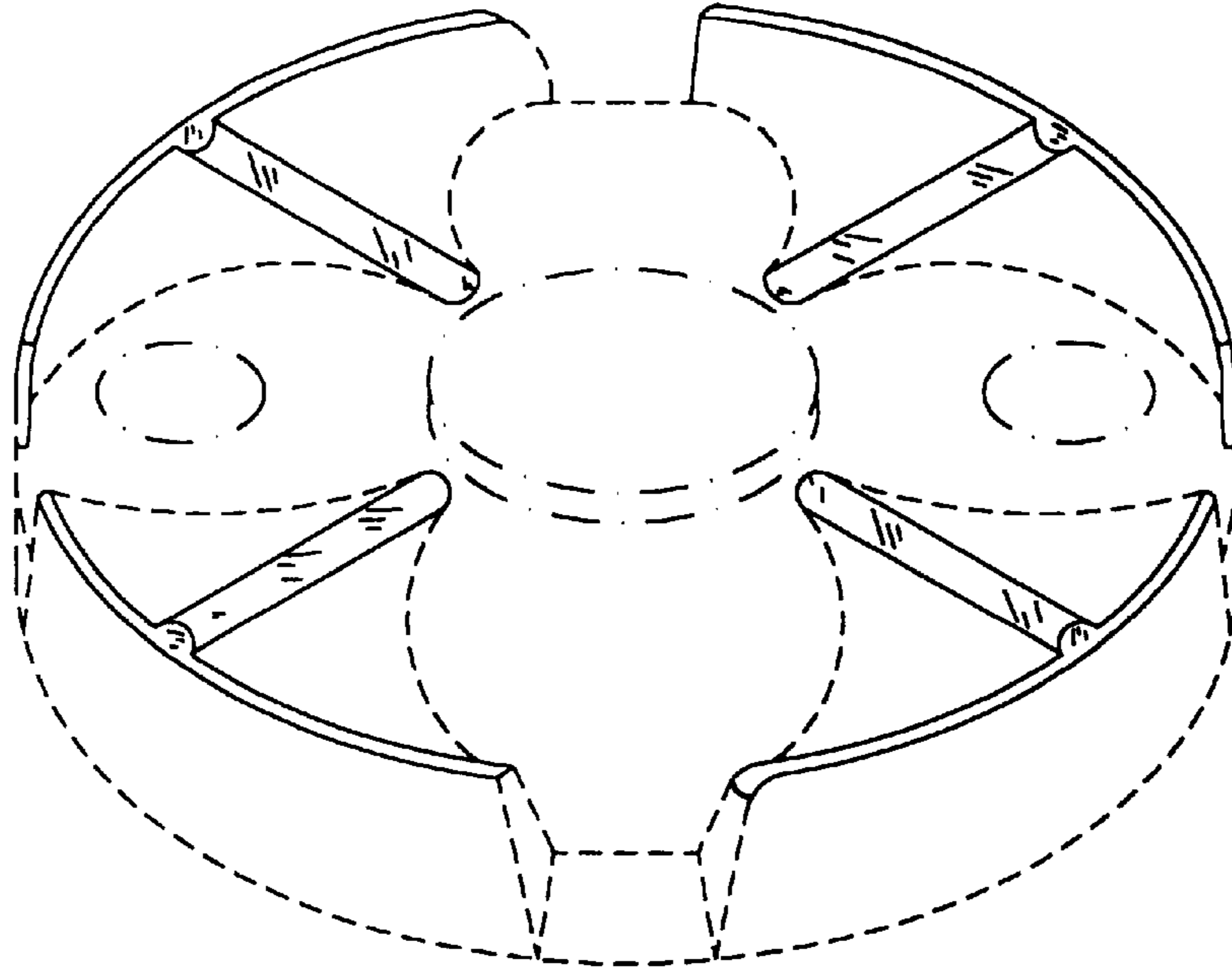


Fig. 1

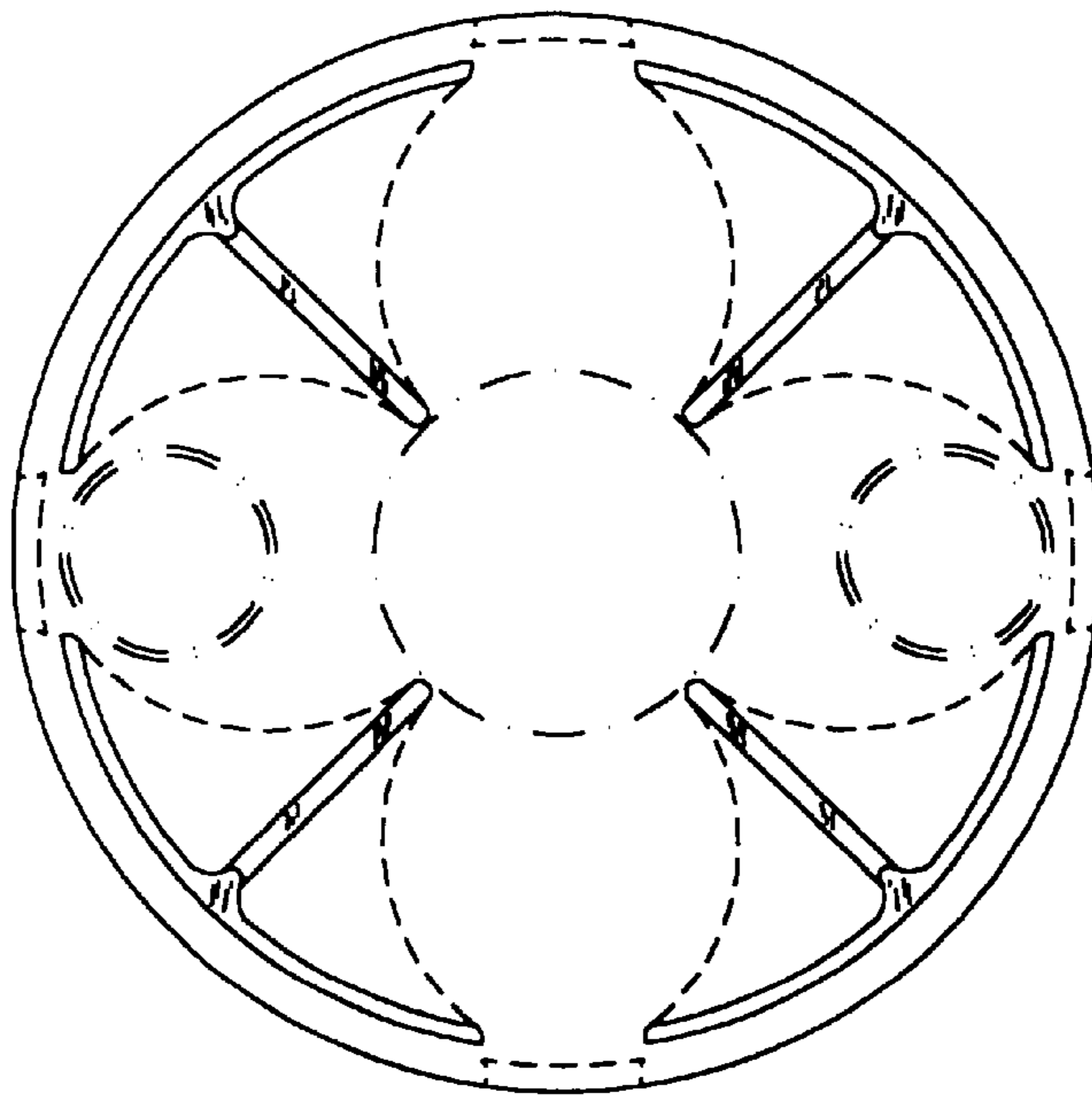


Fig. 2

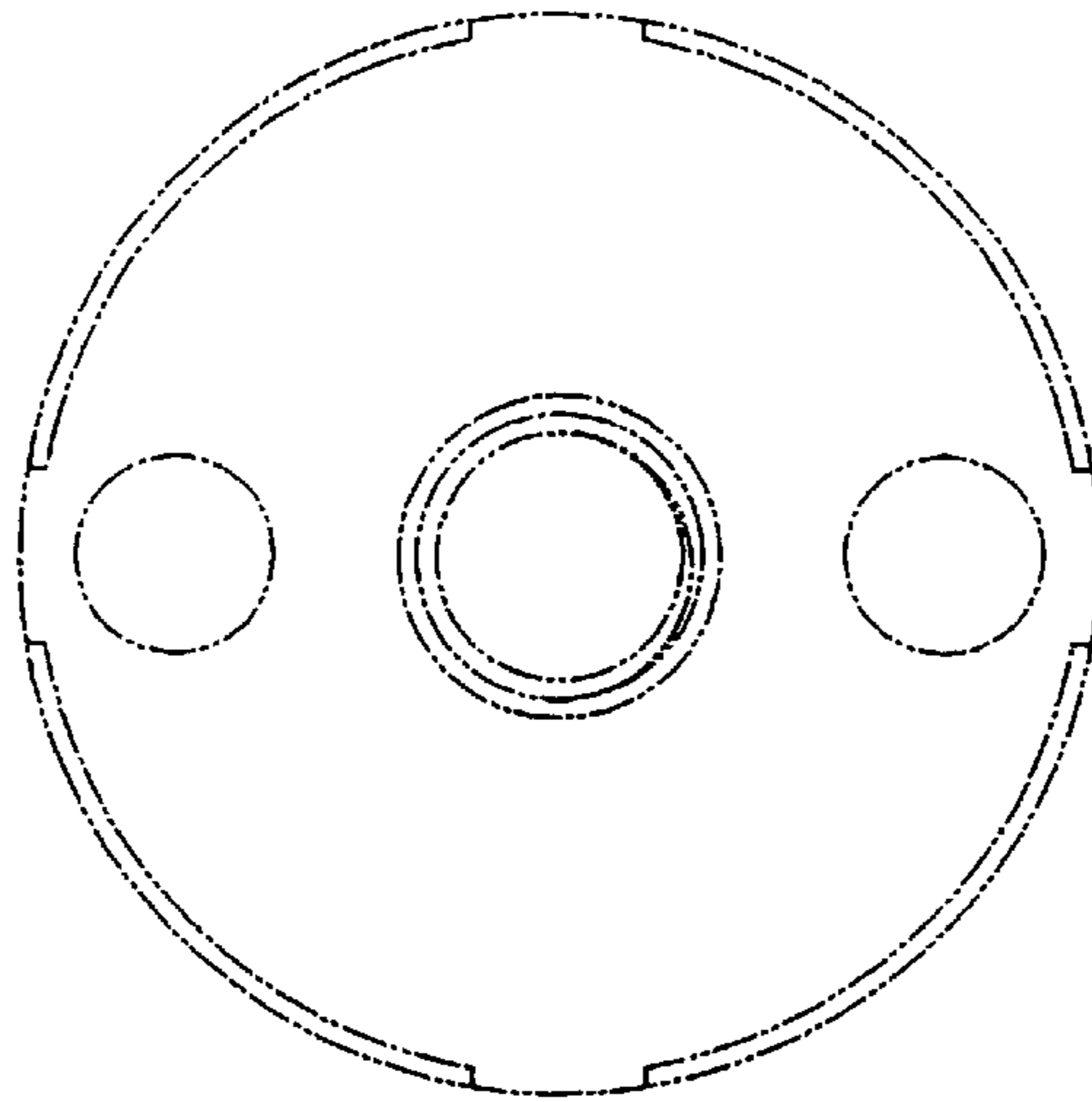


Fig. 3

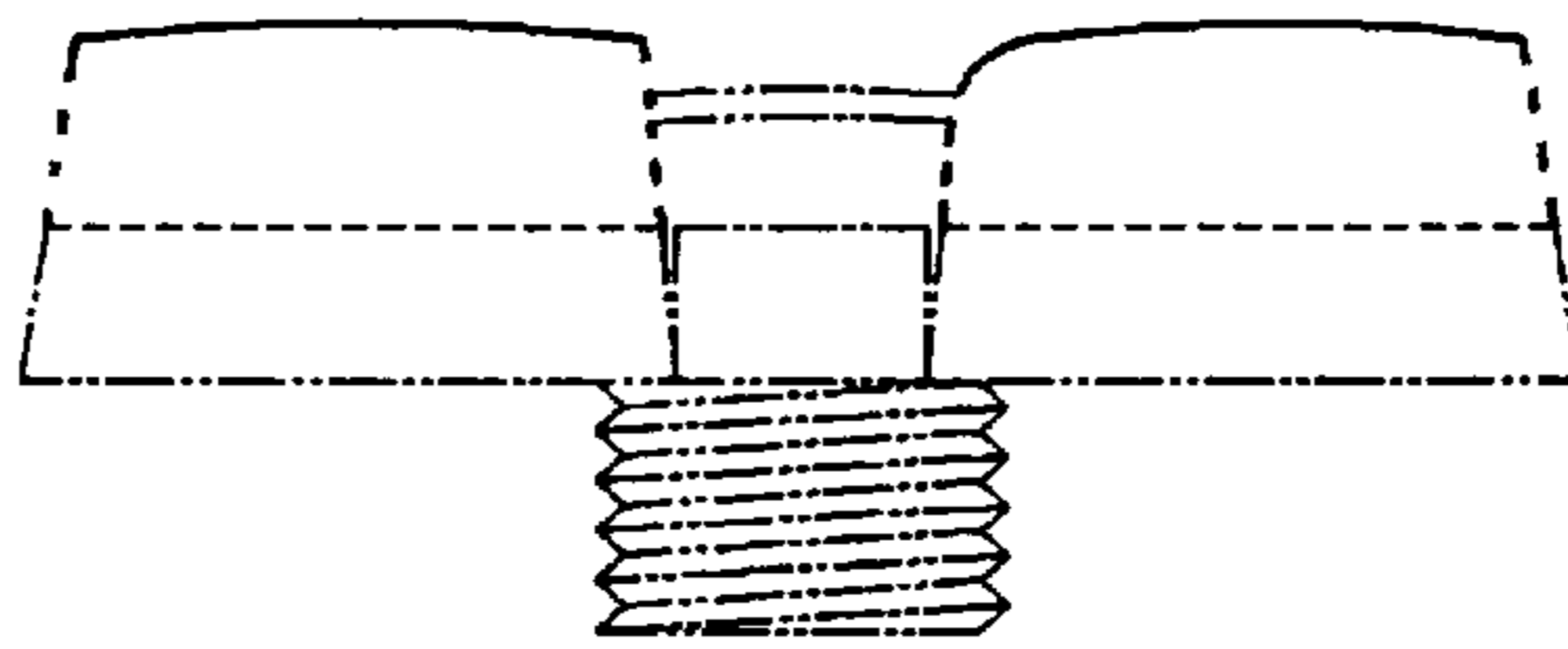


Fig. 4

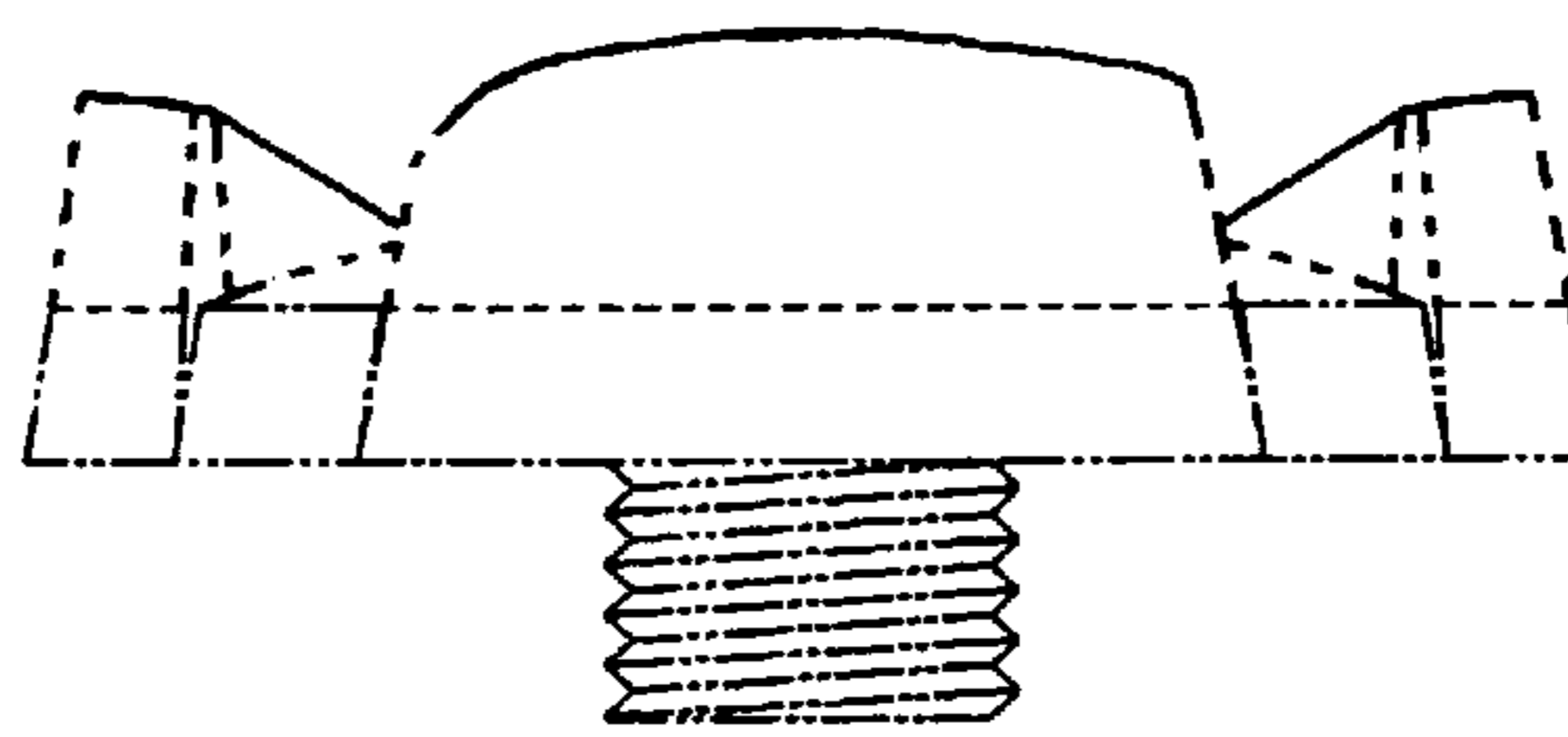


Fig. 5