



US00D424381S

United States Patent [19]
Terenzio

[11] **Patent Number: Des. 424,381**
[45] **Date of Patent: ** May 9, 2000**

[54] **BOWL-COLANDER SET**

Attorney, Agent, or Firm—John R. Benefiel

[75] Inventor: **Dennis M. Terenzio**, Mercer Island, Wash.

[57] **CLAIM**

The ornamental design for a bowl-colander set, as shown and described.

[73] Assignee: **Progressive International Corporation**, Kent, Wash.

DESCRIPTION

[**] Term: **14 Years**

FIG. 1 is a top view of a bowl-colander set according to the present invention.

[21] Appl. No.: **29/104,977**

FIG. 2 is a front view of the bowl-colander set shown in FIG. 1.

[22] Filed: **May 13, 1999**

FIG. 3 is a left side view of the bowl-colander set shown in FIGS. 1 and 2.

[51] **LOC (7) Cl.** **07-04**

[52] **U.S. Cl.** **D7/667**

FIG. 4 is a bottom view of the bowl-colander set shown in FIGS. 1-3.

[58] **Field of Search** D7/667, 668, 400, D7/538-545; 210/464, 465, 466, 469, 470, 472-474, 482, 497.01, 498

FIG. 5 is a right side view of the bowl-colander set shown in FIGS. 1-4.

[56] **References Cited**

U.S. PATENT DOCUMENTS

D. 353,080	12/1994	Cantereels et al.	D7/667
D. 379,289	5/1997	Jeppesen et al.	D7/667
3,583,455	6/1971	Ostrowsky	241/95

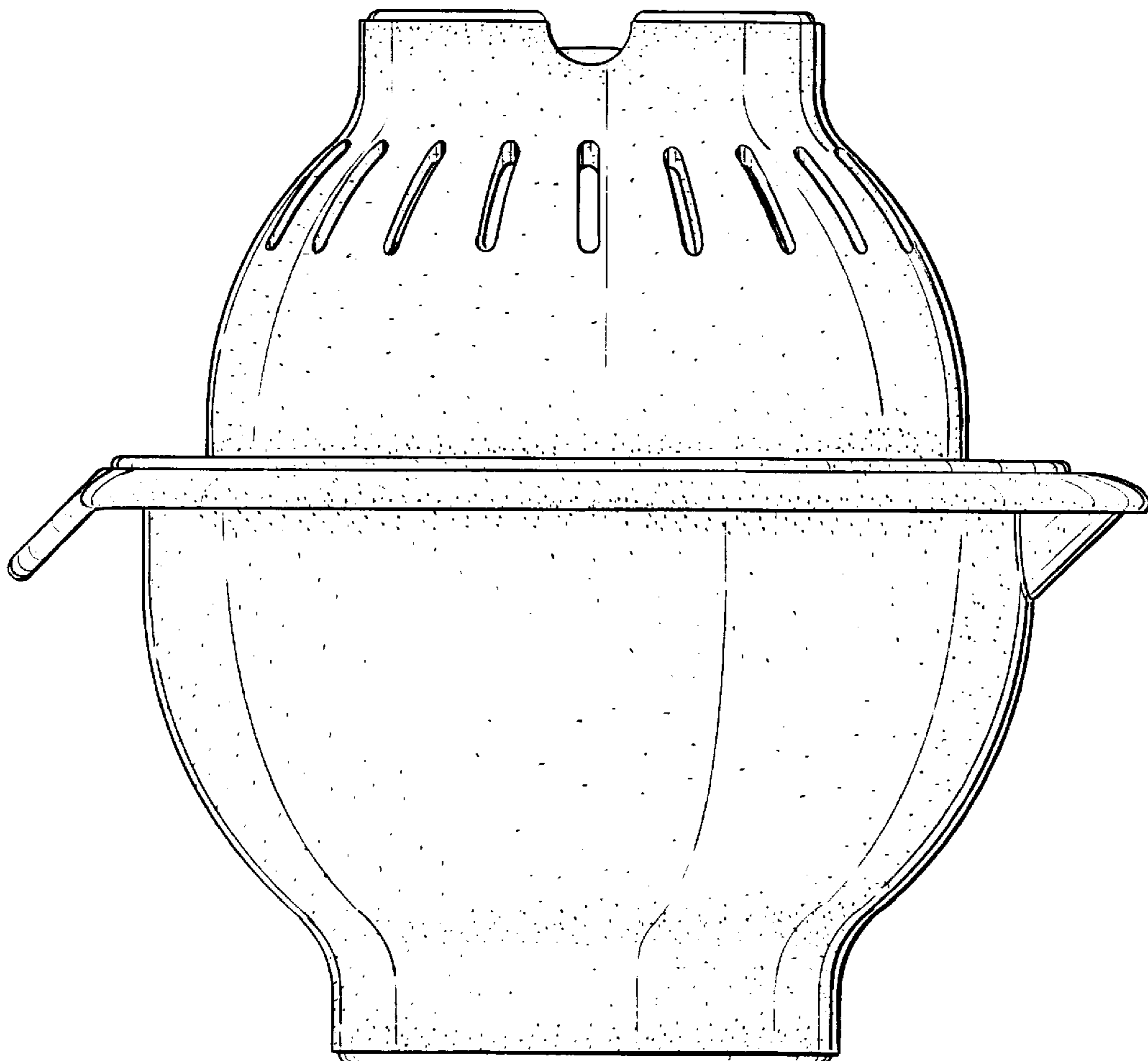
FIG. 6 is a top view of the bowl-colander set with the colander inverted onto the bowl.

FIG. 7 is a front view of the bowl-colander set as shown in FIG. 6, with the colander inverted atop the bowl; and,

FIG. 8 is a left side view of the bowl-colander set as shown in FIGS. 6 and 7 with the colander atop the bowl.

Primary Examiner—Terry A. Wallace

1 Claim, 5 Drawing Sheets



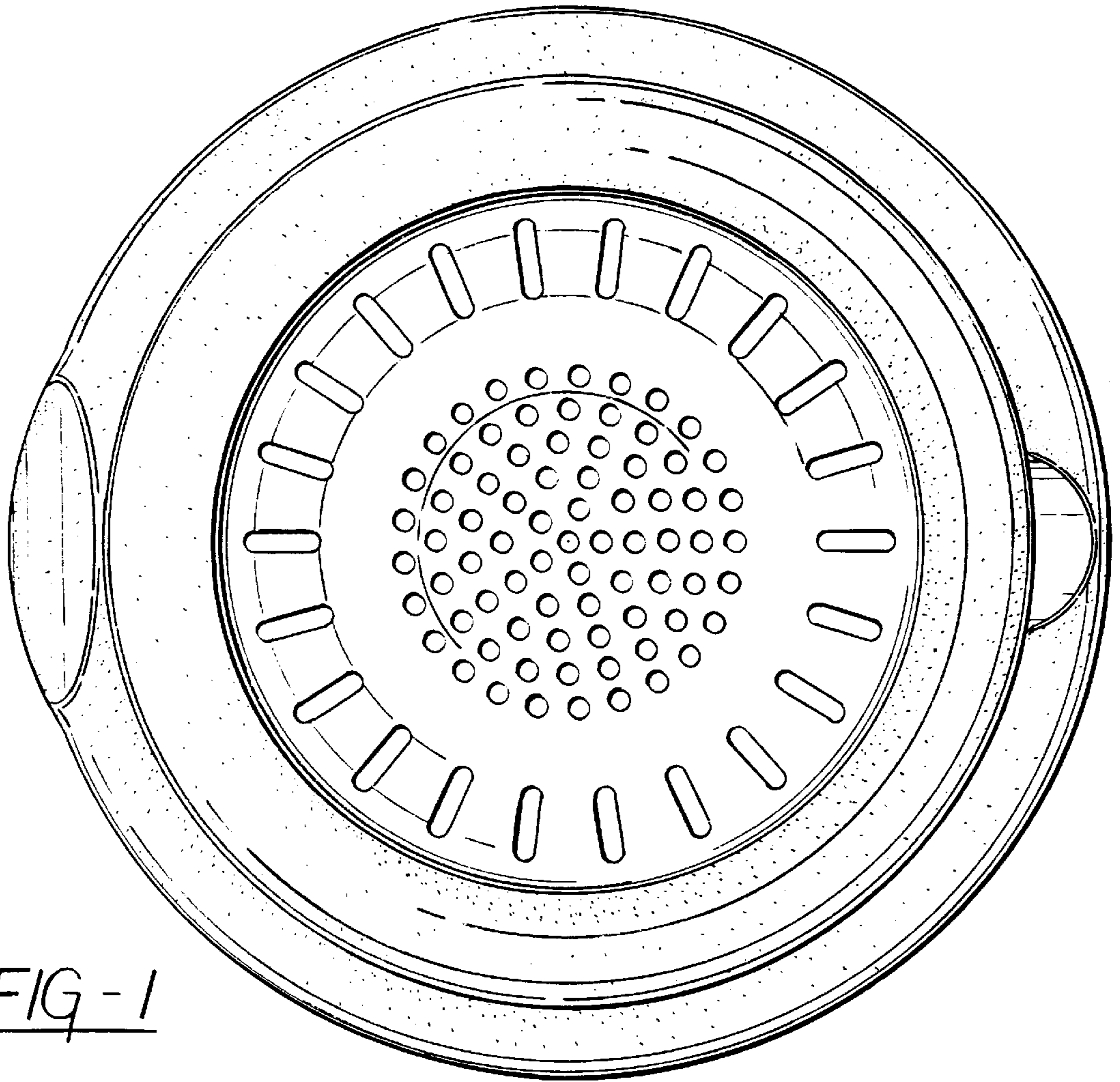


FIG-1

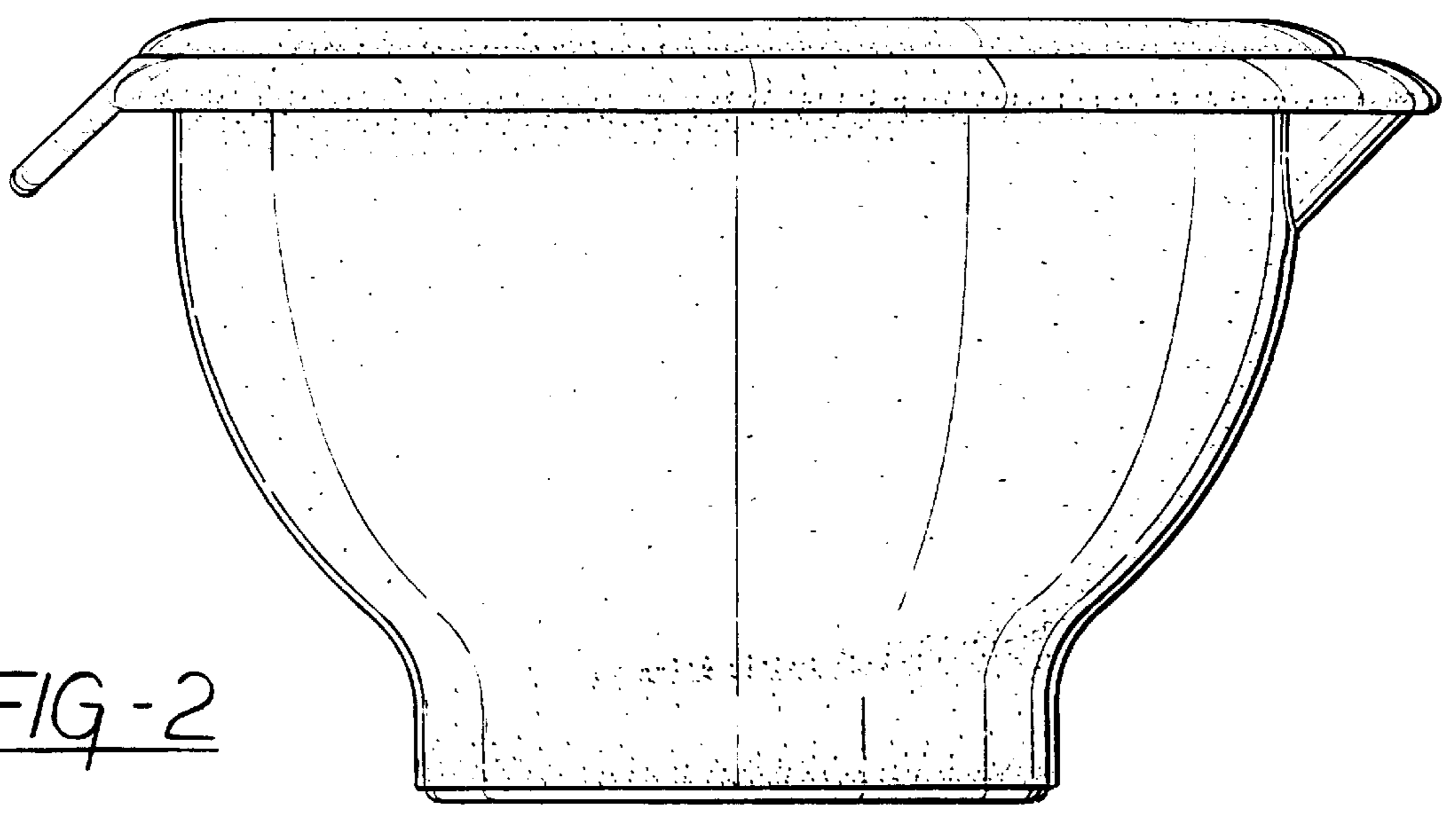


FIG-2

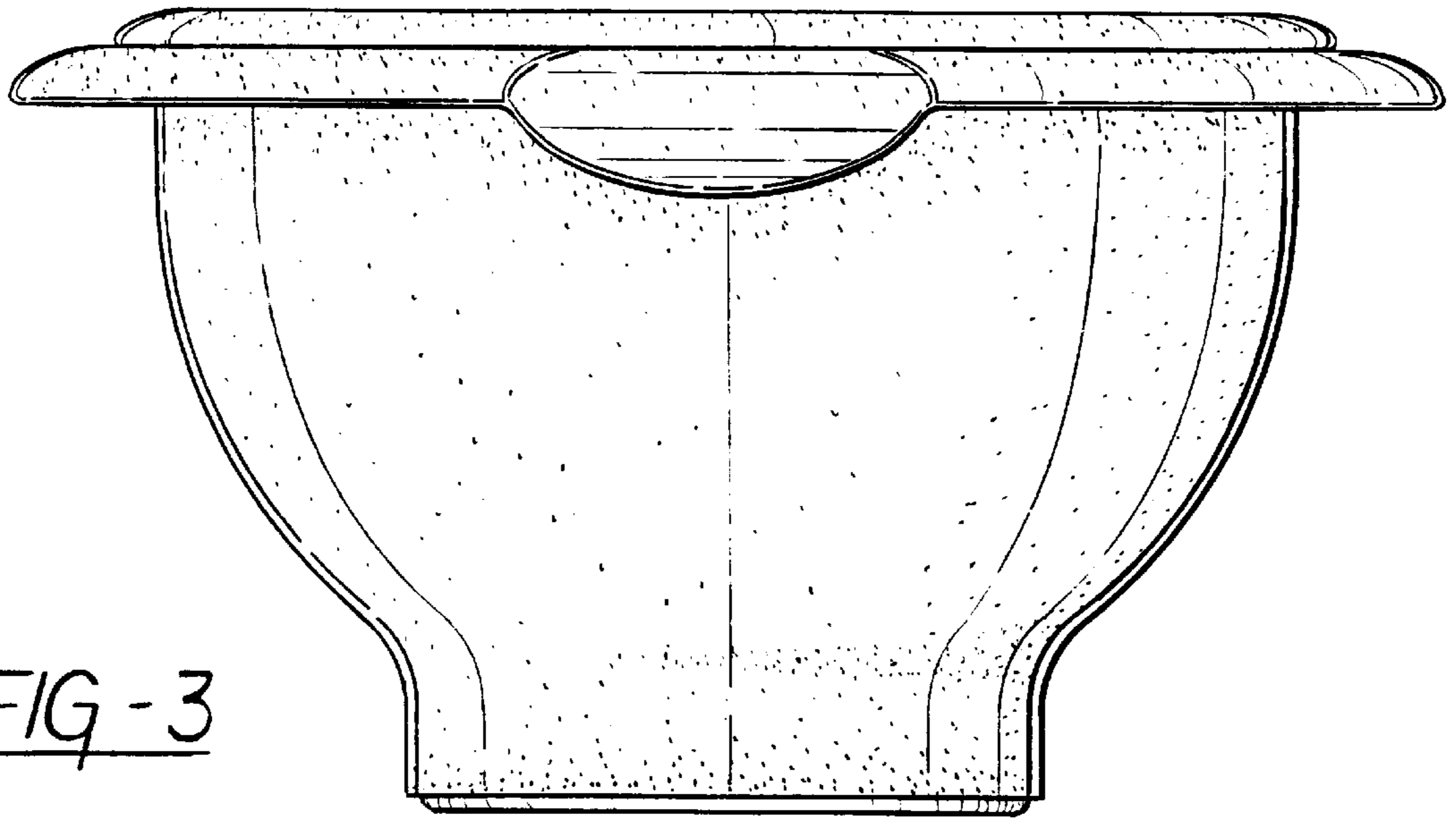


FIG - 3

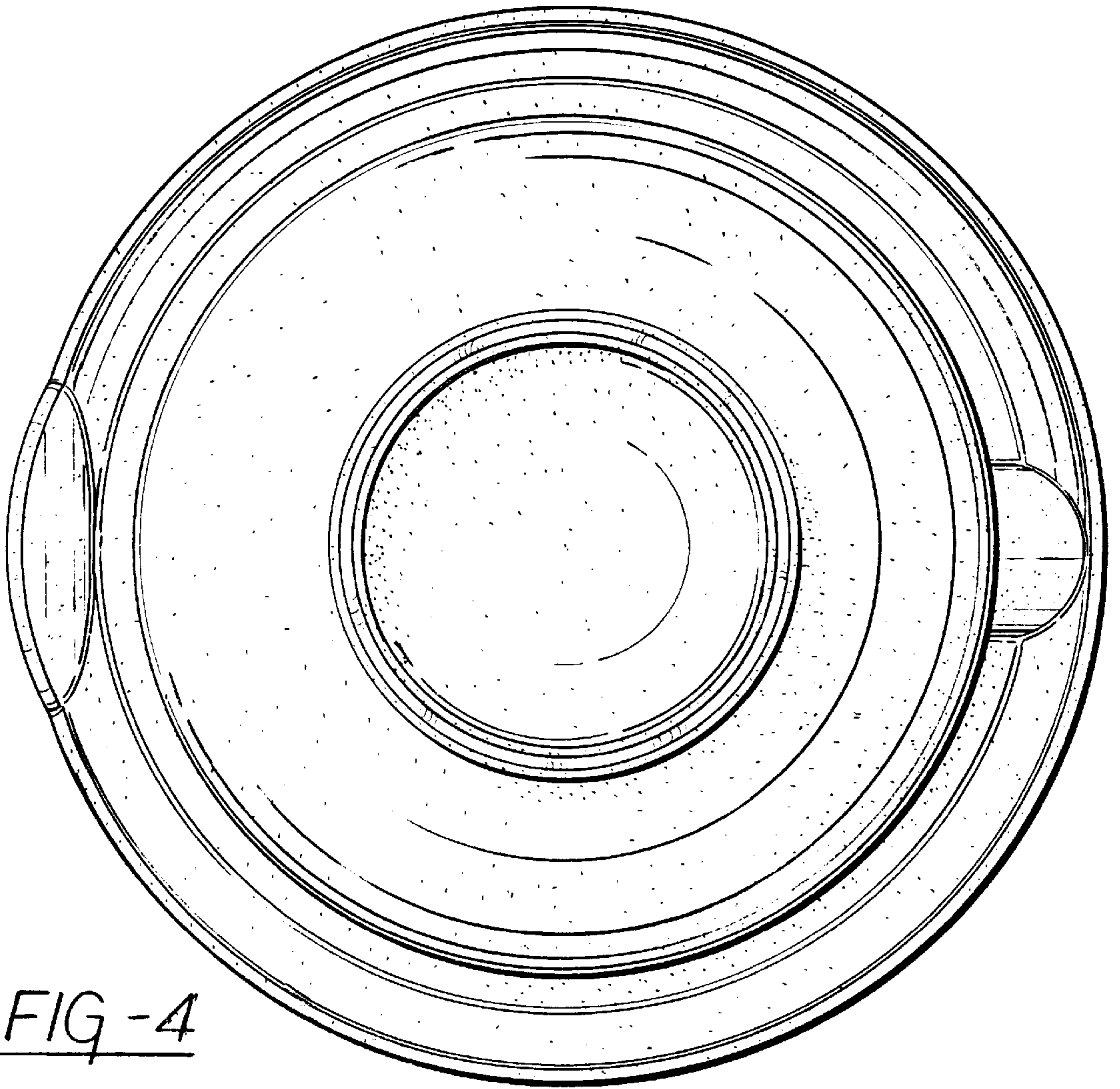


FIG - 4

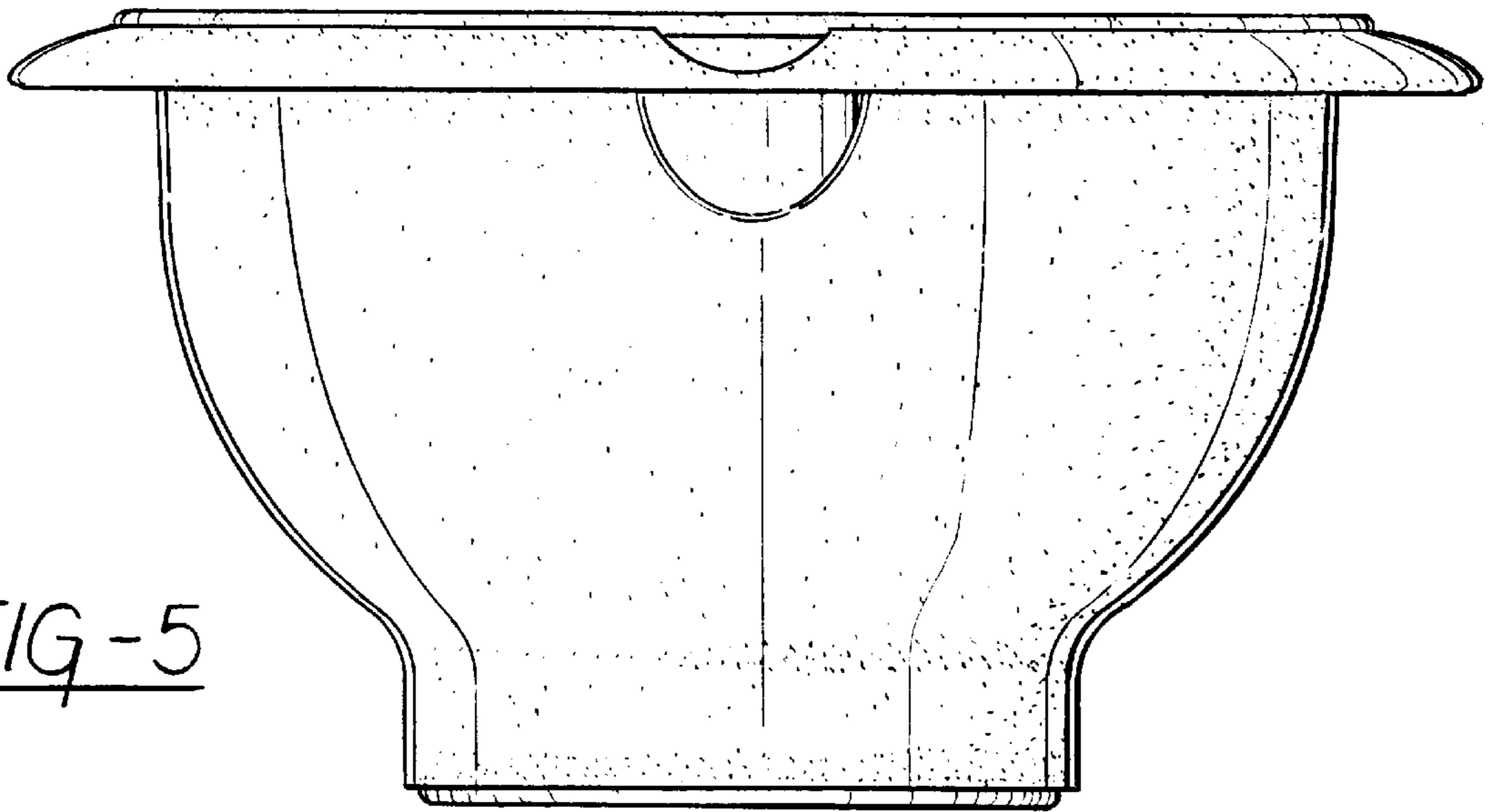


FIG - 5

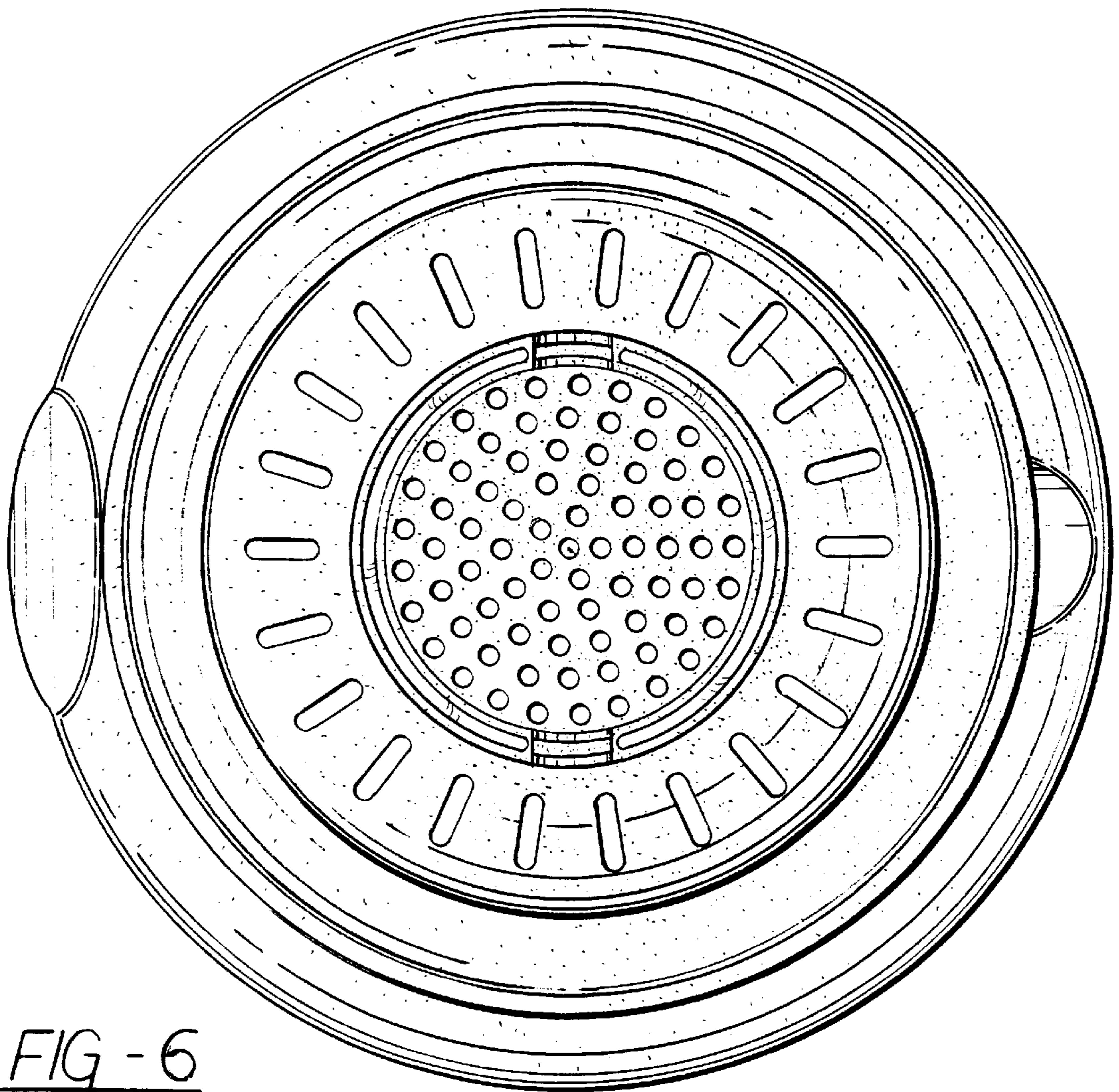


FIG - 6

FIG-7

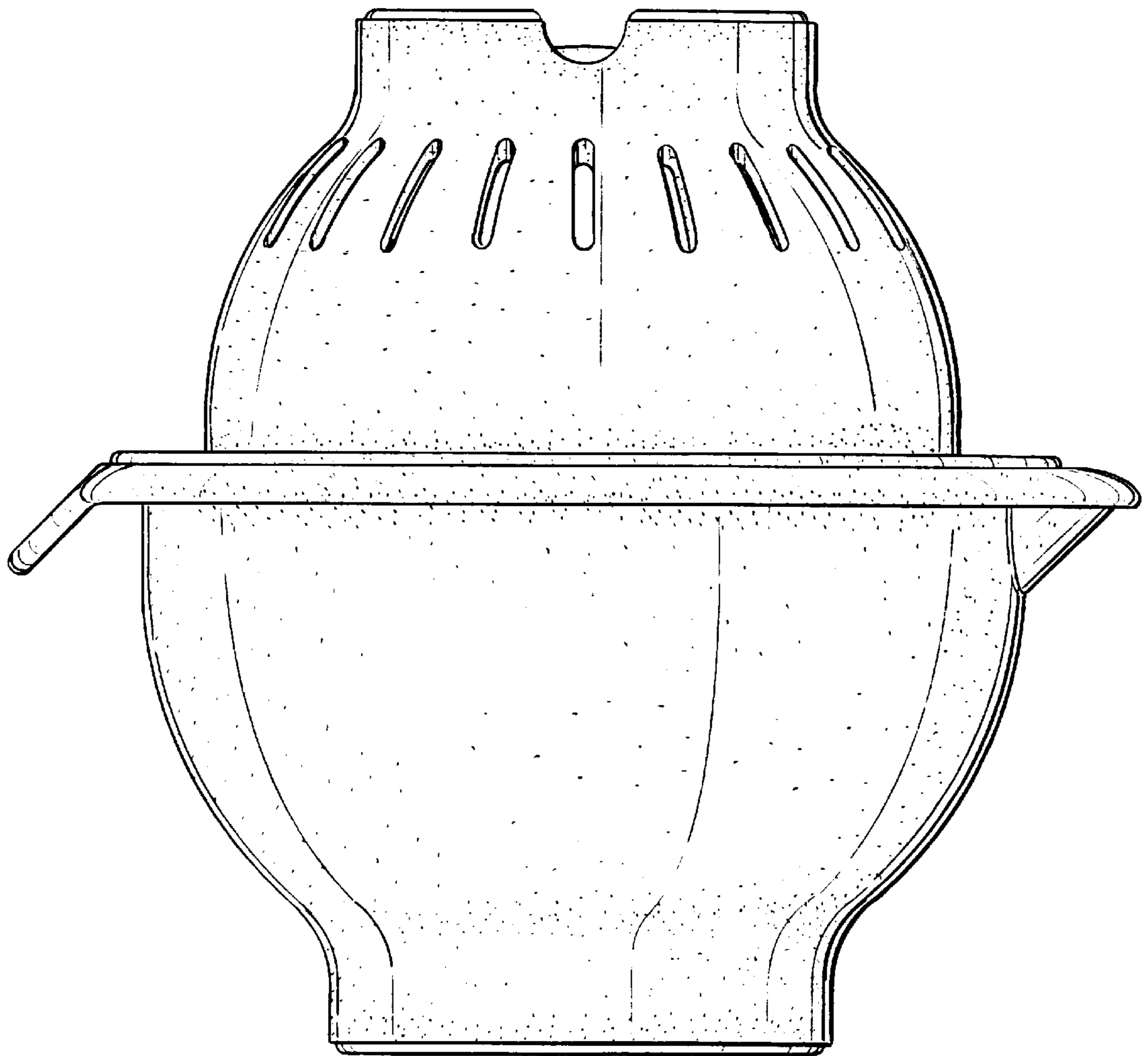


FIG-8

