



US00D424379S

# United States Patent [19] Kim

[11] **Patent Number: Des. 424,379**

[45] **Date of Patent: \*\* May 9, 2000**

## [54] **TRANSPARENT AND PARTITIONED CONTAINER**

[76] Inventor: **Hye Sook Kim**, 448 E. 79th St., Apt. 2F, New York, N.Y. 10021

[\*\*] Term: **14 Years**

[21] Appl. No.: **29/100,578**

[22] Filed: **Feb. 12, 1999**

[51] **LOC (7) Cl.** ..... **09-02**

[52] **U.S. Cl.** ..... **D7/612**

[58] **Field of Search** ..... D7/612-615; D9/341; 215/6; 220/500, 506, 507, 553, 555

### [56] **References Cited**

#### U.S. PATENT DOCUMENTS

D. 289,105	4/1987	Sussman	.....	D7/612 X
D. 329,962	10/1992	Hestehave et al.	.....	D7/612
2,016,488	10/1935	Eckhaus	.....	220/553

#### FOREIGN PATENT DOCUMENTS

79152	2/1918	Switzerland	.....	D7/614 X
-------	--------	-------------	-------	----------

## OTHER PUBLICATIONS

HFD. section 2, Retailing Home Furnishings, Pfaltzgraff canister, Dec. 1979.

Modern Packaging, p. 33, container, top of page, Nov. 1958.

*Primary Examiner*—Terry A. Wallace

## [57] **CLAIM**

The ornamental design for a transparent and partitioned container, substantially as shown and described.

## DESCRIPTION

FIG. 1 is a perspective view of the transparent and partitioned container showing my new design;

FIG. 2 is a front elevational view thereof, the opposite side being a mirror image thereof;

FIG. 3 is a left side elevational view thereof, the opposite side being a mirror image thereof;

FIG. 4 is a top plan view thereof; and,

FIG. 5 is a bottom plan view thereof.

**1 Claim, 2 Drawing Sheets**

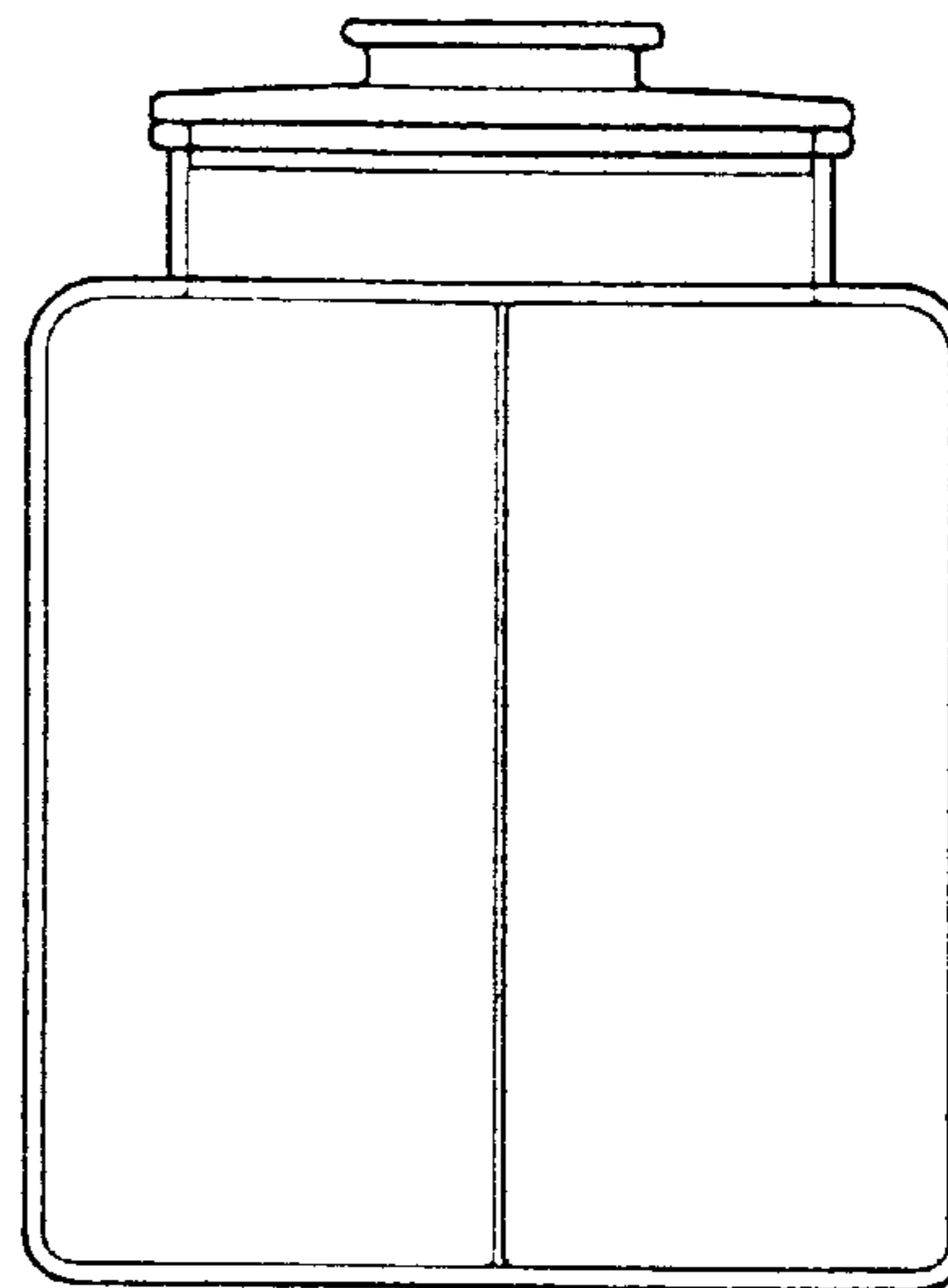
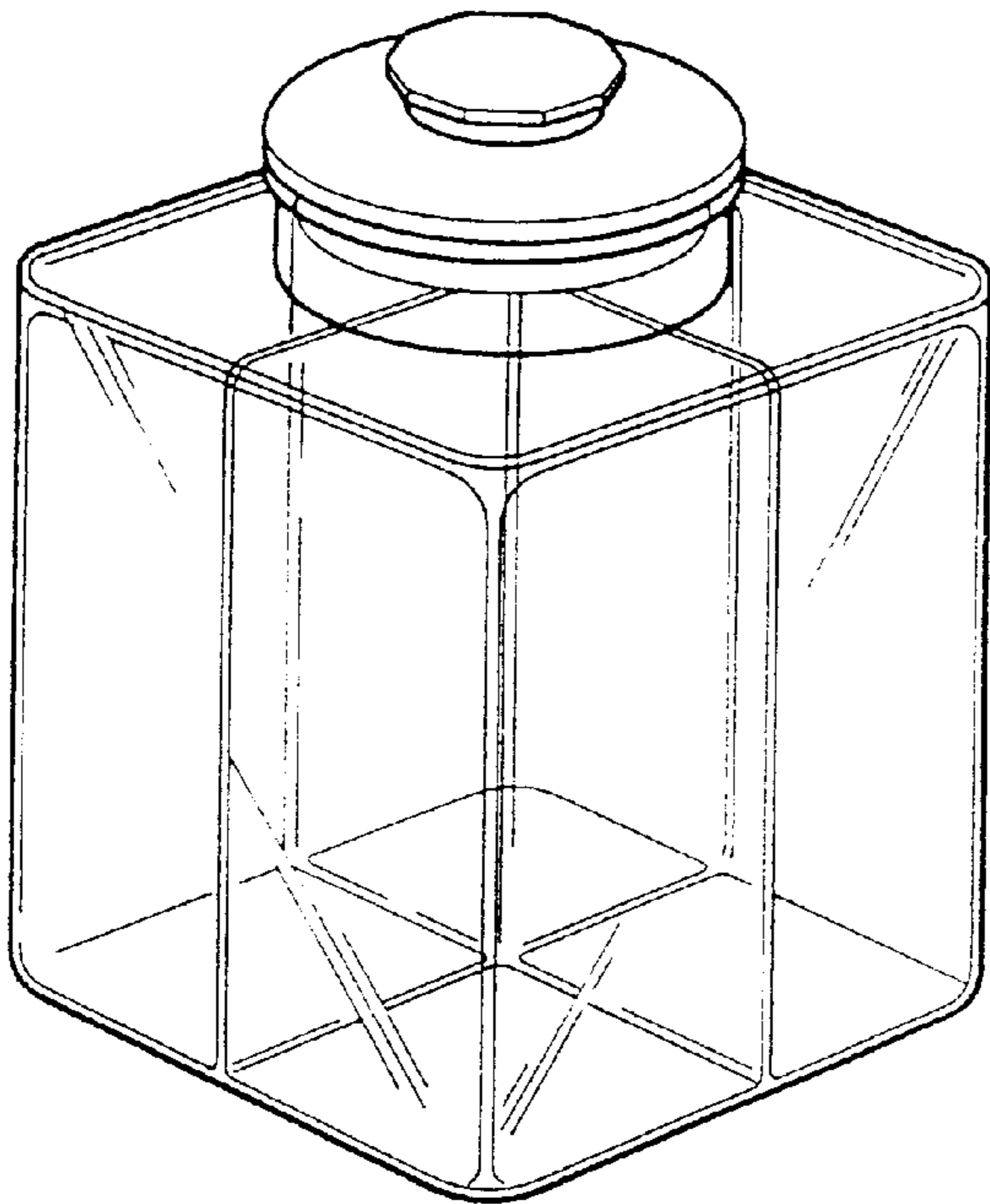


FIG. 1

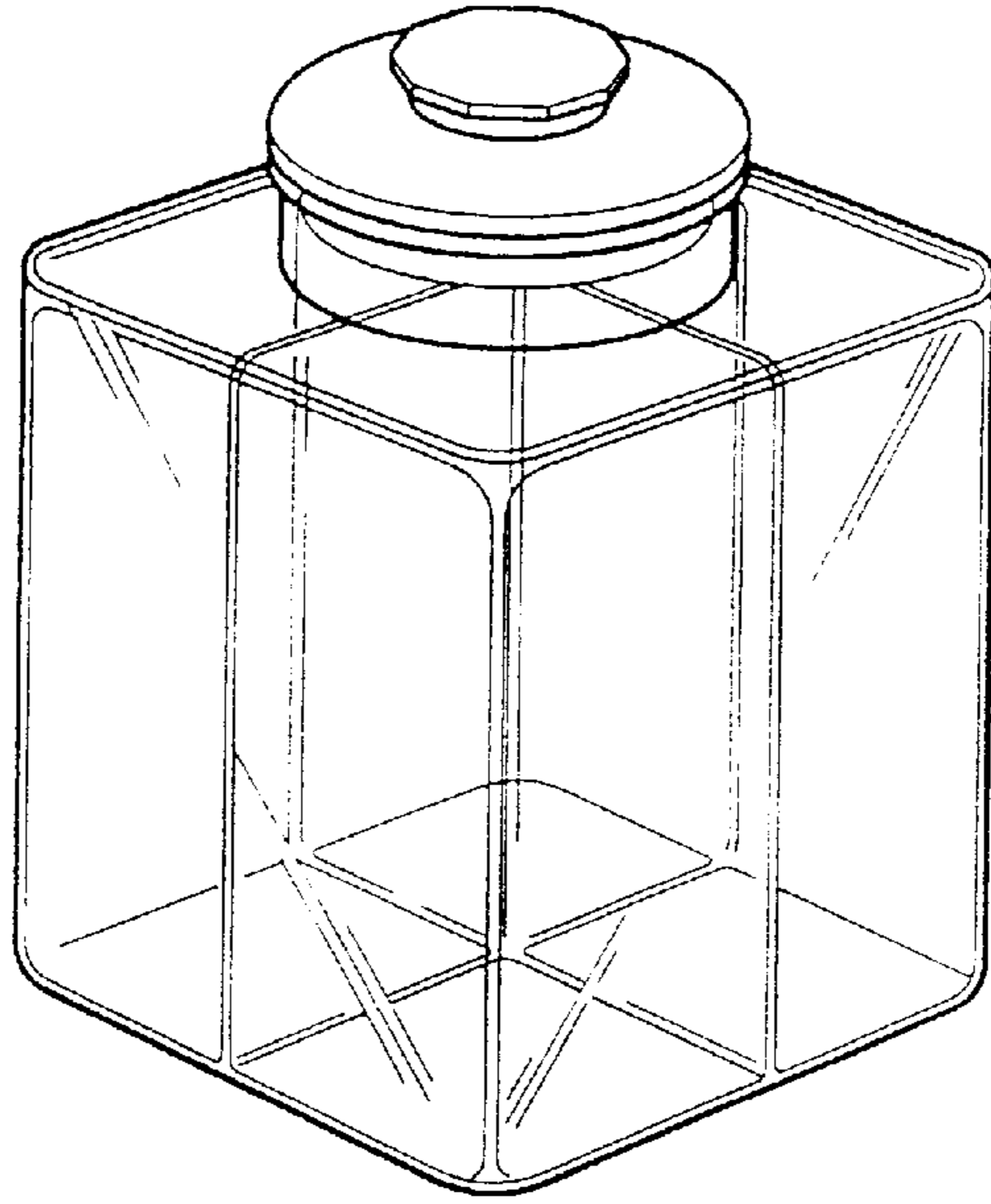


FIG. 2

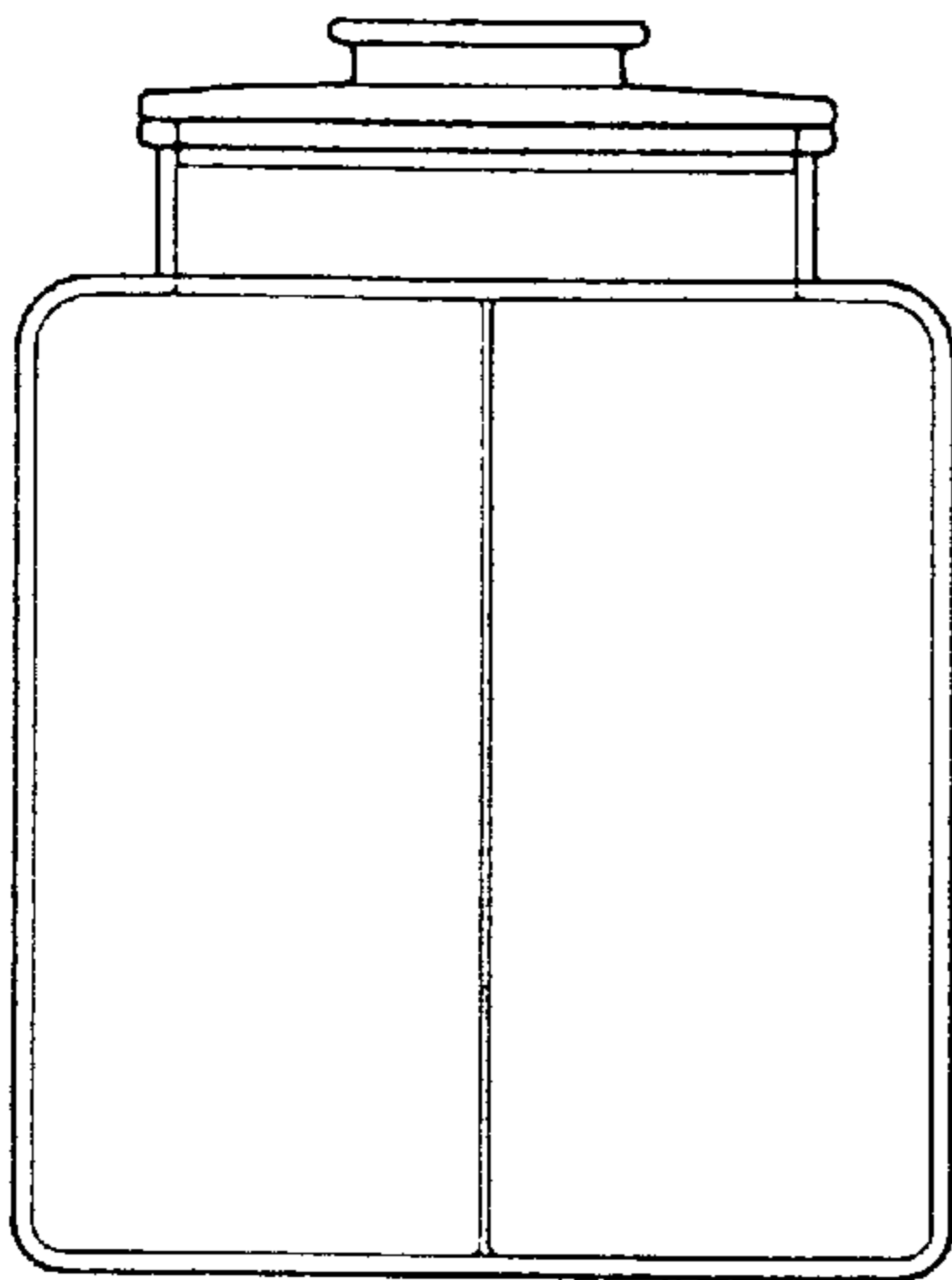


FIG. 3

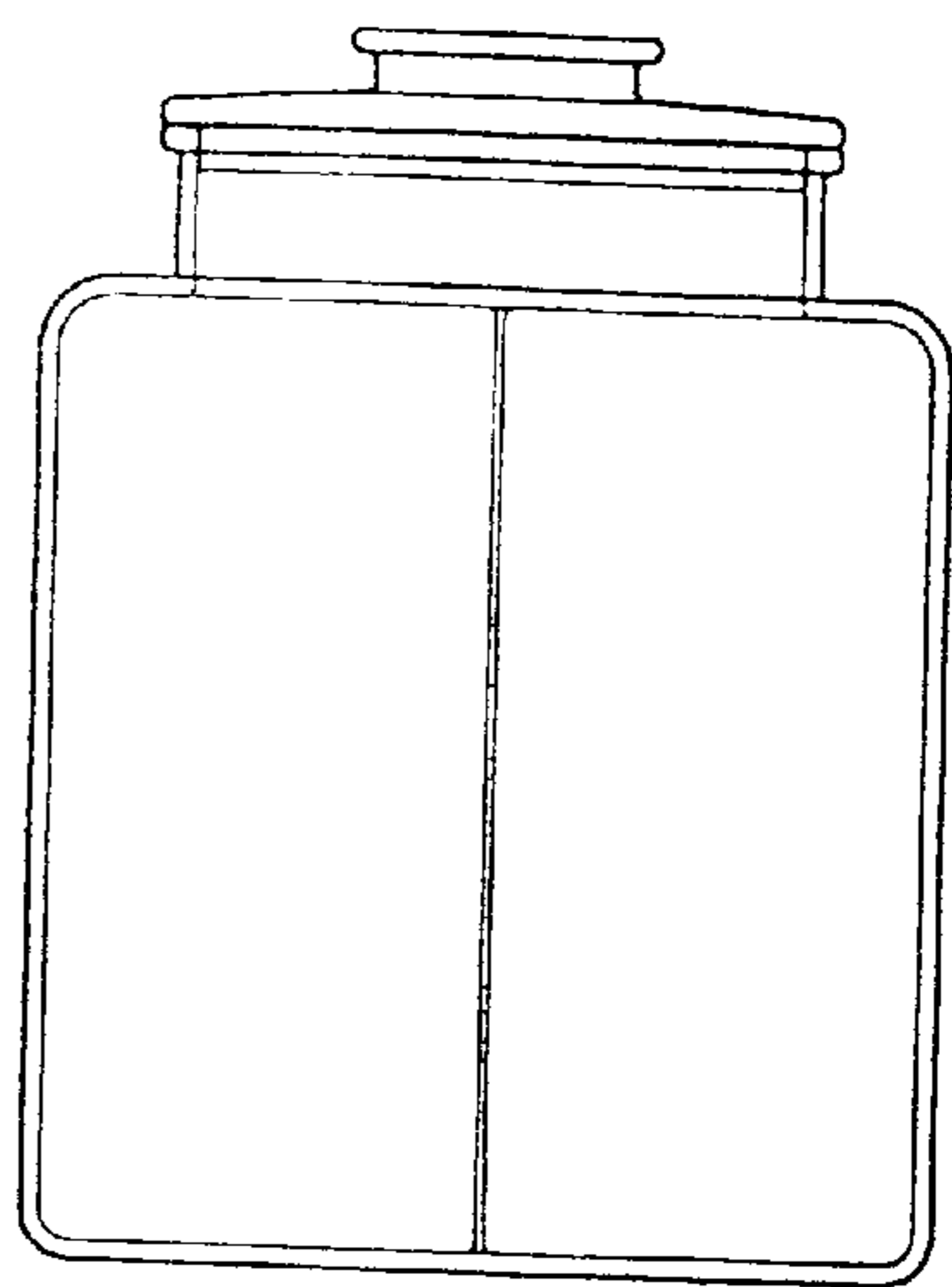


FIG. 4

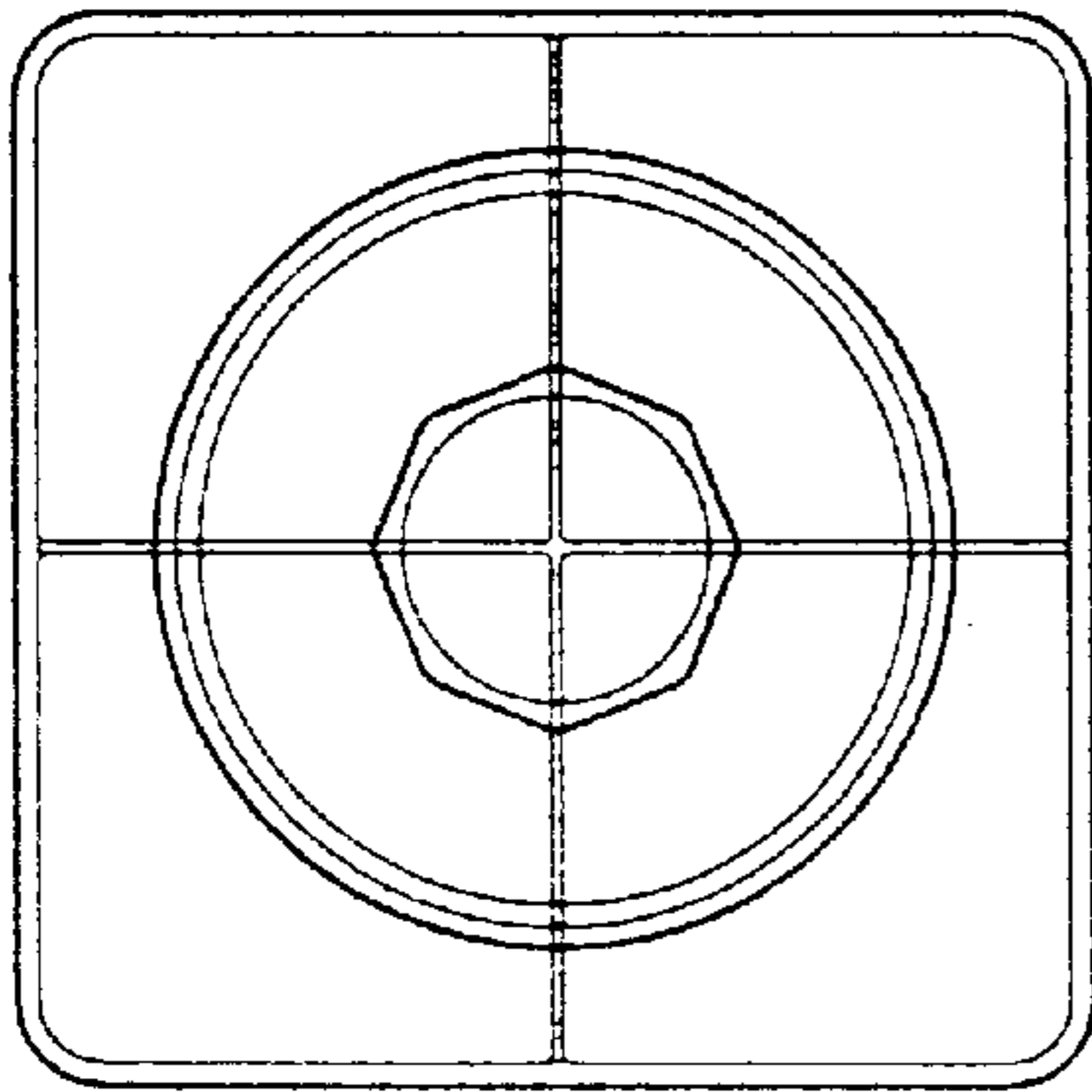


FIG. 5

