



US00D424372S

# United States Patent [19] Chevalier

[11] **Patent Number: Des. 424,372**

[45] **Date of Patent: \*\* May 9, 2000**

[54] **UTILITY LIGHTER**

[75] Inventor: **Jean Francois Chevalier**, Paris, France

[73] Assignee: **Bic Corporation**, Milford, Conn.

[\*\*] Term: **14 Years**

[21] Appl. No.: **29/093,828**

[22] Filed: **Sep. 18, 1998**

[51] **LOC (7) Cl.** ..... **07-99**

[52] **U.S. Cl.** ..... **D7/416**

[58] **Field of Search** ..... D7/416, 417; 126/75 B,  
126/409; 417/411, 239; 431/13, 255, 258;  
D27/159, 131

[56] **References Cited**

**U.S. PATENT DOCUMENTS**

D. 203,349	12/1965	Gross	.....	D48/27
D. 213,518	3/1969	van Poppel	.....	D48/27
D. 258,840	4/1981	Plozner	.....	D27/39
D. 267,820	2/1983	Tomita	.....	D27/42
D. 277,307	1/1985	Zeller et al.	.....	D23/90.1
D. 293,603	1/1988	Matsumaru	.....	D7/416
D. 295,598	5/1988	Takase	.....	D7/416
D. 314,118	1/1991	Lloveras Capilla	.....	D7/416
D. 327,813	7/1992	Shike et al.	.....	D7/416
D. 354,196	1/1995	Inoue	.....	D7/416
D. 360,107	7/1995	Segawa	.....	D7/416
D. 360,557	7/1995	Ono et al.	.....	D7/416
D. 364,778	12/1995	Choi	.....	D7/416
D. 365,726	1/1996	Hsu	.....	D7/416
D. 377,736	2/1997	Iwagaki et al.	.....	D7/416
D. 379,415	5/1997	Mindle	.....	D7/416
D. 382,441	8/1997	Ferrara, Jr.	.....	D7/416
D. 382,442	8/1997	Ferrara, jr.	.....	D7/416
D. 382,443	8/1997	Ferrara, Jr.	.....	D7/416
D. 382,444	8/1997	Ferrara, Jr.	.....	D7/416
D. 383,357	9/1997	Ferrara, jr.	.....	D7/416
D. 386,045	11/1997	Ferrara, Jr.	.....	D7/416
D. 389,699	1/1998	Hsu	.....	D7/416
D. 390,749	2/1998	Ferrara, Jr.	.....	D7/416
D. 390,750	2/1998	Sung	.....	D7/416
D. 392,154	3/1998	Ferrara, Jr.	.....	D7/416
D. 393,396	4/1998	Ferrara, Jr.	.....	D7/416

D. 407,945	4/1999	Moran, IV	.....	D7/416
D. 410,363	6/1999	Tubby et al.	.....	D7/416
910,913	1/1909	Raymond .		
3,520,647	7/1970	Van Poppel	.....	431/254
3,947,731	3/1976	Vainer	.....	317/81
4,222,734	9/1980	Nolf	.....	431/156
4,253,818	3/1981	Ogawa et al.	.....	431/142
4,253,820	3/1981	Jarreau	.....	431/344
4,259,059	3/1981	Roosa et al.	.....	431/254
4,273,528	6/1981	Göbelt	.....	431/255

(List continued on next page.)

**FOREIGN PATENT DOCUMENTS**

DM/034 00	7/1995	France	.....	27/5
-----------	--------	--------	-------	------

*Primary Examiner*—M. N. Pandozzi

*Attorney, Agent, or Firm*—Pennie & Edmonds LLP

[57] **CLAIM**

The ornamental design for a utility lighter, as shown and described.

**DESCRIPTION**

FIG. 1 is a perspective view of a utility lighter according to the present invention;

FIG. 2 is a top plan view thereof;

FIG. 3 is a right side elevational view, the left side elevational view being a mirror image thereof;

FIG. 4 is a front elevational view thereof;

FIG. 5 is a rear elevational view thereof;

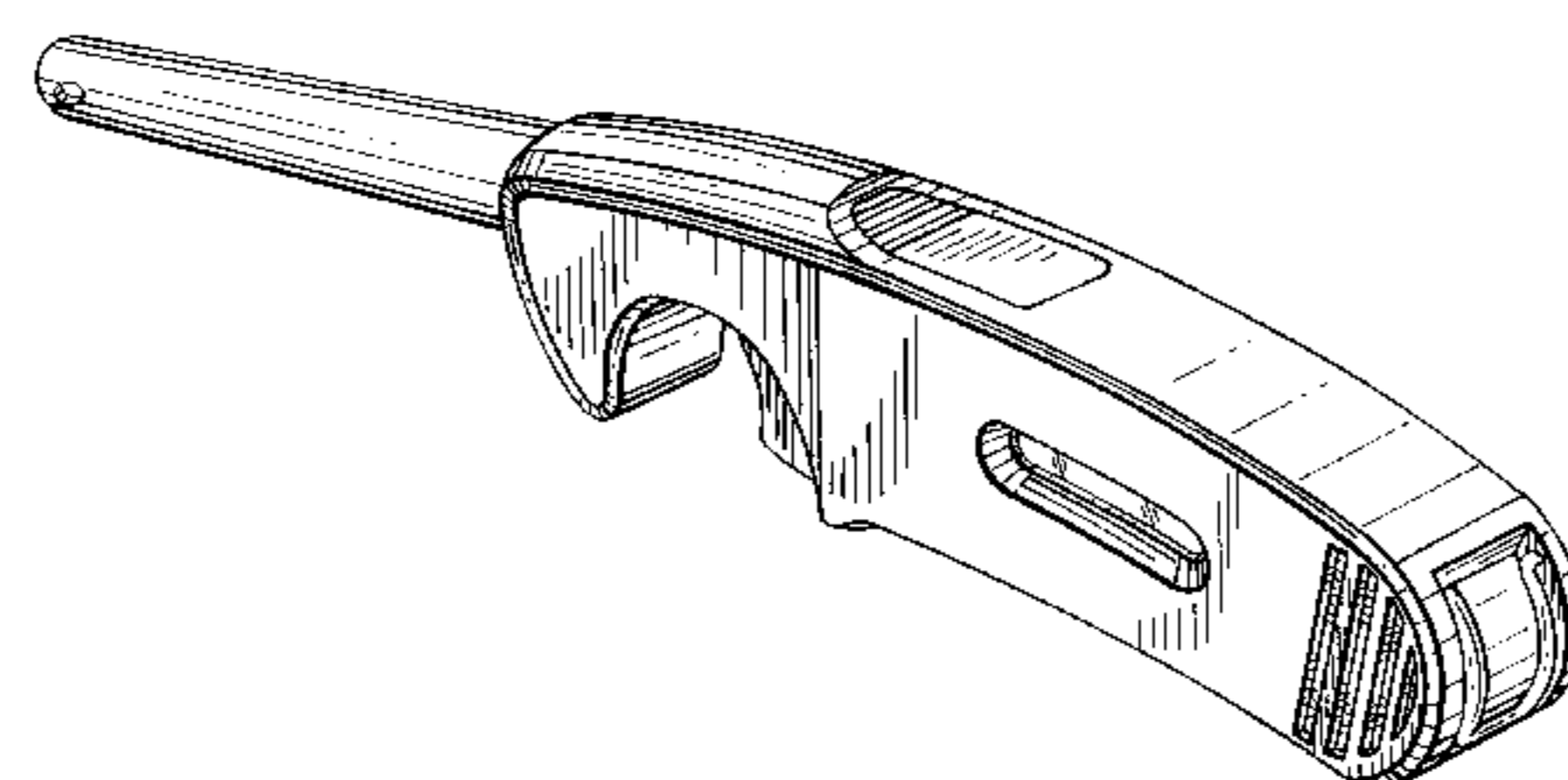
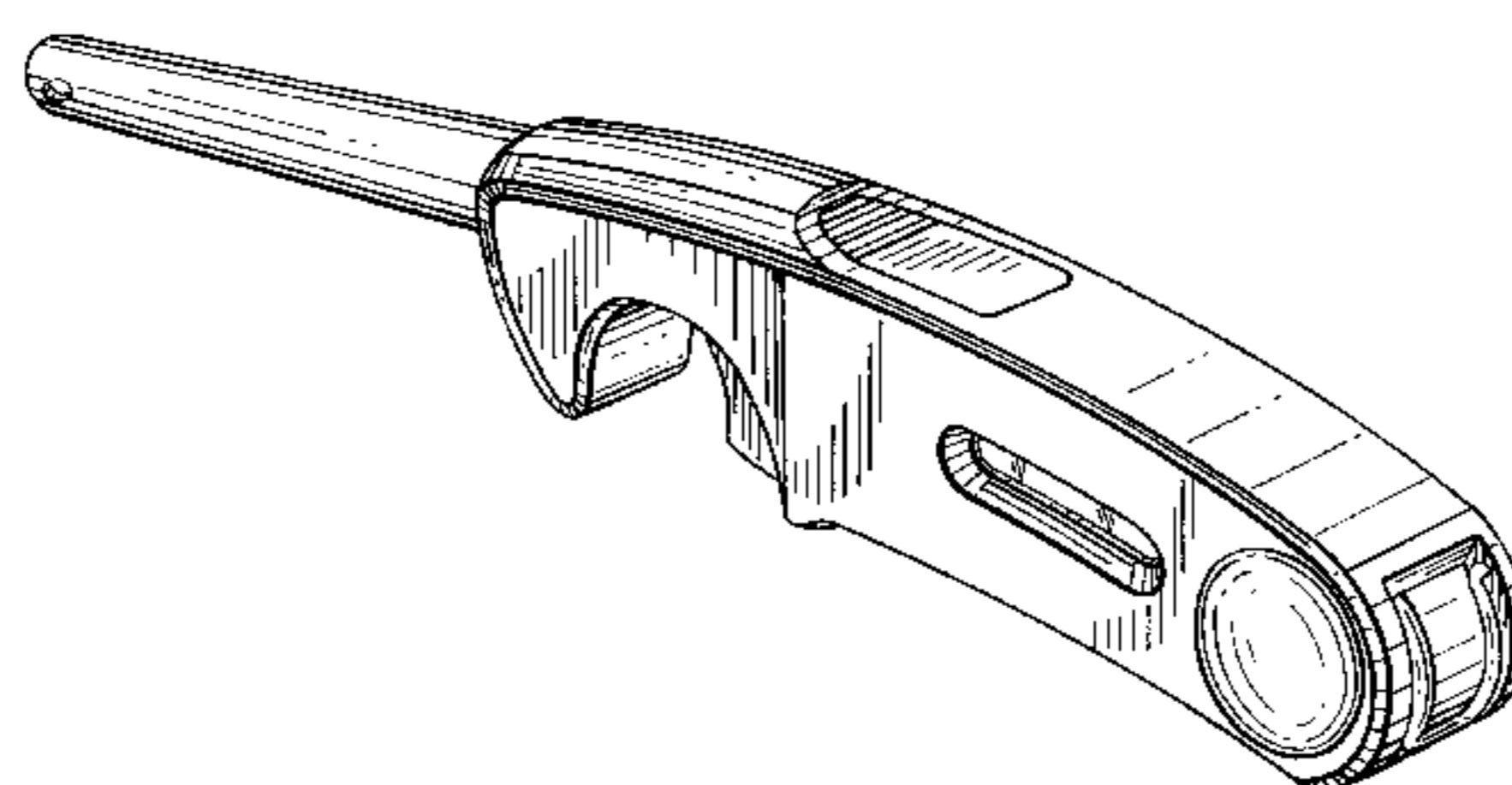
FIG. 6 is a bottom plan view thereof;

FIG. 7 is a rear side perspective view of a utility lighter showing a second embodiment of my new design, all other sides being the same as the first embodiment except that the right is a mirror image of the left;

FIG. 8 is a rear side perspective view of a utility lighter showing a third embodiment of my new design, all other sides being the same as the first embodiment except that the right is a mirror image of the left; and,

FIG. 9 is a rear side perspective view of a utility lighter showing a fourth embodiment of my new design, all other sides being the same as the first embodiment except that the right is a mirror image of the left.

**1 Claim, 6 Drawing Sheets**



# Des. 424,372

Page 2

---

## U.S. PATENT DOCUMENTS

4,292,021	9/1981	Miyagawa .....	431/13	4,810,173	3/1989	Thomson et al. ....	417/411
4,315,731	2/1982	Moore .....	431/254	5,135,388	8/1992	Pettit .....	431/254
4,502,465	3/1985	Yoshinaga et al. ....	126/409	5,154,601	10/1992	Lloveras Capilla .....	431/255
4,538,983	9/1985	Zeller et al. ....	431/255	5,199,865	4/1993	Liang .....	431/255
				5,326,256	7/1994	Shike et al. ....	431/255

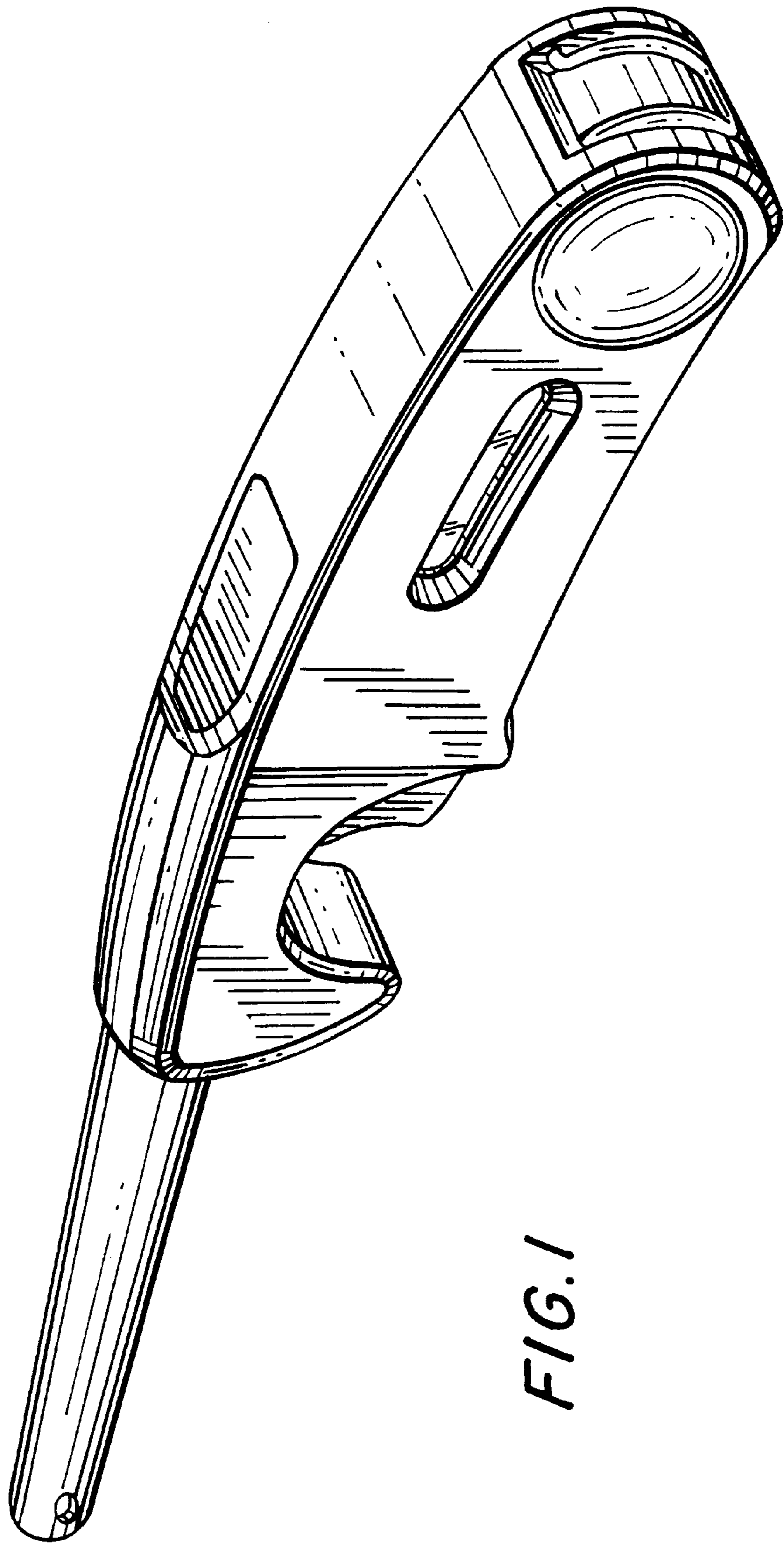


FIG. 1

FIG. 2

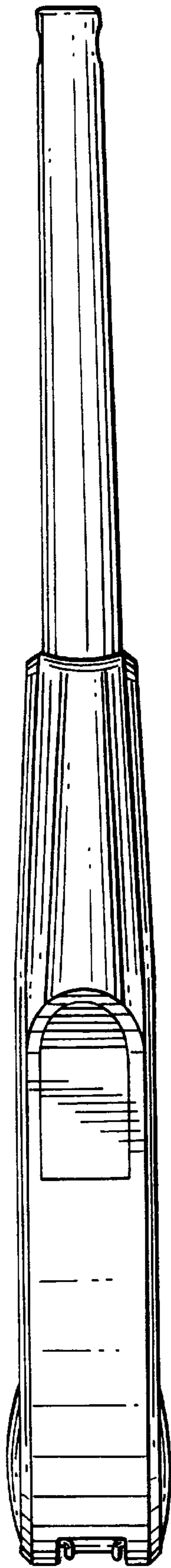
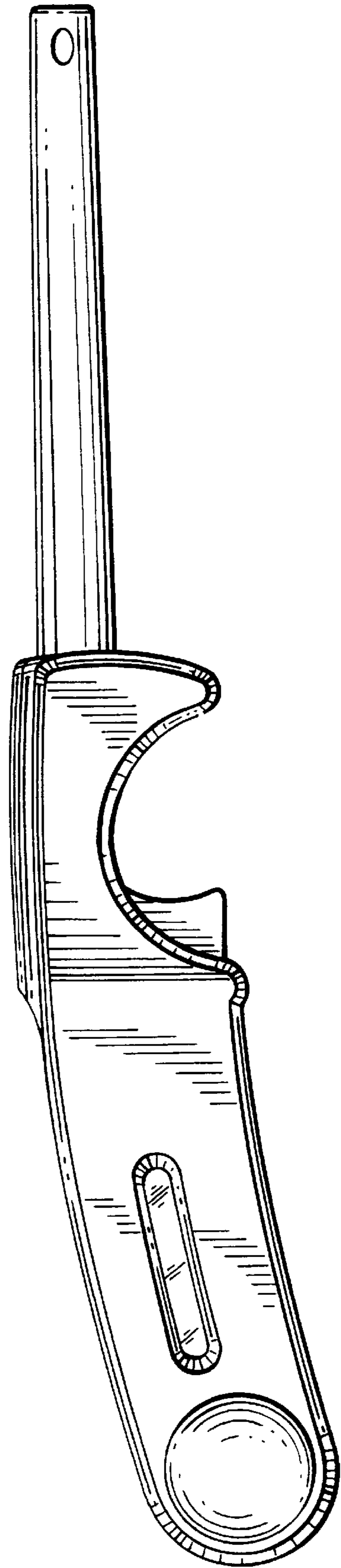


FIG. 3



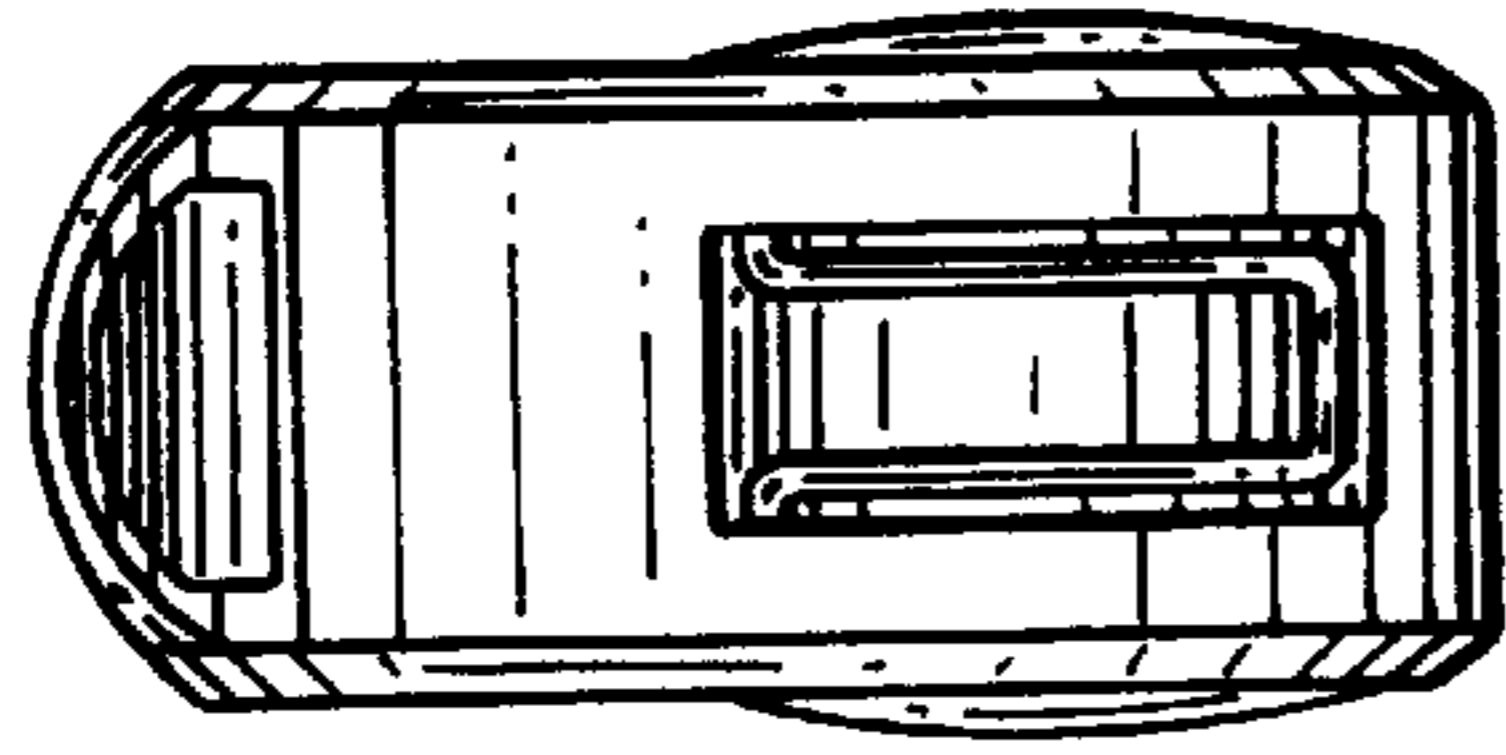


FIG. 5

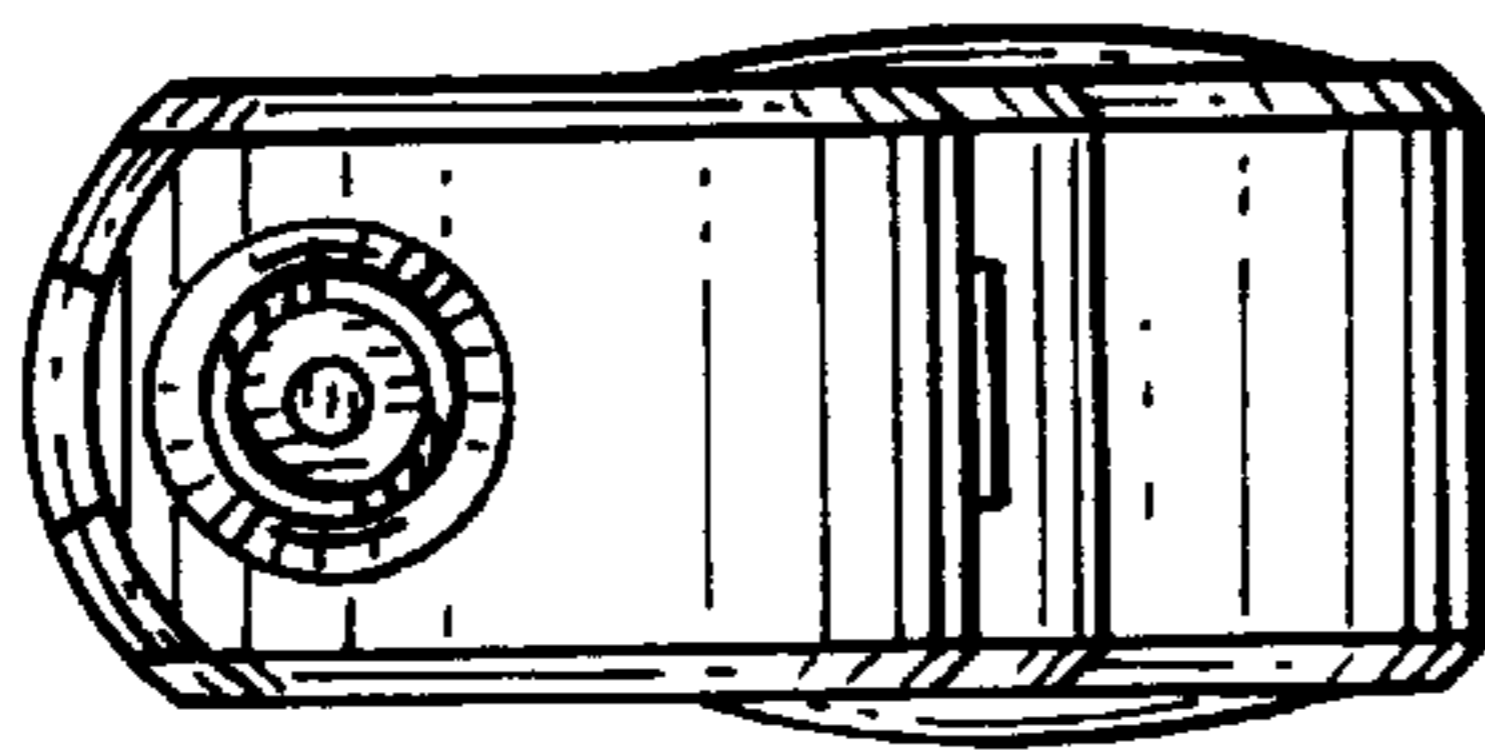


FIG. 4

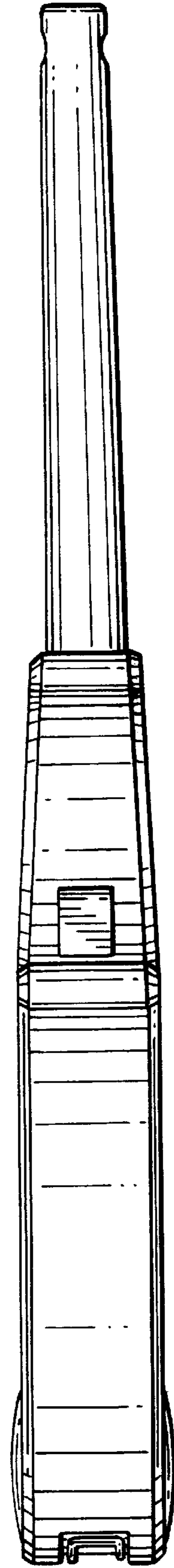


FIG. 6

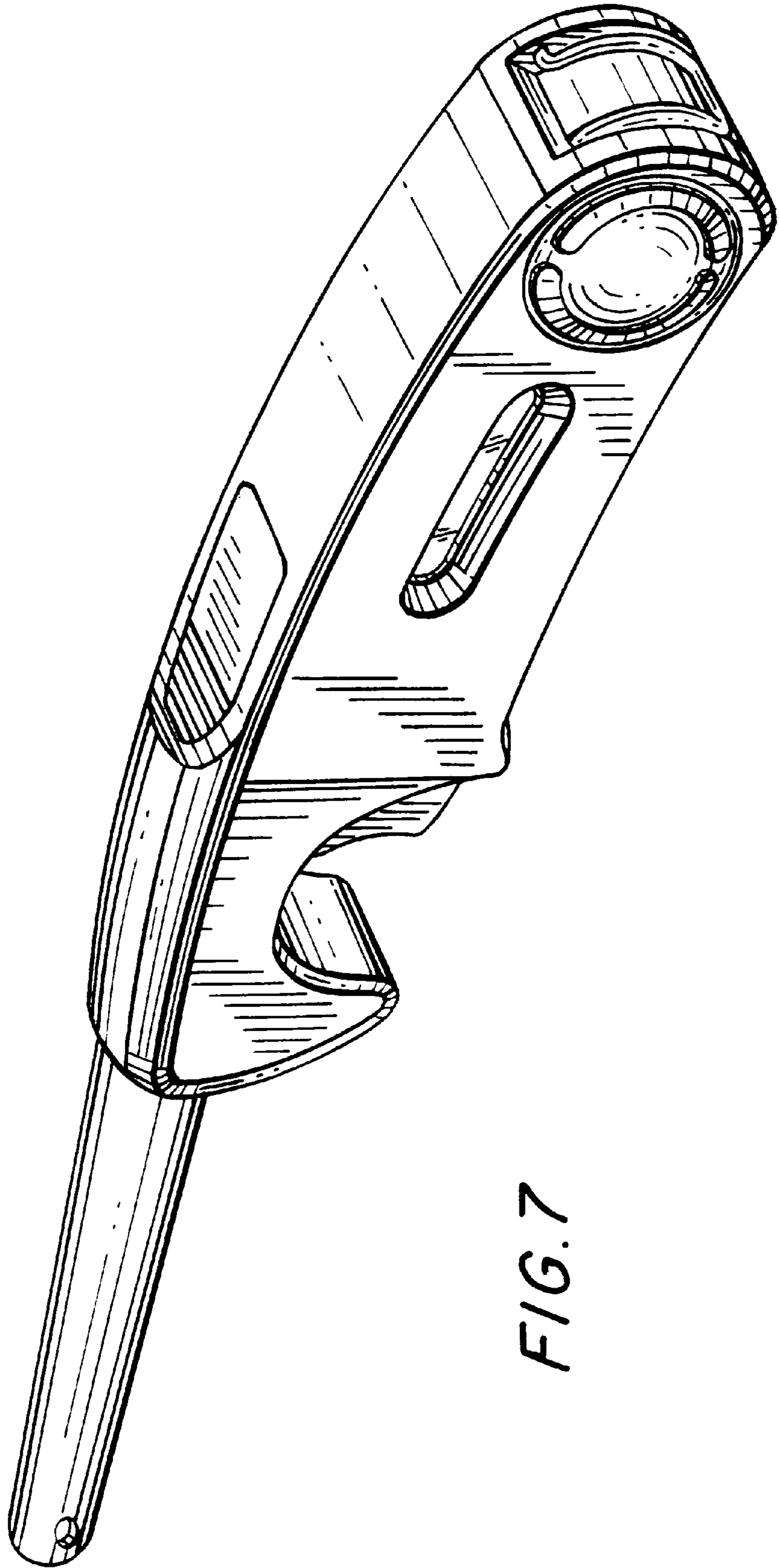


FIG. 7

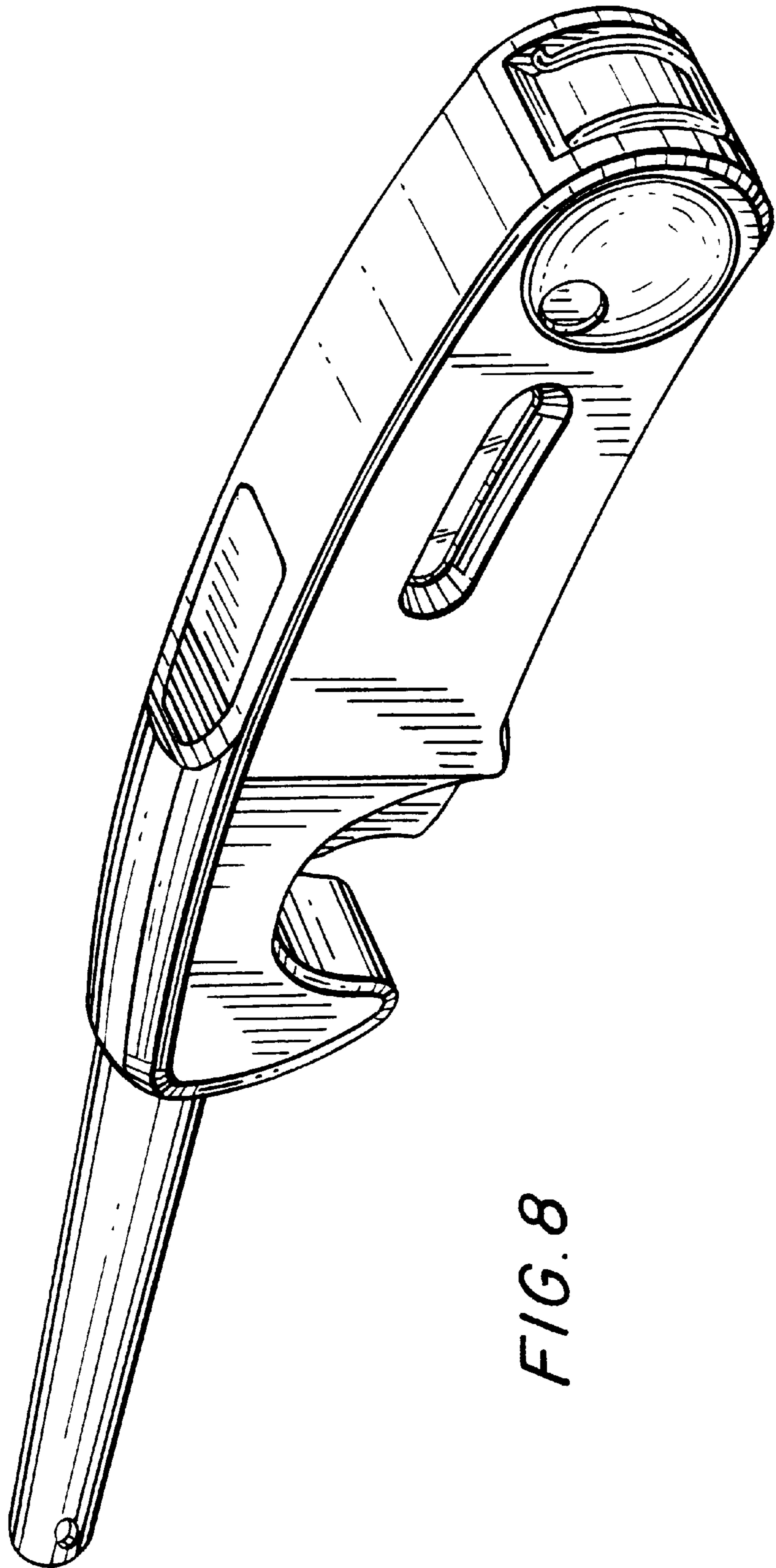


FIG. 8

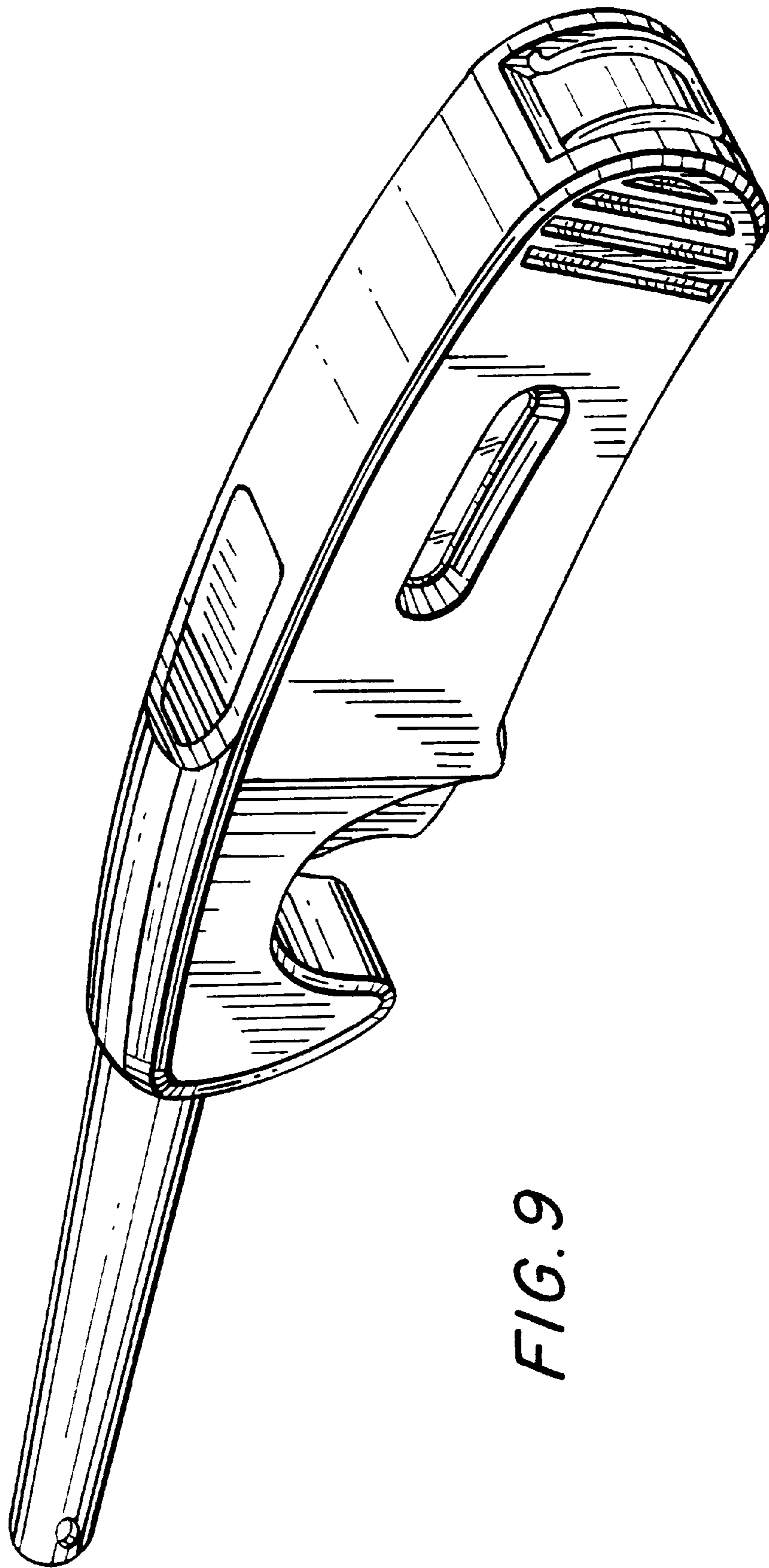


FIG. 9