



US00D424366S

**United States Patent** [19]  
**Blaise**

[11] **Patent Number: Des. 424,366**

[45] **Date of Patent: \*\* May 9, 2000**

[54] **ELECTRIC DEEP FAT FRYER**

D. 374,588 10/1996 Federico ..... D7/354  
D. 397,579 9/1998 Wu Chang ..... D7/350

[75] Inventor: **Nicolas Blaise**, Caen, France

*Primary Examiner*—Caron D. Veynar  
*Attorney, Agent, or Firm*—Young & Thompson

[73] Assignee: **Moulinex S.A.**, Cormelles-le-Royal, France

[\*\*] Term: **14 Years**

[57] **CLAIM**

The ornamental design for an electric deep fat fryer, as shown.

[21] Appl. No.: **29/103,529**

[22] Filed: **Apr. 15, 1999**

**DESCRIPTION**

[30] **Foreign Application Priority Data**

Oct. 15, 1998 [FR] France ..... 98/6001

FIG. 1 is a top, front and side perspective view of an electric deep fat fryer, showing my new design;

[51] **LOC (7) Cl.** ..... **07-02**

FIG. 2 is a front elevational view thereof;

[52] **U.S. Cl.** ..... **D7/354**

FIG. 3 is a side elevational view thereof from the left of FIG. 2;

[58] **Field of Search** ..... D7/323, 354, 350;  
126/19 M, 21 A, 21 R, 275 R, 275 E; 99/341,  
348, 359, 467, 468; 219/391, 400, 402

FIG. 4 is a side elevational view thereof from the right of FIG. 2;

FIG. 5 is a rear elevational view thereof;

[56] **References Cited**

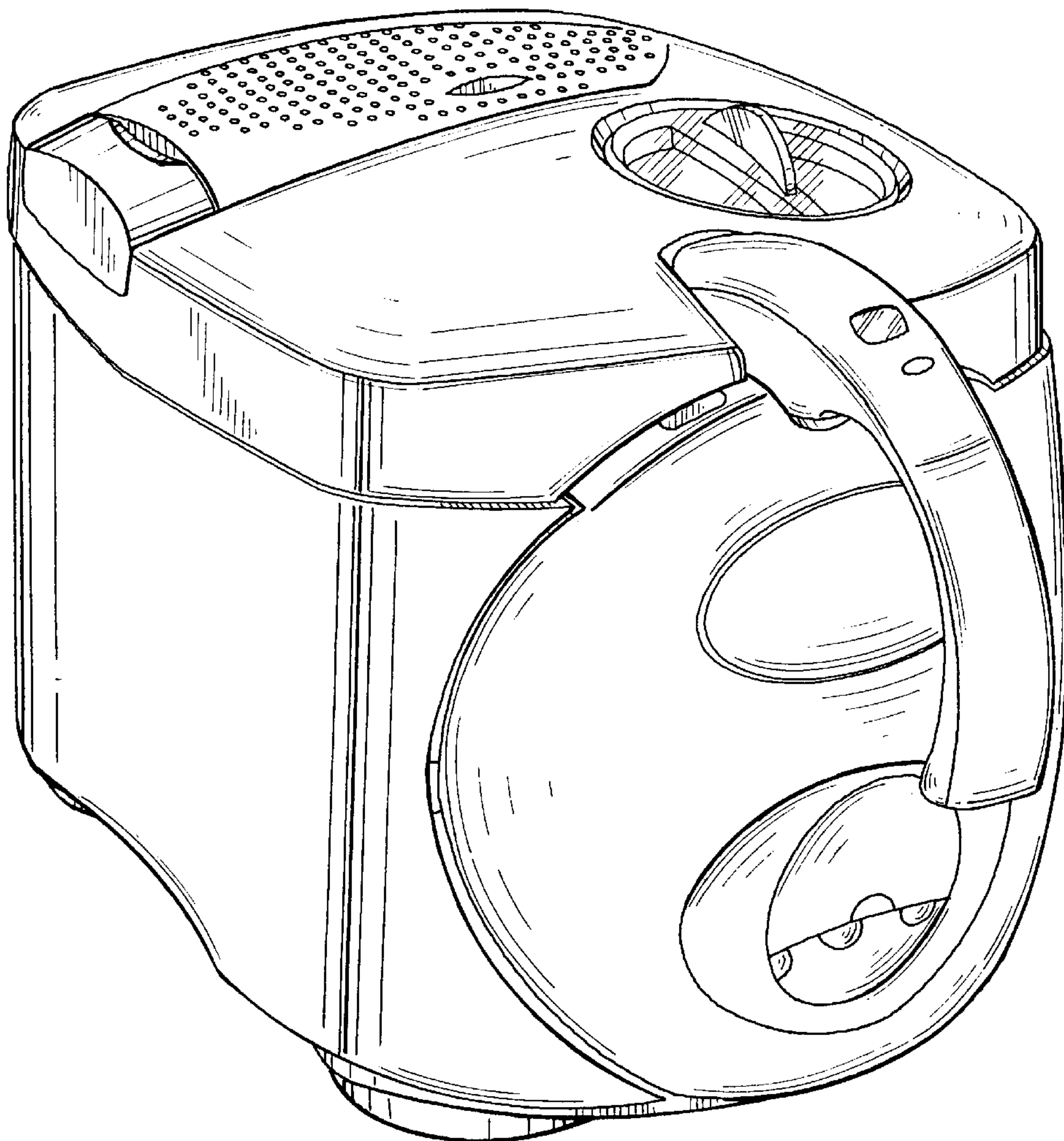
FIG. 6 is a top plan view thereof; and,

FIG. 7 is a bottom plan view thereof.

**U.S. PATENT DOCUMENTS**

D. 347,353 5/1994 Piret et al. .... D7/354

**1 Claim, 7 Drawing Sheets**



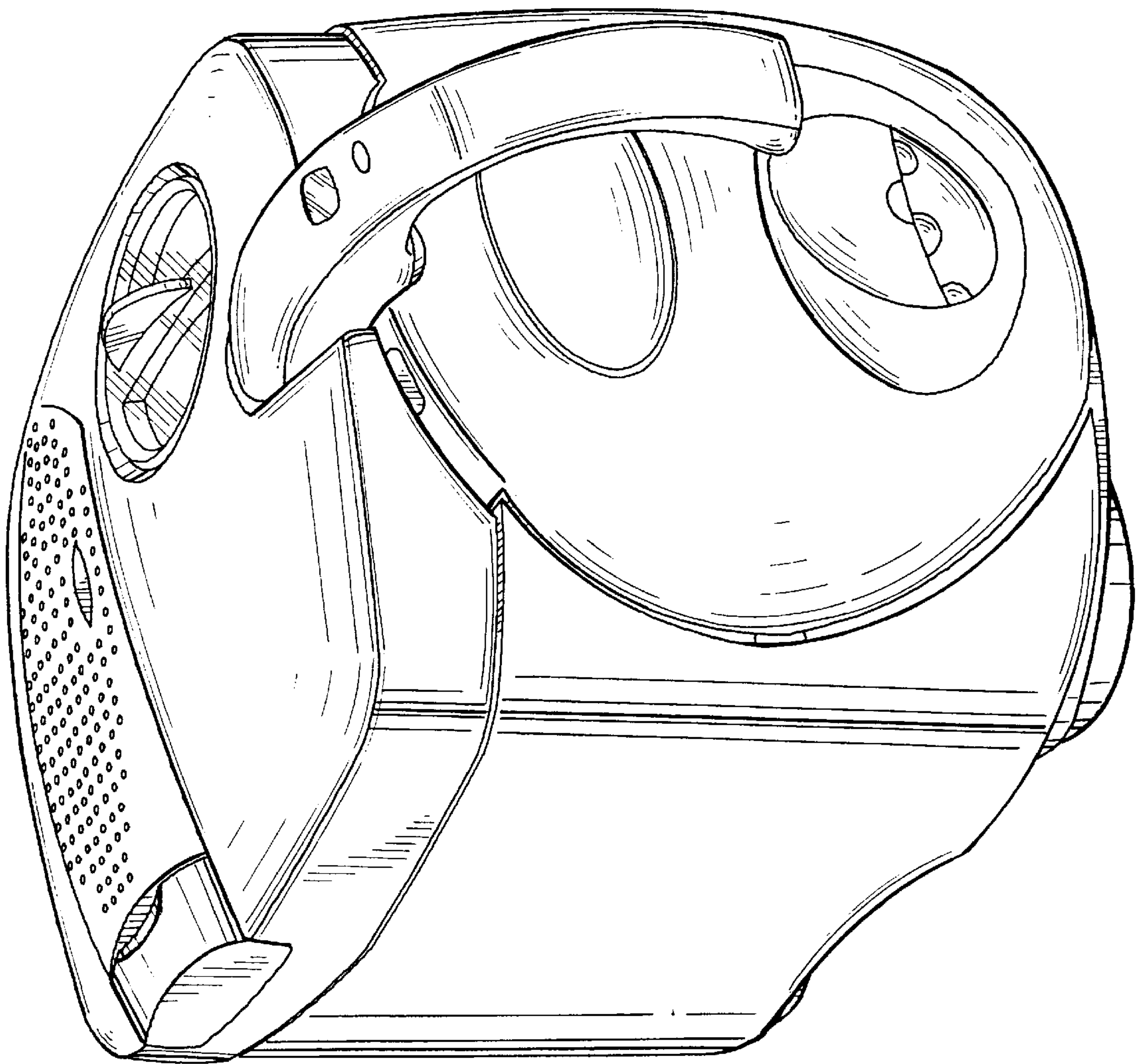


FIG. 1

FIG. 2

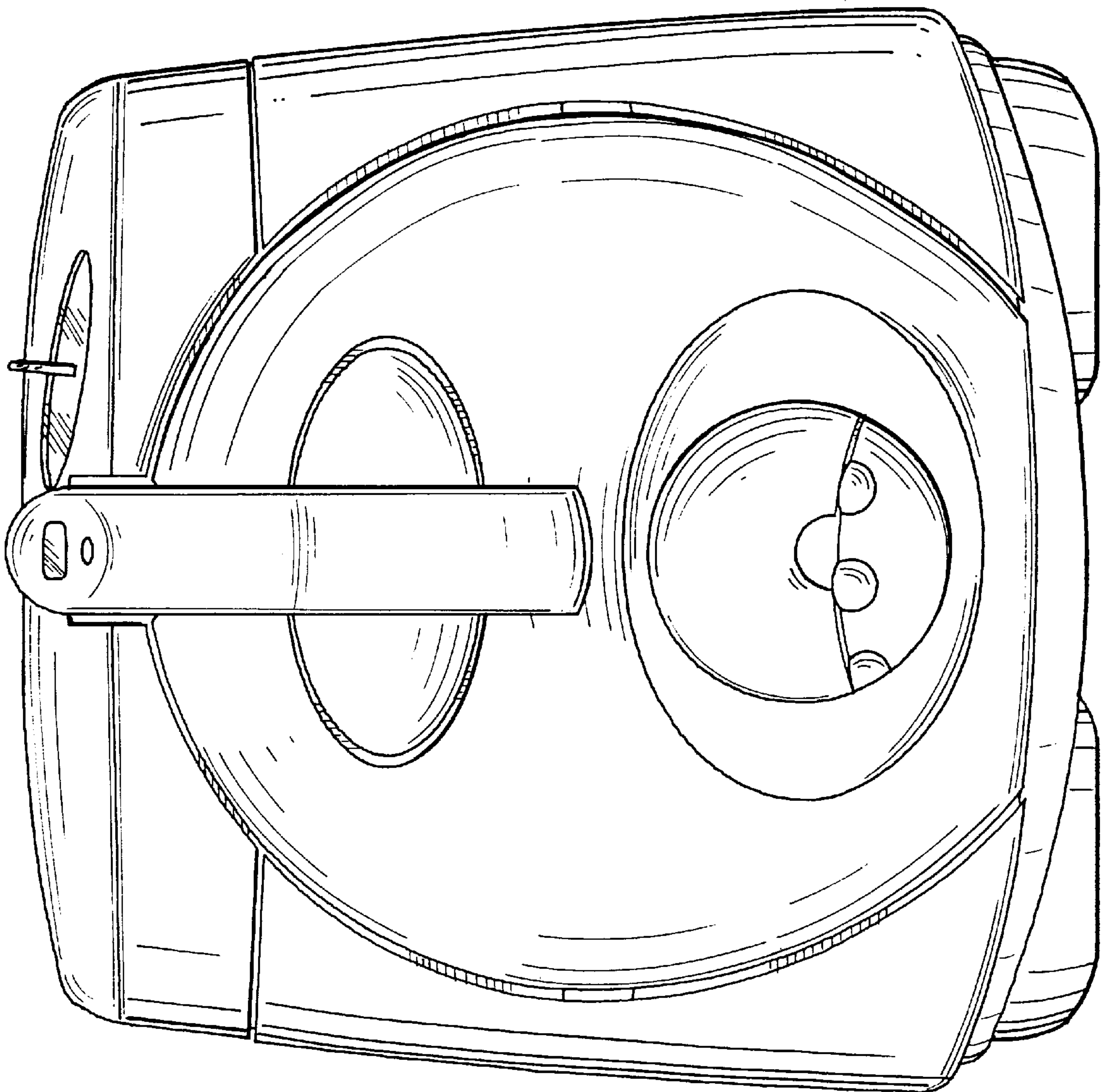






FIG. 3

FIG. 4

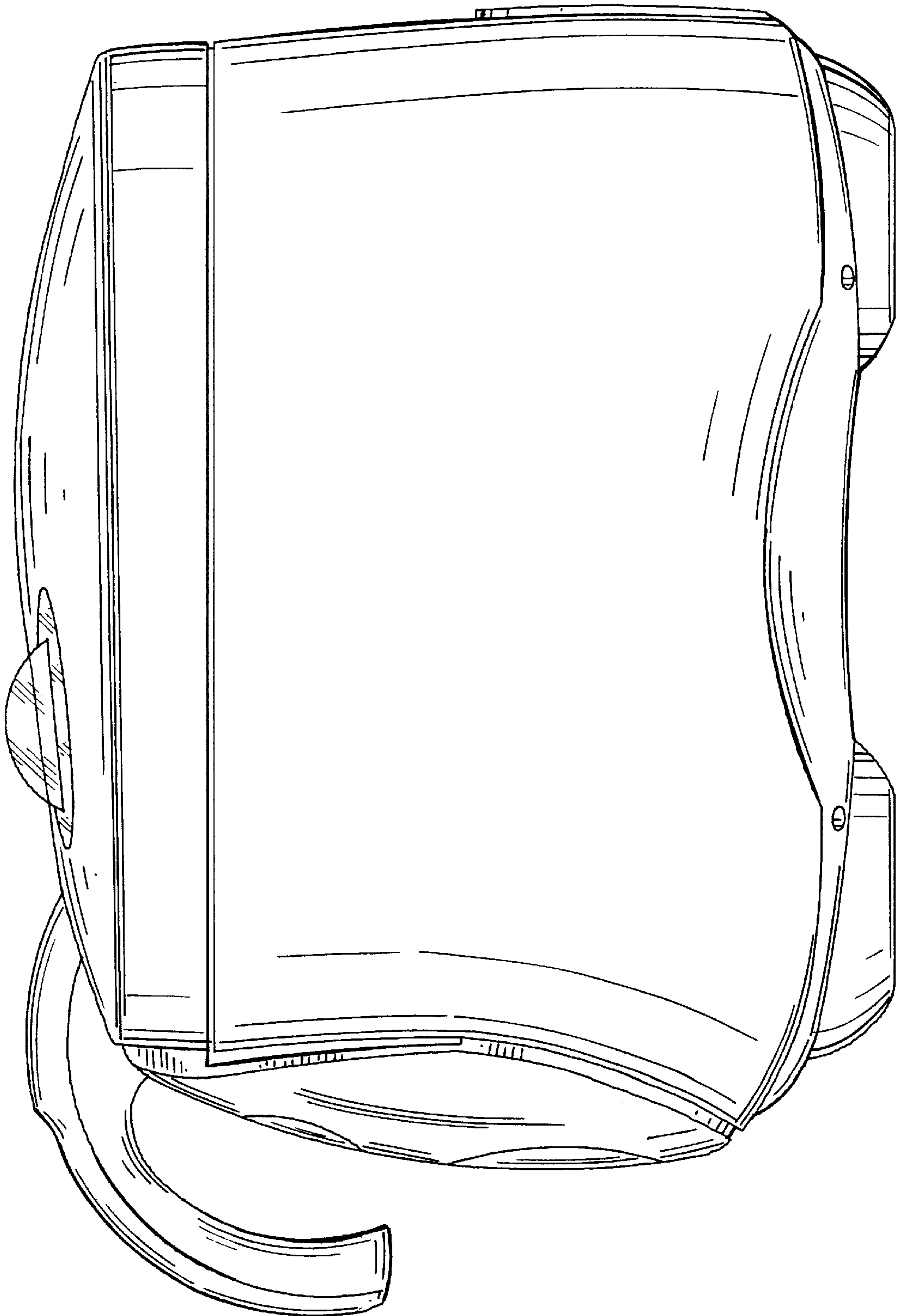
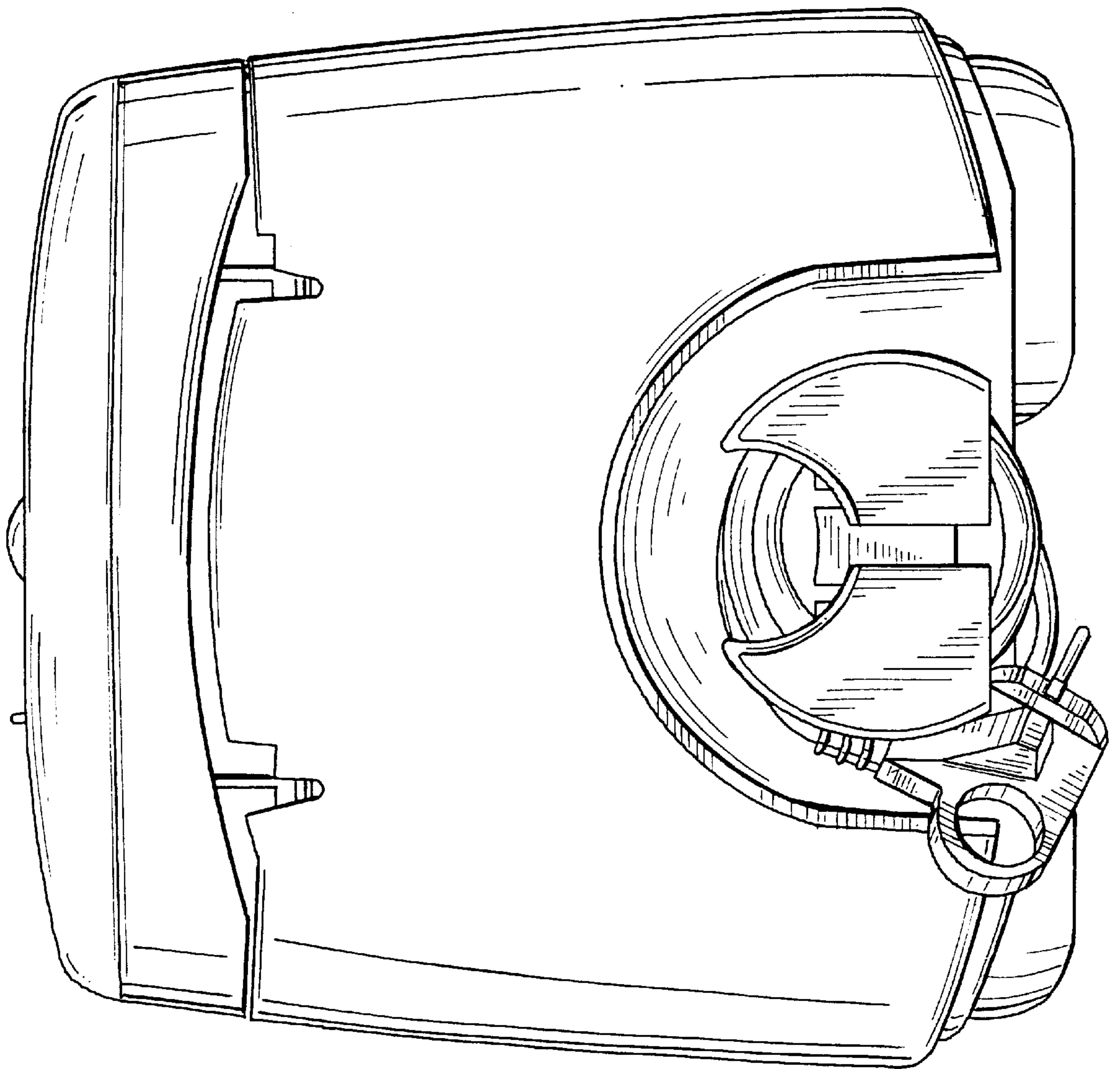


FIG. 5



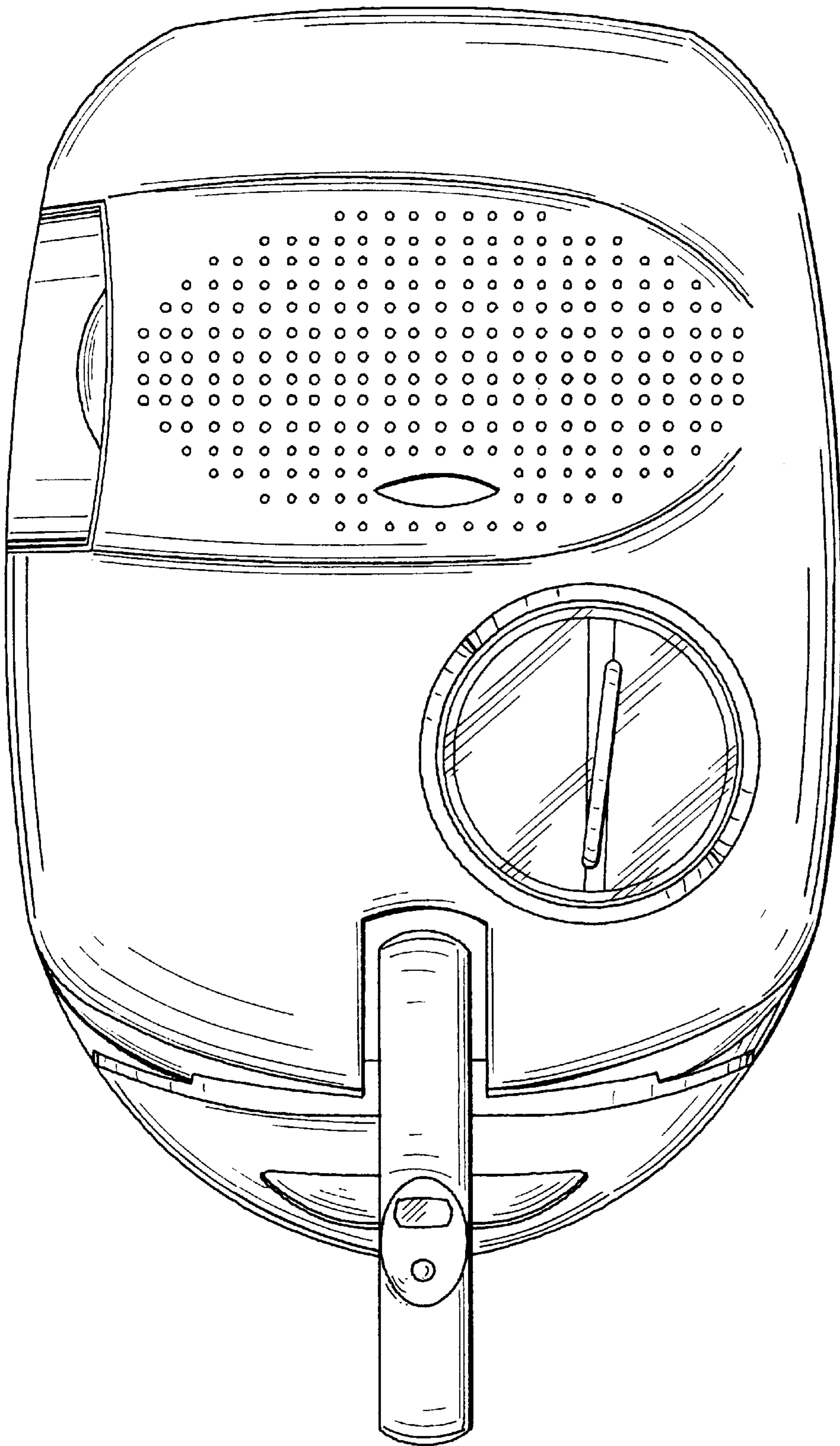


FIG. 6



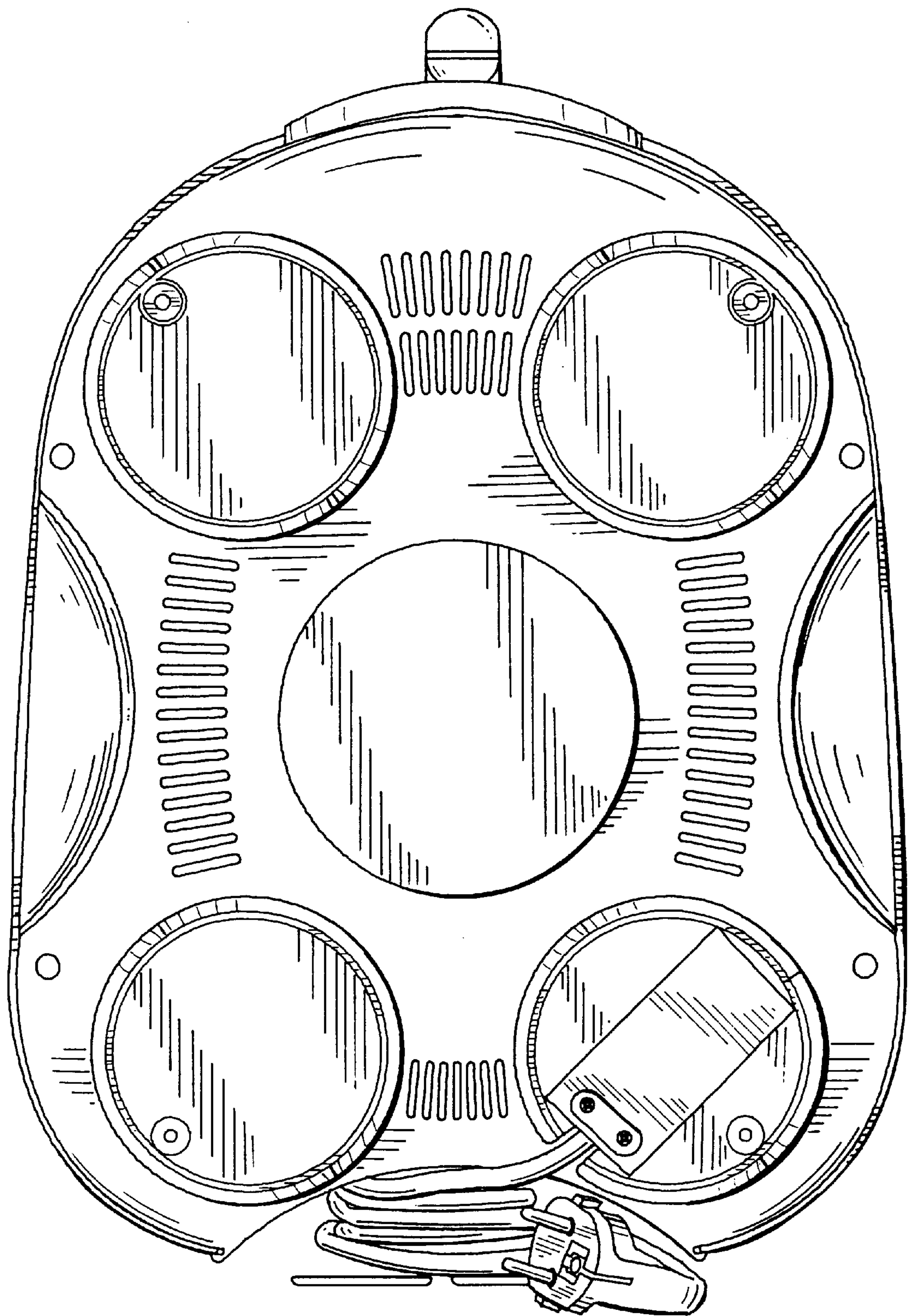


FIG. 7