



US00D424365S

# United States Patent [19]

[11] **Patent Number: Des. 424,365**

To

[45] **Date of Patent: \*\* May 9, 2000**

[54] **SANDWICHMAKER**

[56] **References Cited**

[75] Inventor: **Kin Man Ernest To**, Hong Kong, China

U.S. PATENT DOCUMENTS

D. 405,312 2/1999 Hoare ..... D7/352

[73] Assignee: **U.S. Philips Corporation**, New York, N.Y.

*Primary Examiner*—Caron D. Veynar  
*Attorney, Agent, or Firm*—Ernestine C. Bartlett

[\*\*] Term: **14 Years**

[57] **CLAIM**

The ornamental design for a sandwichmaker, as shown.

[21] Appl. No.: **29/100,701**

### DESCRIPTION

[22] Filed: **Feb. 16, 1999**

[30] **Foreign Application Priority Data**

Aug. 27, 1998 [WO] WIPO ..... DMA/004200

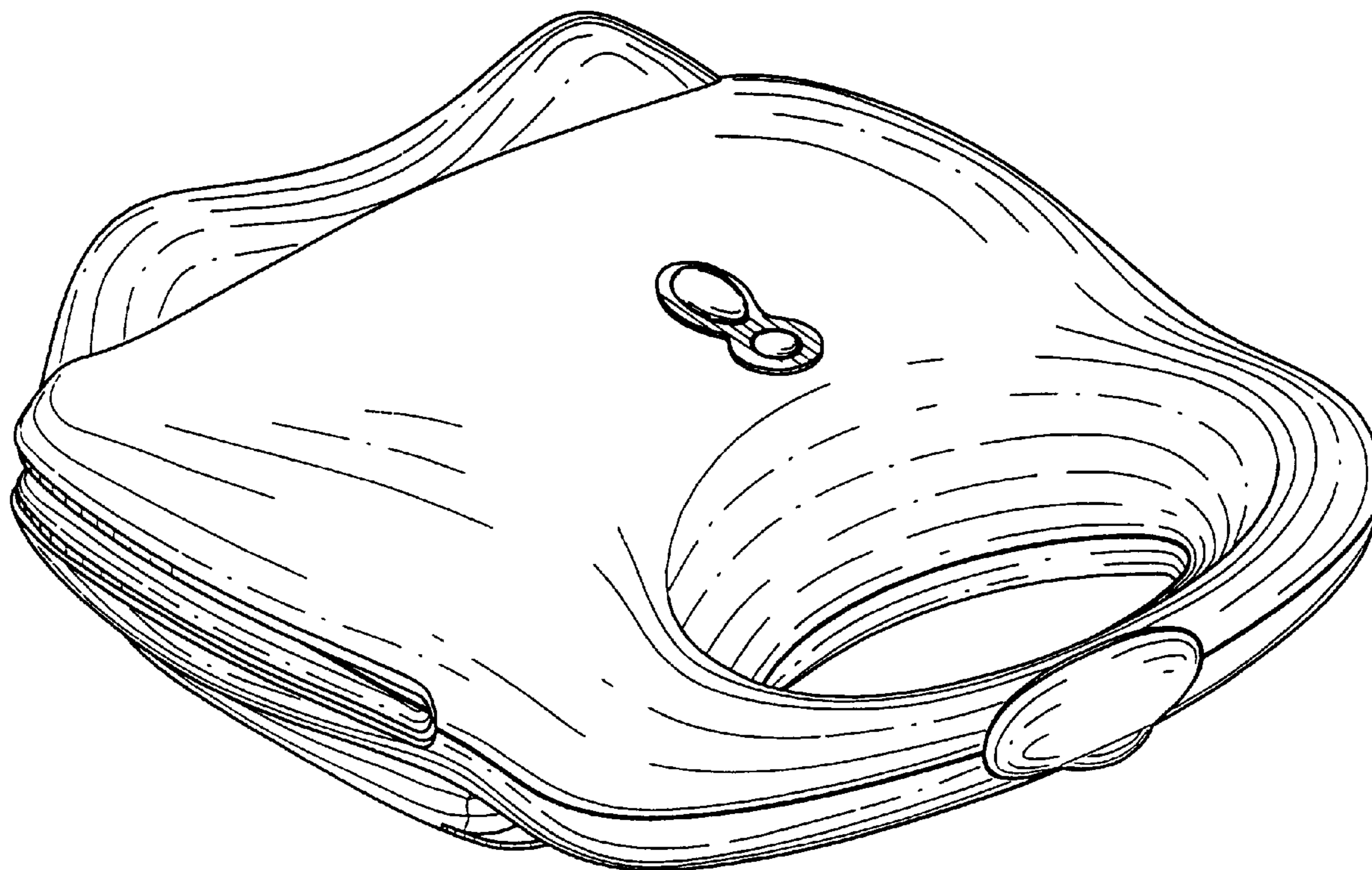
FIG. 1 is a perspective view showing my design;  
FIG. 2 is a front elevational view thereof;  
FIG. 3 is a rear elevational view thereof;  
FIG. 4 is a right side elevational view thereof;  
FIG. 5 is a left side elevational view thereof;  
FIG. 6 is a top plan view thereof; and,  
FIG. 7 is a bottom plan view thereof.

[51] **LOC (7) Cl.** ..... **07-02**

[52] **U.S. Cl.** ..... **D7/352**

[58] **Field of Search** ..... D7/323, 328-330,  
D7/350, 352, 353, 337; 99/372, 374, 376,  
377, 379; 219/524, 525

**1 Claim, 5 Drawing Sheets**



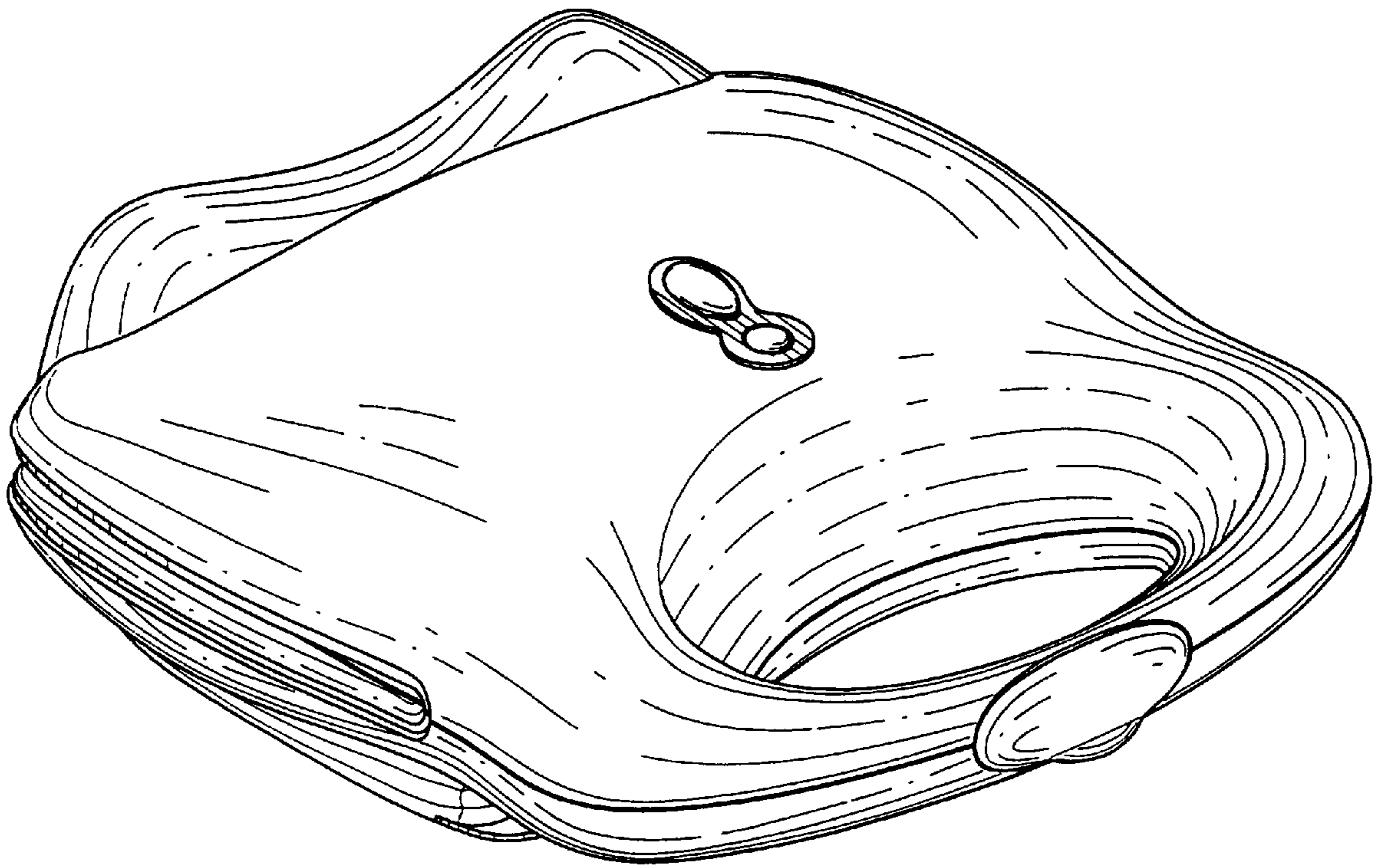


FIG.1

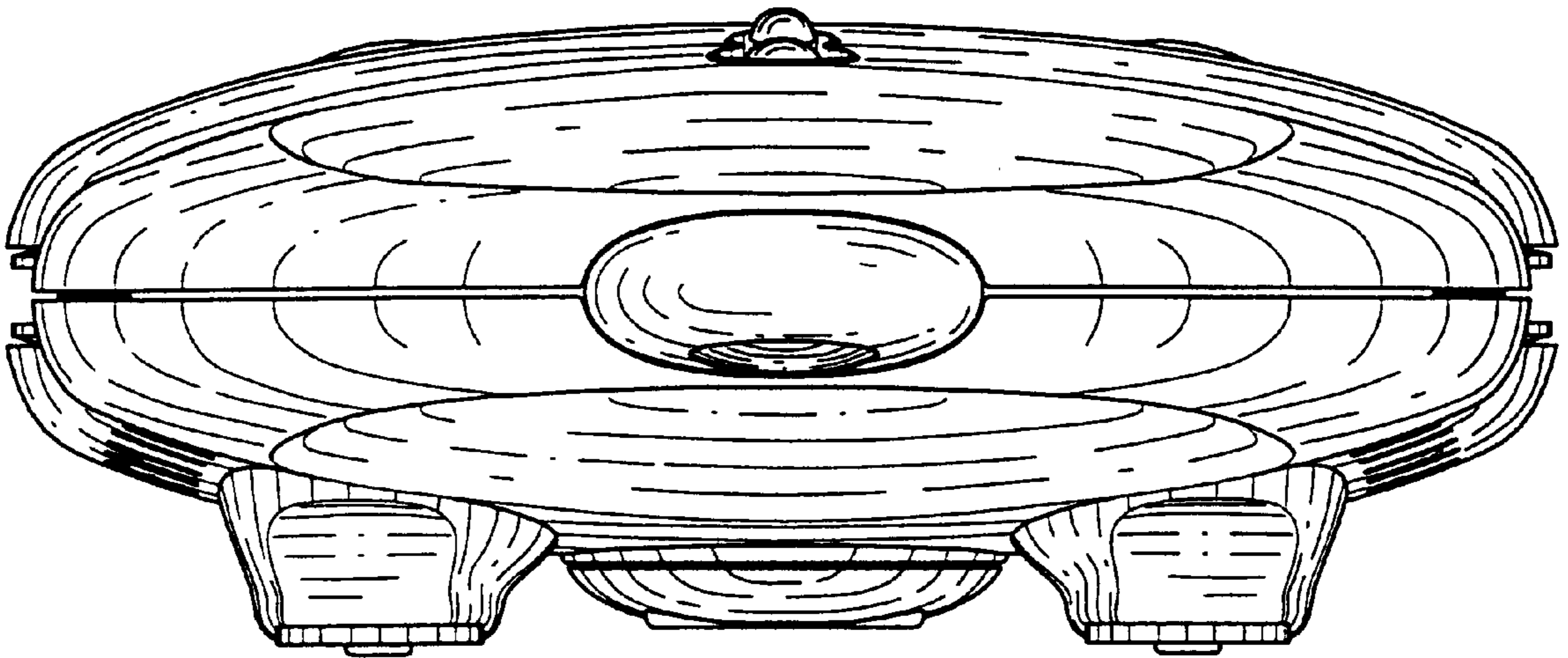


FIG.2

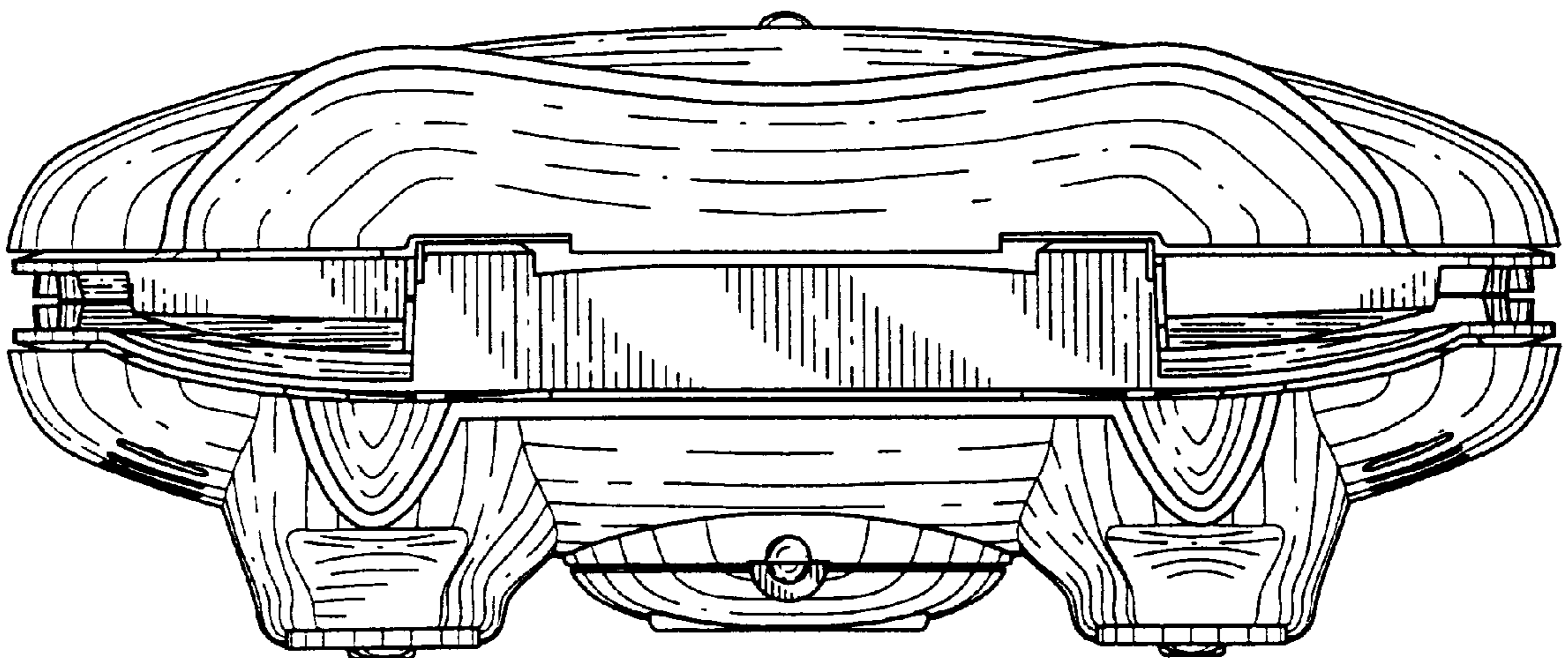


FIG.3

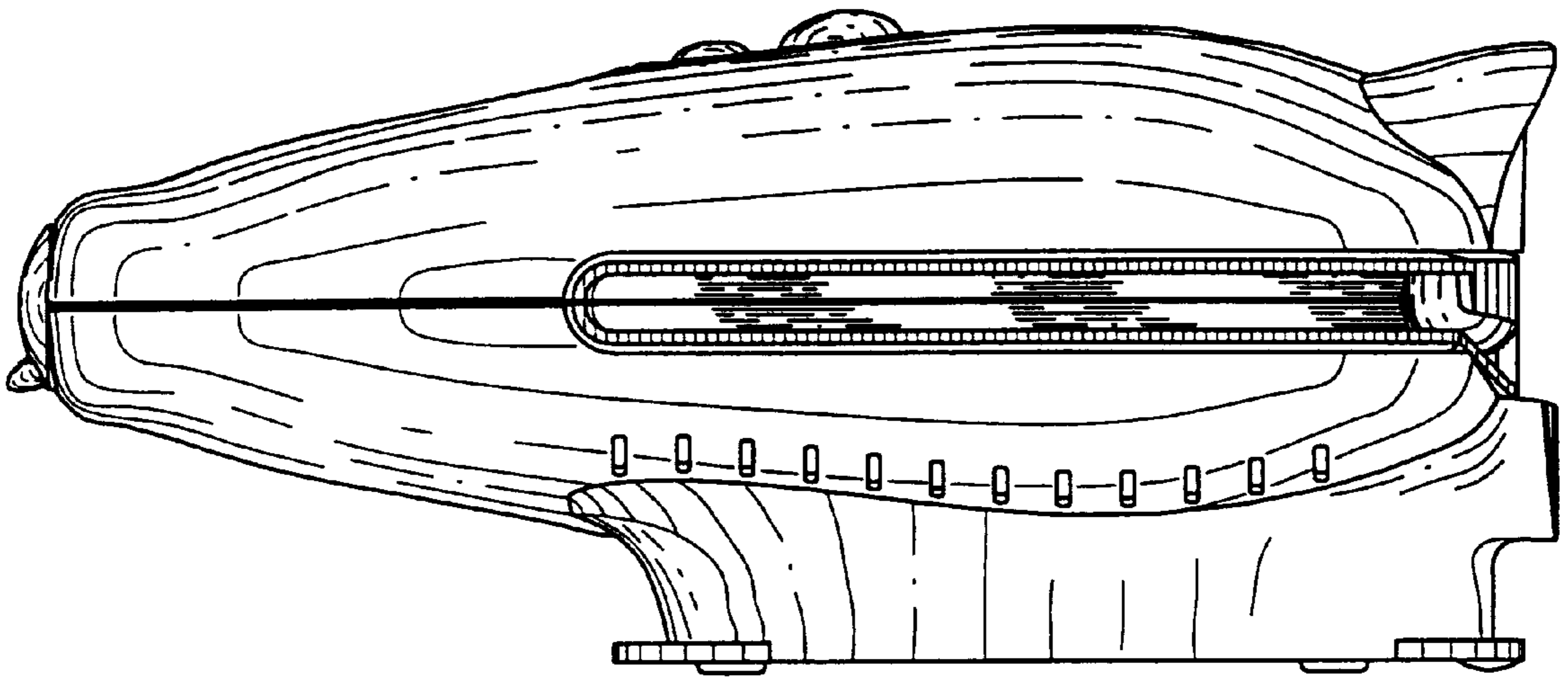


FIG. 4

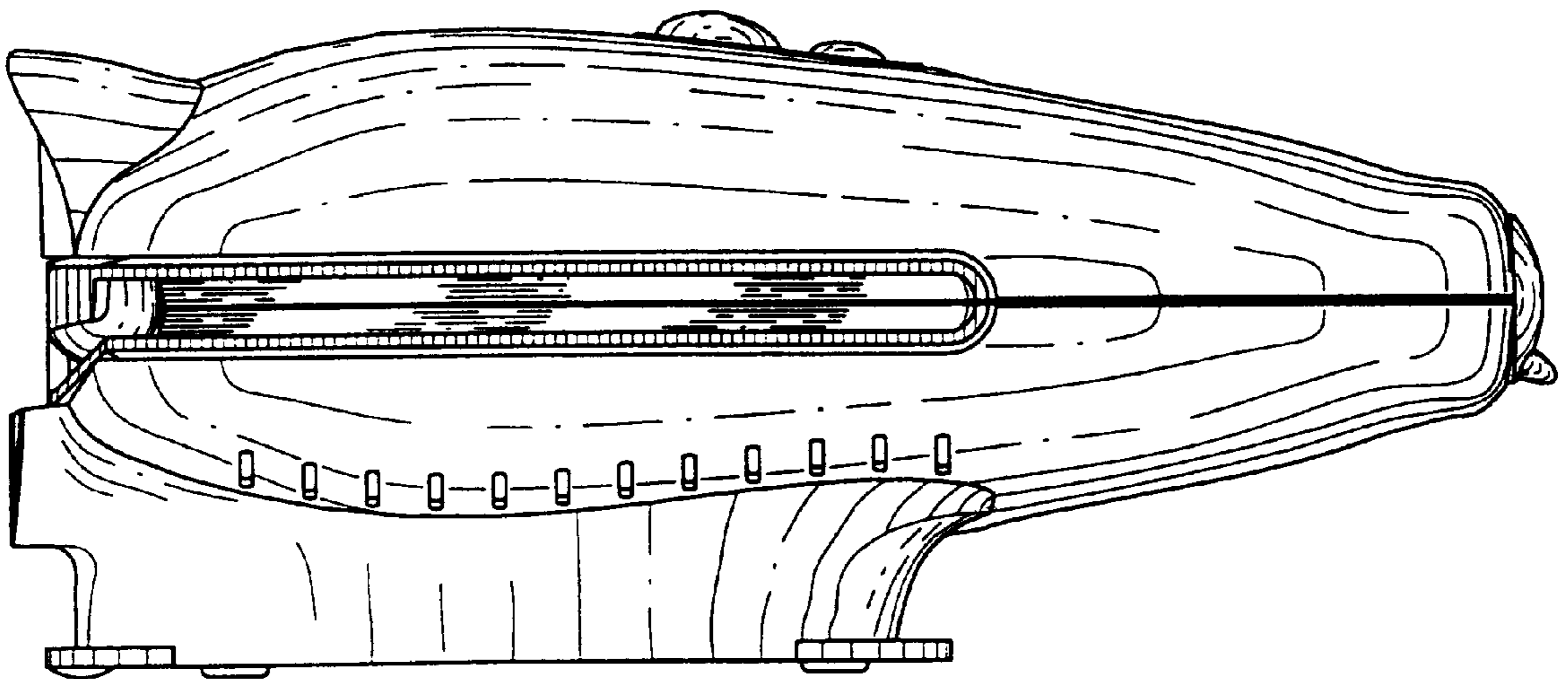


FIG. 5

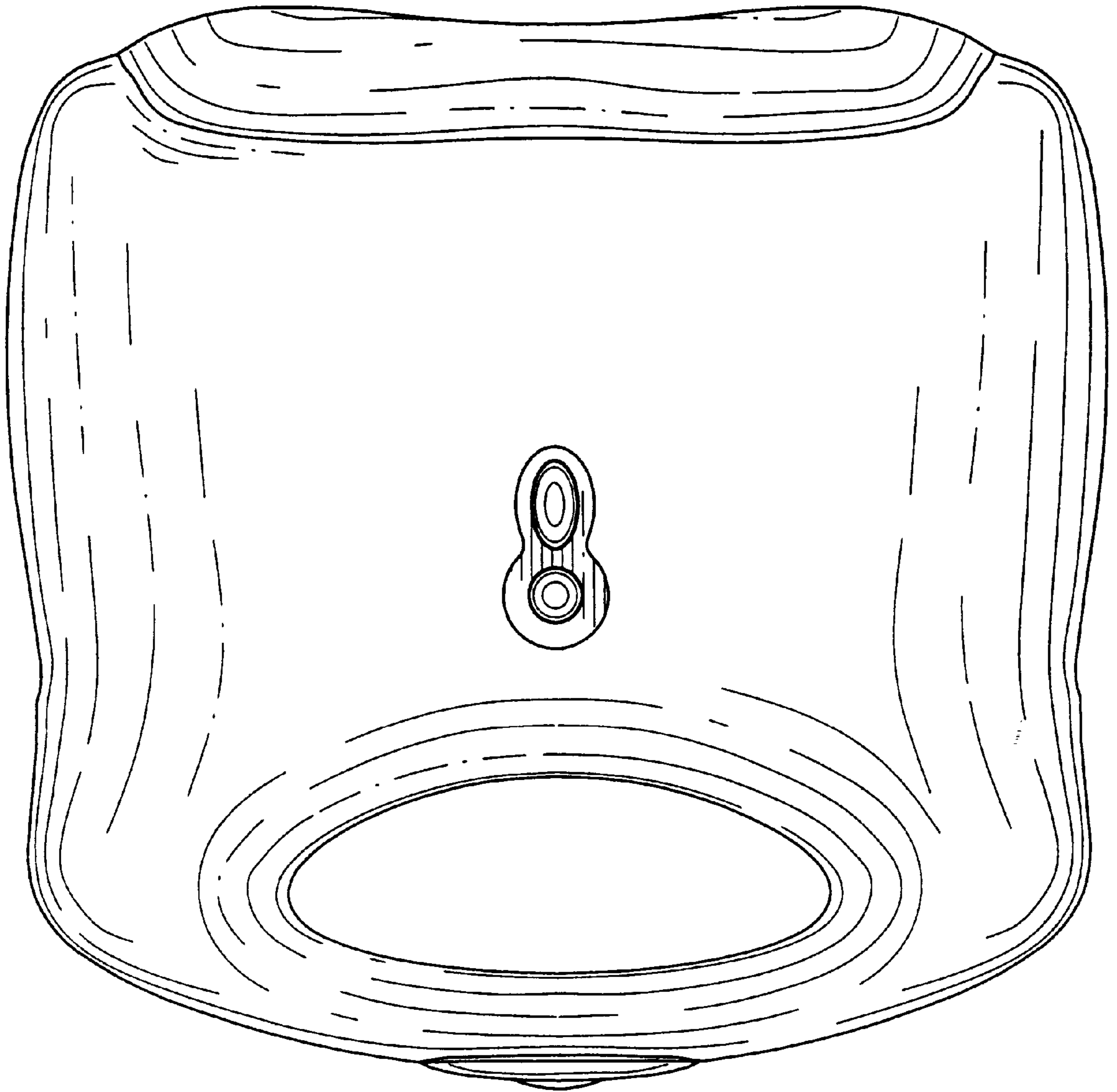


FIG.6

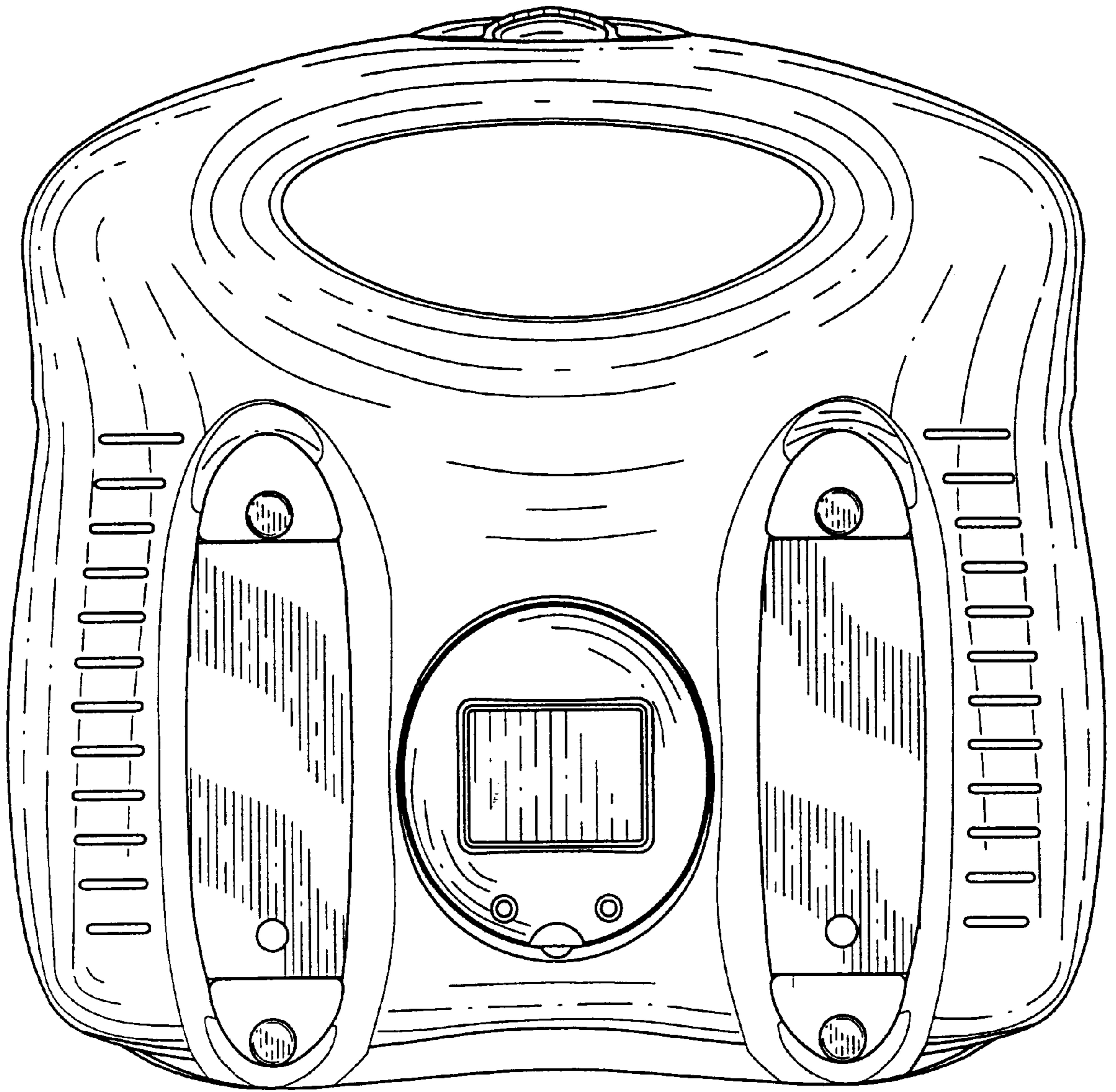


FIG.7