



US00D424364S

United States Patent [19] Persson

[11] Patent Number: **Des. 424,364**

[45] Date of Patent: **** May 9, 2000**

[54] **OPEN-AIR STOVE**

[75] Inventor: **Jerker Persson**, Göteborg, Sweden

[73] Assignee: **Primus AB**, Solna, Sweden

[**] Term: **14 Years**

[21] Appl. No.: **29/082,096**

[22] Filed: **Jan. 14, 1998**

[30] Foreign Application Priority Data

Jul. 14, 1997 [SE] Sweden 97-1611

[51] **LOC (7) Cl.** **07-02**

[52] **U.S. Cl.** **D7/337**

[58] **Field of Search** D7/332-337, 402-404,
D7/362; 126/9 R, 25 R, 29-30, 38, 39 E,
40, 41 R, 39 R, 9 B, 44; 431/247, 207

[56] References Cited

U.S. PATENT DOCUMENTS

D. 355,809 2/1995 Kothrade D7/337

D. 371,716	7/1996	Jo	D7/337
D. 375,223	11/1996	Parnell et al.	D7/337
4,177,790	12/1979	Zenzaburo	126/38
4,454,859	6/1984	Vincent	126/38
5,803,727	9/1998	Long	431/247

Primary Examiner—Ruth McInroy
Attorney, Agent, or Firm—Banner & Witcoff, Ltd

[57] CLAIM

The ornamental design for an open air stove, as shown and described.

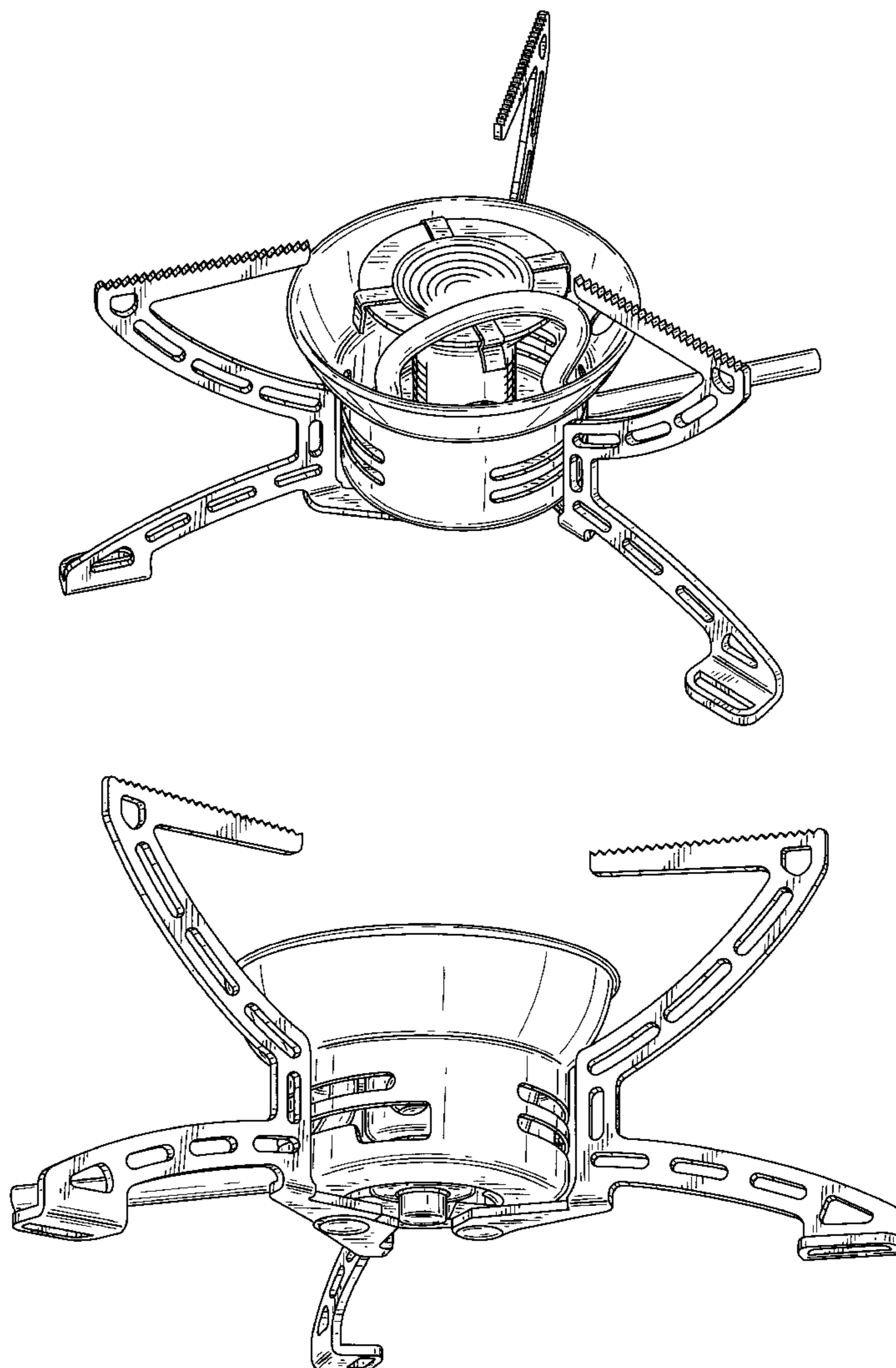
DESCRIPTION

FIG. 1 is a top perspective view of an open air stove showing my new design; and,

FIG. 2 is a bottom perspective view of the open air stove shown in FIG. 1.

The portions of the article not shown in FIGS. 1 and 2 or described in the specification form no part of the claimed design.

1 Claim, 2 Drawing Sheets



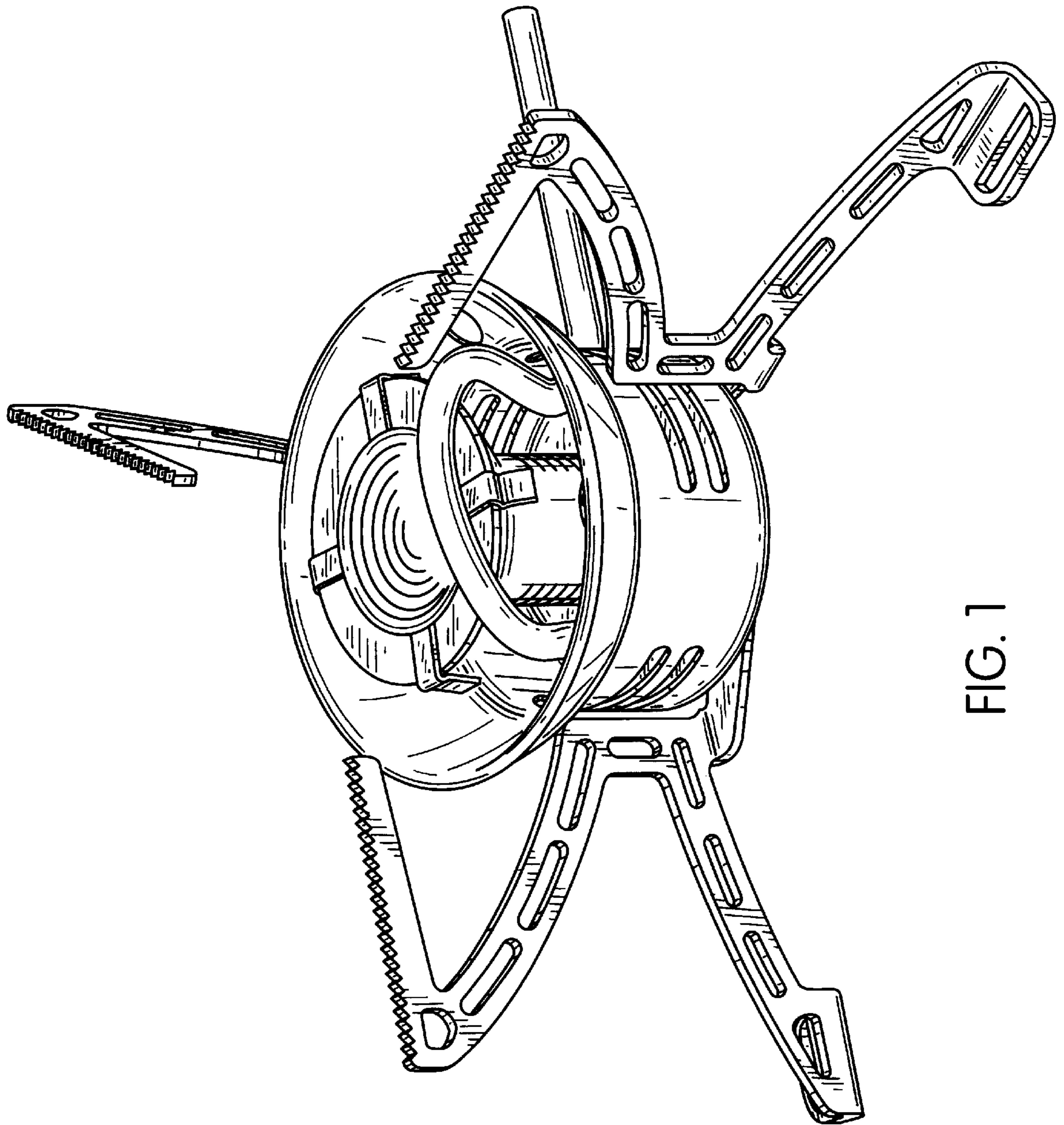


FIG. 1

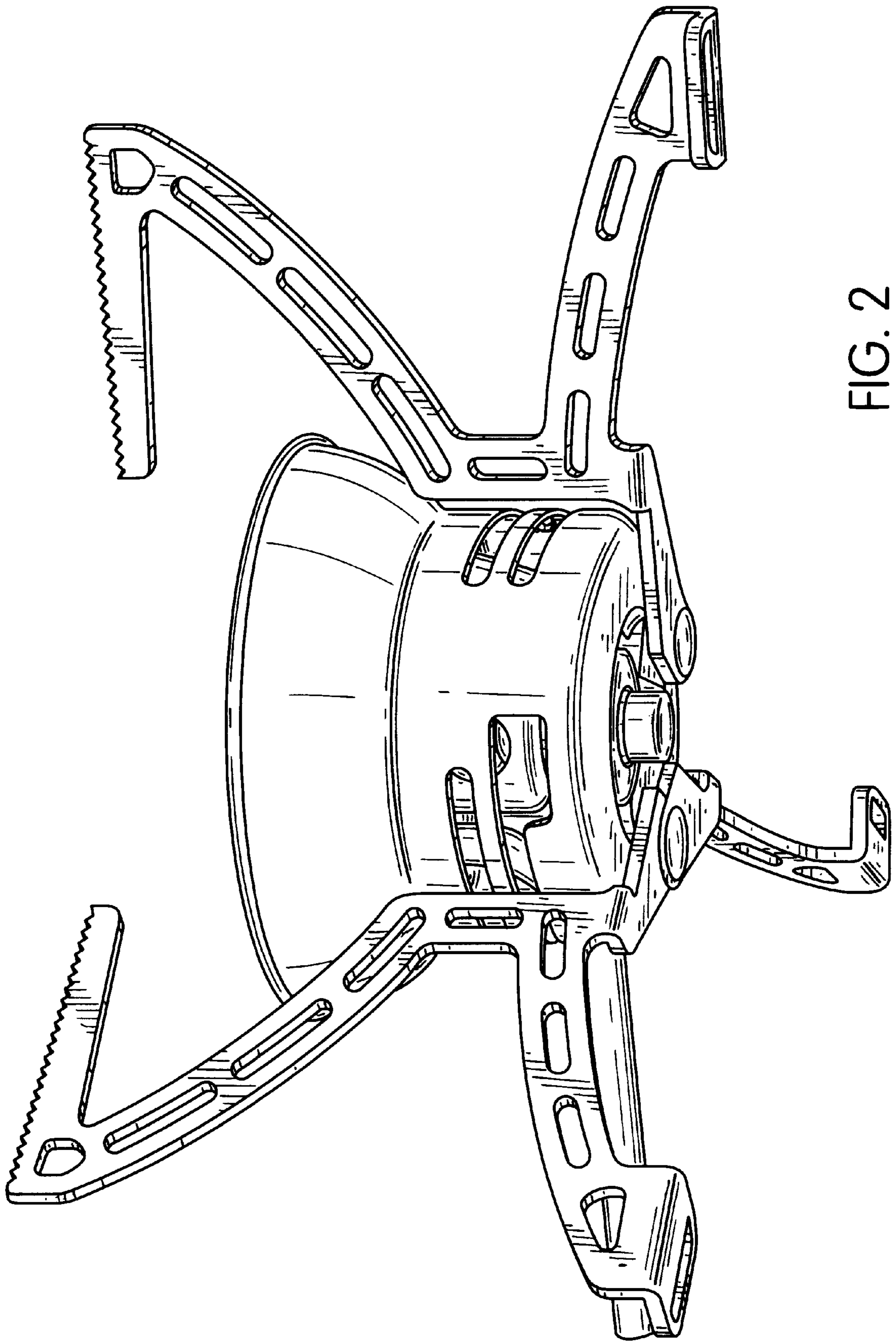


FIG. 2