



US00D424358S

United States Patent [19] Wang

[11] **Patent Number: Des. 424,358**

[45] **Date of Patent: ** May 9, 2000**

[54] **AIR MATTRESS**

[75] Inventor: **Kenneth Wang**, Taipei, Taiwan

[73] Assignee: **Team World Wide Corp.**, Taipei, Taiwan

[**] Term: **14 Years**

[21] Appl. No.: **29/111,427**

[22] Filed: **Sep. 27, 1999**

[51] **LOC (7) Cl.** **06-09**

[52] **U.S. Cl.** **D6/604; D6/596**

[58] **Field of Search** D6/595, 596, 601-604, D6/382, 392; 5/417, 419, 420, 630, 636, 644, 633, 652, 653, 654, 655.3, 656, 706, 710; D21/803

[56] **References Cited**

U.S. PATENT DOCUMENTS

5,133,097	7/1992	Pyles	5/623
5,303,435	4/1994	Haar et al.	5/709
5,974,608	11/1999	Haller et al.	5/709

Primary Examiner—Janice E. Seeger

Attorney, Agent, or Firm—Gray Cary Ware & Freidenrich LLP

[57] **CLAIM**

The ornamental design for an air mattress, as shown and described.

DESCRIPTION

FIG. 1 is a perspective view of air mattress showing my new design;

FIG. 2 is a front elevational view thereof;

FIG. 3 is a rear elevational view thereof;

FIG. 4 is a left side elevational view thereof;

FIG. 5 is a right side elevational view thereof;

FIG. 6 is a top plan view thereof;

FIG. 7 is a bottom plan view thereof;

FIG. 8 is perspective view of a second embodiment of that shown in FIG. 1;

FIG. 9 is a front elevational view thereof;

FIG. 10 is a rear elevational view thereof;

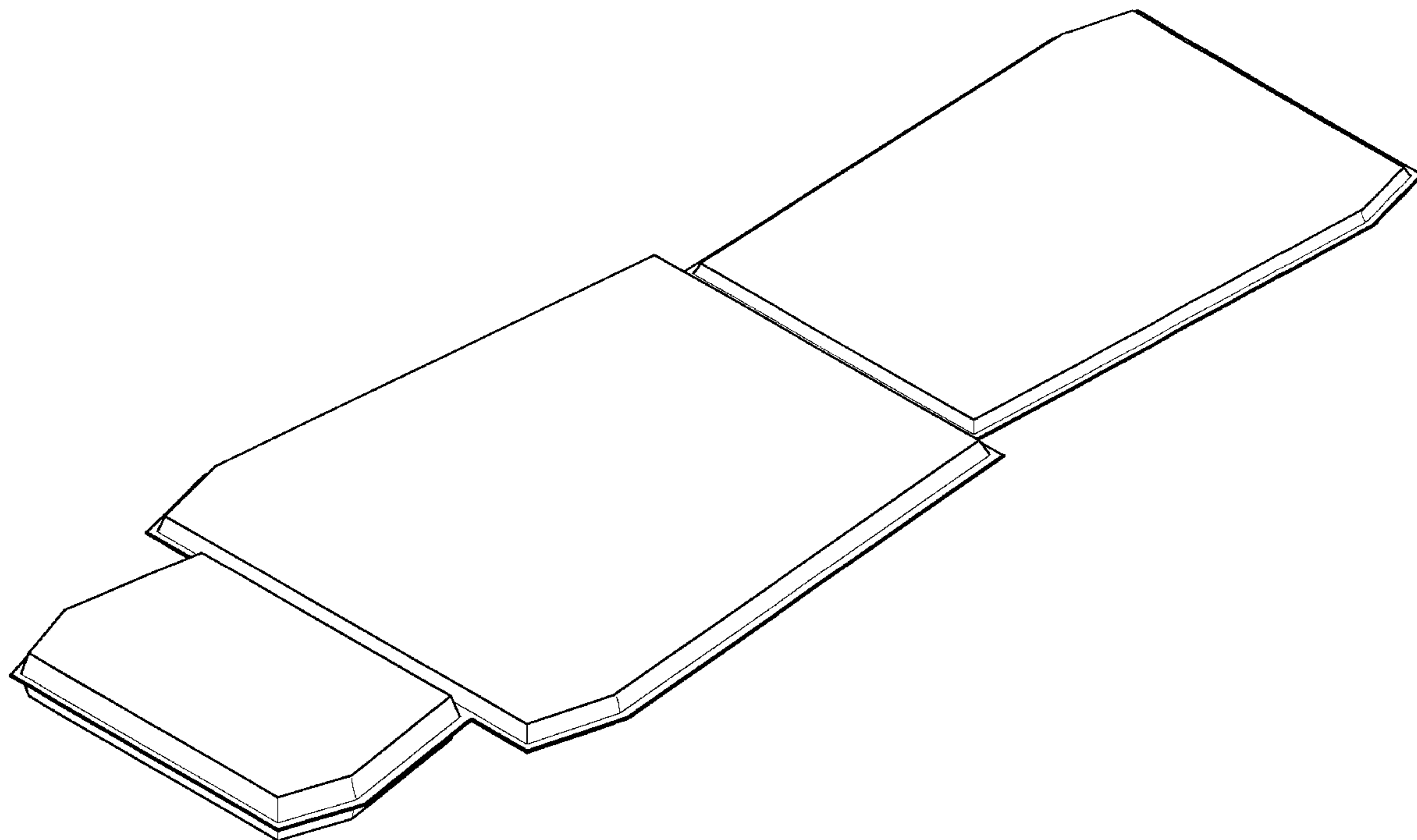
FIG. 11 is a left side elevational view thereof;

FIG. 12 is a right side elevational view thereof;

FIG. 13 is a top plan view thereof; and,

FIG. 14 is a bottom plan view thereof.

1 Claim, 10 Drawing Sheets



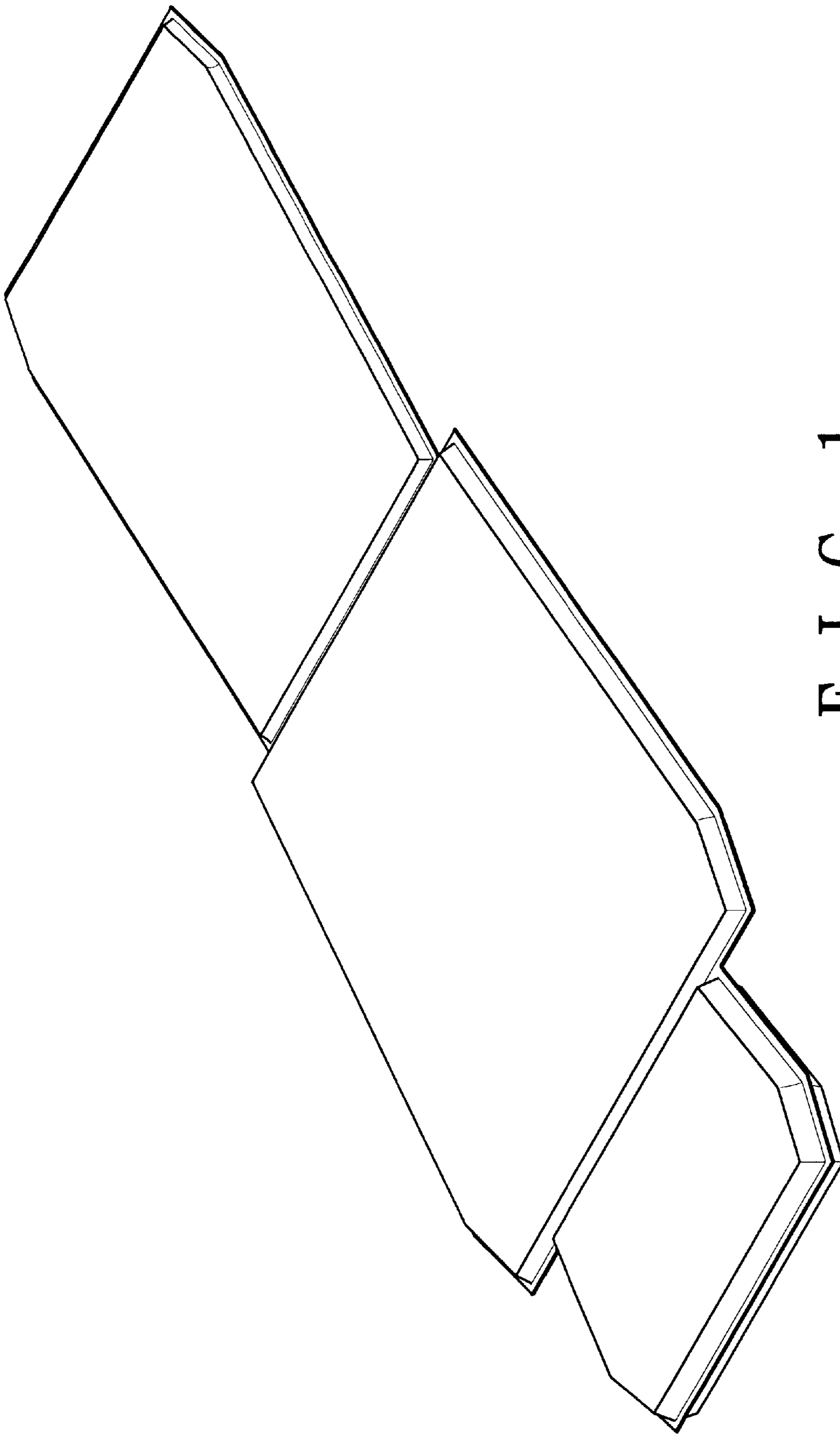


FIG. 1



FIG. 2

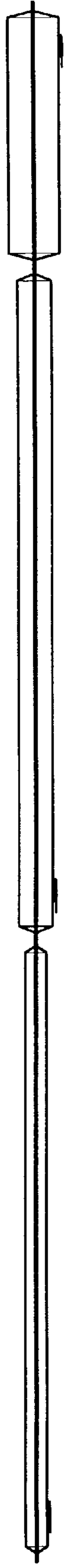


FIG. 3

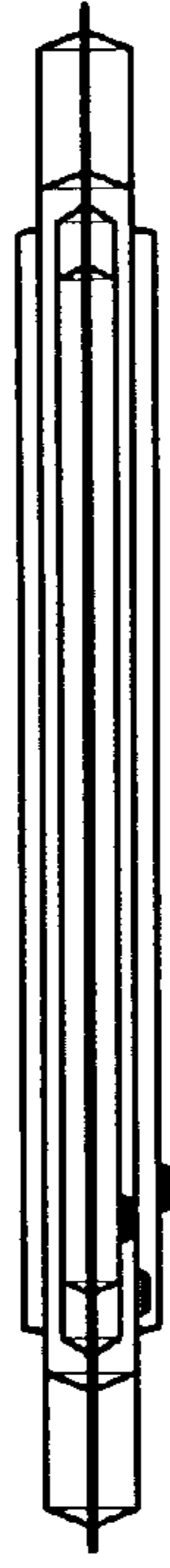


FIG. 5



FIG. 4

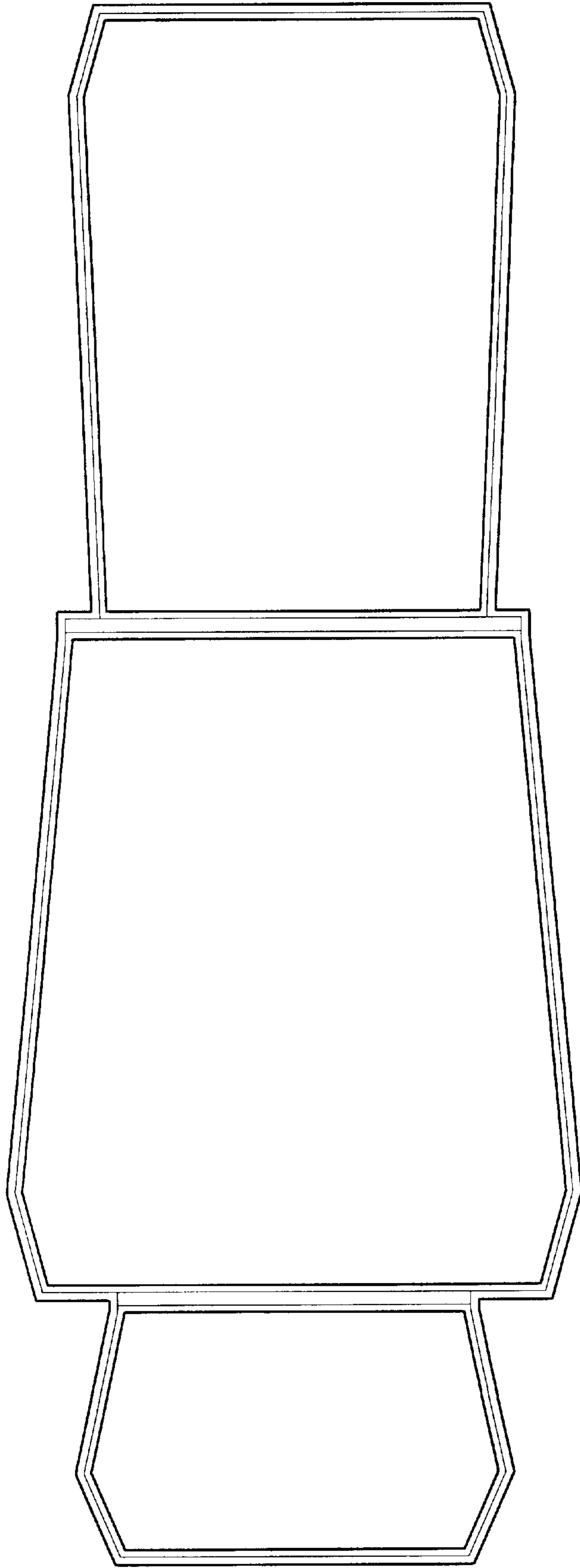


FIG. 6

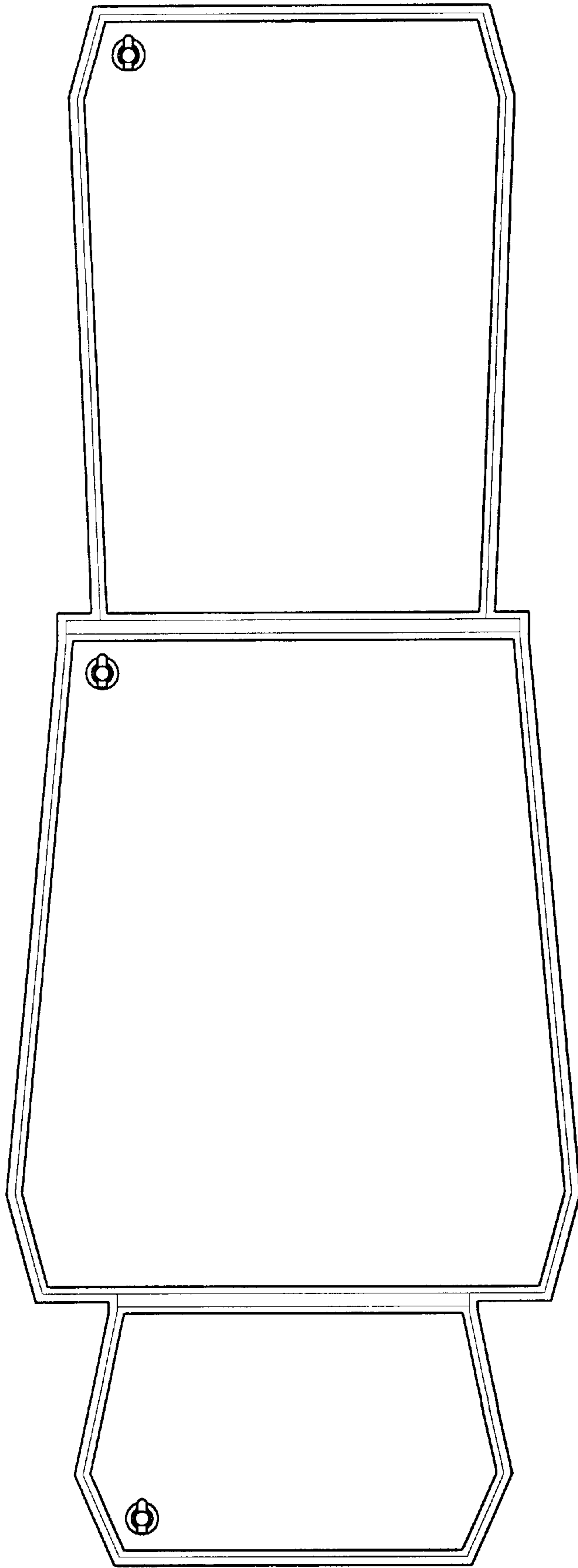


FIG. 7

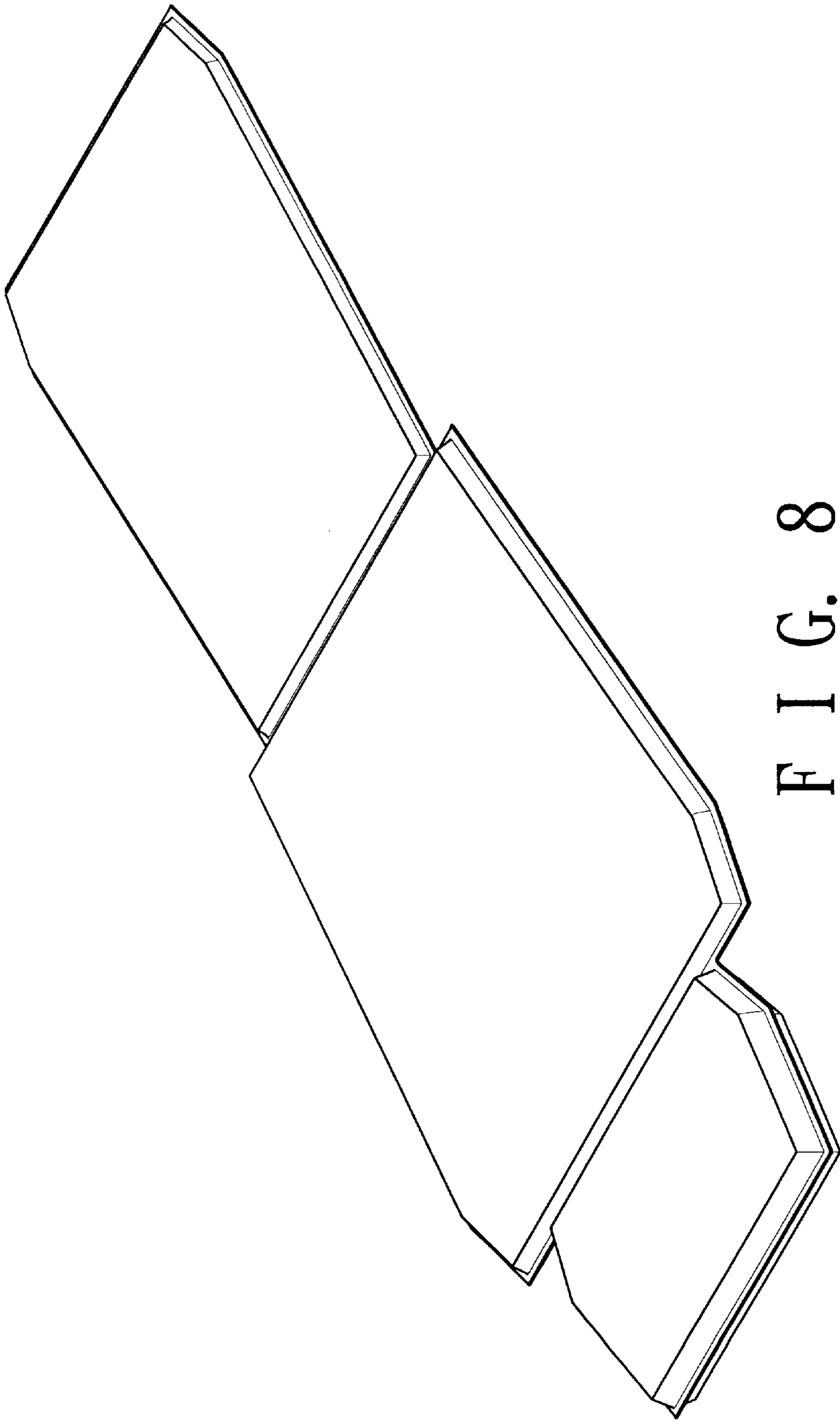


FIG. 8



FIG. 9



FIG. 10



FIG. 12

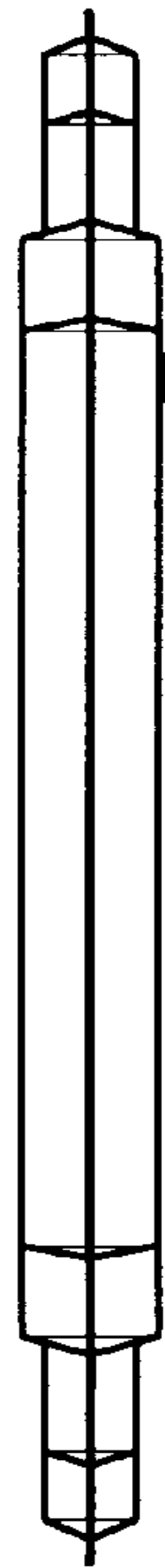


FIG. 11

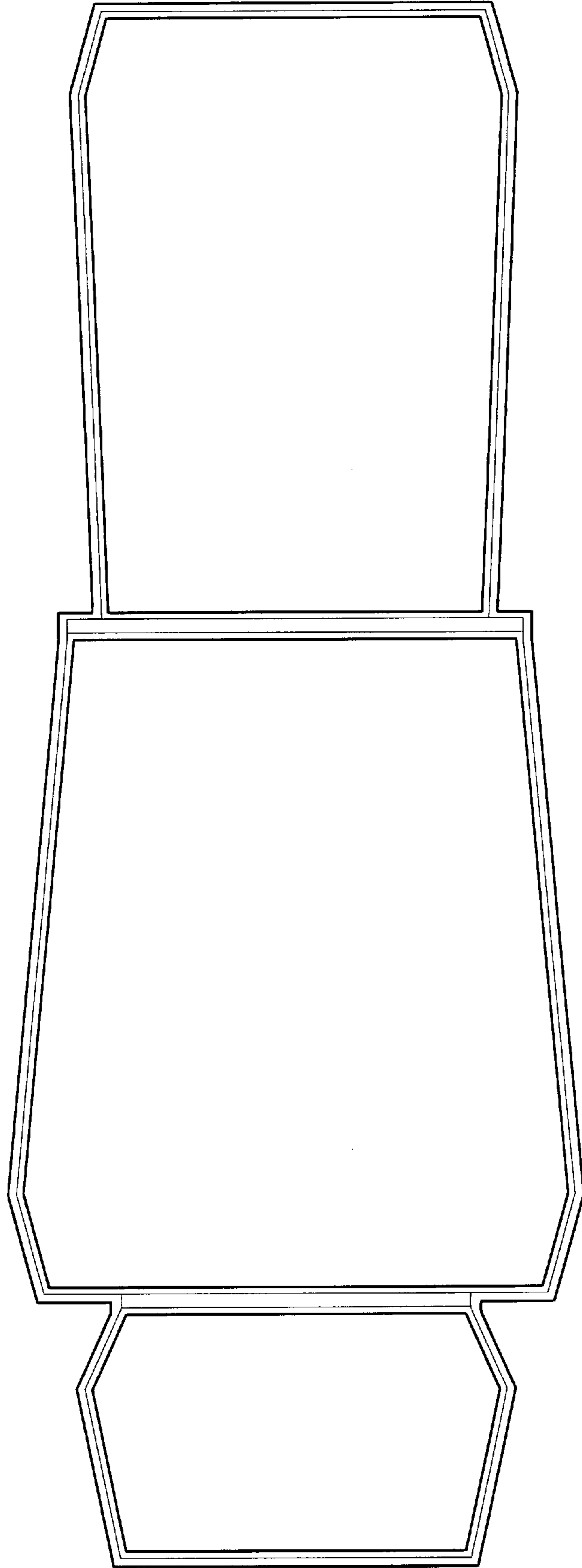


FIG. 13

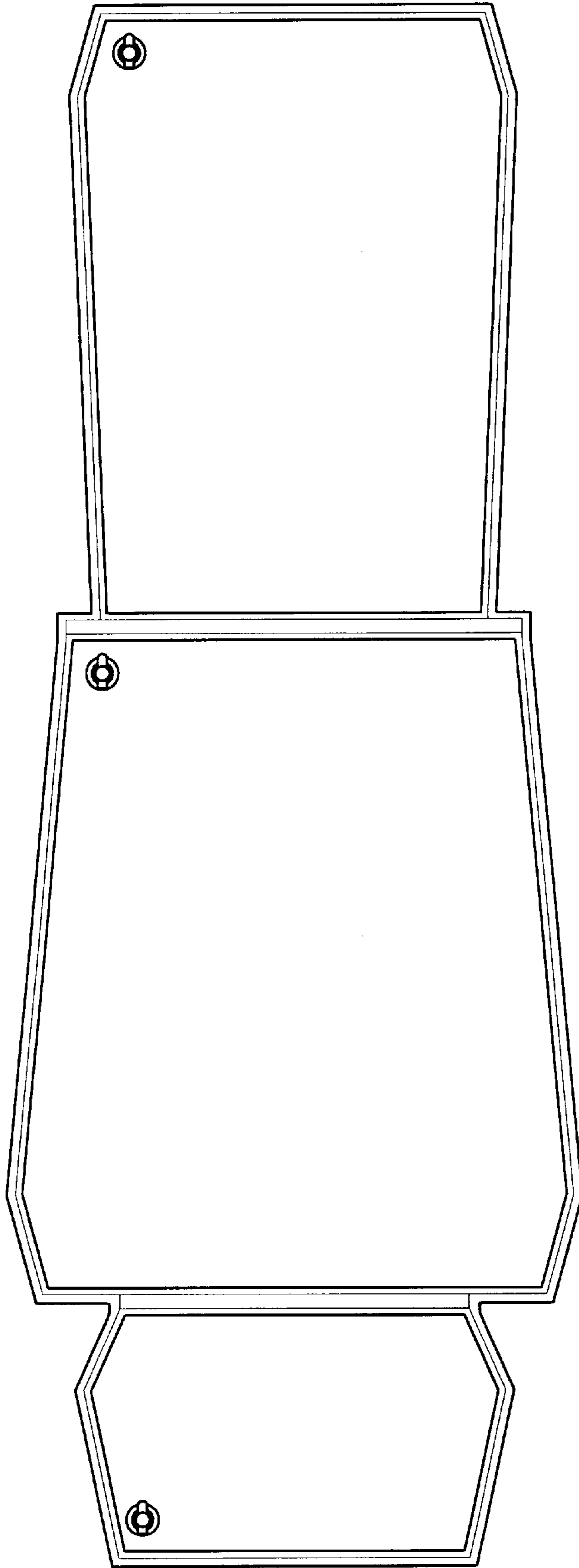


FIG. 14