



US00D424355S

# United States Patent [19]

Barton

[11] Patent Number: **Des. 424,355**

[45] Date of Patent: **\*\* May 9, 2000**

[54] **MODULAR ADJUSTABLE TOOL SHELVING AND CONTAINER SYSTEM**

D. 294,668 3/1988 Handler et al. .... D6/570  
3,613,604 10/1971 Butler ..... 211/153

[76] Inventor: **Robert L. Barton**, 4801 Syracuse Dr.,  
Oxnard, Calif. 93024

*Primary Examiner*—Brian N. Vinson  
*Attorney, Agent, or Firm*—Michaelson & Wallace

[\*\*] Term: **14 Years**

[57] **CLAIM**

[21] Appl. No.: **29/040,576**

The ornamental design for a modular adjustable tool shelving and container system, as shown and described.

[22] Filed: **Jun. 22, 1995**

**DESCRIPTION**

[51] **LOC (7) Cl.** ..... **08-08**

[52] **U.S. Cl.** ..... **D6/570**

[58] **Field of Search** ..... D6/553, 567, 569,  
D6/570; 211/13.1, 71, 86-88, 90, 126.1,  
126.14, 126.15, 126.16, 134, 135, 153;  
240/235, 158

FIG. 1 is a perspective view of the claimed invention.  
FIG. 2 is a front view of the claimed invention.  
FIG. 3 is a first side view of the claimed invention.  
FIG. 4 is a second side view of the claimed invention.  
FIG. 5 is a back view of the claimed invention.  
FIG. 6 is a top view of the claimed invention; and,  
FIG. 7 is a bottom view of the claimed invention.

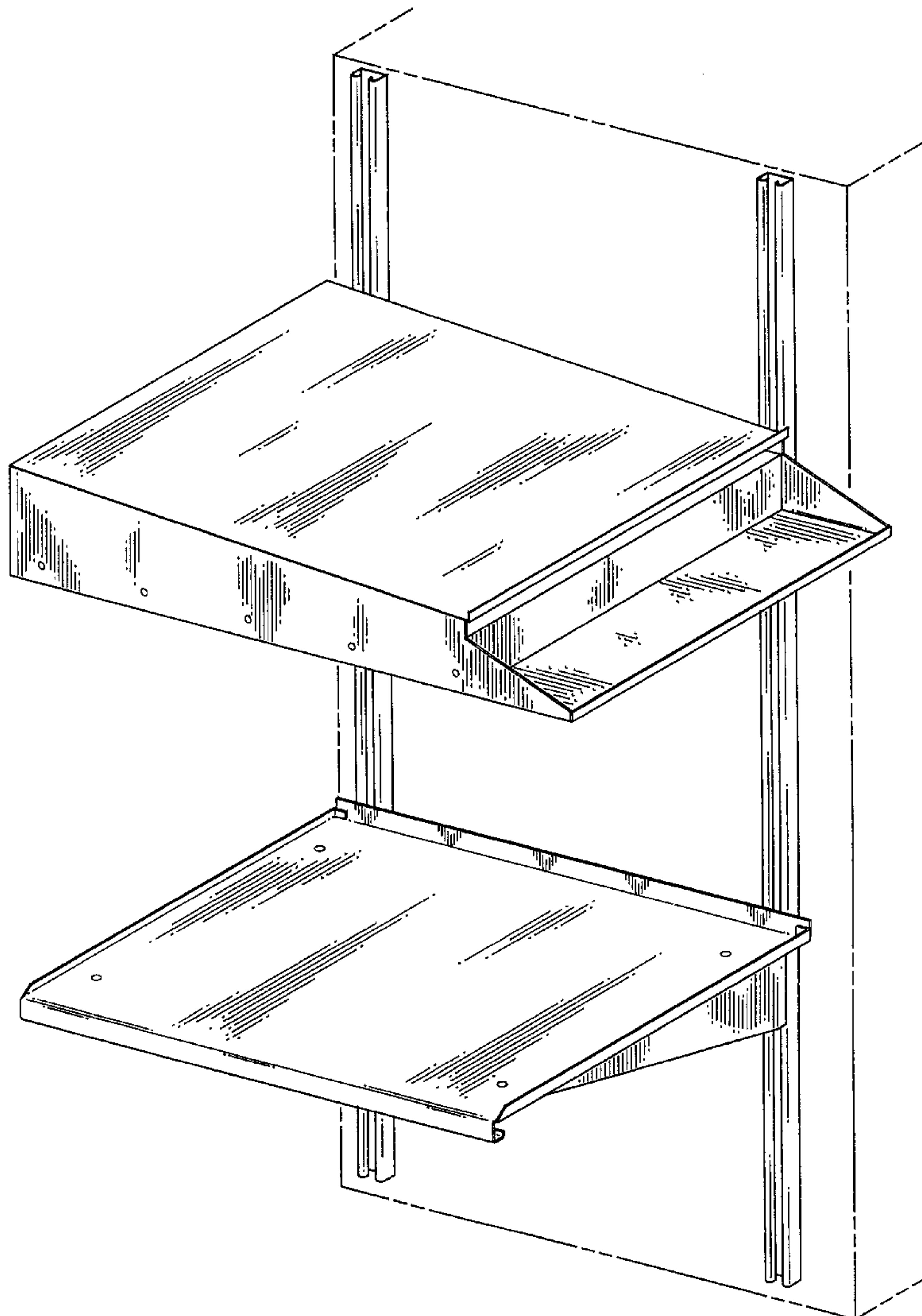
[56] **References Cited**

The broken-line disclosure in FIG. 1 is for illustrative purposes only and forms no part of the claimed design.

### U.S. PATENT DOCUMENTS

D. 257,195 10/1980 Swett et al. .... D6/570  
D. 289,353 4/1987 Davis et al. .... D6/570

**1 Claim, 3 Drawing Sheets**



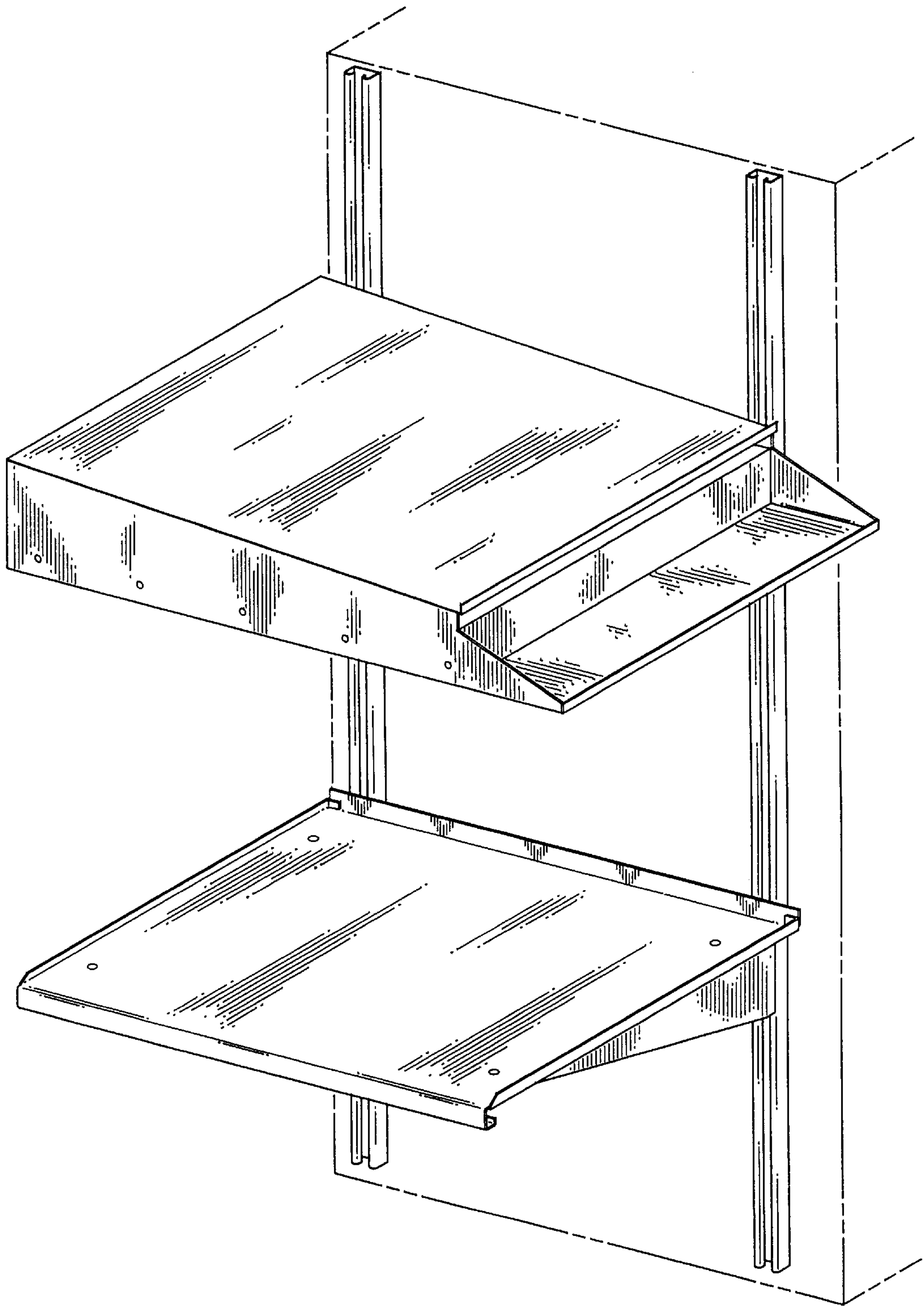


FIG. 1

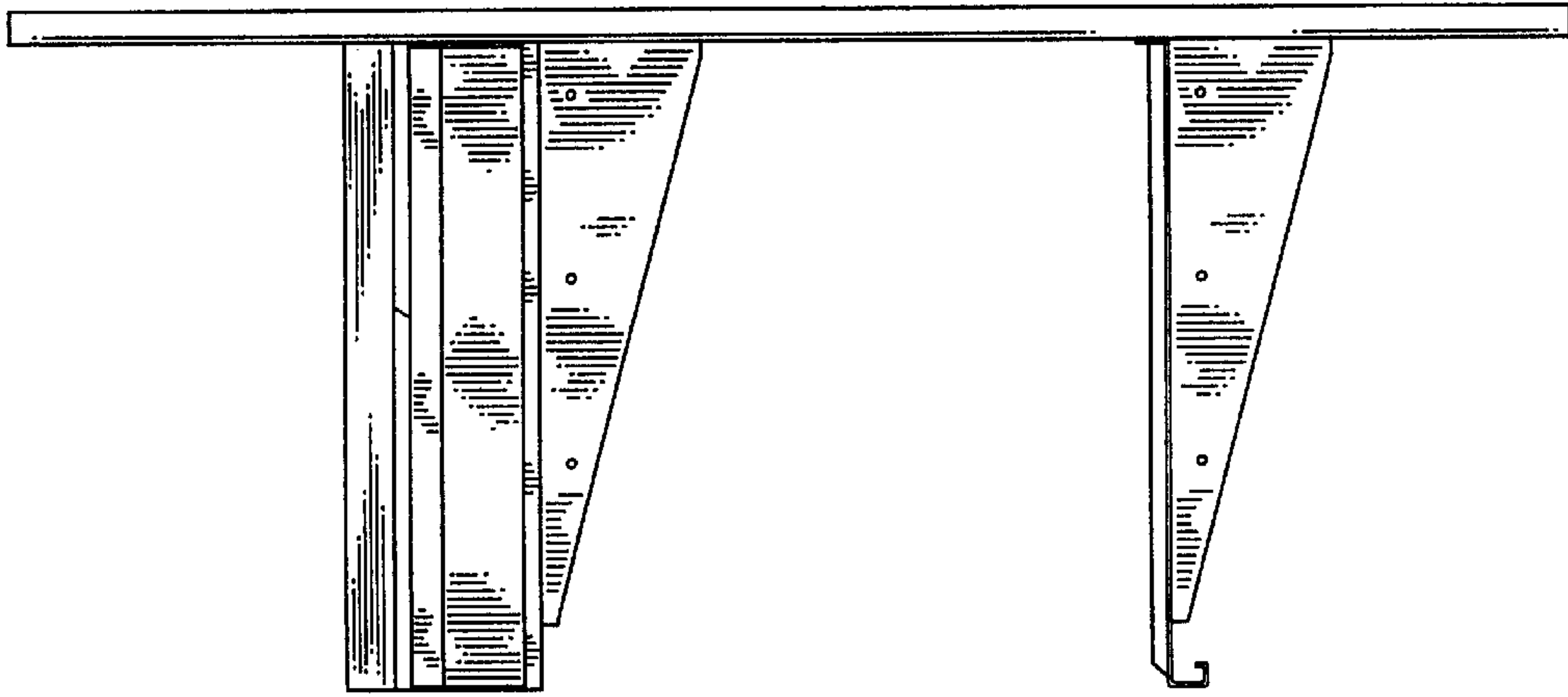


FIG. 4

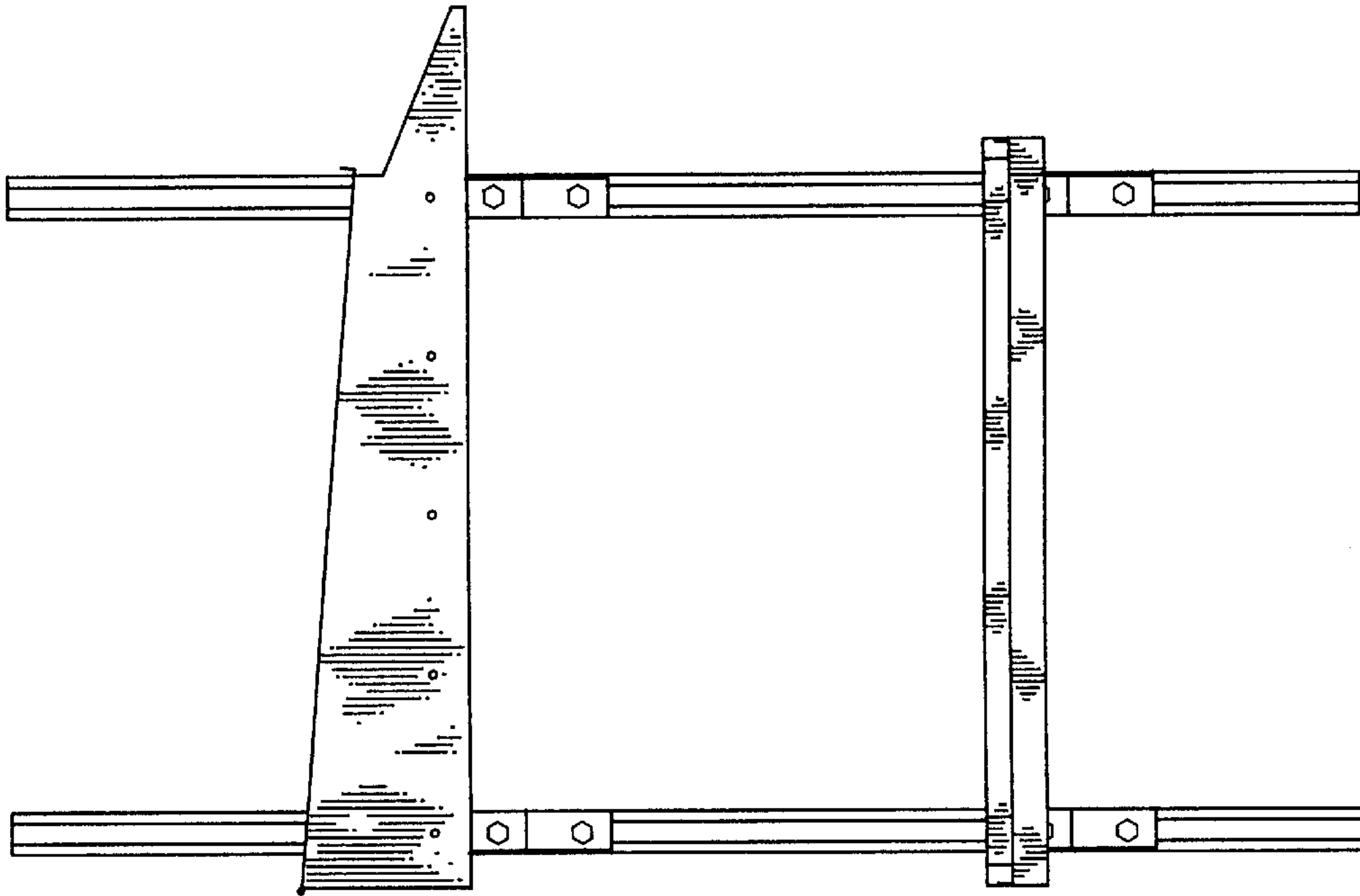


FIG. 2

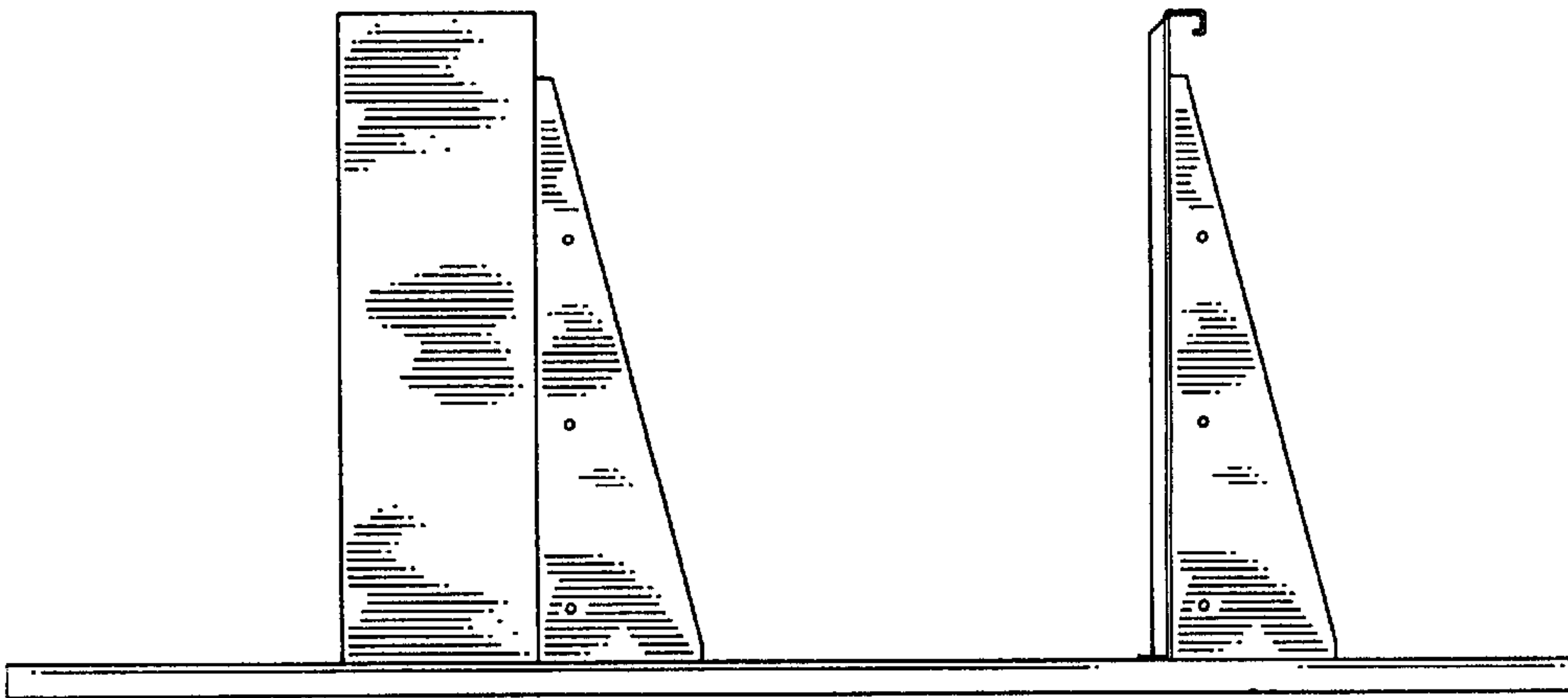


FIG. 3

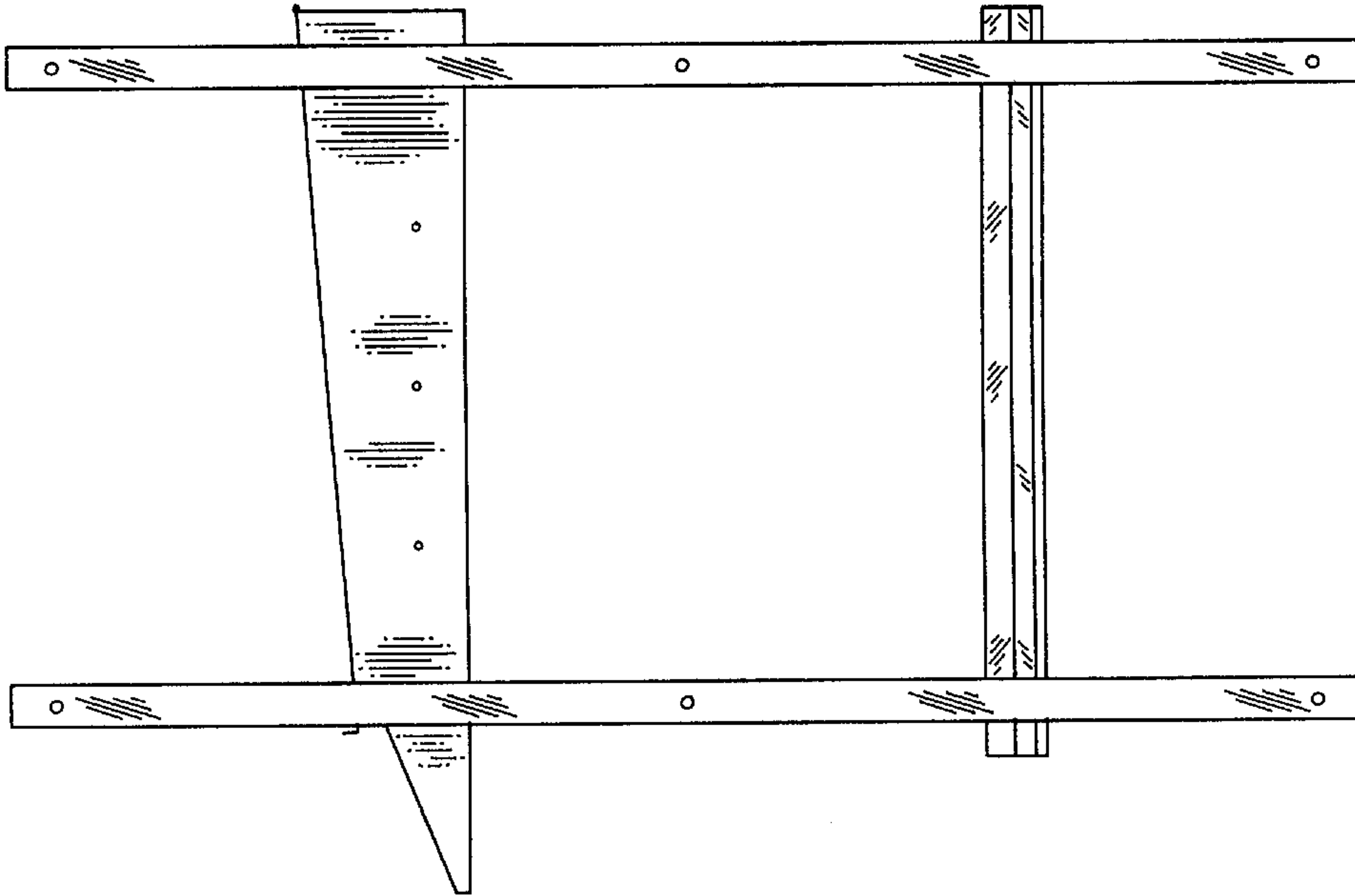


FIG. 5

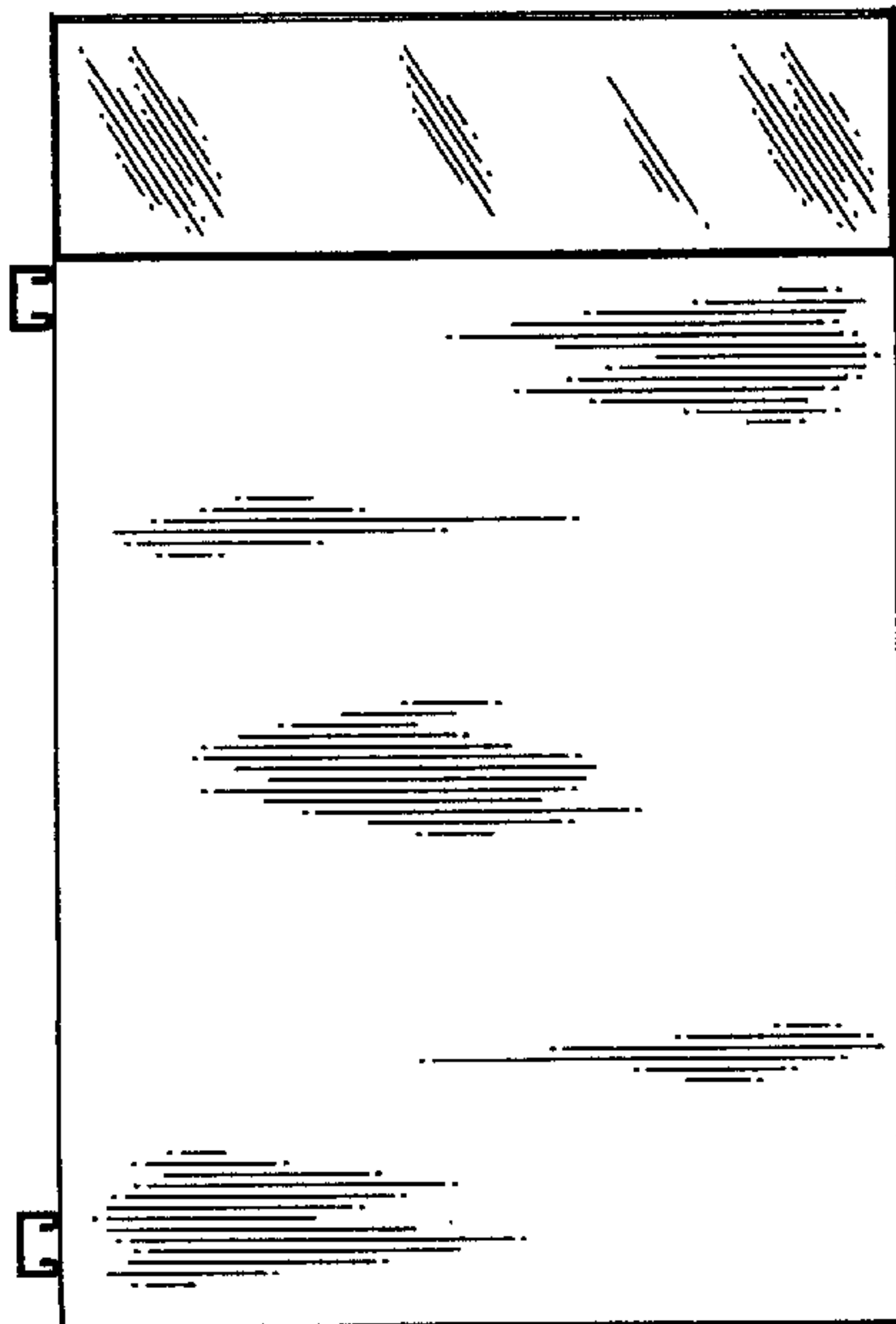


FIG. 6

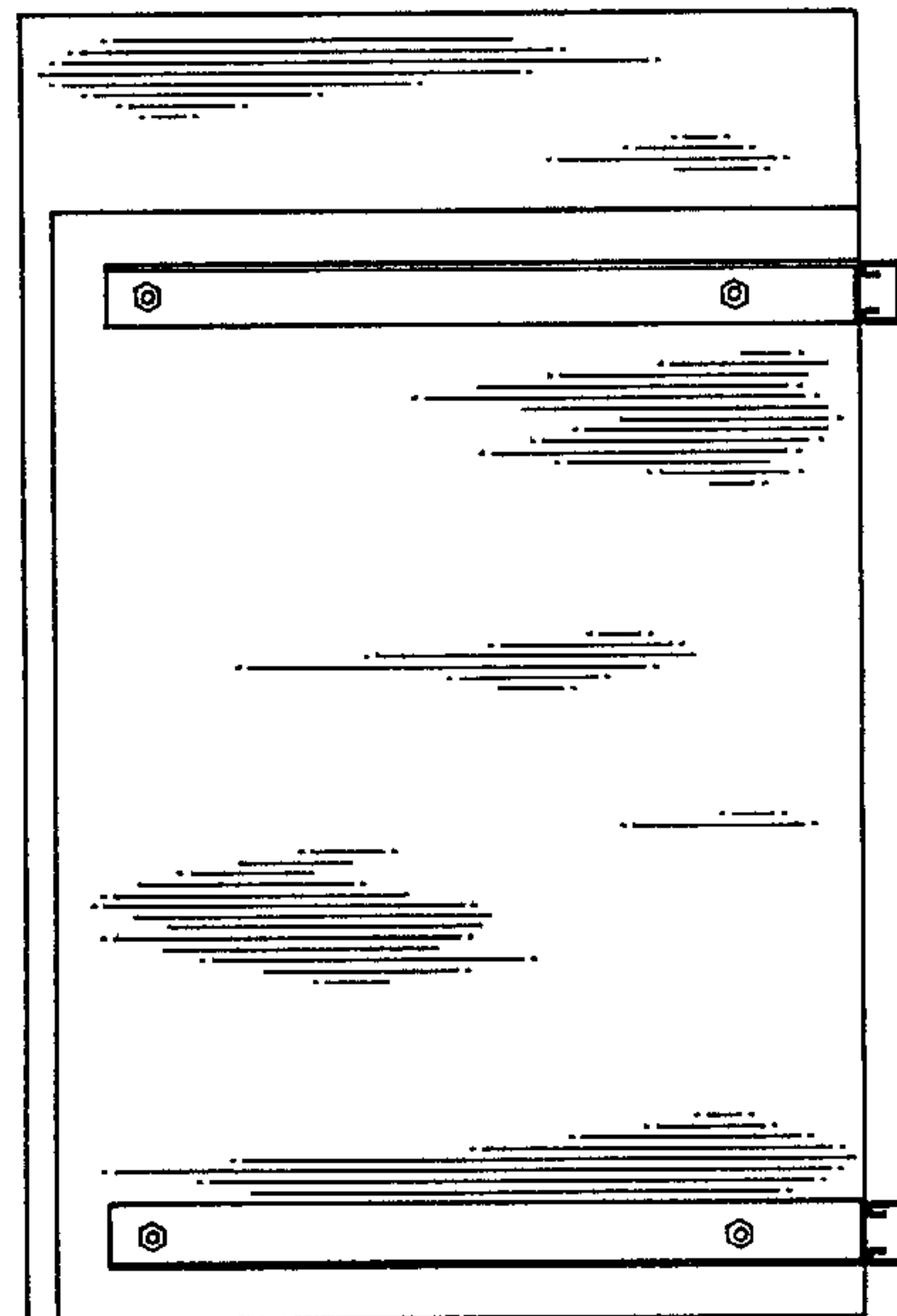


FIG. 7