



US00D424349S

# United States Patent [19] Duggan

[11] **Patent Number: Des. 424,349**

[45] **Date of Patent: \*\* May 9, 2000**

[54] **SOAP DISH**

D. 407,248 3/1999 Scholpp ..... D6/524  
D. 407,931 4/1999 Sweetman ..... D6/524

[75] Inventor: **Michael P. Duggan**, Brookside, N.J.

[73] Assignee: **Melard Manufacturing Corp.**, Passaic, N.J.

*Primary Examiner*—Brian N. Vinson  
*Attorney, Agent, or Firm*—Edgar A. Zarins; Lloyd D. Doigan

[\*\*] Term: **14 Years**

[57] **CLAIM**

[21] Appl. No.: **29/106,843**

The ornamental design for a soap dish, as shown and described.

[22] Filed: **Jun. 22, 1999**

**DESCRIPTION**

[51] **LOC (7) Cl.** ..... **07-07**

FIG. 1 is a perspective view of a soap dish showing my new design;

[52] **U.S. Cl.** ..... **D6/540**

FIG. 2 is a right side view thereof, the opposite side being a mirror image of the side shown;

[58] **Field of Search** ..... D6/536-540, 532, D6/524; D27/102, 104; 211/13.1, 86, 88, 126, 134.1; 248/309.1; 206/77.1

FIG. 3 is a front elevational view thereof;

FIG. 4 is a rear elevational view thereof;

FIG. 5 is top plan view thereof; and,

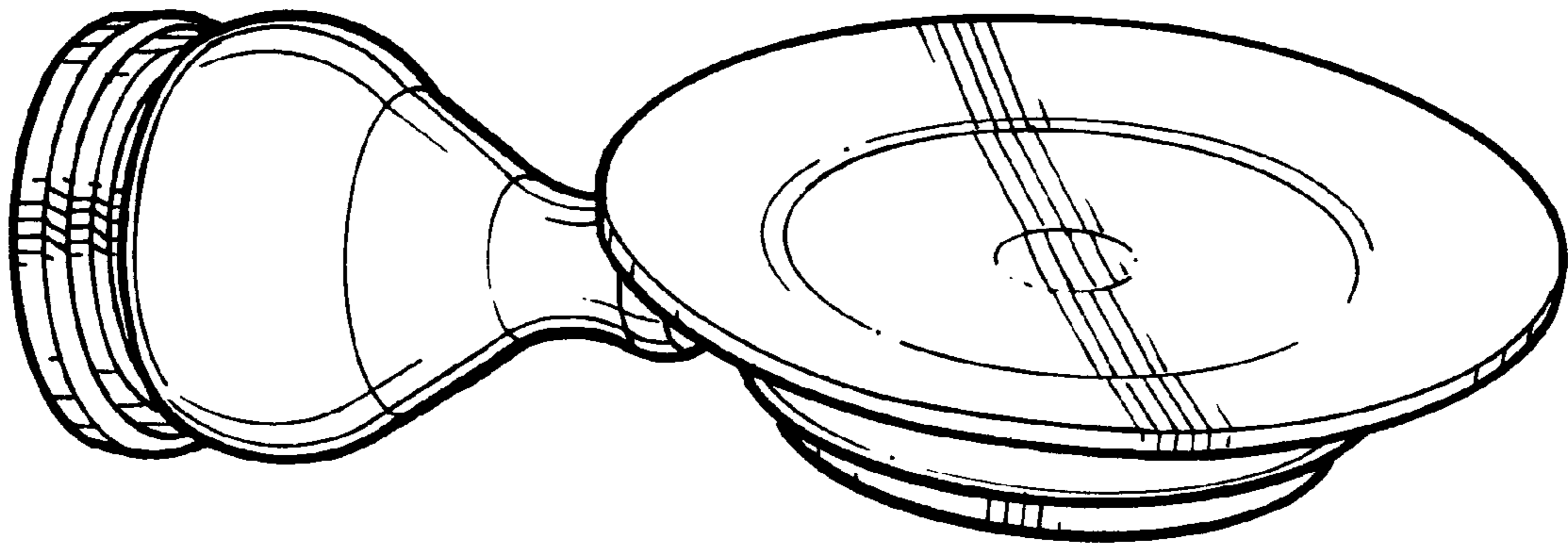
FIG. 6 is a bottom plan view thereof.

[56] **References Cited**

**U.S. PATENT DOCUMENTS**

D. 358,518 5/1995 Sharpe ..... D6/540  
D. 390,393 2/1998 Sharpe ..... D6/540

**1 Claim, 2 Drawing Sheets**



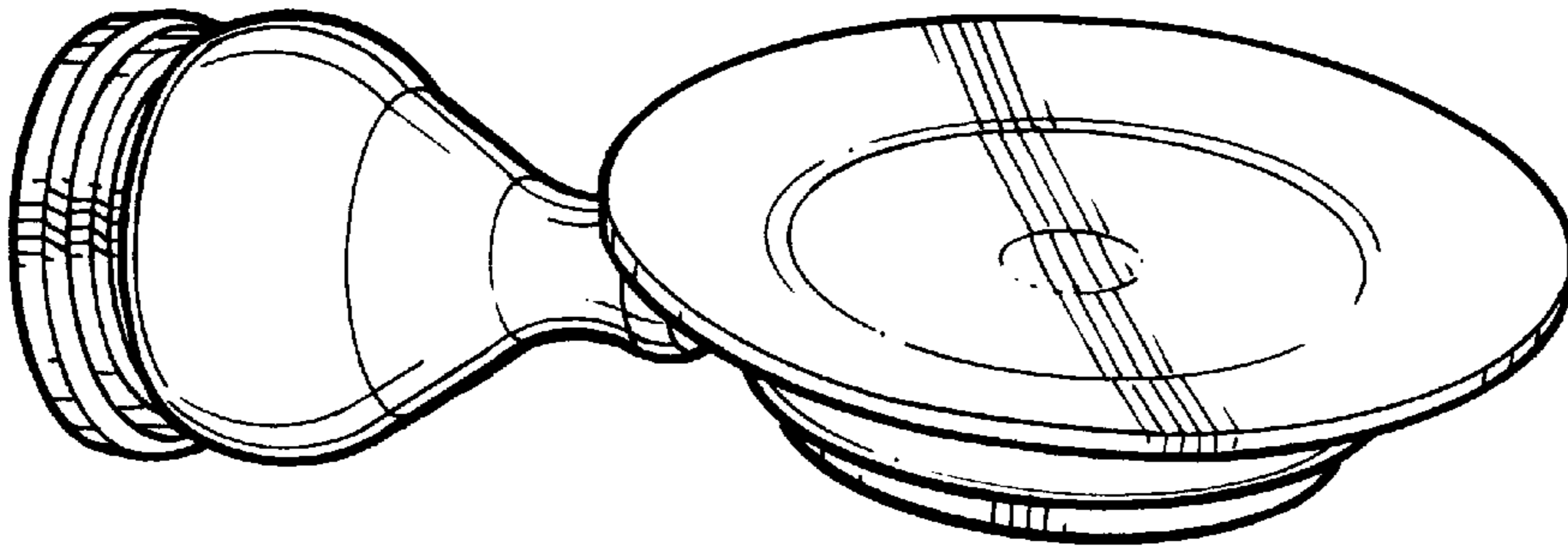


Fig-1

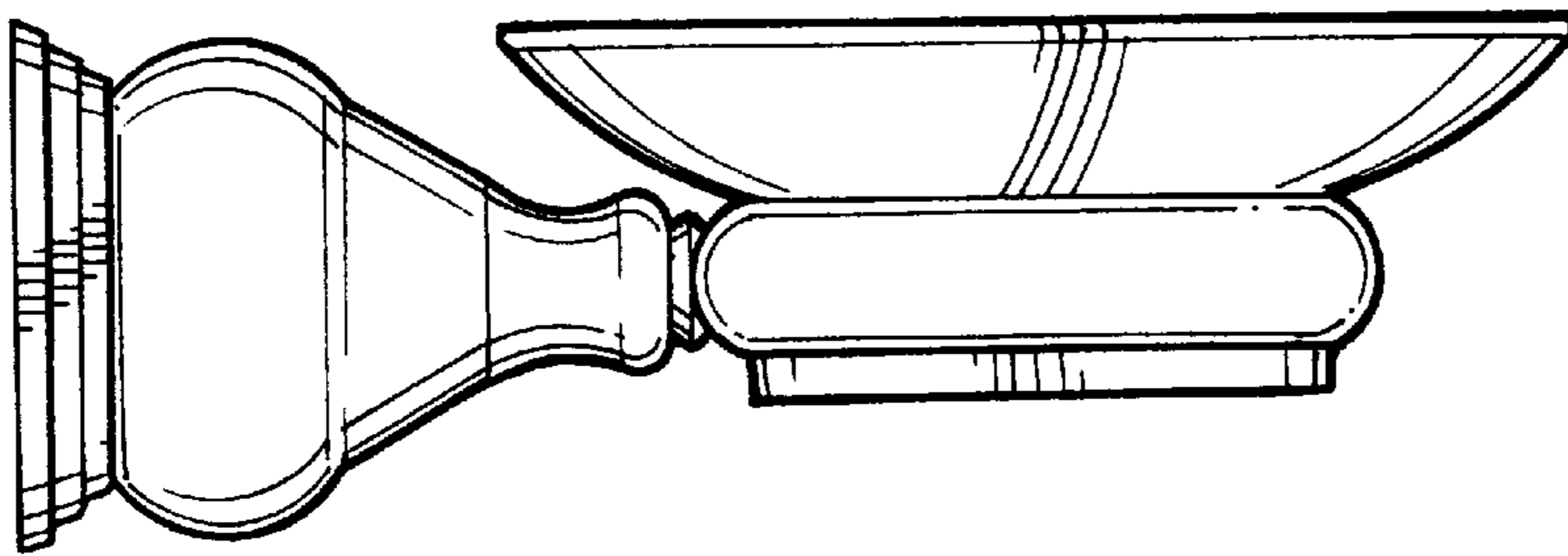


Fig-2

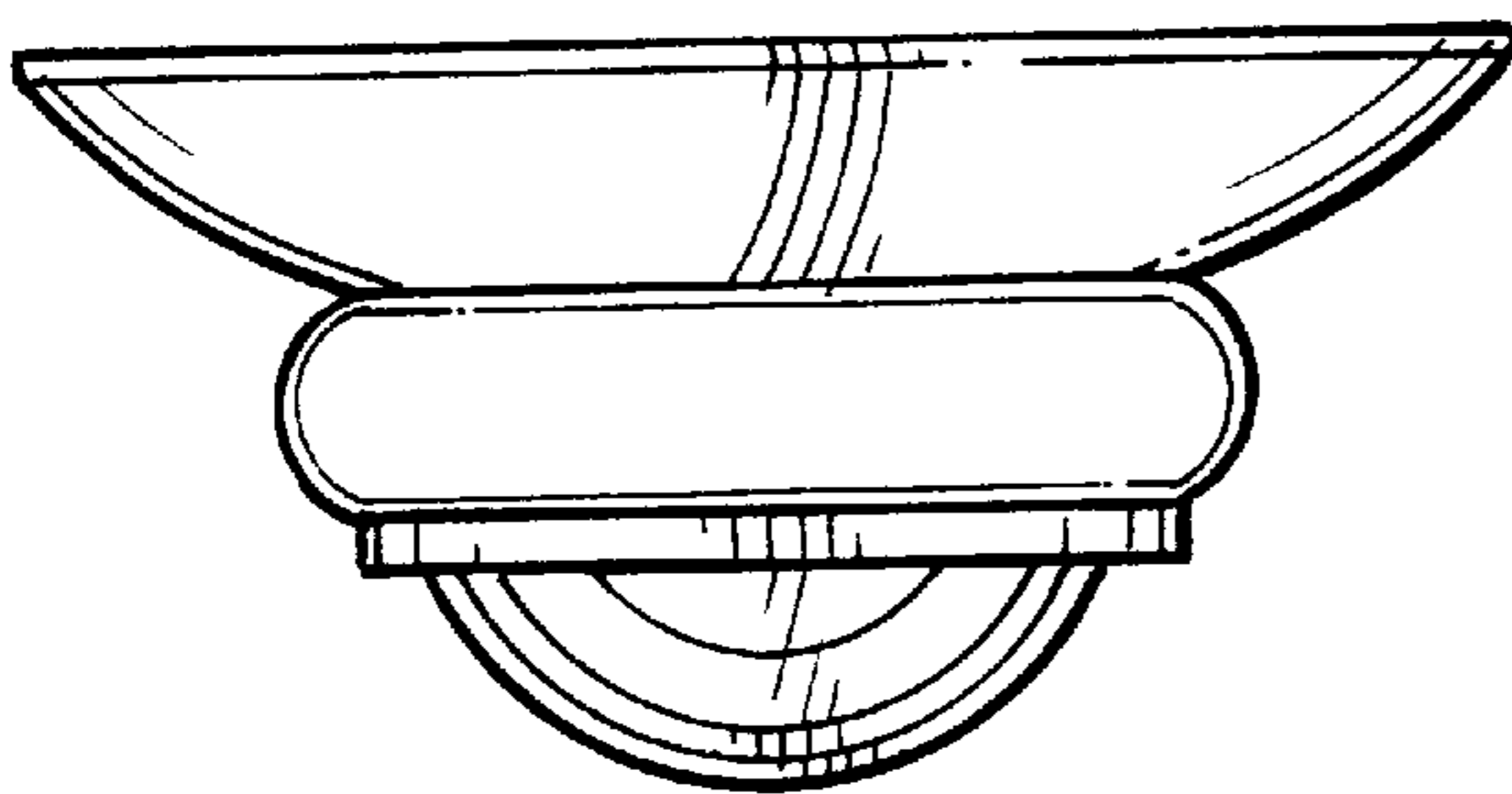


Fig-3

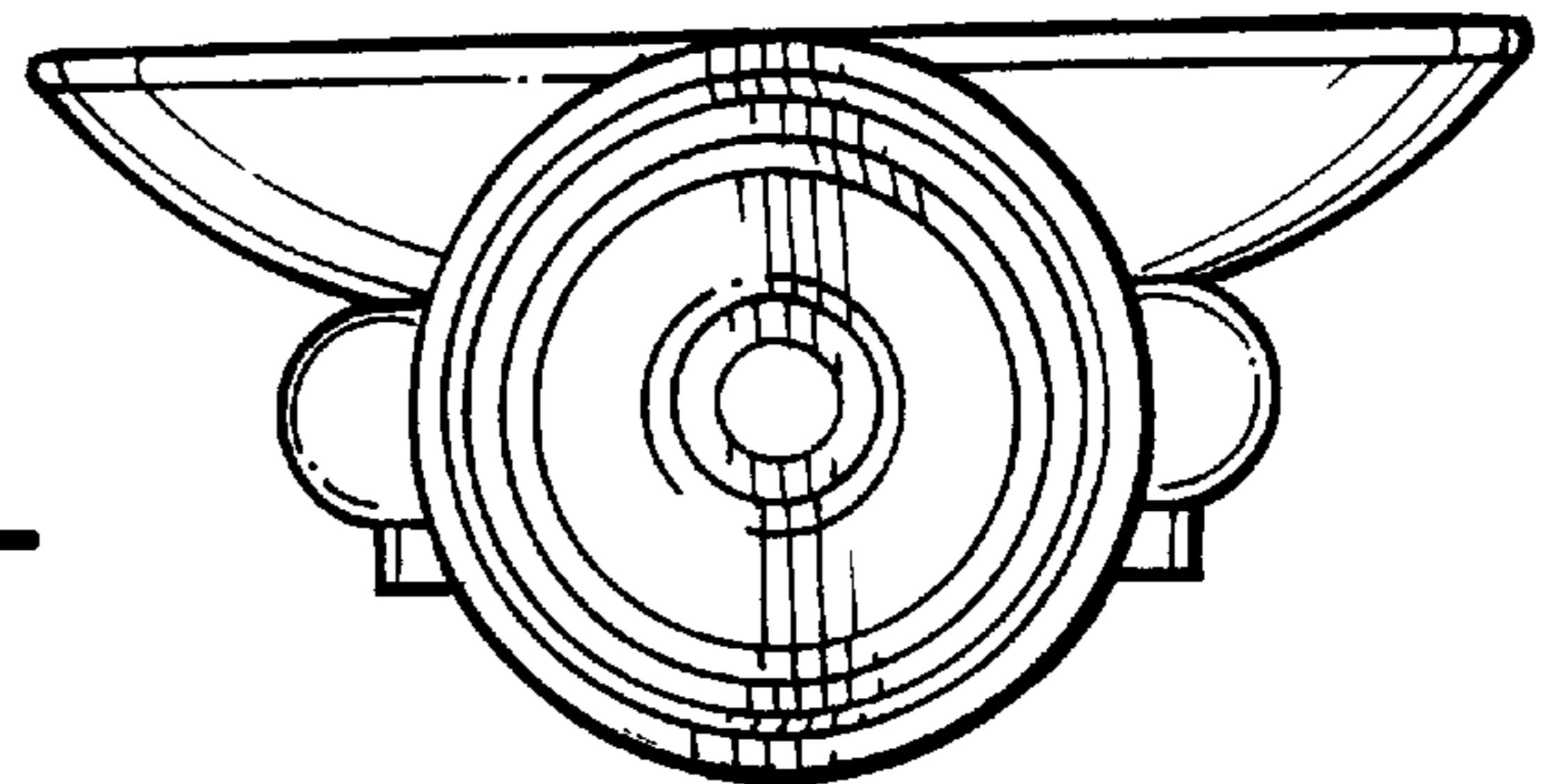


Fig-4

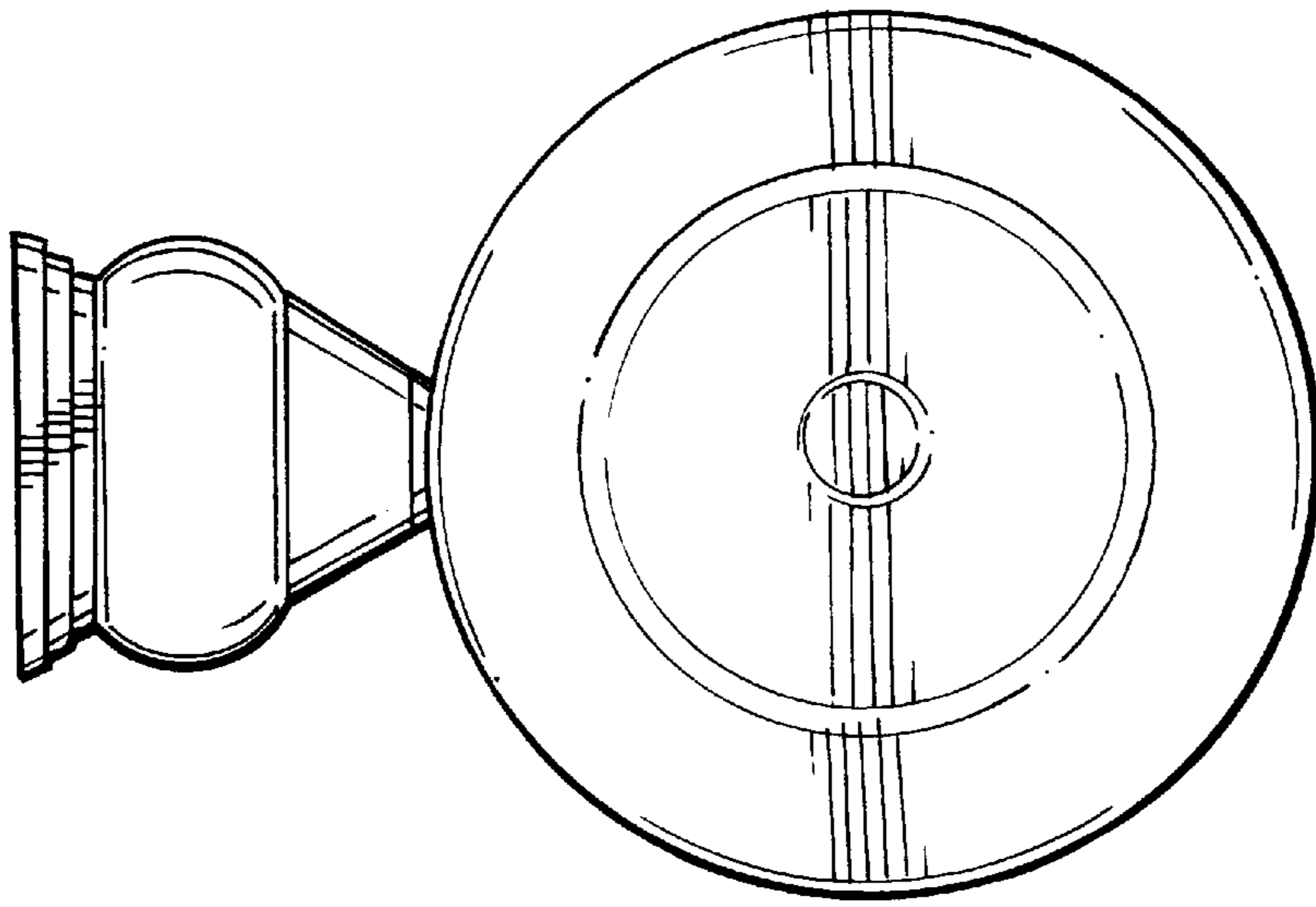


Fig-5

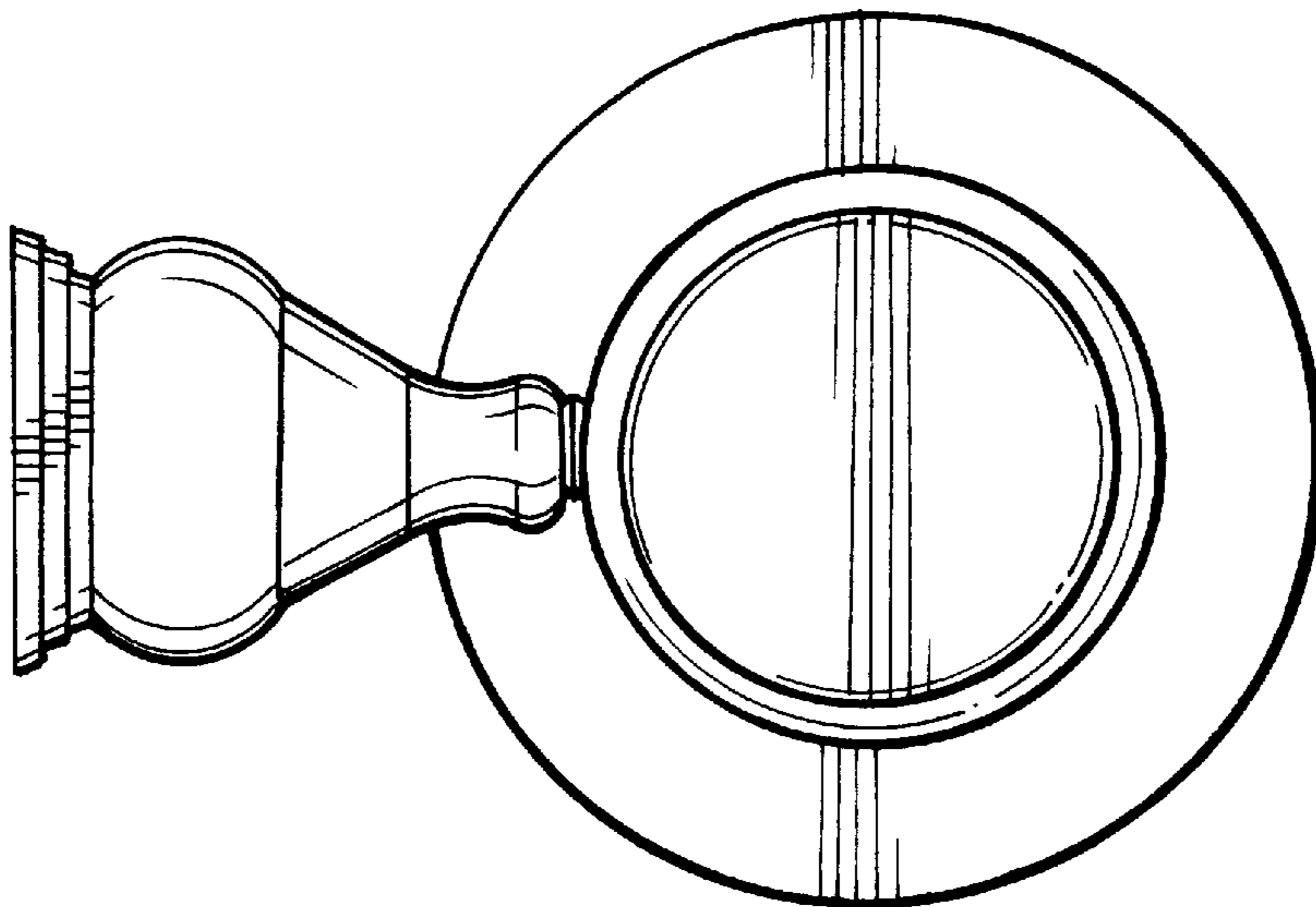


Fig-6