



US00D424348S

United States Patent [19] Duggan

[11] **Patent Number: Des. 424,348**

[45] **Date of Patent: ** May 9, 2000**

[54] **SOAP DISH**

D. 390,393 2/1998 Sharpe D6/540
D. 407,248 3/1999 Scholpp D6/534

[75] Inventor: **Michael P. Duggan**, Brookside, N.J.

Primary Examiner—Brian N. Vinson

[73] Assignee: **Melard Manufacturing Corp.**, Passaic, N.J.

Attorney, Agent, or Firm—Edgar A. Zarins; Lloyd D. Doigan

[**] Term: **14 Years**

[57] CLAIM

[21] Appl. No.: **29/106,842**

The ornamental design for a soap dish, as shown and described.

[22] Filed: **Jun. 22, 1999**

DESCRIPTION

[51] **LOC (7) Cl.** **07-07**

FIG. 1 is a perspective view of a soap dish showing my new design;

[52] **U.S. Cl.** **D6/540**

FIG. 2 is a top plan view thereof;

[58] **Field of Search** D6/536-540, 532,
D6/524; D27/102, 104; 211/13.1, 86, 88,
126, 134.1; 248/309.1; 206/77.1

FIG. 3 is a bottom plan view thereof;

FIG. 4 is a right side view thereof, the opposite side being a mirror image of the side shown;

[56] References Cited

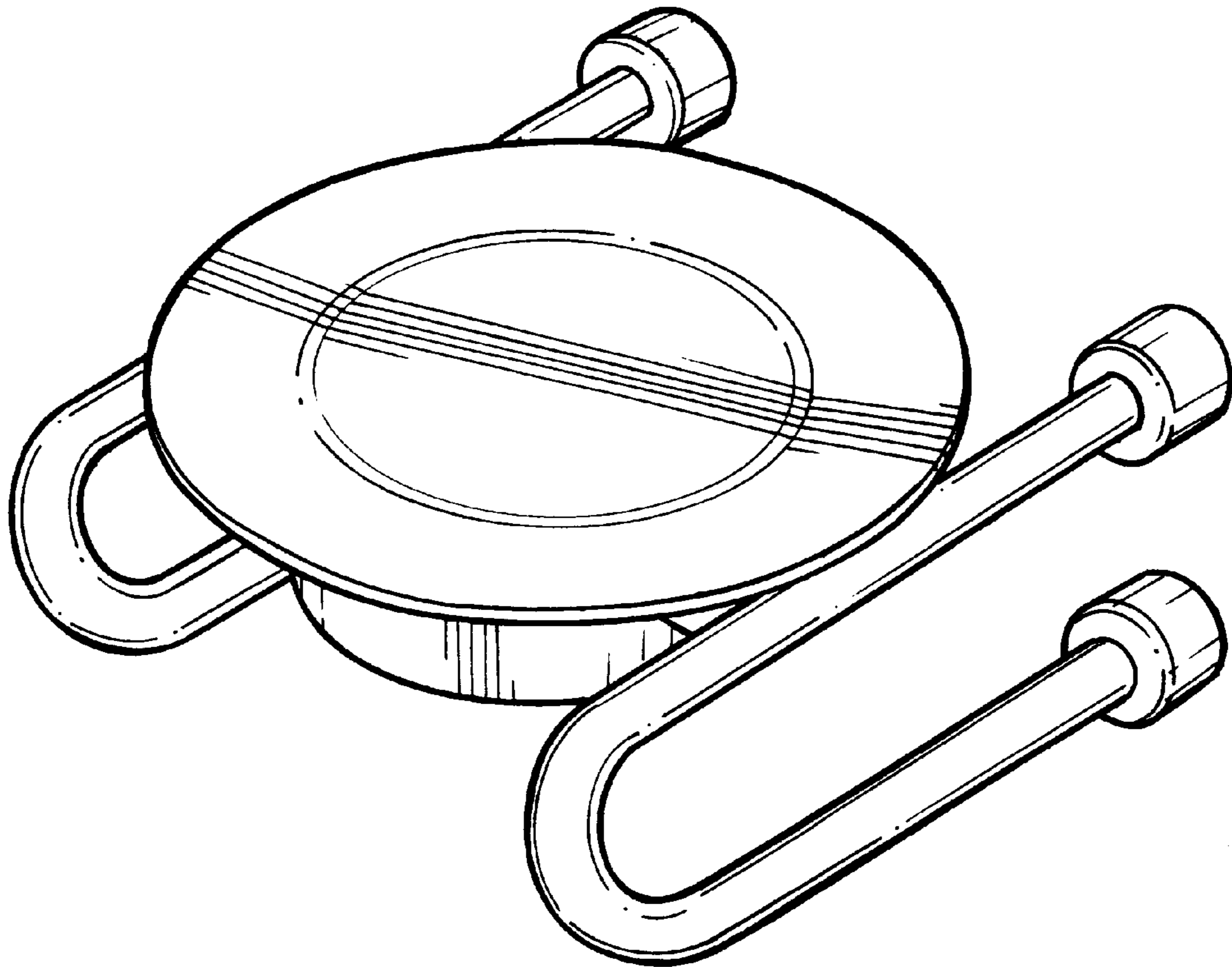
FIG. 5 is a front elevational view thereof; and,

FIG. 6 is a rear elevational view thereof.

U.S. PATENT DOCUMENTS

D. 358,518 5/1995 Sharpe D6/540

1 Claim, 3 Drawing Sheets



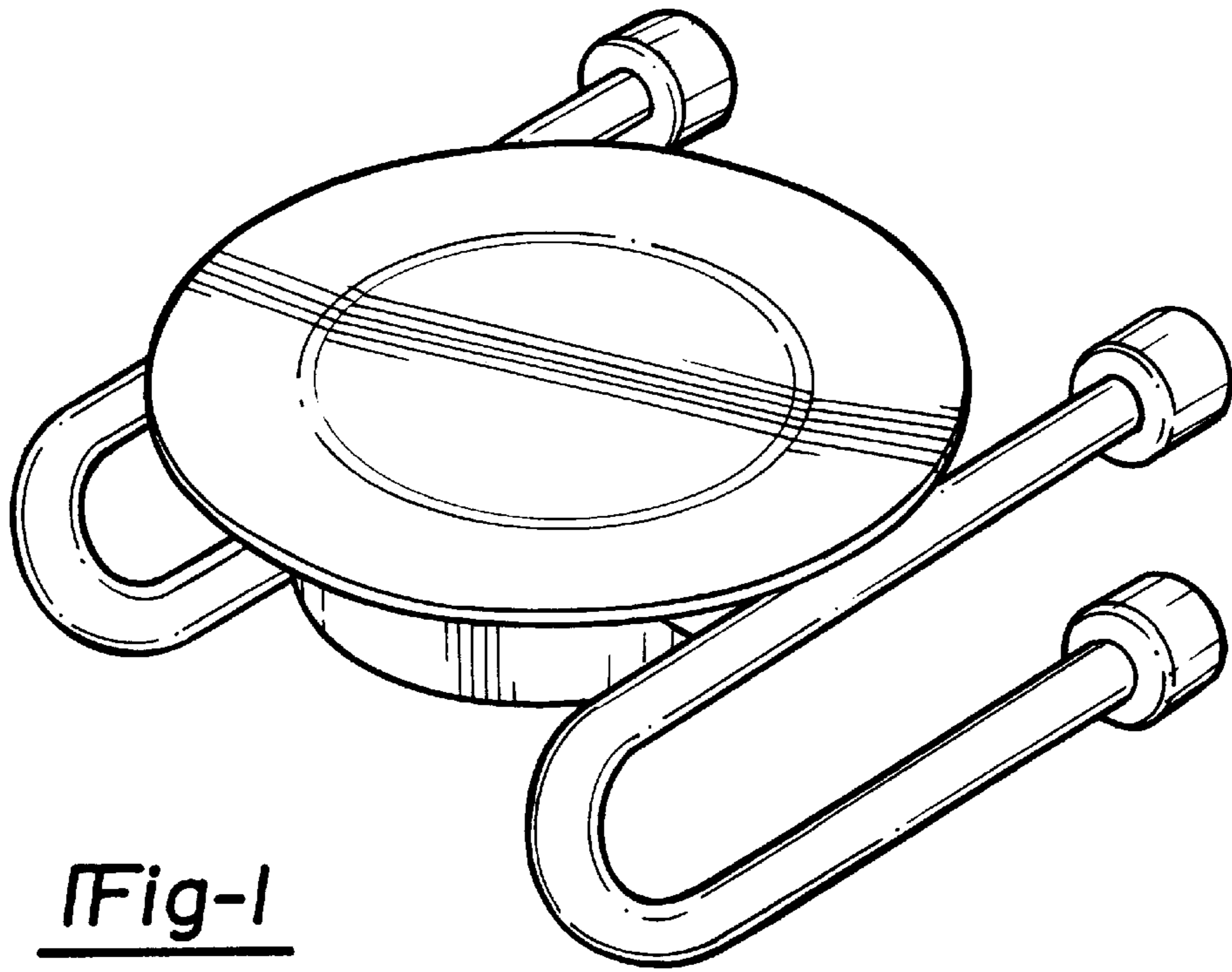


Fig-1

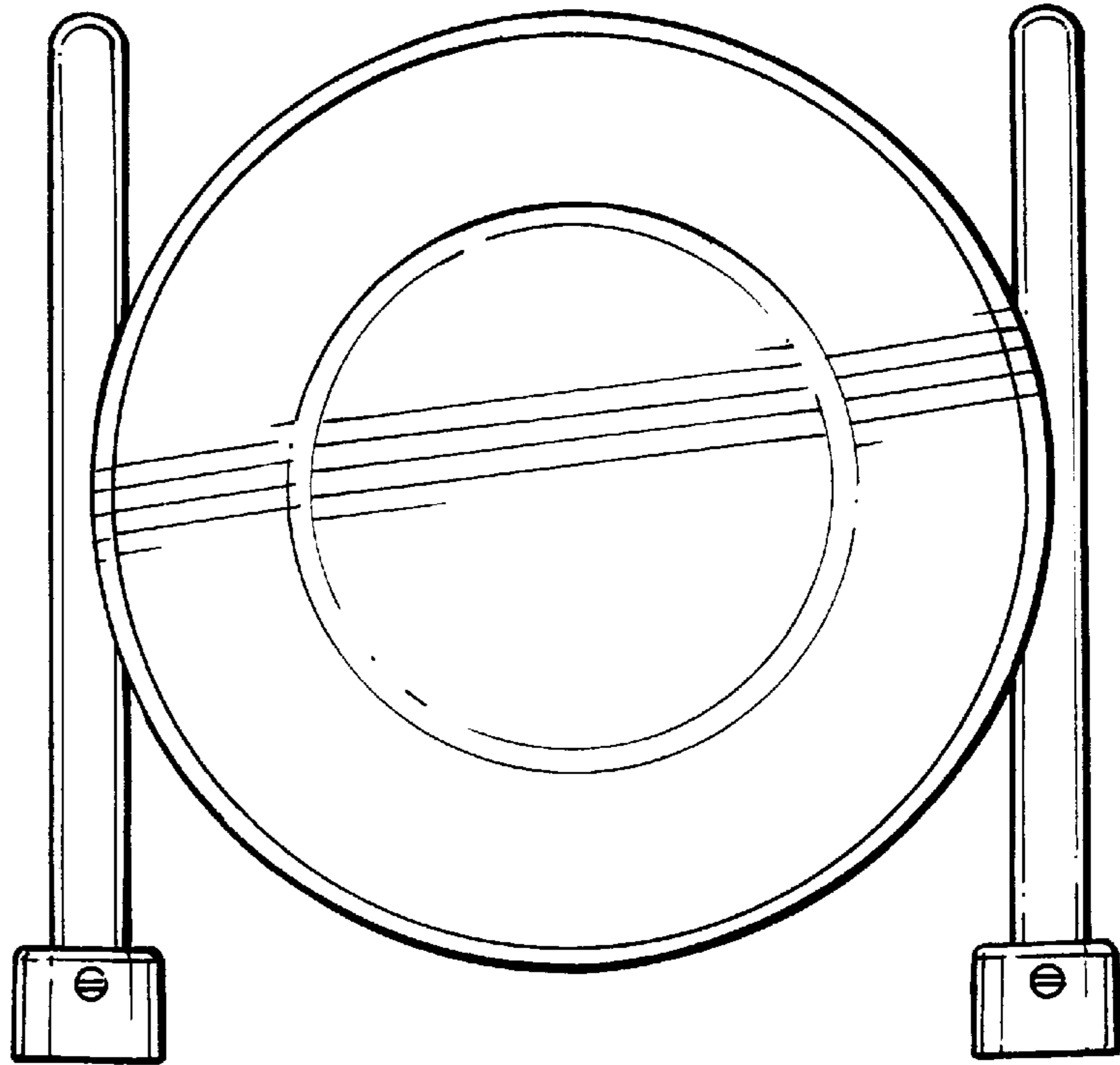


Fig-2

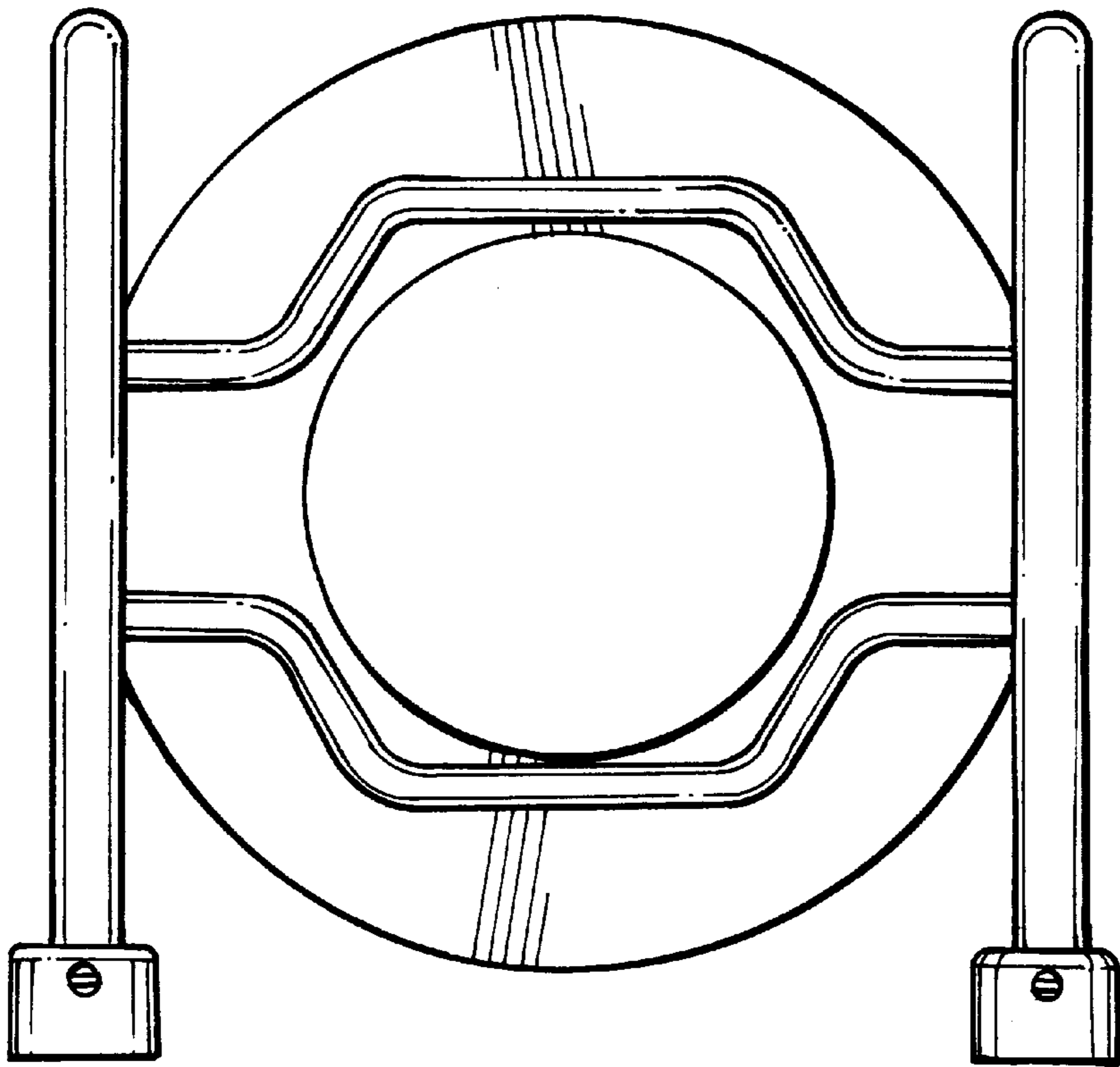


Fig-3

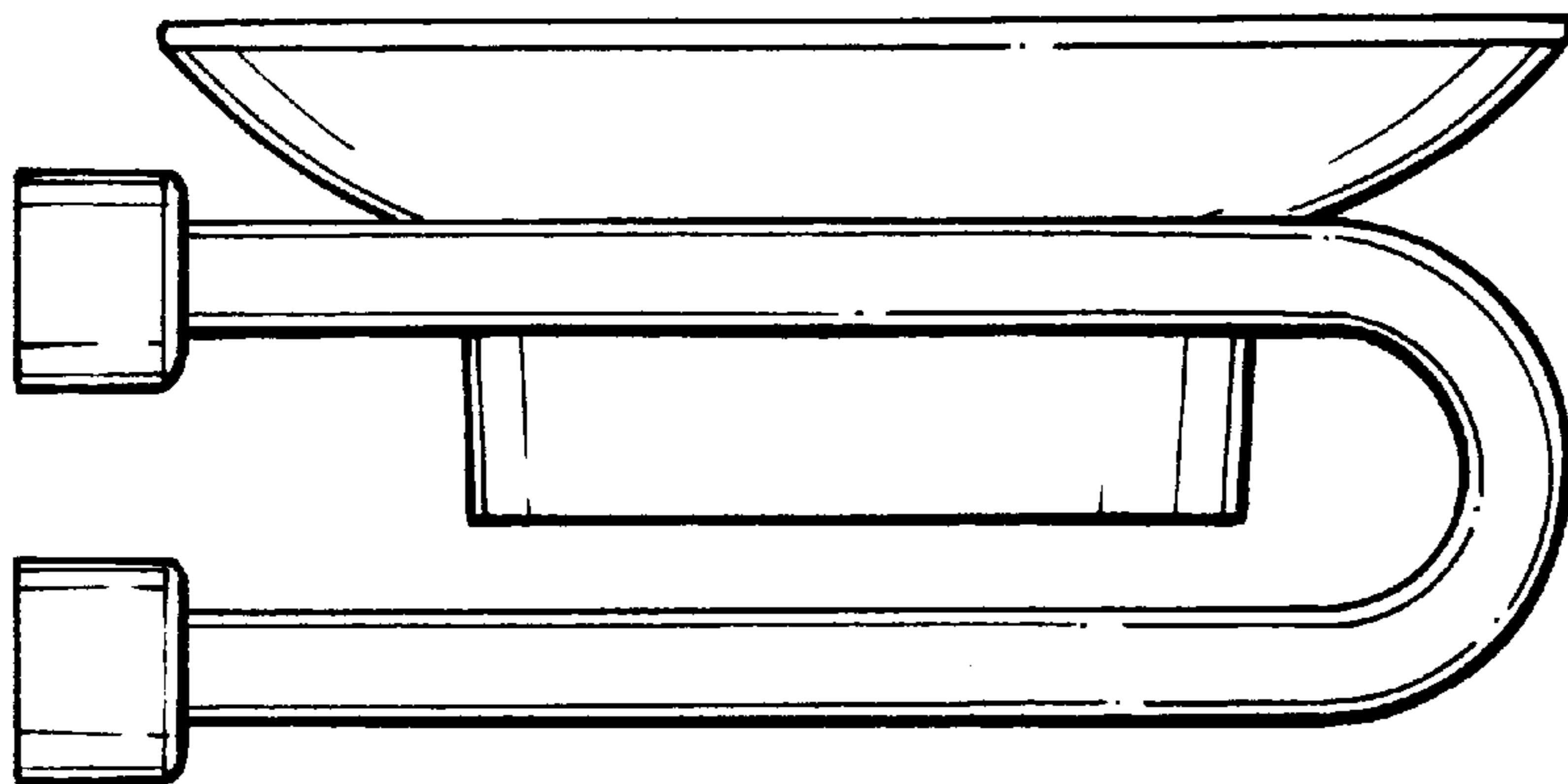


Fig-4

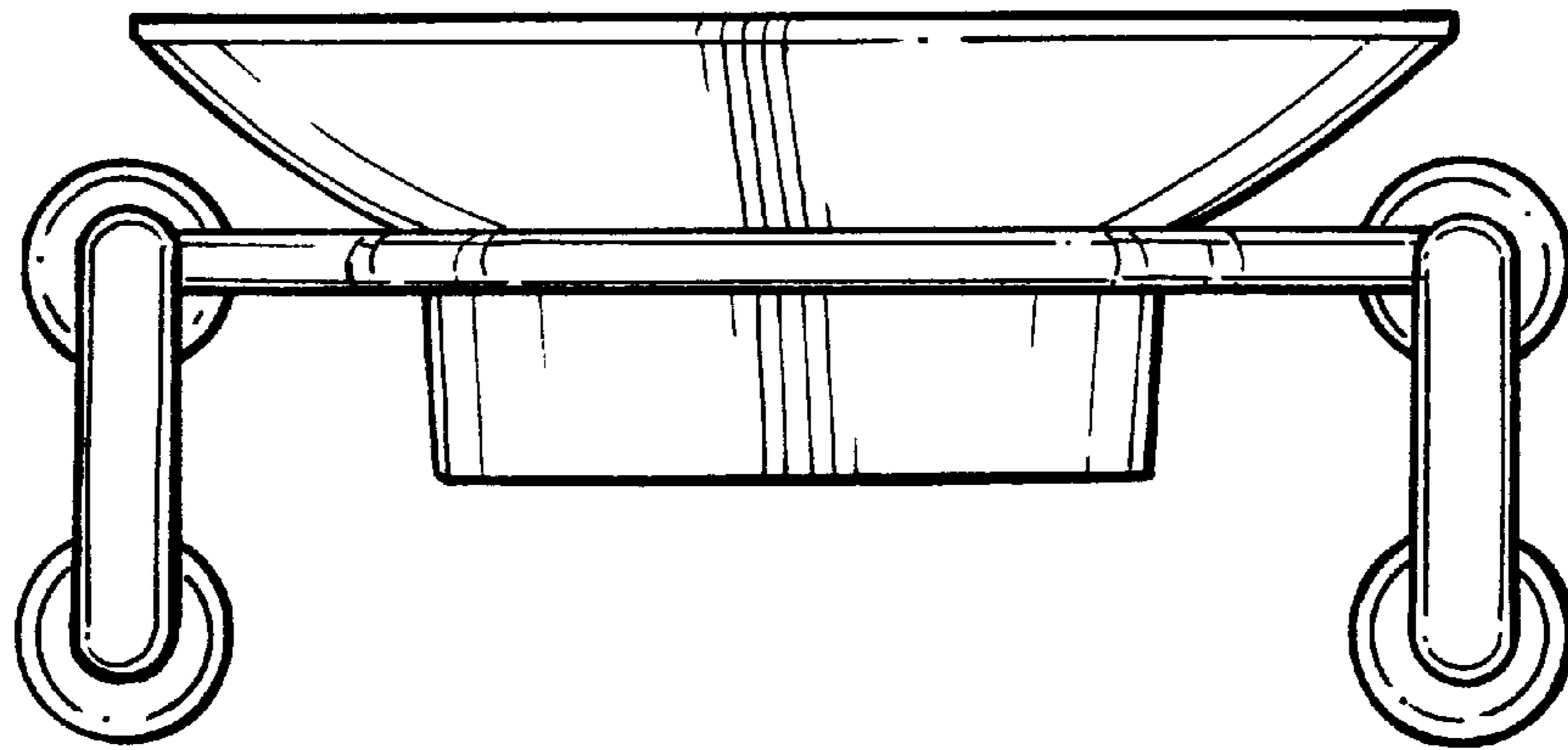


Fig-5

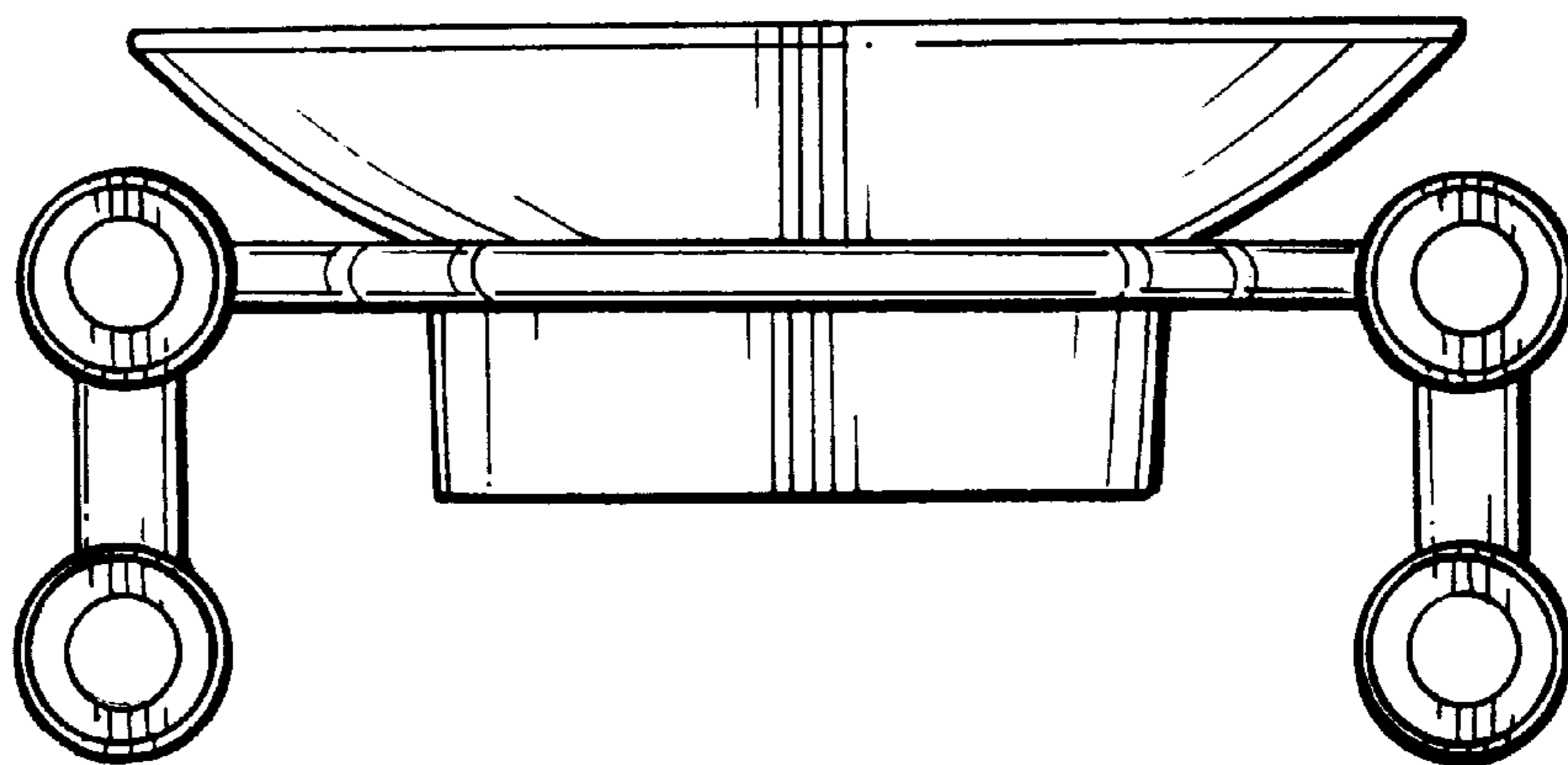


Fig-6