



US00D424347S

**United States Patent** [19]  
**Bidegain**

[11] **Patent Number: Des. 424,347**

[45] **Date of Patent: \*\* May 9, 2000**

[54] **BATHING FOOT SUPPORT AND ACCESSORY CADDY**

3,295,470 1/1967 Johnson ..... 211/65 X  
4,219,035 8/1980 Deconinck ..... 211/65

[76] Inventor: **Marty E. Bidegain**, P.O. Box 11171,  
Casa Grande, Ariz. 85230

*Primary Examiner*—Brian N. Vinson  
*Attorney, Agent, or Firm*—Gregory J. Nelson

[\*\*] Term: **14 Years**

[57] **CLAIM**

[21] Appl. No.: **29/104,212**

I claim the ornamental design for a bathing foot support and accessory caddy, as shown and described.

[22] Filed: **Apr. 30, 1999**

**DESCRIPTION**

[51] **LOC (7) Cl.** ..... **07-07**

[52] **U.S. Cl.** ..... **D6/525**

[58] **Field of Search** ..... D6/524–525, 512,  
D6/514; D28/73; D22/136; D9/549; D32/53;  
D3/901, 304, 307, 308, 310, 313, 315;  
206/207, 210, 216, 223, 570, 581, 349,  
557, 804, 823; 211/65

FIG. 1 is a top, front, and left side perspective view of a bathing foot support and accessory caddy showing my new design in a stored position on the edge of a bathtub, the portion of the bathtub shown in broken lines being for illustrative purposes only and forming no part of the claimed design;

FIG. 2 is a reduced top plan view thereof;

FIG. 3 is a reduced front elevational view thereof;

FIG. 4 is a reduced left side elevational view thereof;

FIG. 5 is a reduced bottom plan view thereof;

FIG. 6 is a reduced right side elevational view thereof; and,

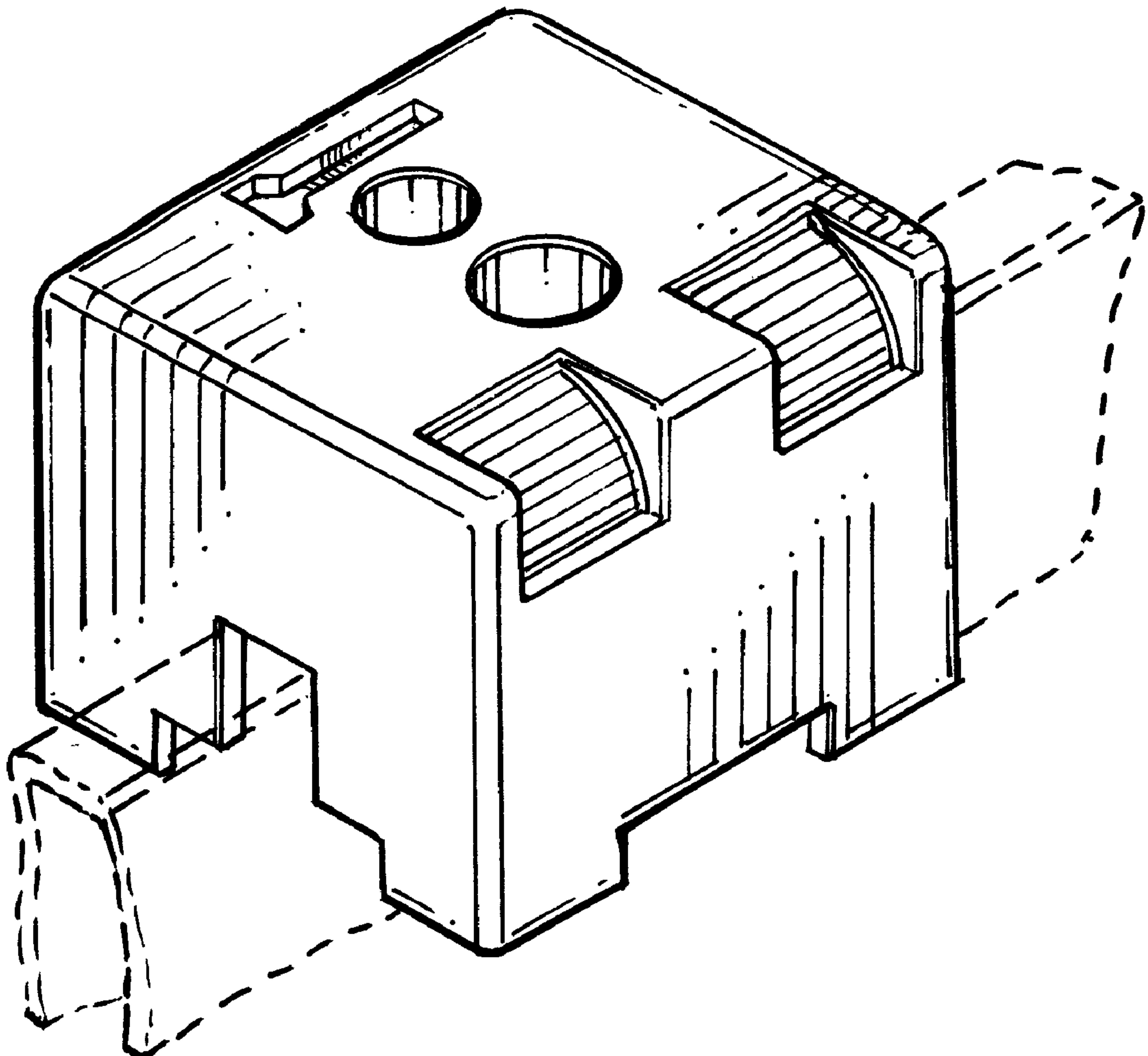
FIG. 7 is a reduced rear elevational view thereof.

[56] **References Cited**

**U.S. PATENT DOCUMENTS**

D. 191,573 10/1961 Pierchalski ..... D6/525  
D. 303,051 8/1989 Steed ..... D6/525 X  
D. 381,229 7/1997 Yemini ..... D6/525

**1 Claim, 1 Drawing Sheet**



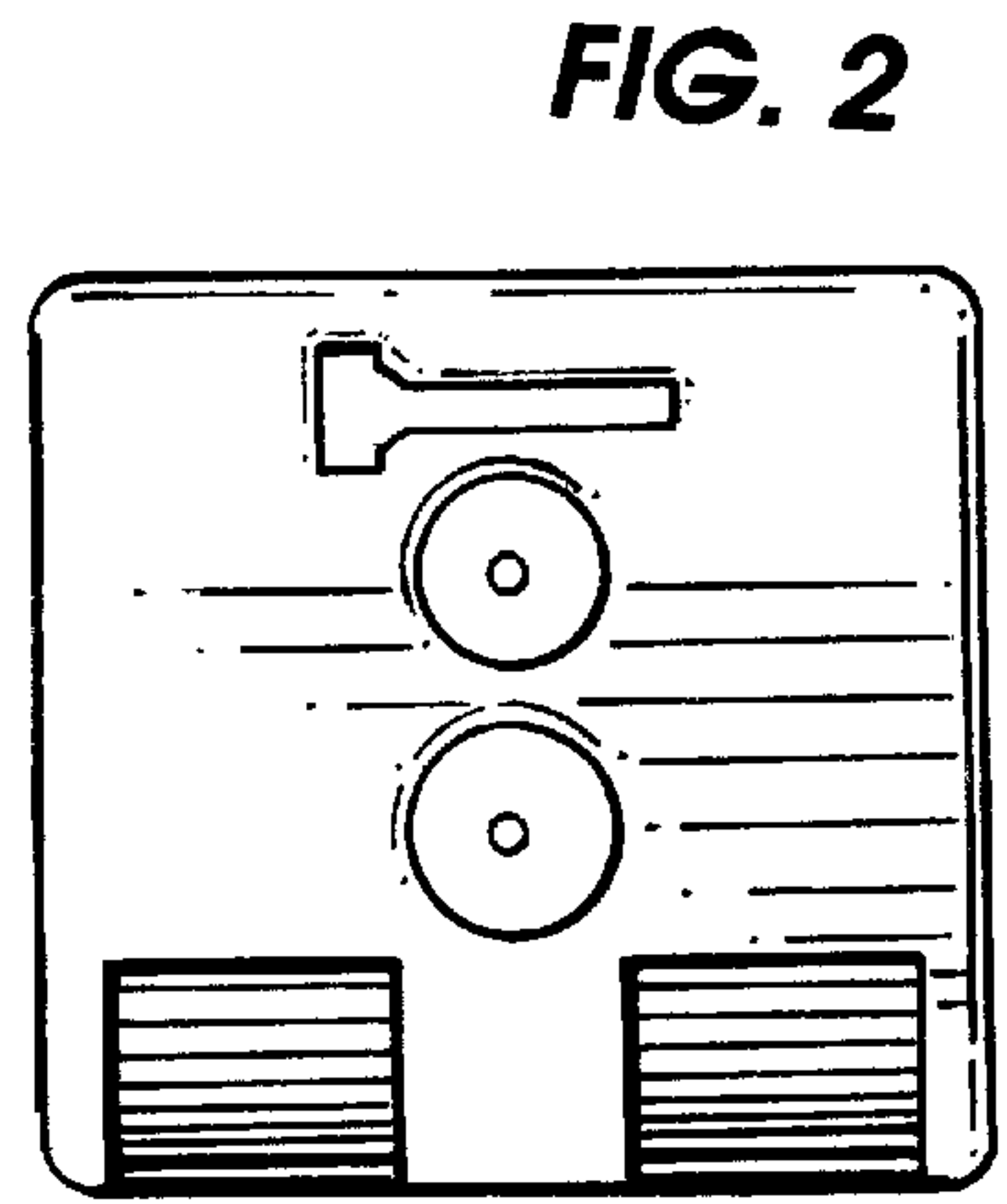
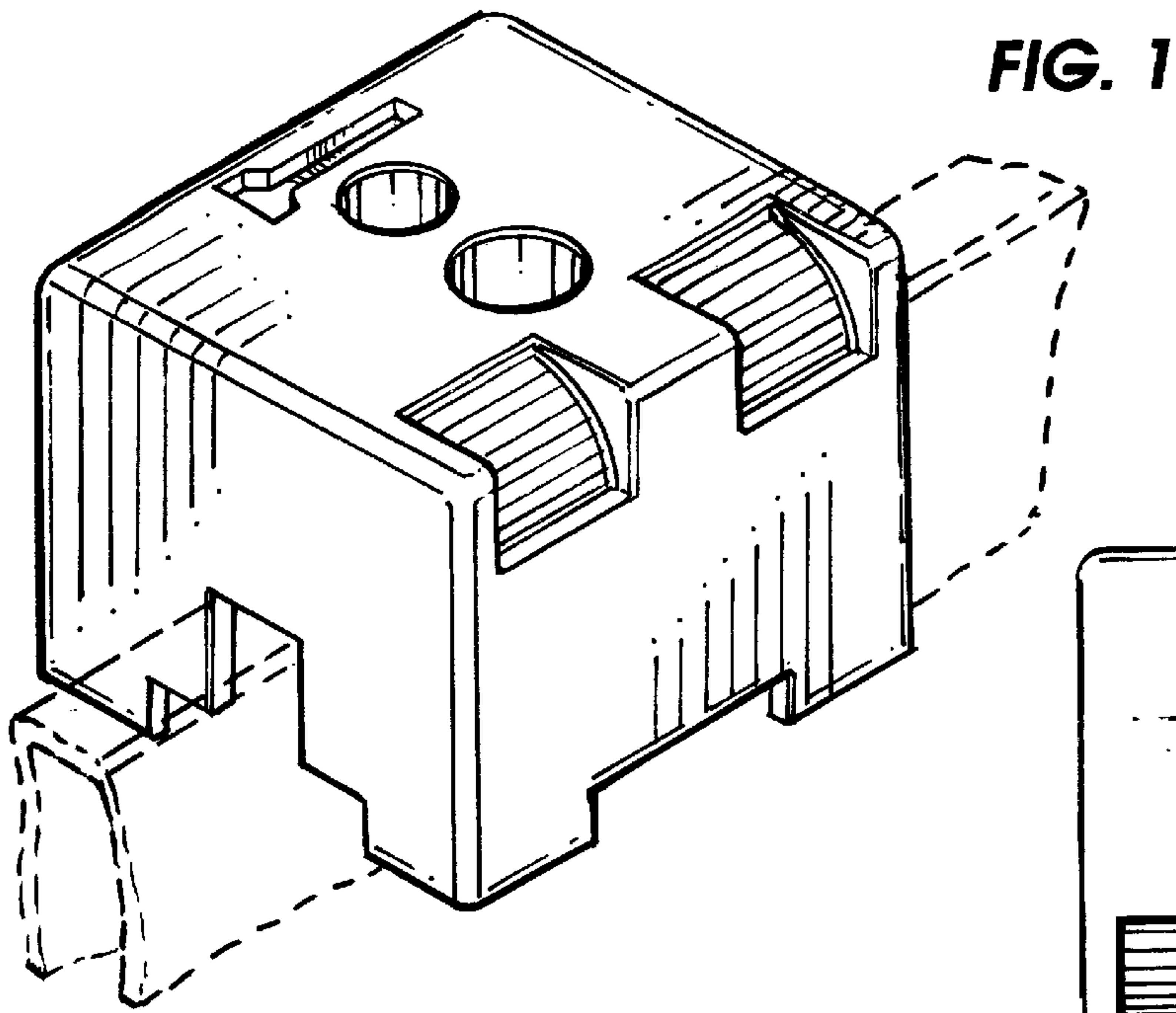


FIG. 4

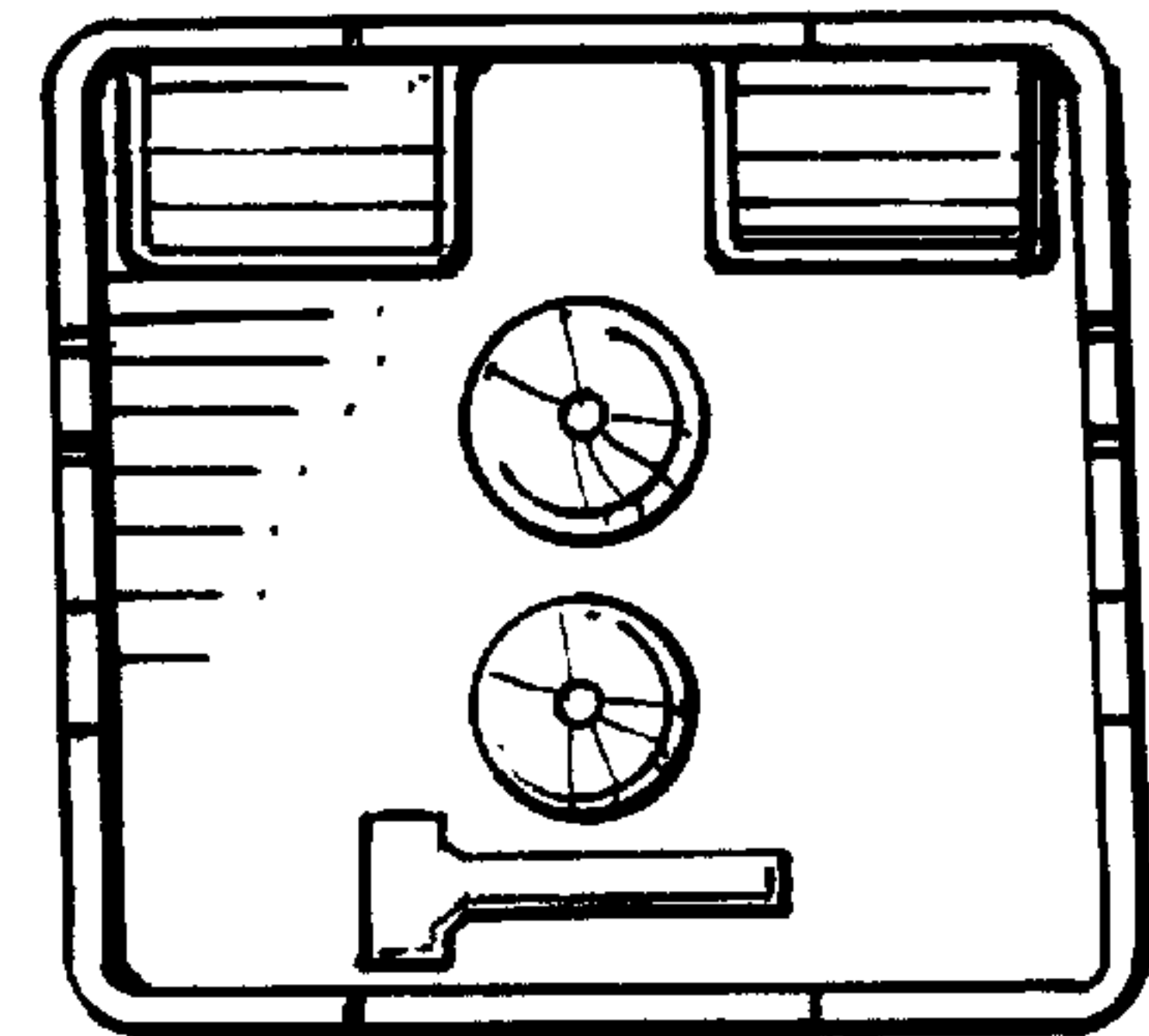
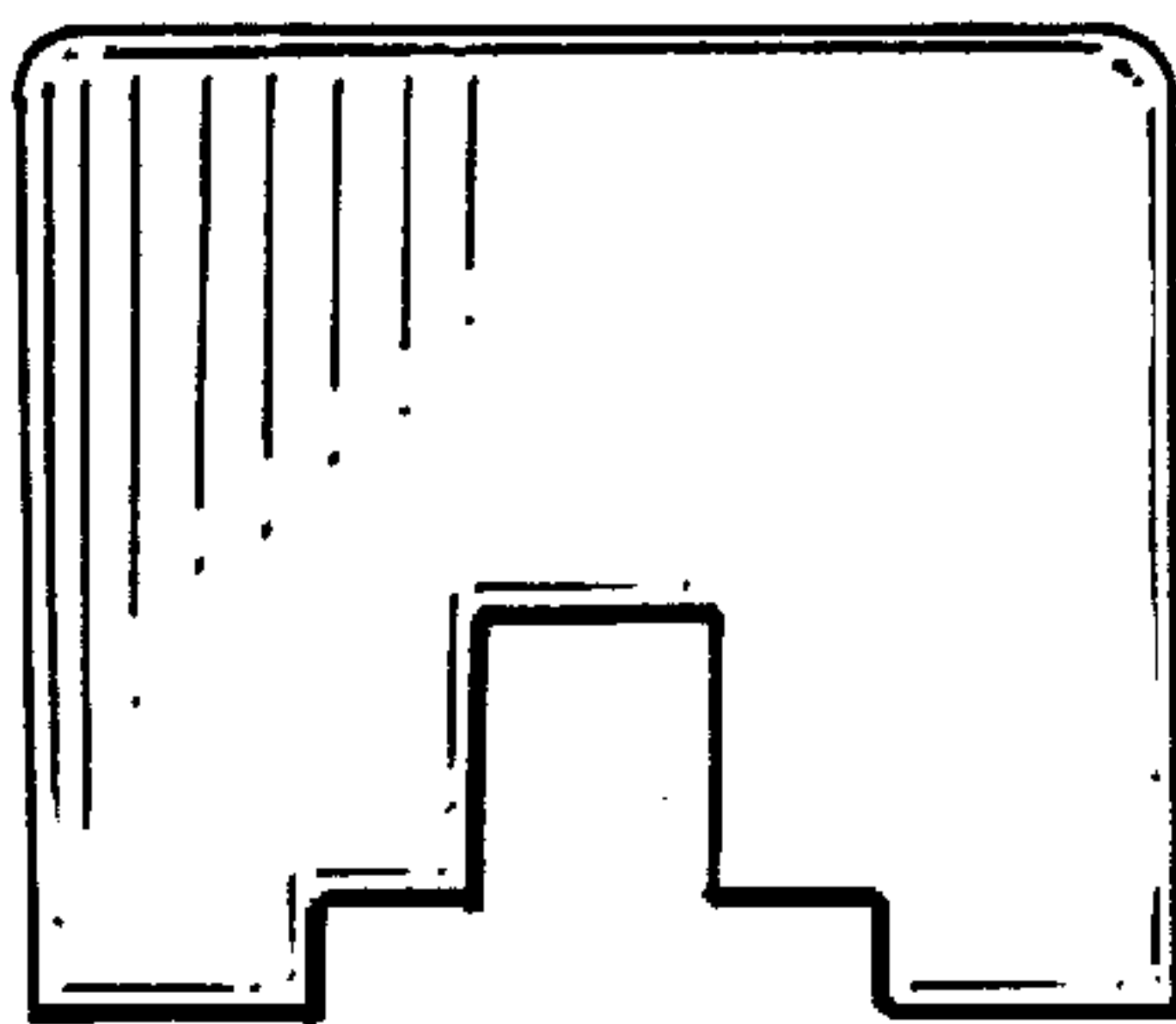
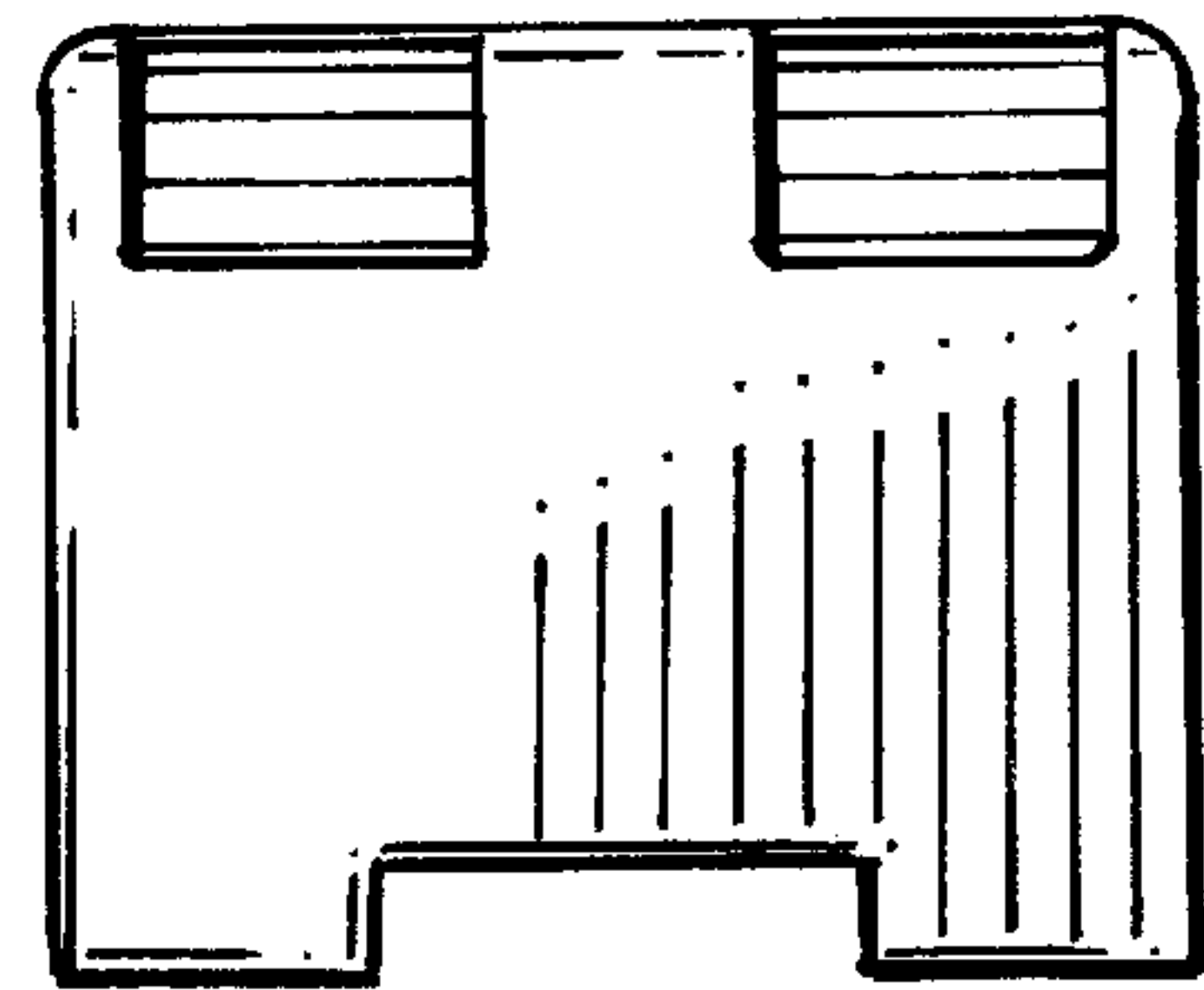
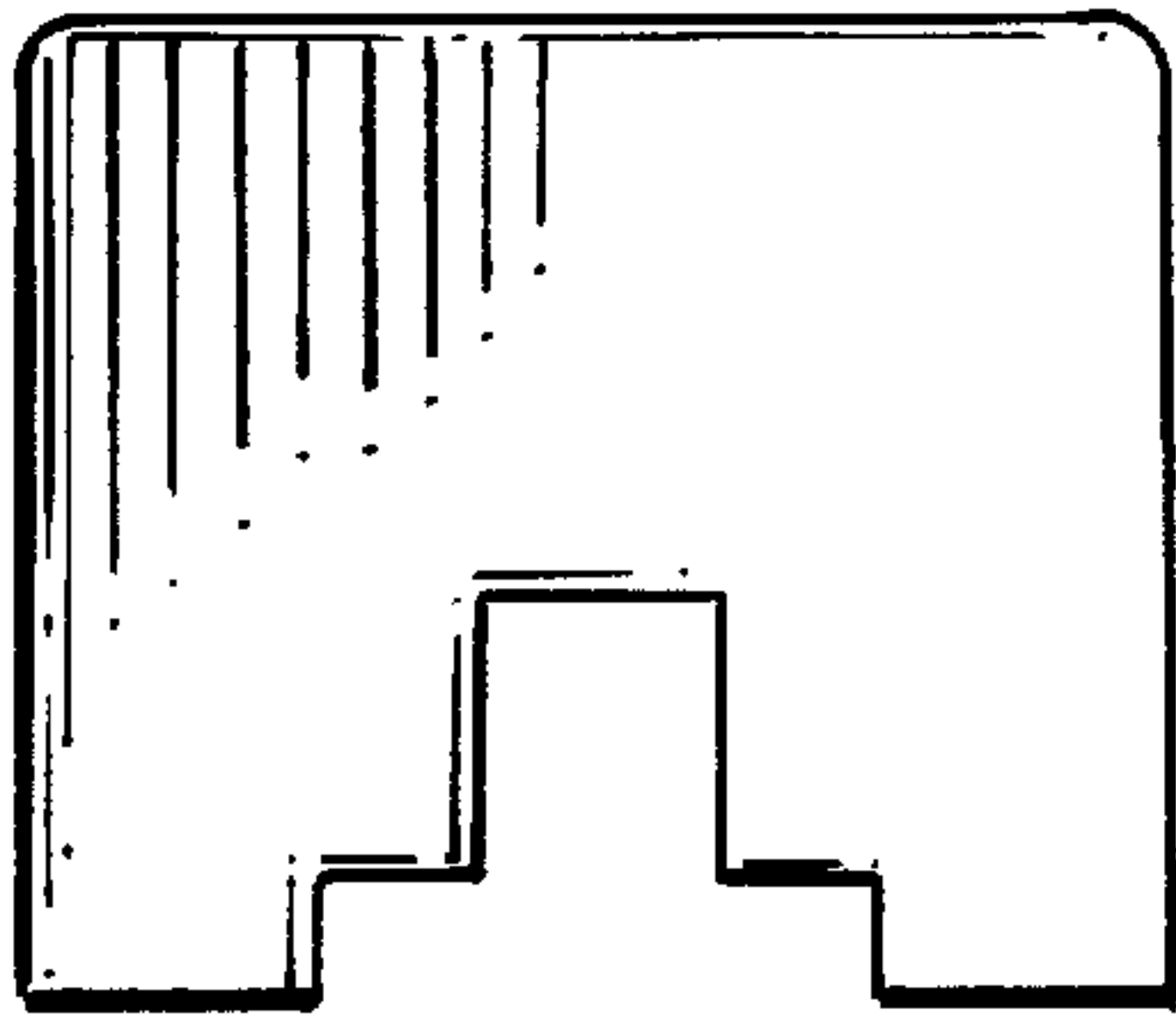


FIG. 6

FIG. 5

FIG. 7

