



US00D424345S

United States Patent [19] Duggan

[11] **Patent Number: Des. 424,345**

[45] **Date of Patent: ** May 9, 2000**

[54] **TISSUE HOLDER**

D. 383,630 9/1997 Goodman D6/523
3,067,963 12/1962 Suggs D6/523 X

[75] Inventor: **Michael P. Duggan**, Brookside, N.J.

Primary Examiner—Brian N. Vinson

[73] Assignee: **Melard Manufacturing Corp.**, Passaic, N.J.

Attorney, Agent, or Firm—Edgar A. Zarins; Lloyd D. Doigan

[**] Term: **14 Years**

[57] **CLAIM**

[21] Appl. No.: **29/106,841**

The ornamental design for a tissue holder, as shown and described.

[22] Filed: **Jun. 22, 1999**

DESCRIPTION

[51] **LOC (7) Cl.** **07-07**

FIG. 1 is a perspective view of a tissue holder showing my new design;

[52] **U.S. Cl.** **D6/523**

FIG. 2 is a front elevational view thereof;

[58] **Field of Search** D6/518, 522, 523;
211/13.1, 16, 86-87, 105.2, 123, 181.1;
242/570, 590, 595, 597

FIG. 3 is a left side view thereof;

FIG. 4 is a right side view thereof;

FIG. 5 is a top plan view thereof;

FIG. 6 is a bottom plan view thereof; and,

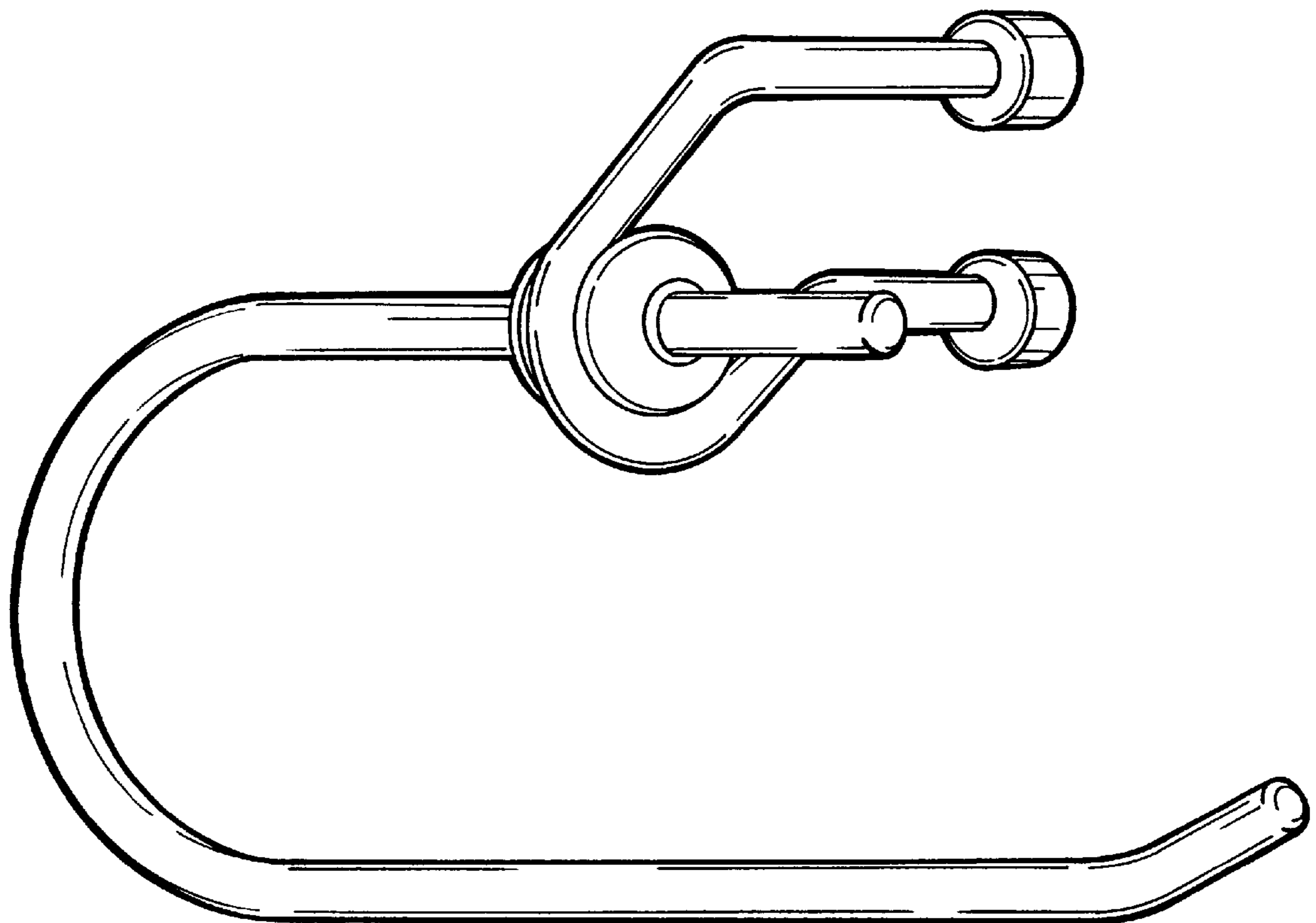
FIG. 7 is a rear elevational view thereof.

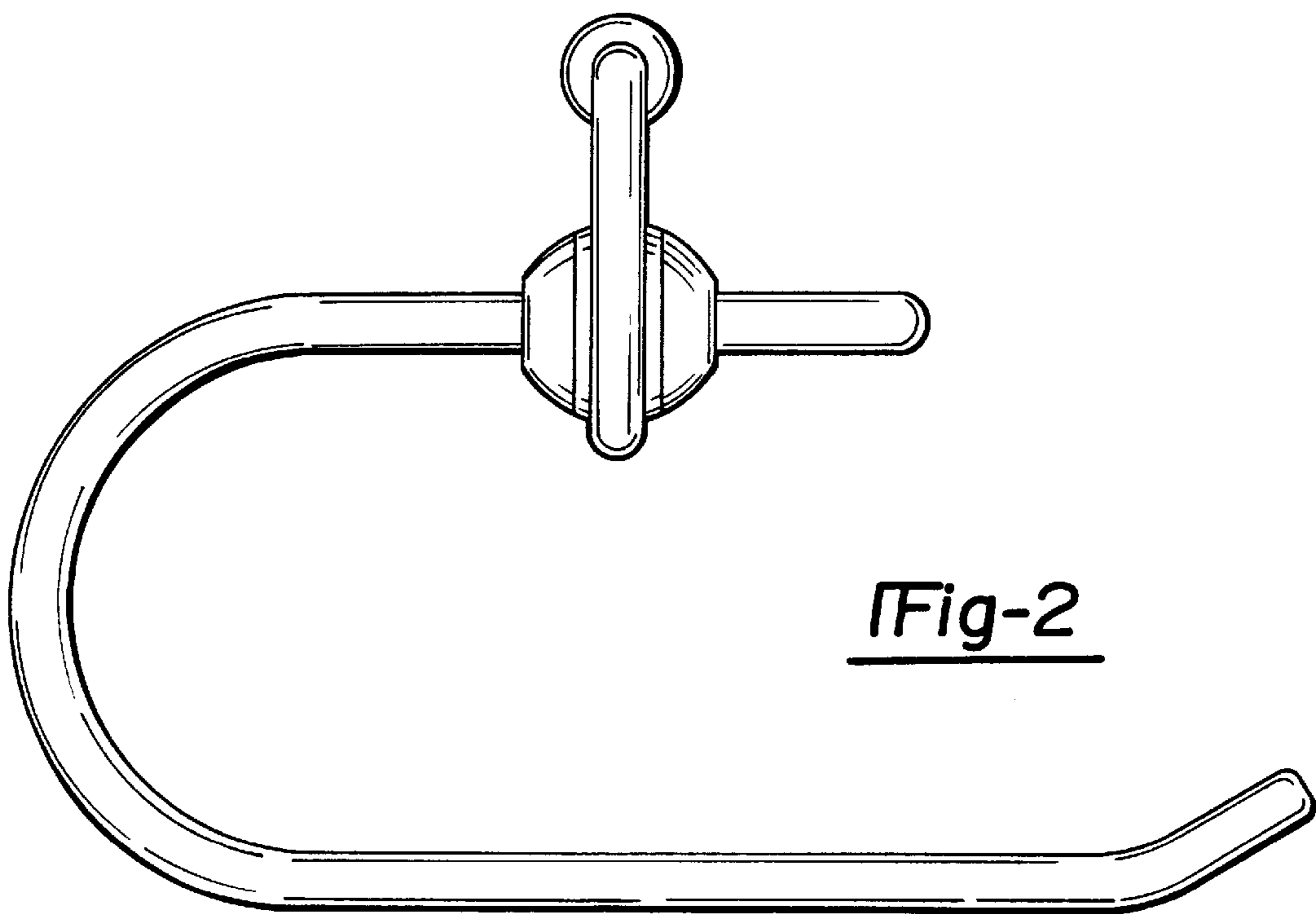
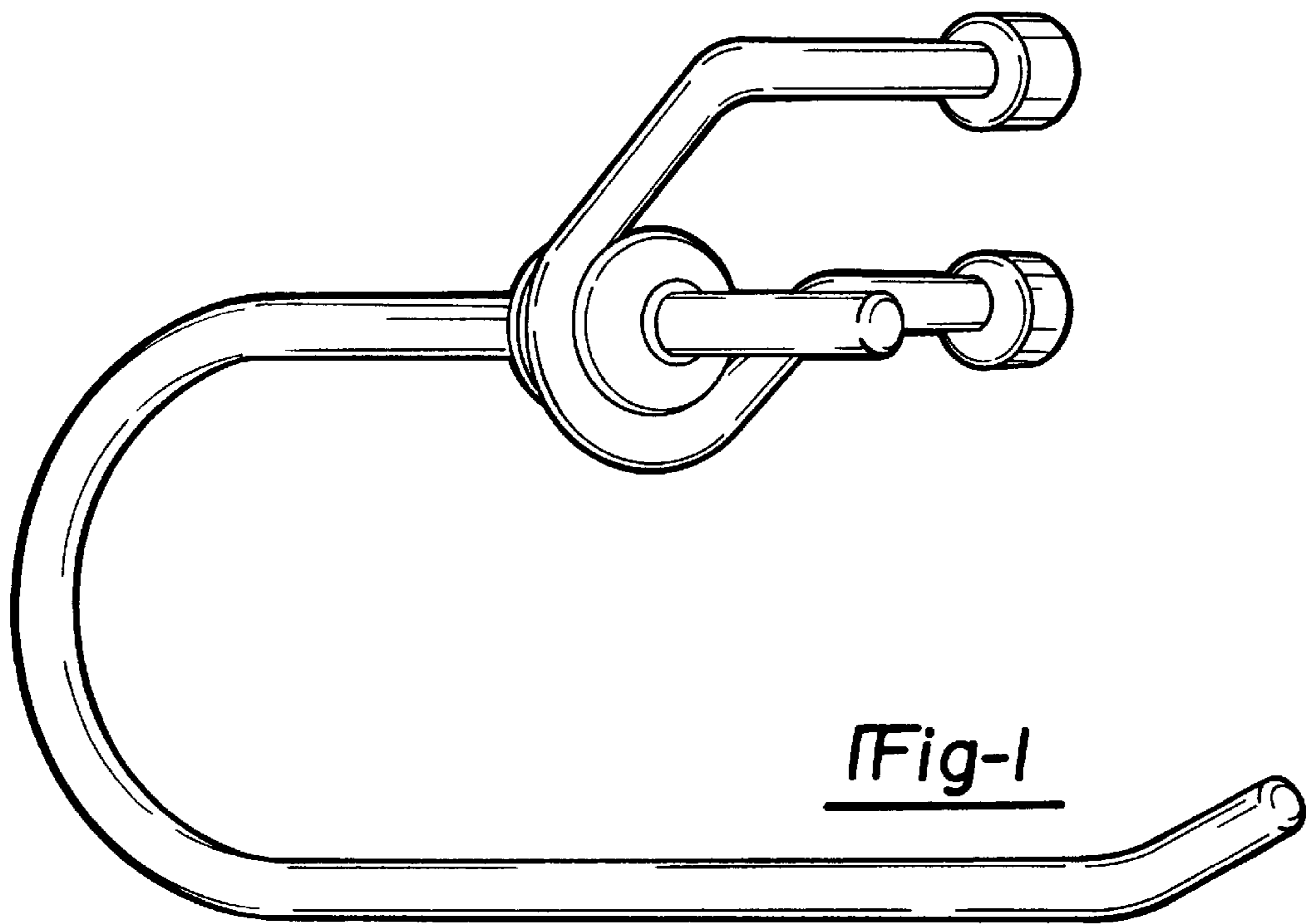
[56] **References Cited**

U.S. PATENT DOCUMENTS

D. 308,781 6/1990 Mintz D6/523
D. 327,593 7/1992 Emery D6/523

1 Claim, 4 Drawing Sheets





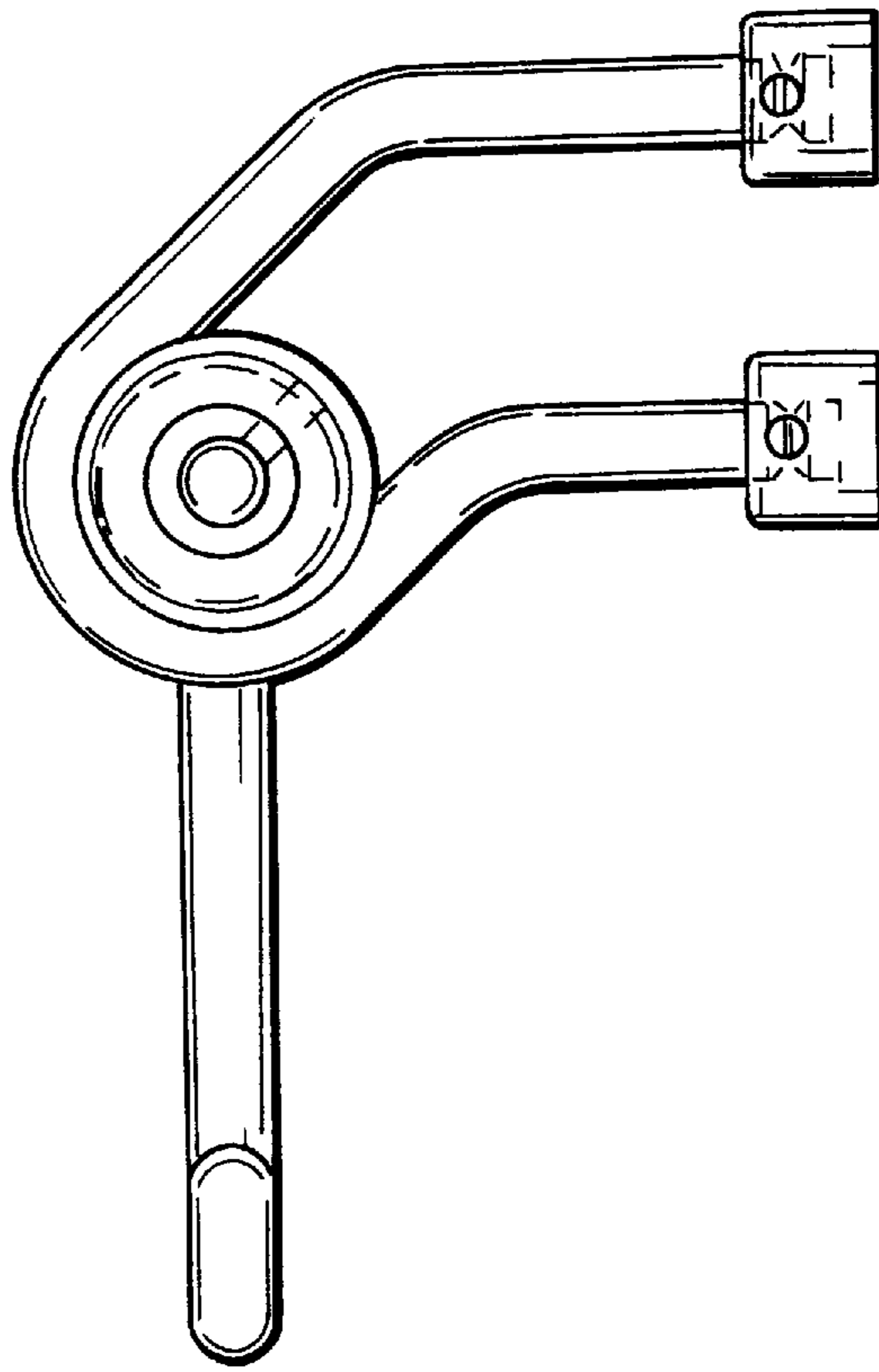


Fig-3

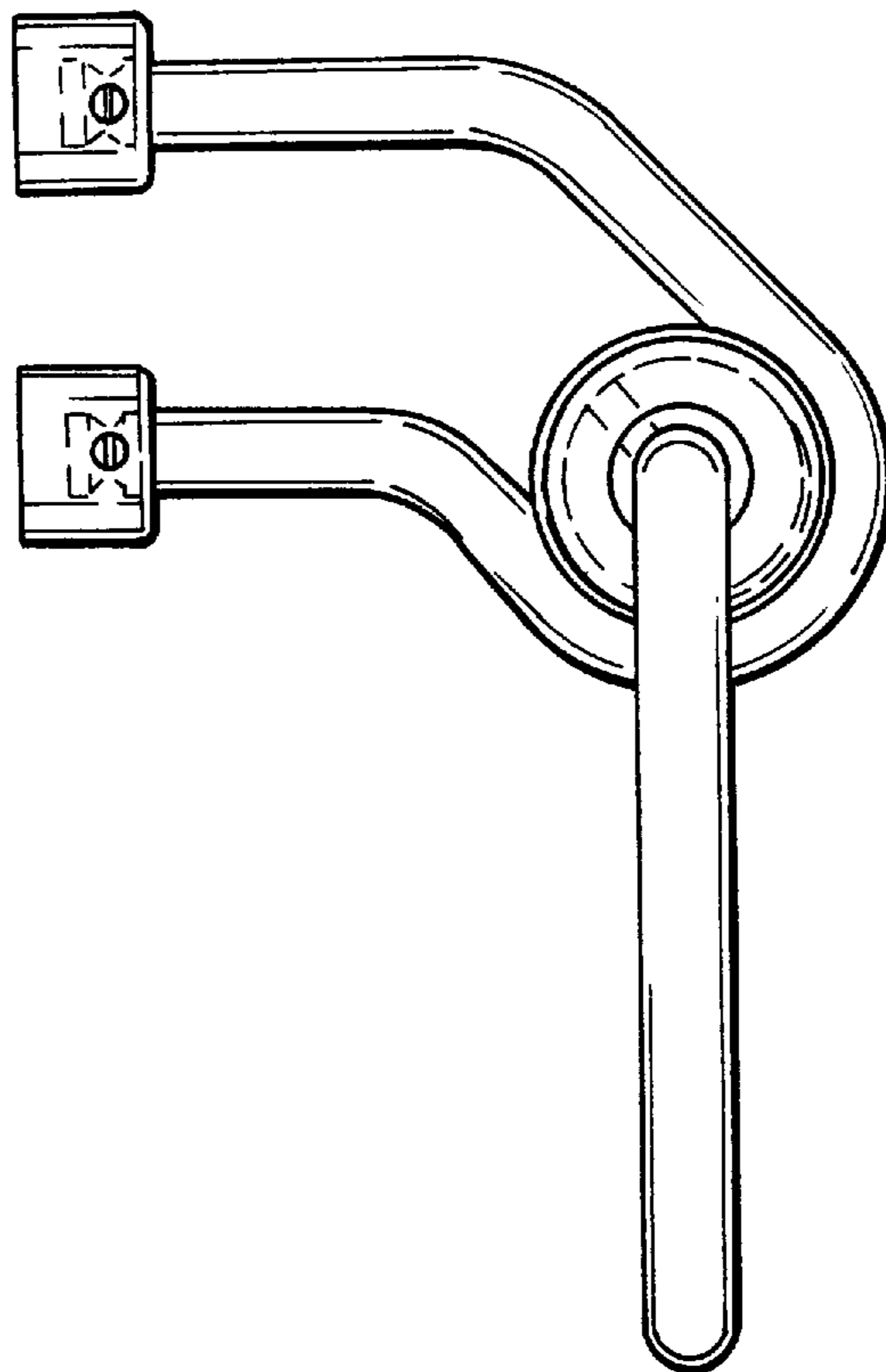


Fig-4

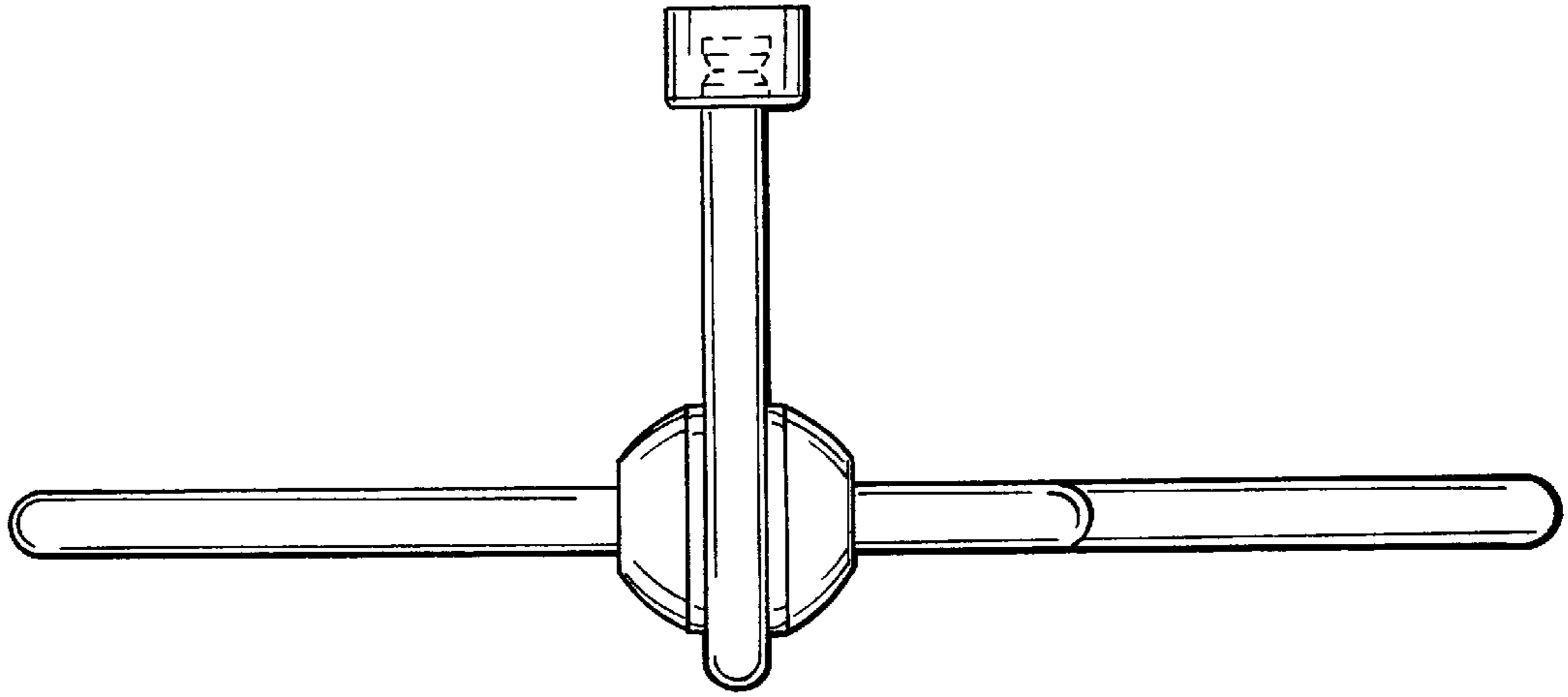


Fig-5

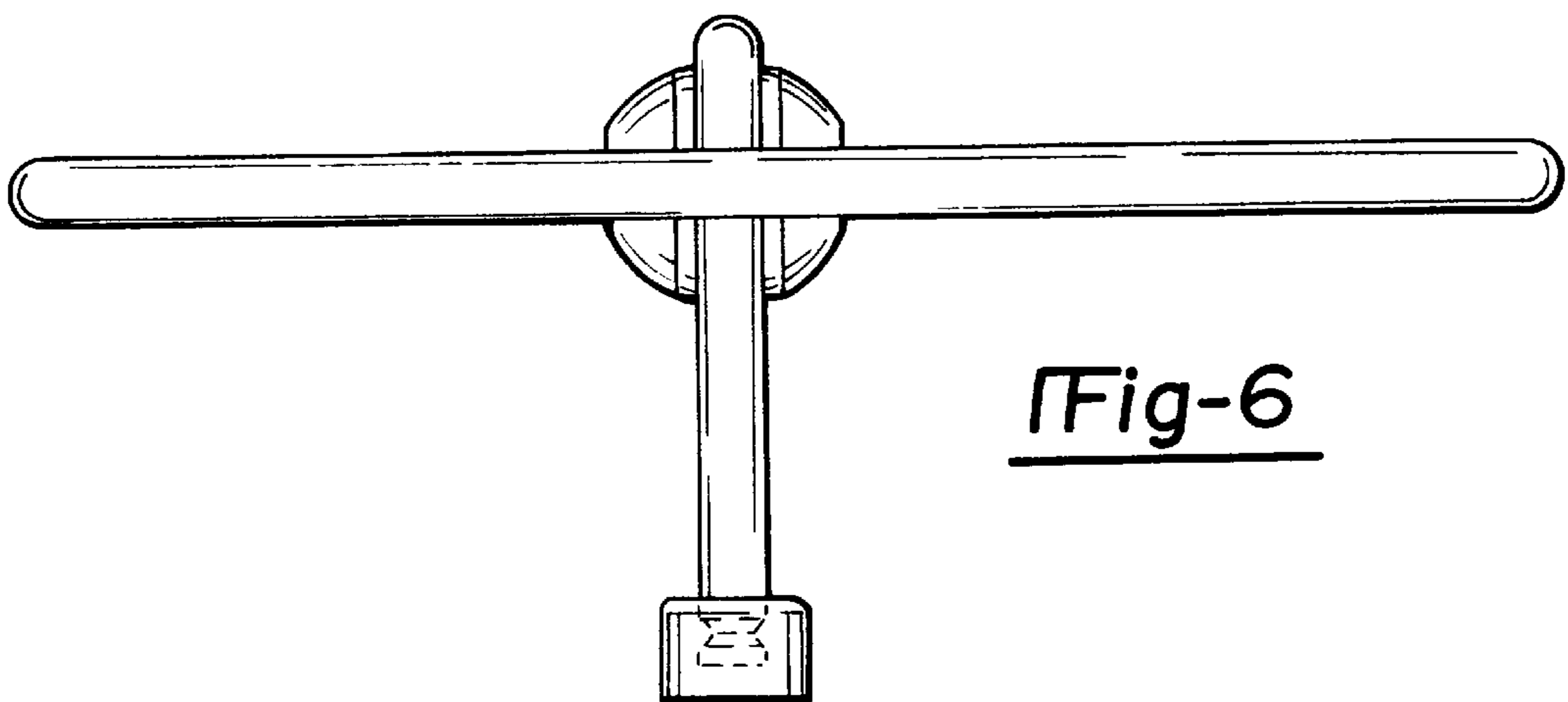


Fig-6

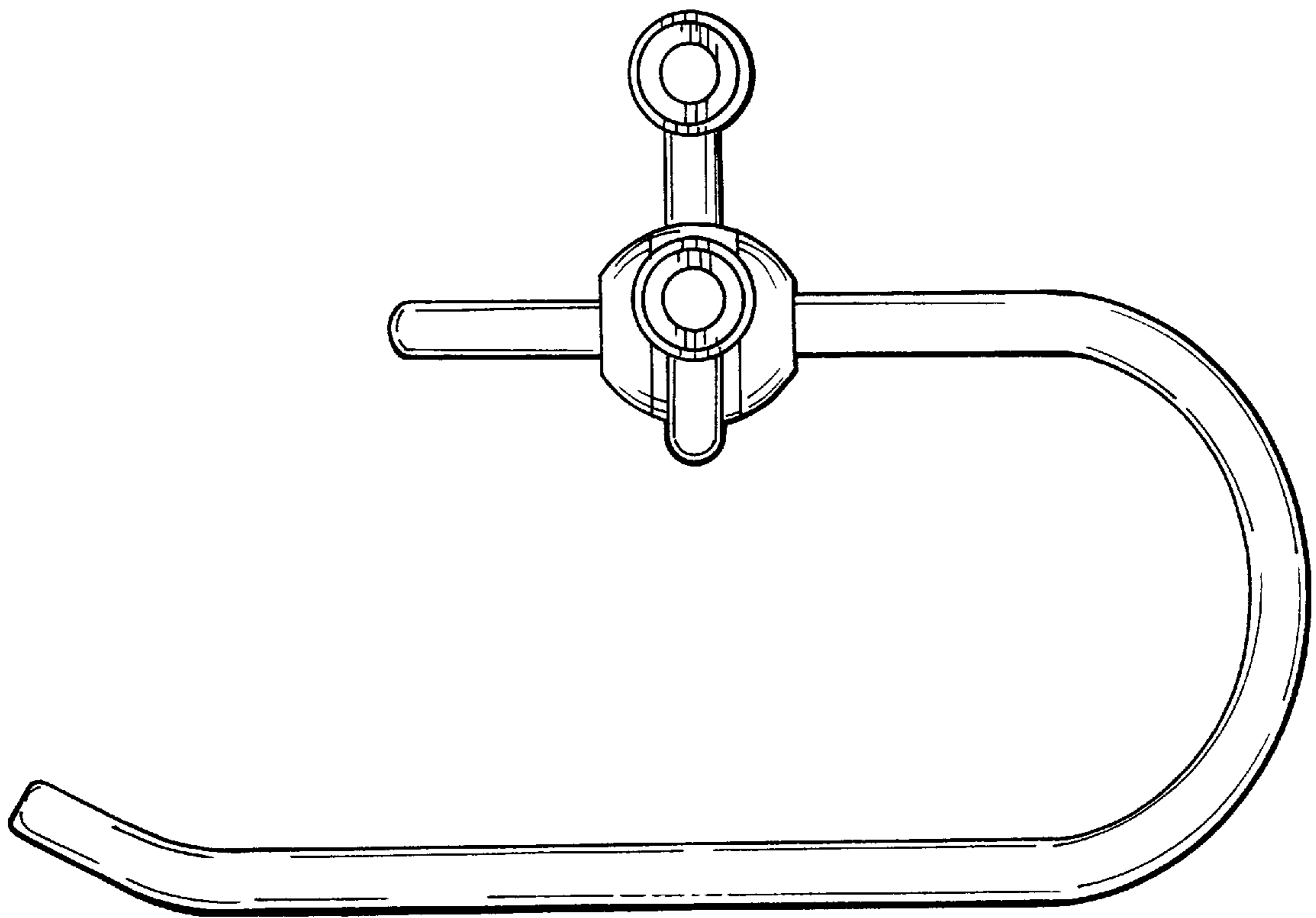


Fig-7