



US00D424342S

# United States Patent [19] Pasquale

[11] Patent Number: **Des. 424,342**

[45] Date of Patent: **\*\* May 9, 2000**

[54] **TISSUE BOX**

3,245,580 4/1966 Campanella ..... 221/34  
5,054,612 10/1991 Meyer, Jr. .... 206/233

[76] Inventor: **Michael J. Pasquale**, 45 Spring St.,  
Middletown, Conn. 06457

*Primary Examiner*—Brian N. Vinson  
*Attorney, Agent, or Firm*—Alix, Yale & Ristas, LLP

[\*\*] Term: **14 Years**

[57] **CLAIM**

[21] Appl. No.: **29/107,143**

The ornamental design for a tissue box, as shown and described.

[22] Filed: **Jun. 28, 1999**

### DESCRIPTION

[51] **LOC (7) Cl.** ..... **20-02**

[52] **U.S. Cl.** ..... **D6/519; D6/518**

[58] **Field of Search** ..... D6/515, 518, 519,  
D6/524, 525; 206/214, 215, 233, 449, 812;  
221/33, 282, 284; 222/173

FIG. 1 is a top plan view of a tissue box showing my new design, the dashed lines showing removable portions thereof;

FIG. 2 is a side elevation view thereof, the opposite side being identical;

FIG. 3 is an end elevation view thereof, the opposite end being identical;

FIG. 4 is a bottom plan view thereof; and,

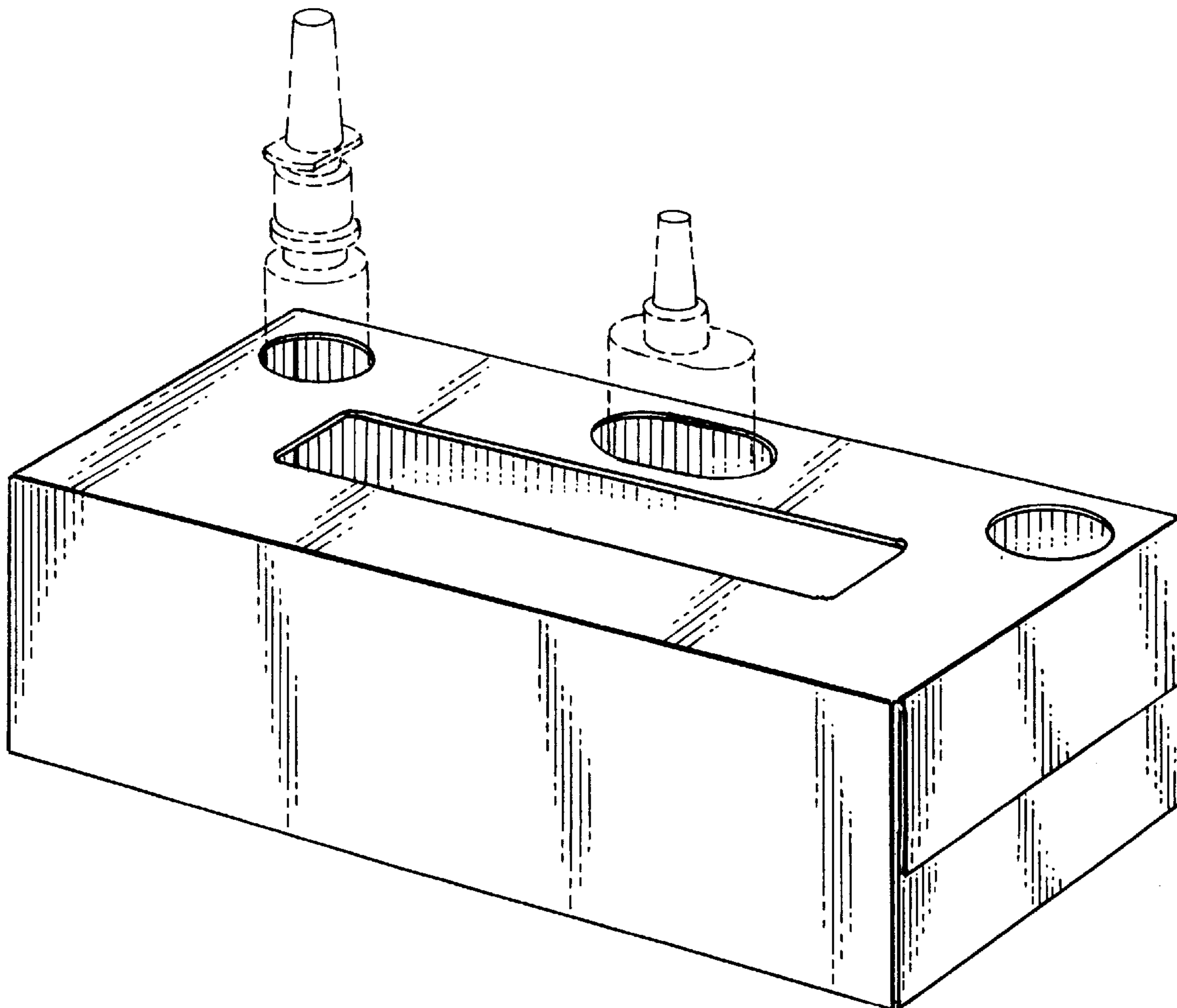
FIG. 5 is a top, front, and right side perspective view thereof, with the portions shown in in dashed lines in FIG. 3 removed, and with the broken-line disclosure of bottles being for illustrative purposes only and forming no part of the claimed design.

### [56] **References Cited**

#### U.S. PATENT DOCUMENTS

D. 288,883	3/1987	Loughridge	.....	D6/519
D. 290,075	6/1987	Loughridge	.....	D6/519
D. 321,655	11/1991	Lai	.....	D6/518 X
D. 374,360	10/1996	Angermeir	.....	D6/518
D. 379,569	6/1997	Strickland et al.	.....	D6/518
2,754,029	7/1956	Maxcey, Jr.	.....	221/46
2,826,334	3/1958	Musler	.....	221/45
2,841,275	7/1958	Schwimmer et al.	.....	206/57

**1 Claim, 2 Drawing Sheets**



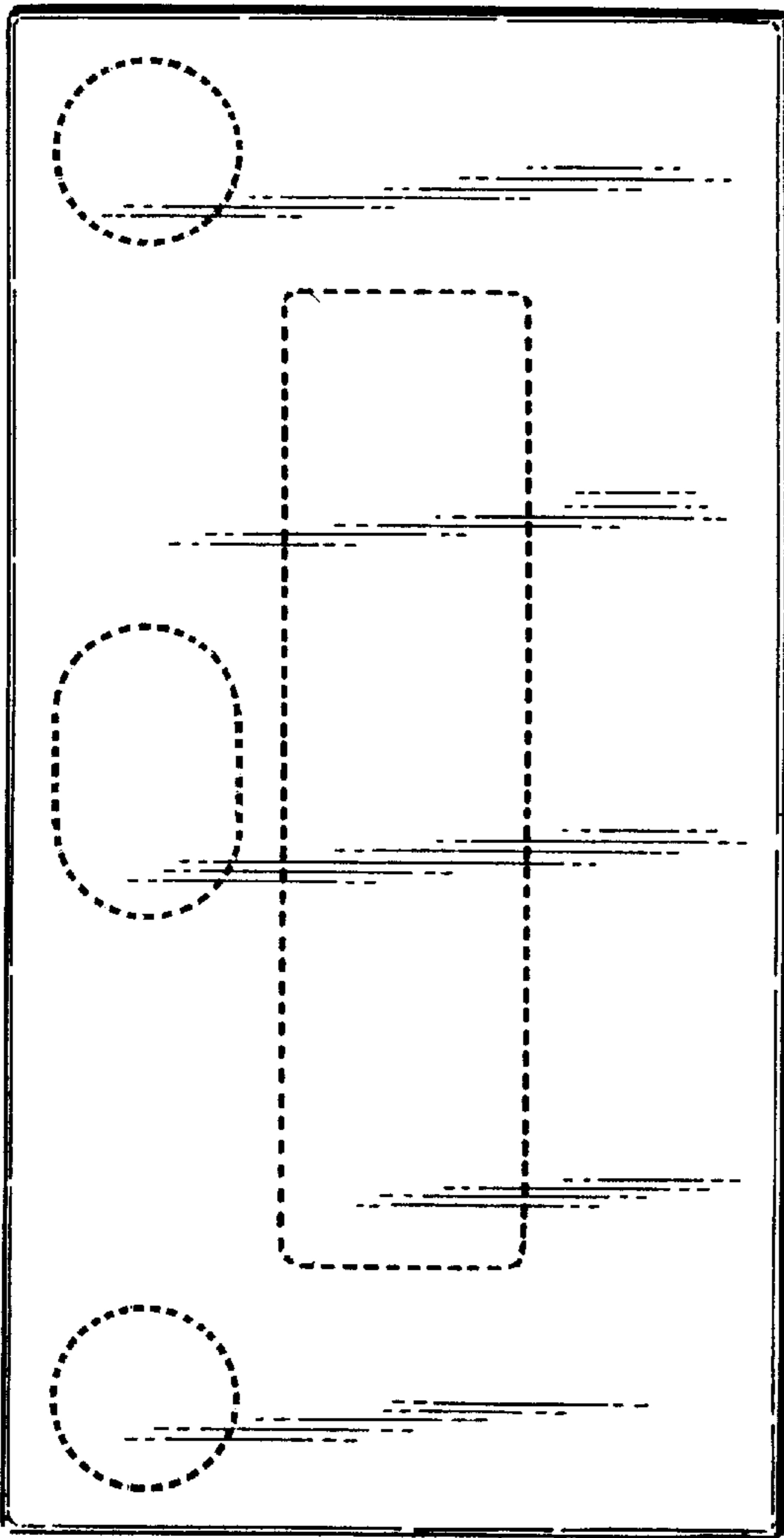


FIG. 1

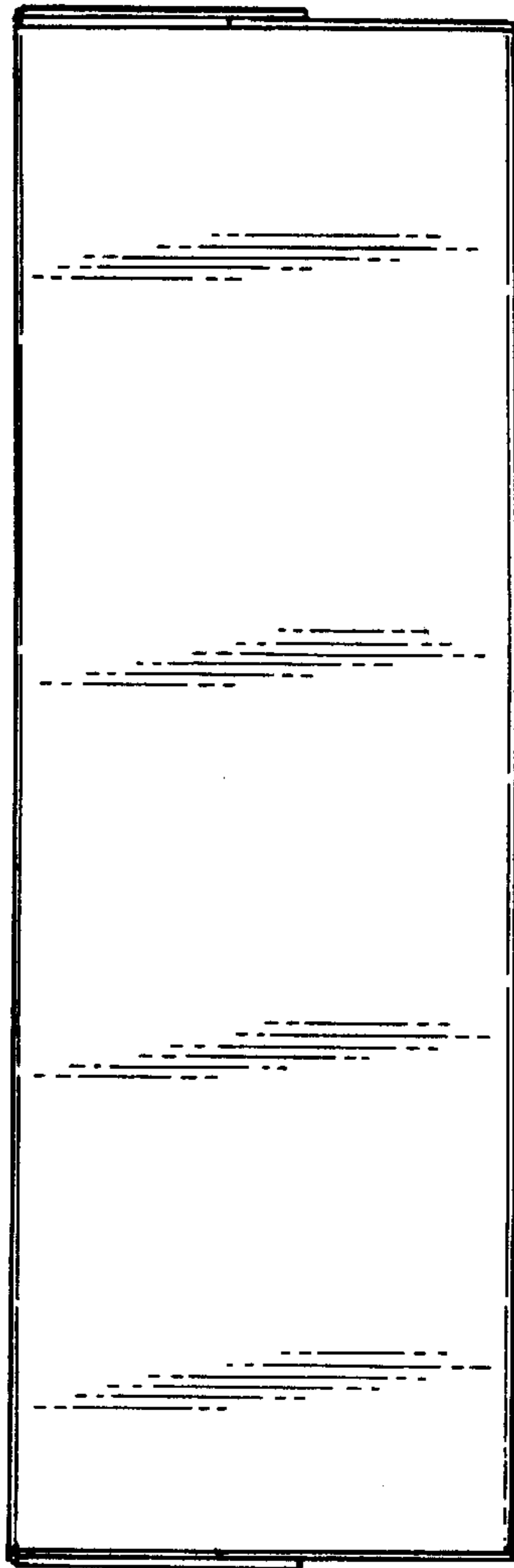


FIG. 2

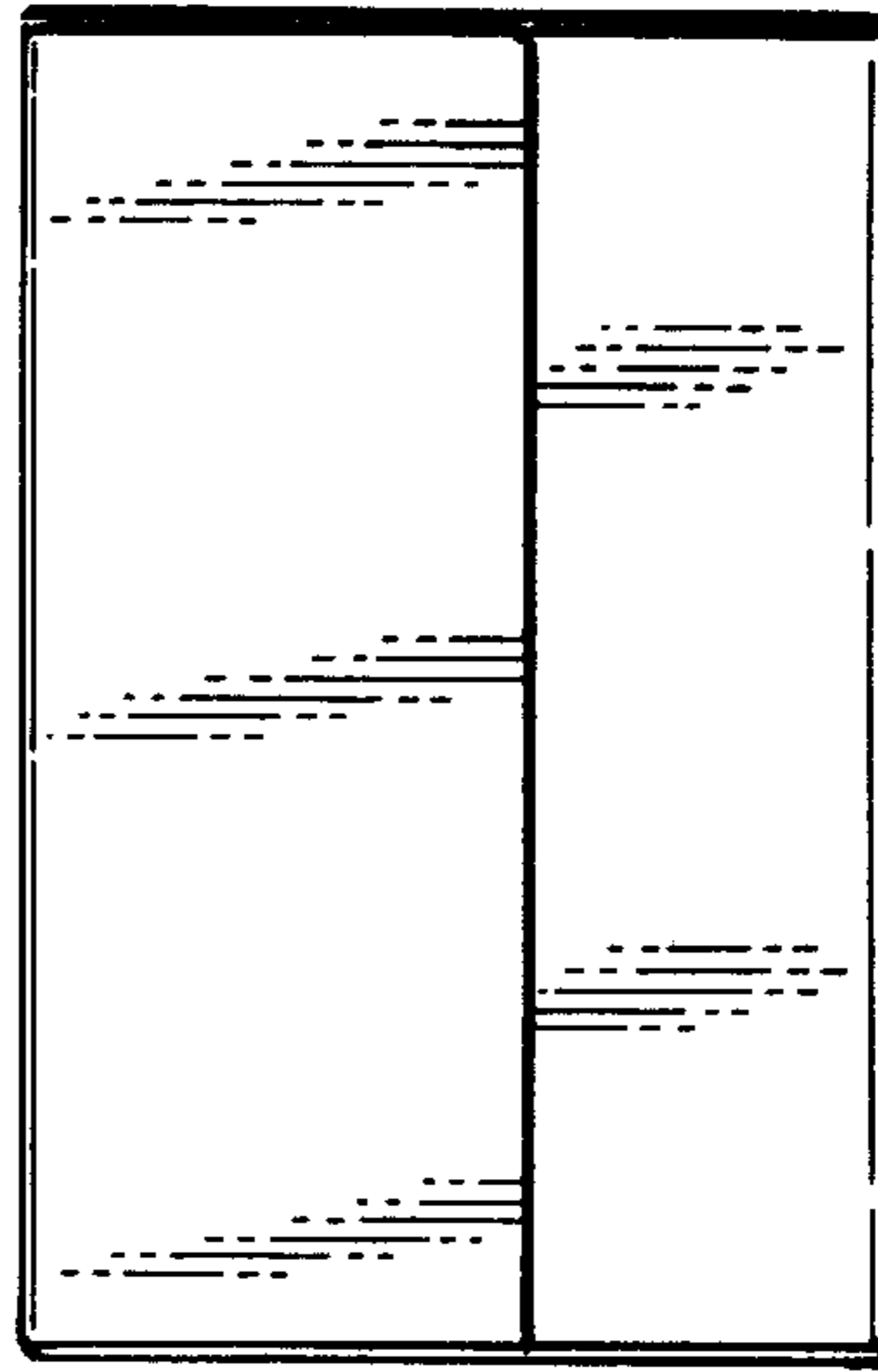


FIG. 3

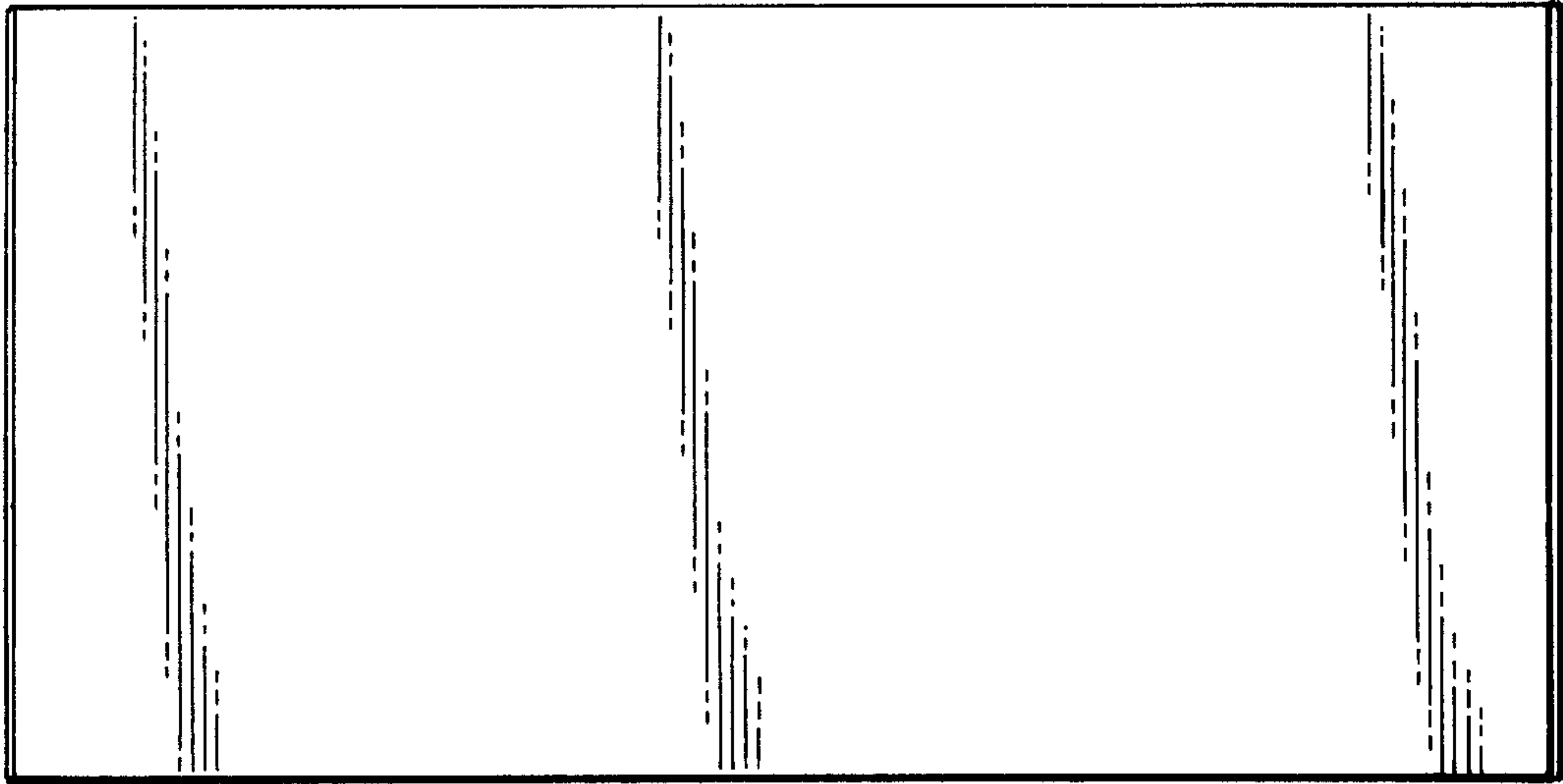


FIG. 4

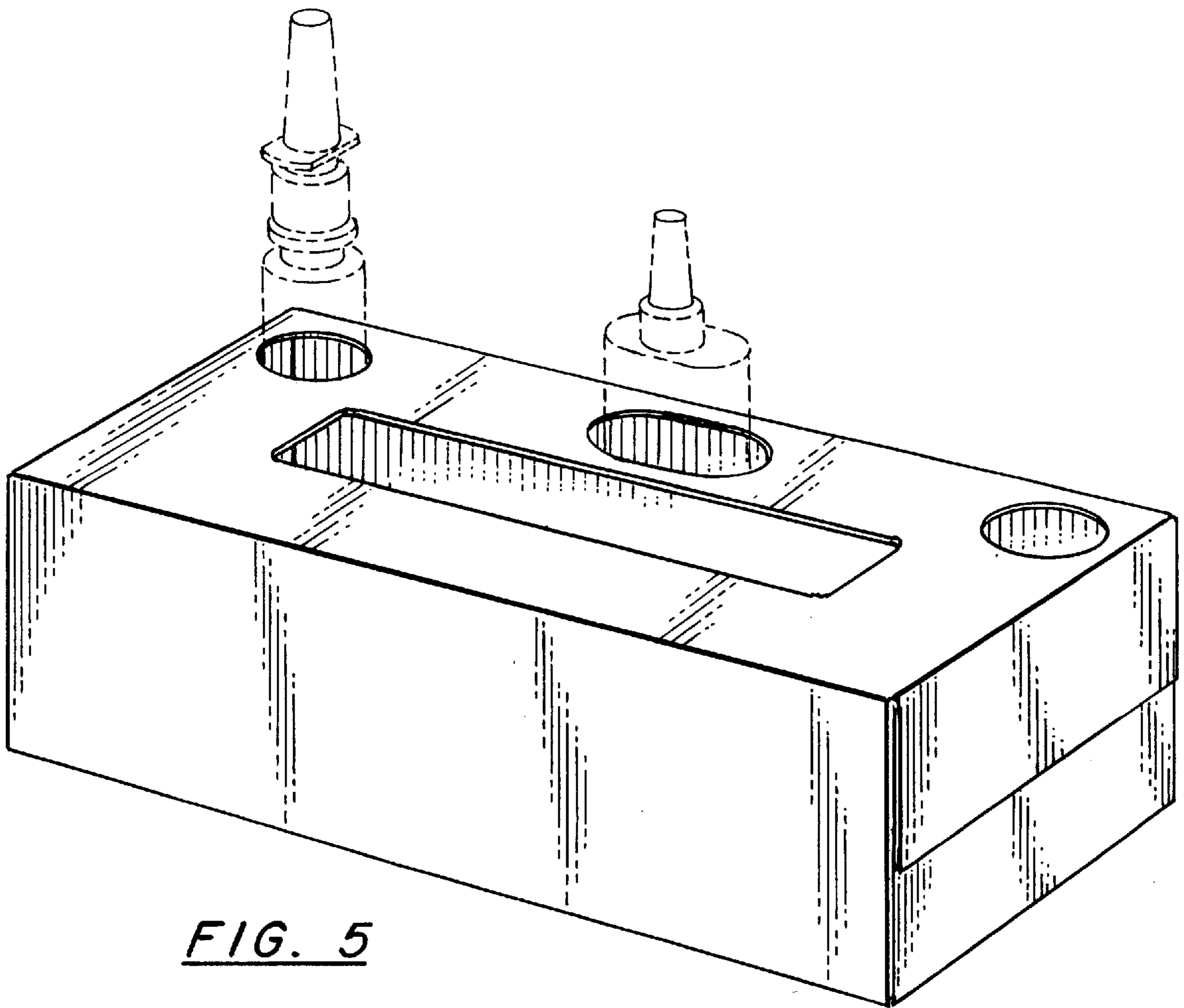


FIG. 5