



US00D424341S

United States Patent [19]

[11] **Patent Number: Des. 424,341**

Anderberg

[45] **Date of Patent: ** May 9, 2000**

[54] **DISPENSER FOR A ROLL OF BARBER'S NECK STRIPS**

D. 327,798 7/1992 Addison et al. D6/518 X
D. 336,581 6/1993 Parker D6/518
4,382,510 5/1983 Gaffney 206/389

[76] Inventor: **Bertil I. Anderberg**, 1813 Sheldon Ave., Cedar Falls, Iowa 50613

Primary Examiner—Brian N. Vinson
Attorney, Agent, or Firm—Zarley, McKee, Thomte, Voorhees & Sease

[**] Term: **14 Years**

[21] Appl. No.: **29/110,955**

[57] **CLAIM**

[22] Filed: **Sep. 16, 1999**

I claim the ornamental design for a dispenser for a roll of barber's neck strips, as shown.

[51] **LOC (7) Cl.** **07-07**

DESCRIPTION

[52] **U.S. Cl.** **D6/518; D6/515**

[58] **Field of Search** D6/515, 518; D19/89;
D28/76, 82; 242/570, 590, 595; 312/34.8;
206/389, 398

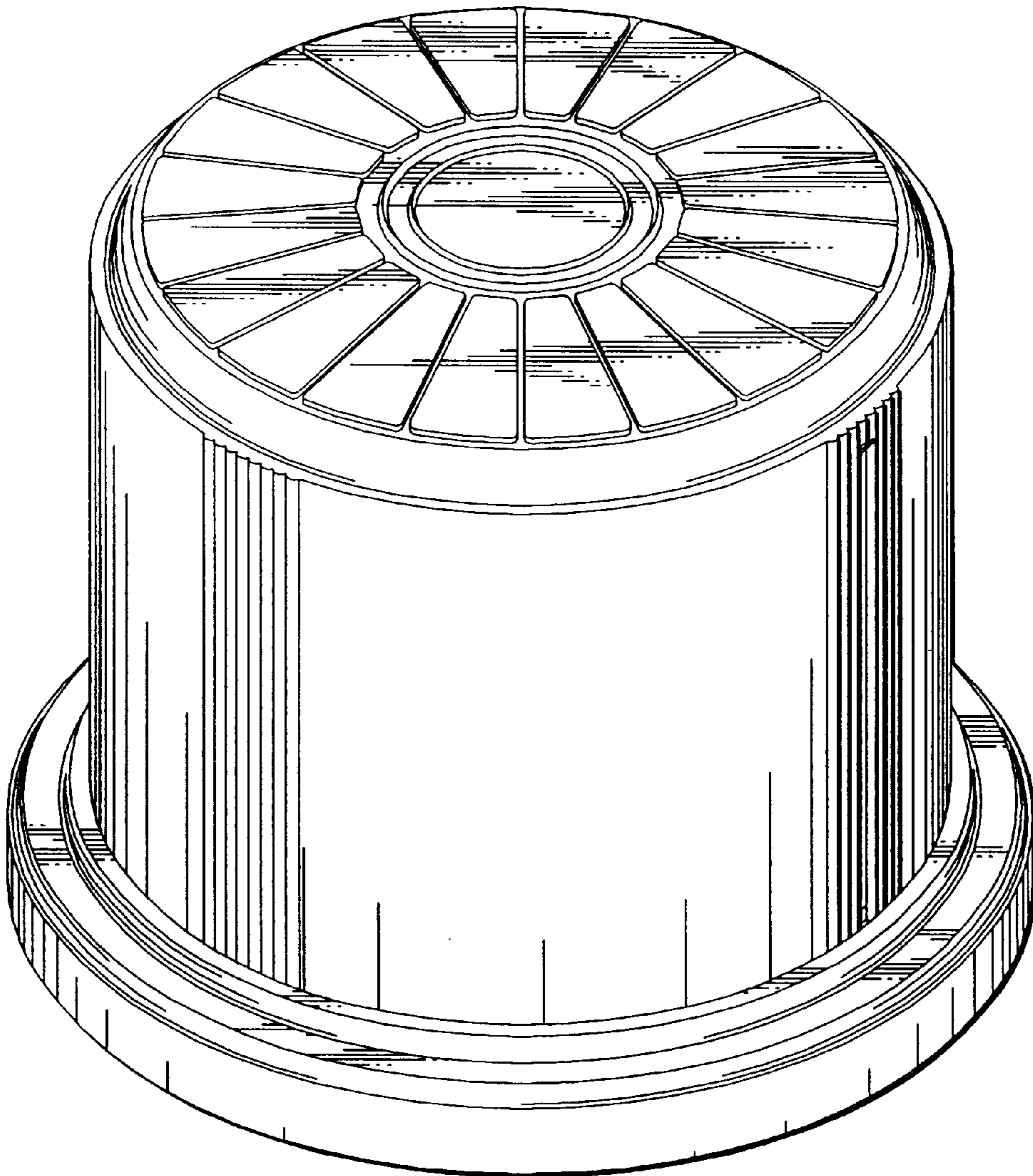
FIG. 1 is a perspective view of a dispenser for a roll of barber's neck strips showing my new design;
FIG. 2 is a front elevational view thereof;
FIG. 3 is a typical side elevational view thereof except for the front; and,
FIG. 4 is a top plan view thereof.
The bottom is devoid of ornamentation.

[56] **References Cited**

U.S. PATENT DOCUMENTS

D. 289,592 5/1987 Loughridge D6/518
D. 316,789 5/1991 McLaughlin D6/518 X

1 Claim, 2 Drawing Sheets



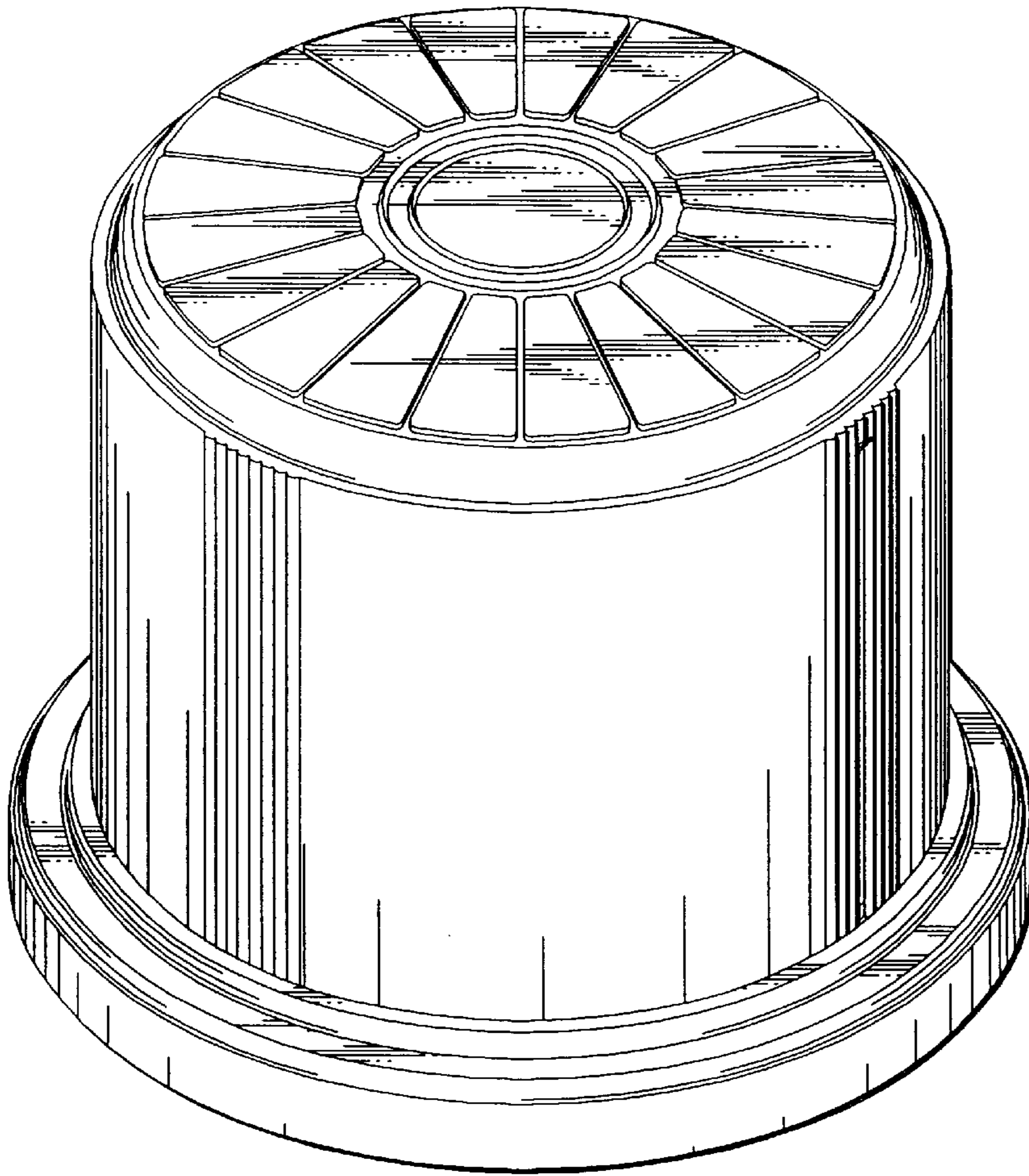


Fig. 1

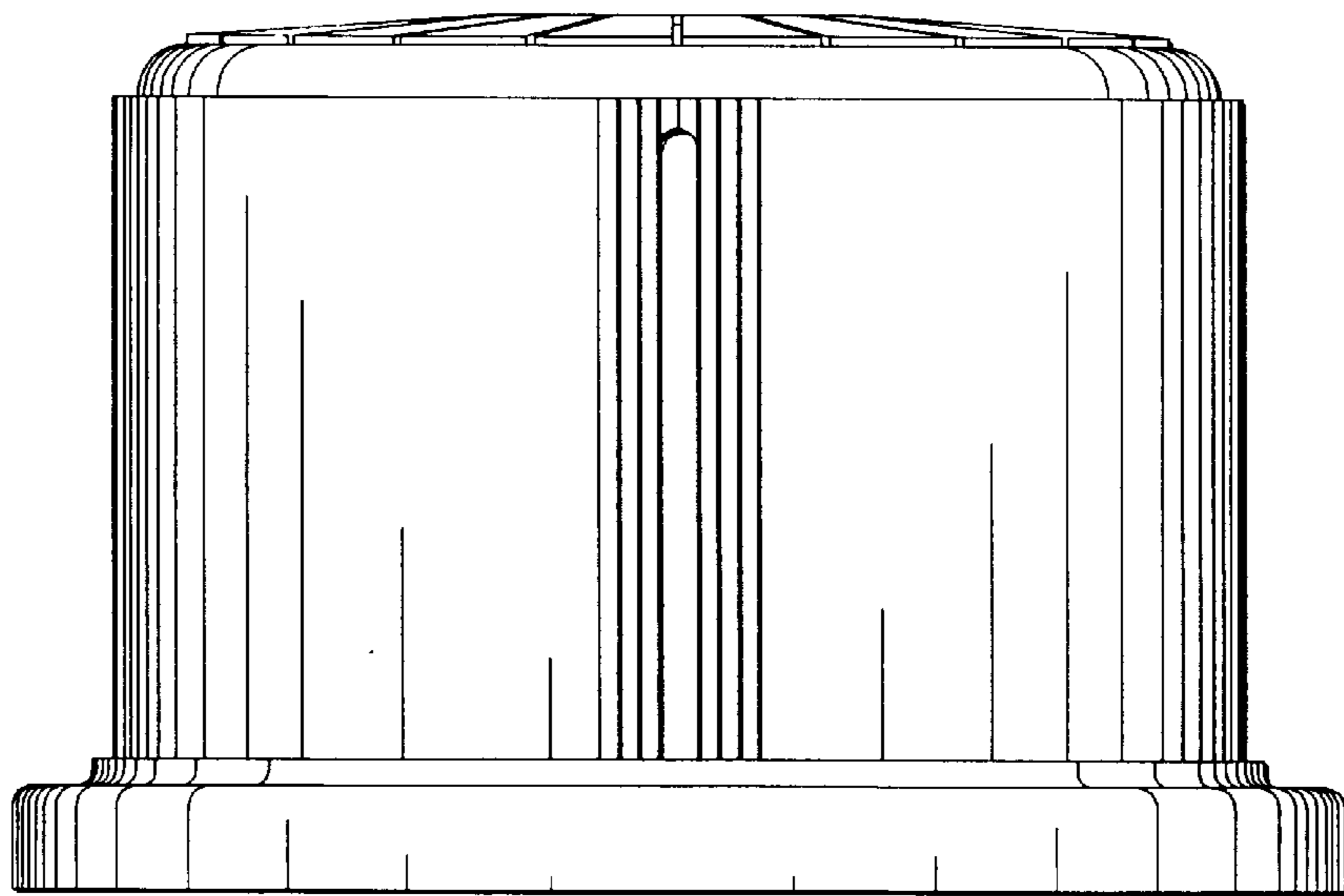


Fig. 2

