



US00D424340S

United States Patent [19]
Fleming

[11] **Patent Number: Des. 424,340**

[45] **Date of Patent: ** May 9, 2000**

[54] **EARPLUG DISPENSER**

[75] Inventor: **Thomas W. Fleming**, San Diego, Calif.

[73] Assignee: **Bacou USA Safety, Inc.**, San Diego, Calif.

[**] Term: **14 Years**

[21] Appl. No.: **29/106,625**

[22] Filed: **Jun. 4, 1999**

[51] **LOC (7) Cl.** **20-02**

[52] **U.S. Cl.** **D6/515**

[58] **Field of Search** D6/515, 517; 221/282,
221/283; 222/173; 211/13.1

[56] **References Cited**

U.S. PATENT DOCUMENTS

- D. 345,663 4/1994 Hartman et al. D6/515
- D. 414,059 9/1999 Scholey et al. D6/515
- D. 414,359 9/1999 Scholey et al. D6/515

Primary Examiner—Brian N. Vinson
Attorney, Agent, or Firm—Leon D. Rosen

[57] **CLAIM**

The ornamental design for an earplug dispenser, as shown and described.

DESCRIPTION

FIG. 1 is a front elevation view of a dispenser, showing my design;
 FIG. 2 is a left side elevation view thereof, the right side being a mirror image thereof;
 FIG. 3 is a rear elevation view thereof;
 FIG. 4 is a plan view thereof;
 FIG. 5 is a bottom view thereof; and,
 FIG. 6 is a top, front, and left side perspective view thereof, the bottom catch pad being shown in broken lines for illustrative purposes only and forming no part of the claimed design.

1 Claim, 5 Drawing Sheets

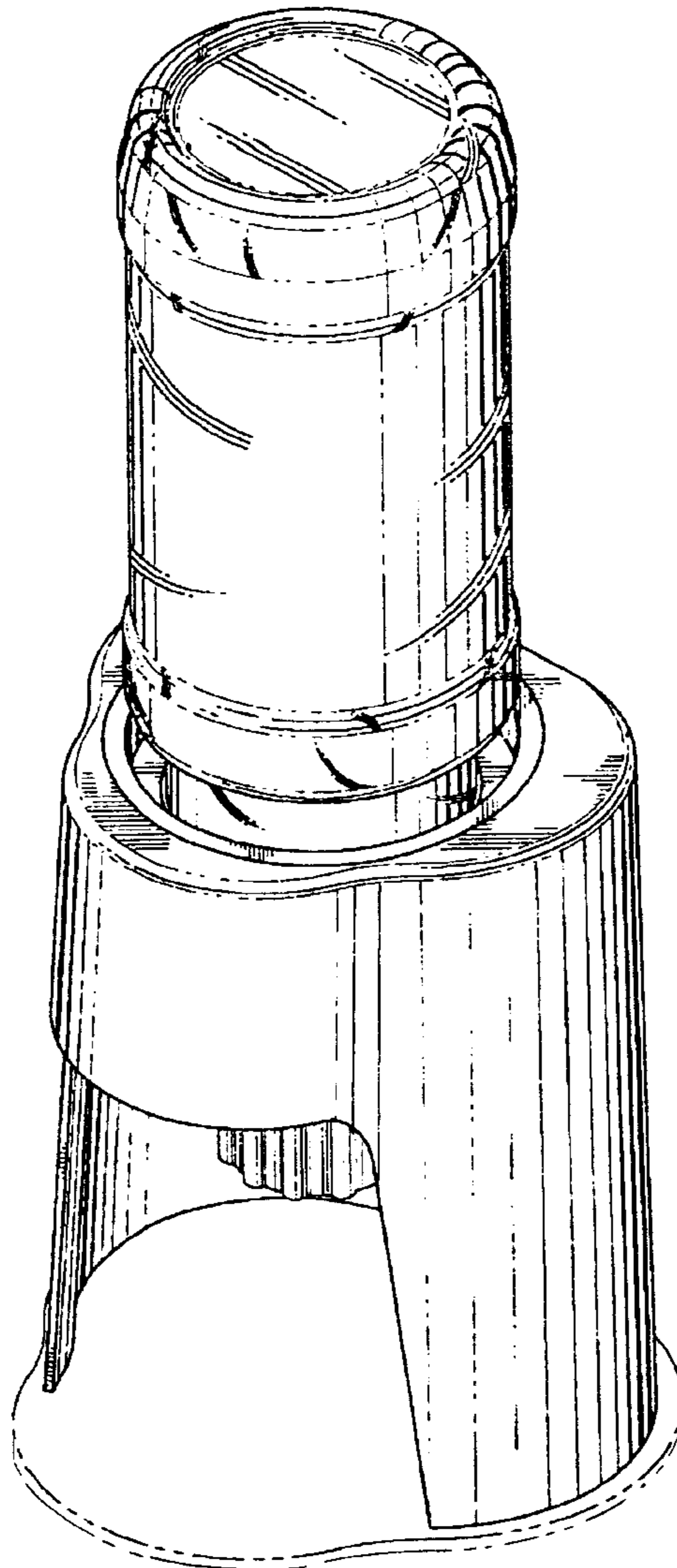
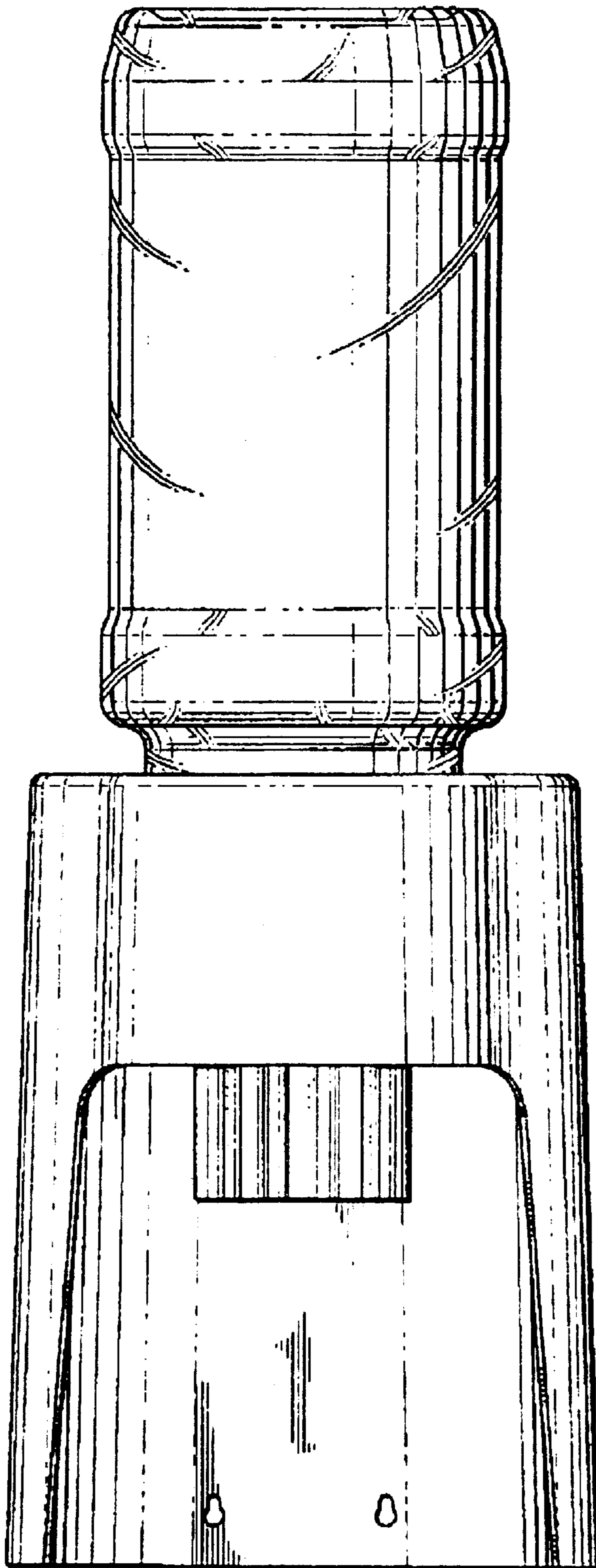


FIG. 1



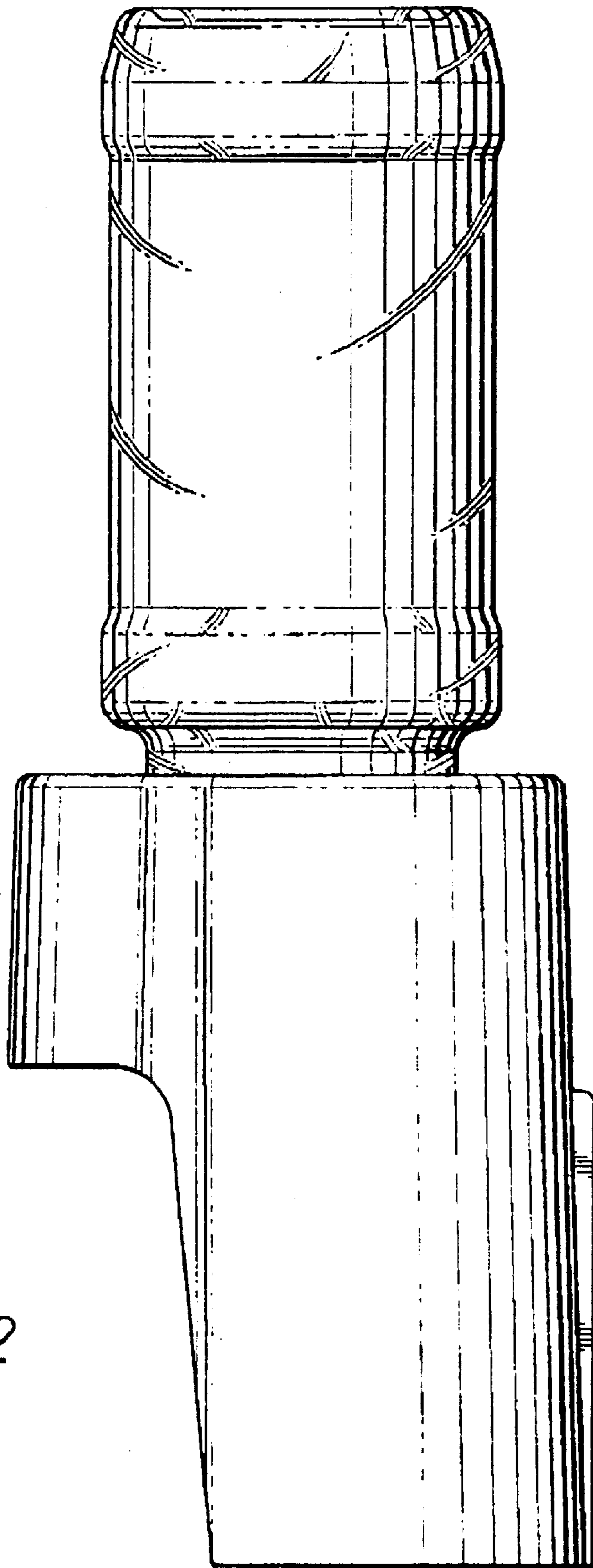


FIG. 2

FIG. 3

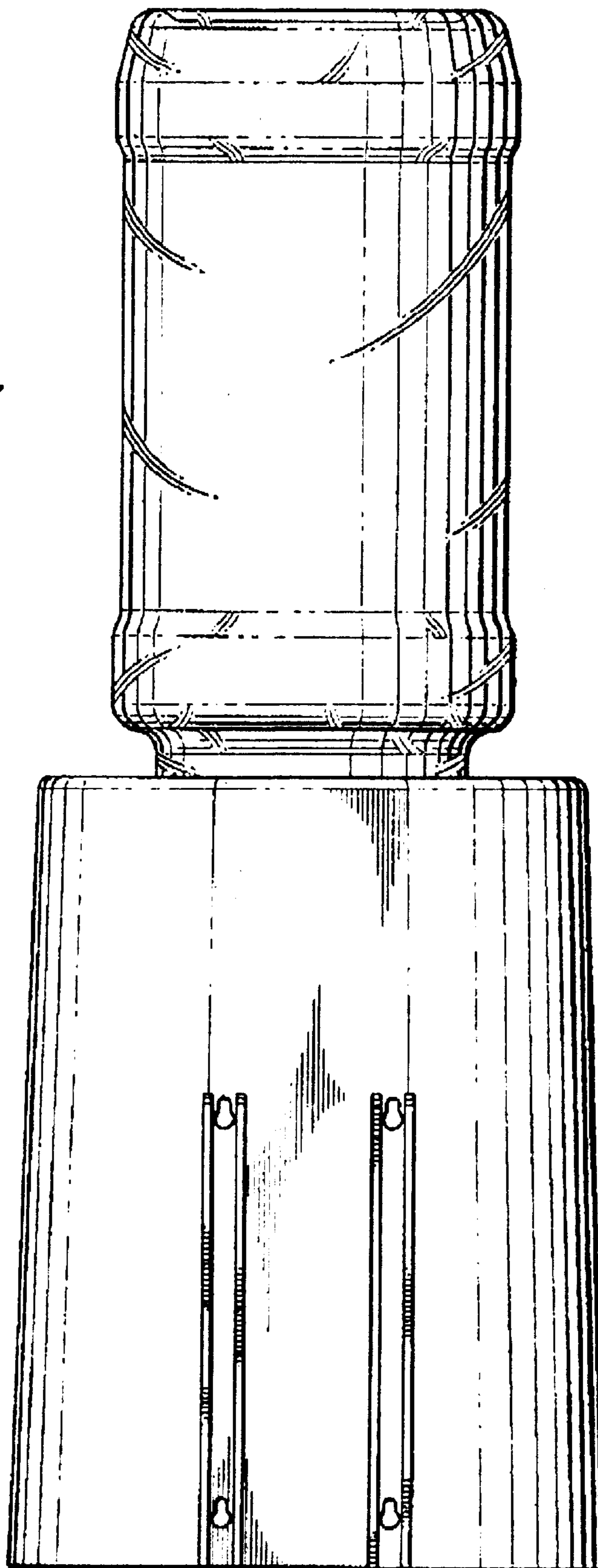


FIG. 4

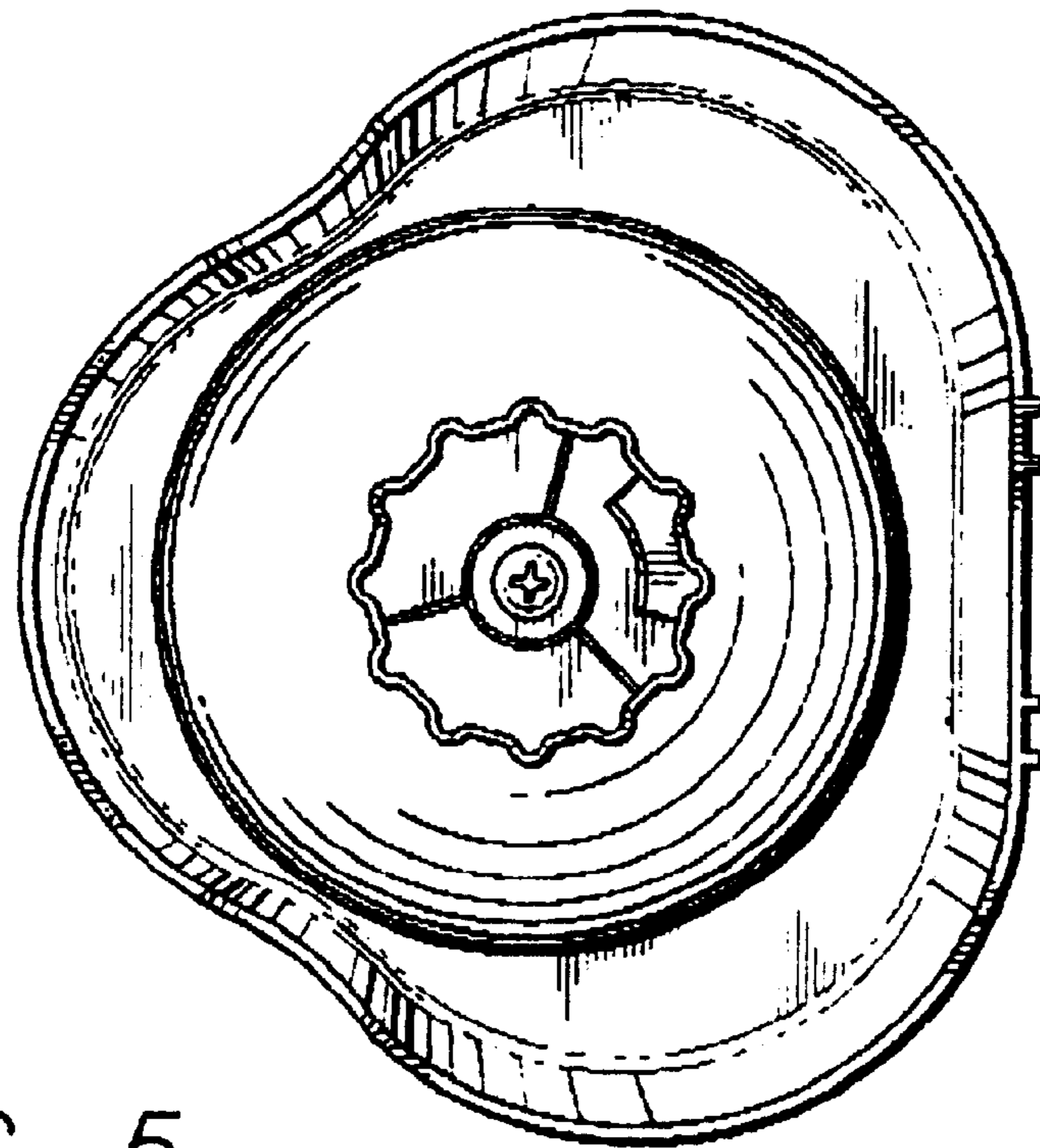
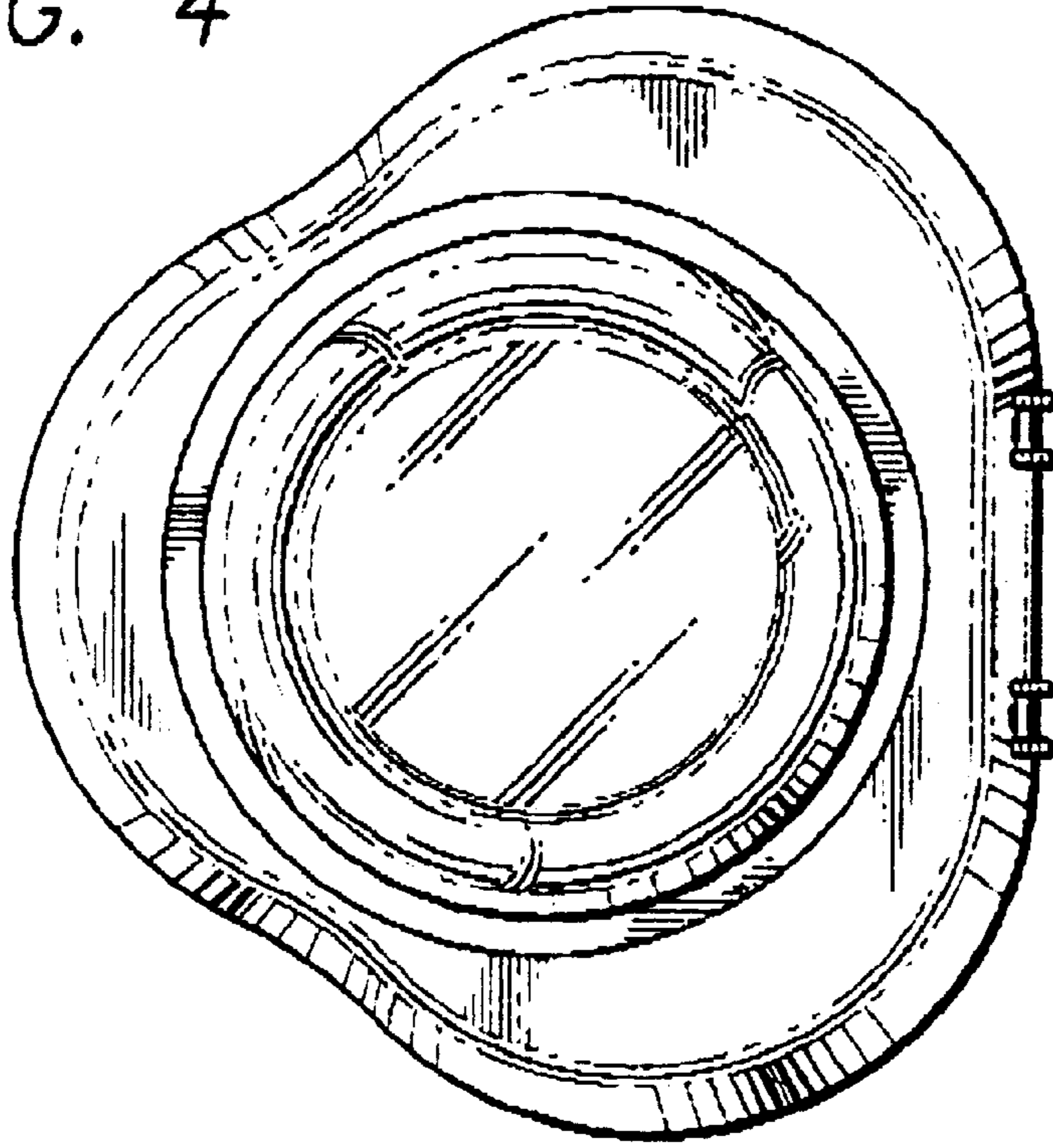


FIG. 5

FIG. 6

