



US00D424336S

United States Patent [19] Lefever

[11] **Patent Number: Des. 424,336**

[45] **Date of Patent: ** May 9, 2000**

[54] **SET OF CUSHIONS FOR CHAIR PERIMETER**

4,358,866 11/1982 Rhodes D6/500

[76] Inventor: **Kyle W Lefever**, 26 Ridge Ave.,
Hanover, Pa. 17331

Primary Examiner—Doris V. Coles
Assistant Examiner—Mimosa De

[**] Term: **14 Years**

[57] **CLAIM**

The ornamental design for a set of cushions for chair perimeter, as shown and described.

[21] Appl. No.: **29/077,330**

DESCRIPTION

[22] Filed: **Sep. 30, 1997**

[51] **LOC (7) Cl.** **06-06**

[52] **U.S. Cl.** **D6/501**

[58] **Field of Search** D6/334, 336, 356,
D6/368, 374, 375, 379, 380, 500, 501,
502, 601; 297/330, 338, 344.12, 344.16,
344.17, 344.18, 344.19, 411.42, 452.48,
DIG. 1, DIG. 8, 441.23, 345; D3/274

FIG. 1 is a front elevational view of the set of cushions for chair perimeter of the present invention;

FIG. 2 is a back elevational view of the set of cushions for chair perimeter of FIG. 1;

FIG. 3 is a left side elevational view of the set of cushions for chair perimeter of FIG. 1;

FIG. 4 is a right side elevational view of the set of cushions for chair perimeter of FIG. 1;

FIG. 5 is a top plan view of the set of cushions for chair perimeter of FIG. 1;

FIG. 6 is a bottom plan view of the set of cushions for chair perimeter of FIG. 1; and,

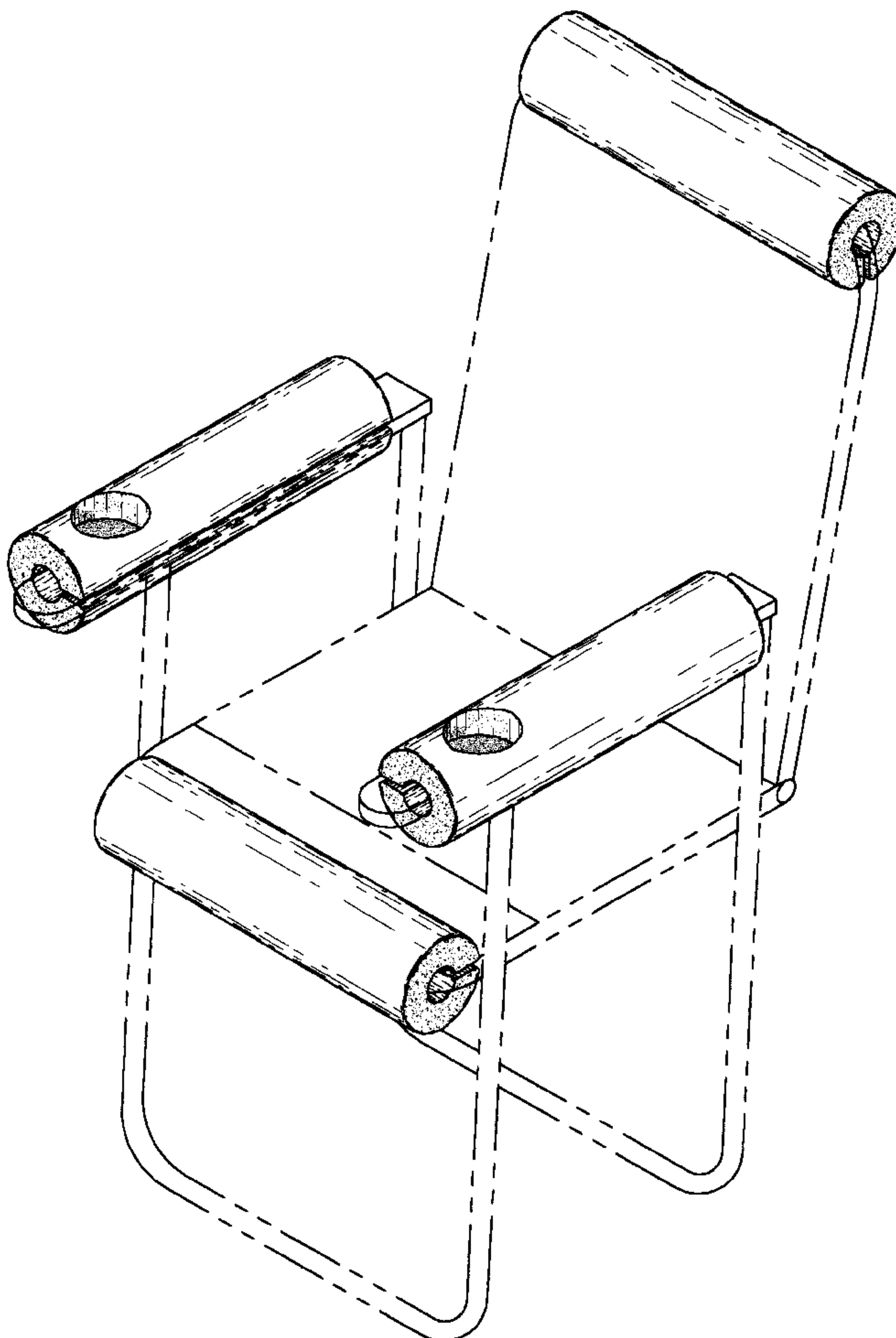
FIG. 7 is a perspective view of the set of cushions for chair perimeter showing my new design in association with a chair which is illustrated in broken lines and forms no part of claimed design.

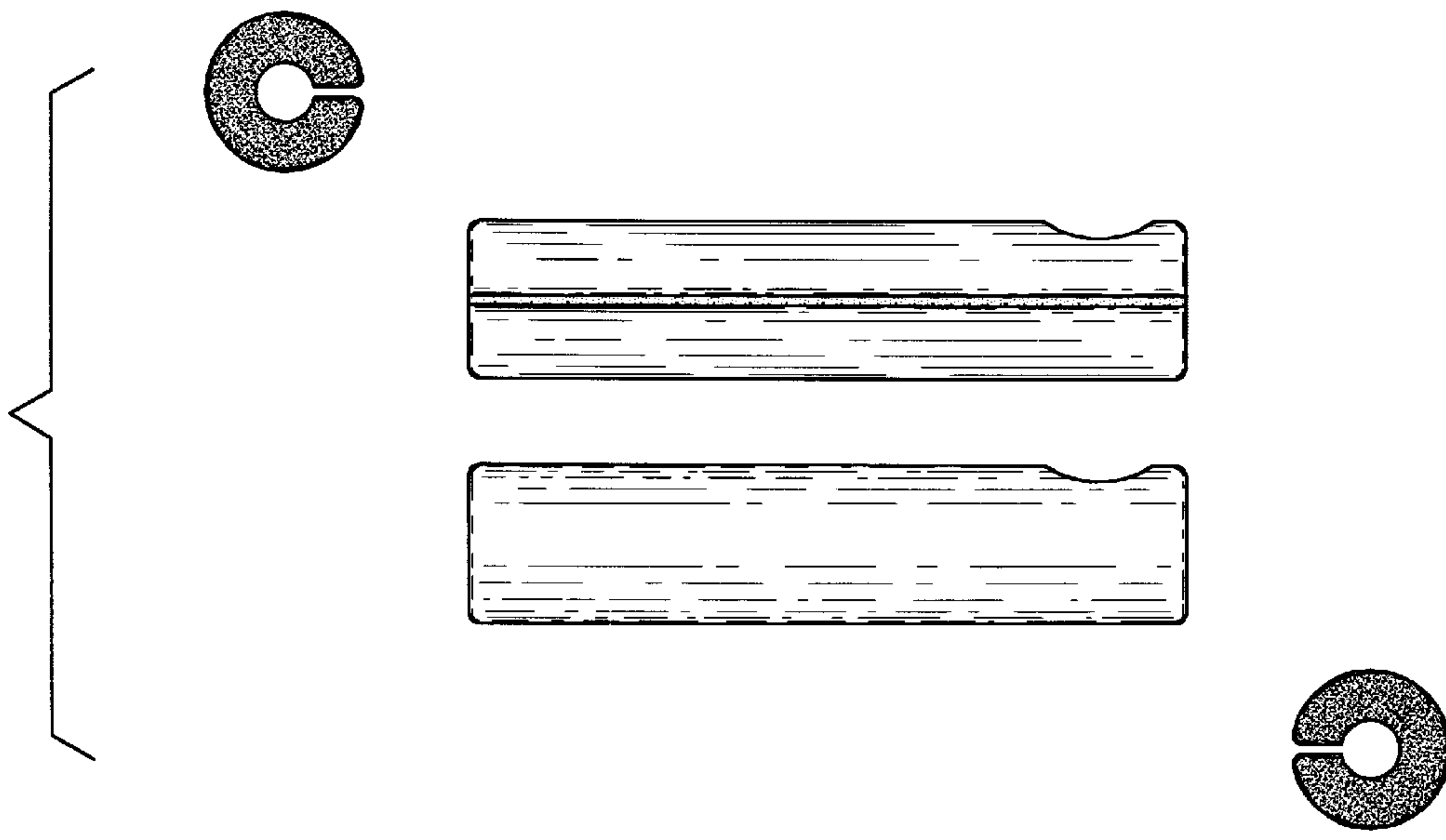
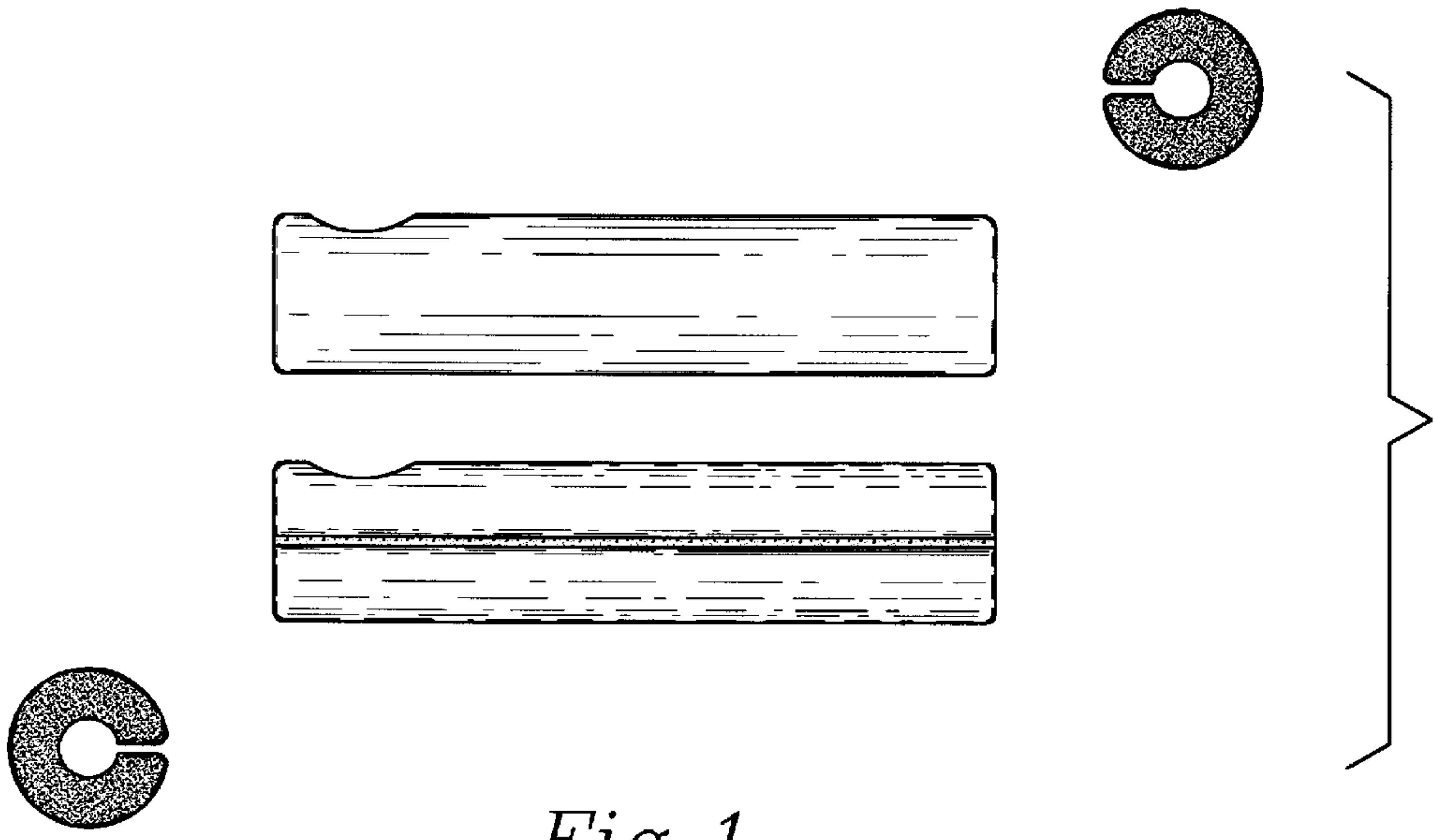
[56] **References Cited**

U.S. PATENT DOCUMENTS

D. 219,734	1/1971	Winrow	D6/368
D. 244,336	5/1977	Stein	D6/368
D. 340,142	10/1993	Totoro	D6/368
D. 346,925	5/1994	Egan	D6/601
2,461,082	2/1949	Purnell	297/411.42
3,663,055	5/1972	Gale	D3/274

1 Claim, 4 Drawing Sheets





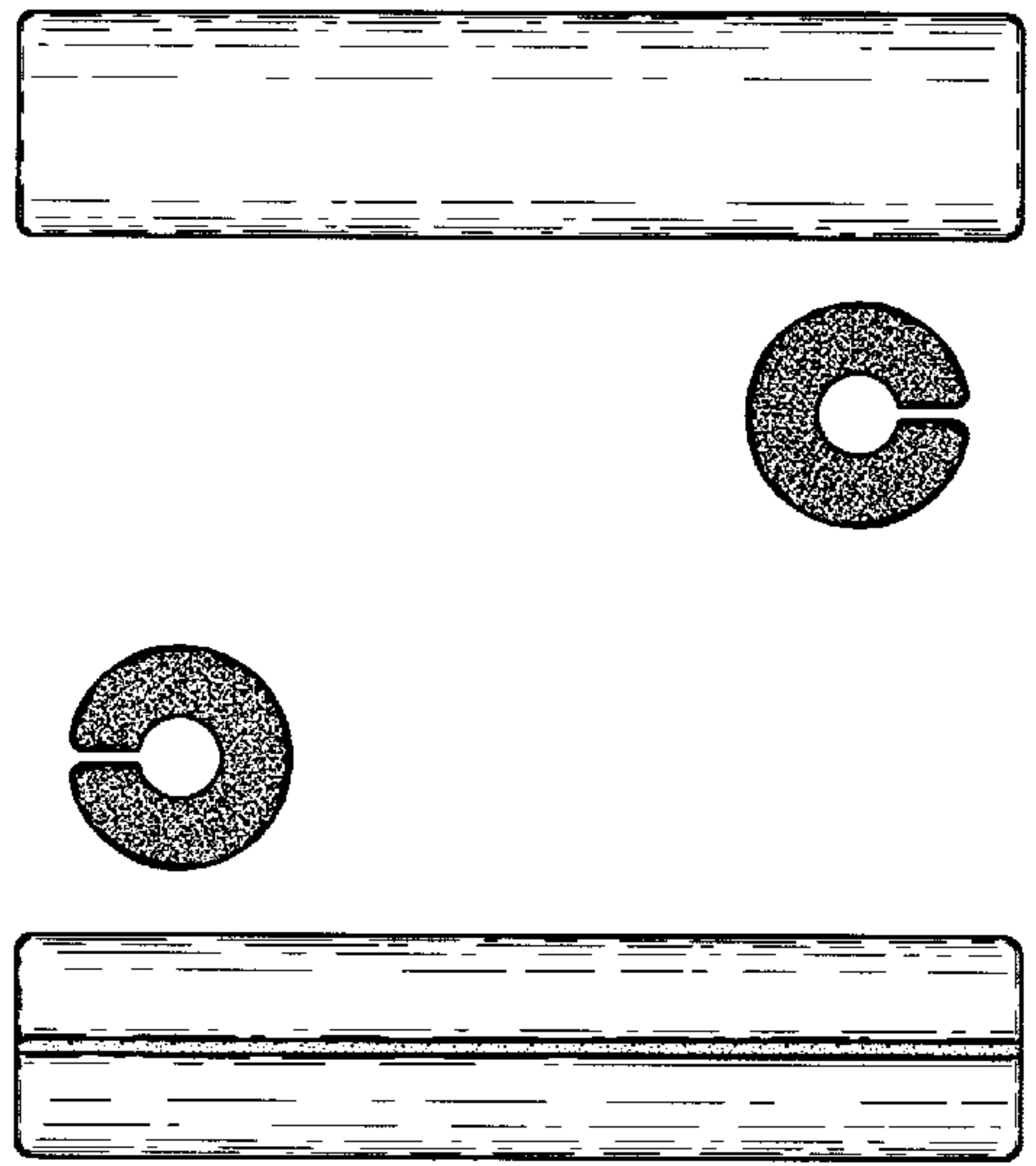


Fig. 4

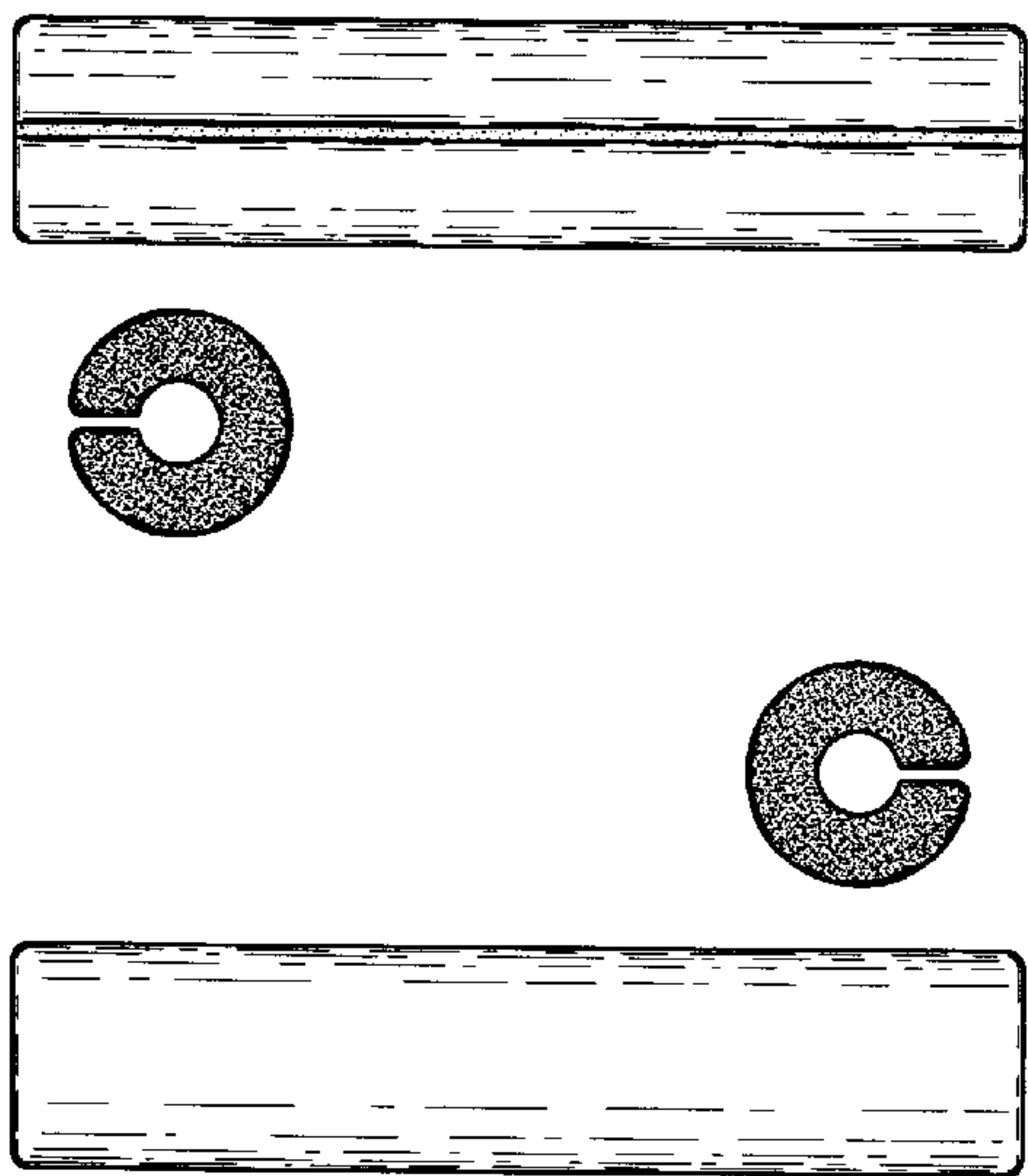


Fig. 3

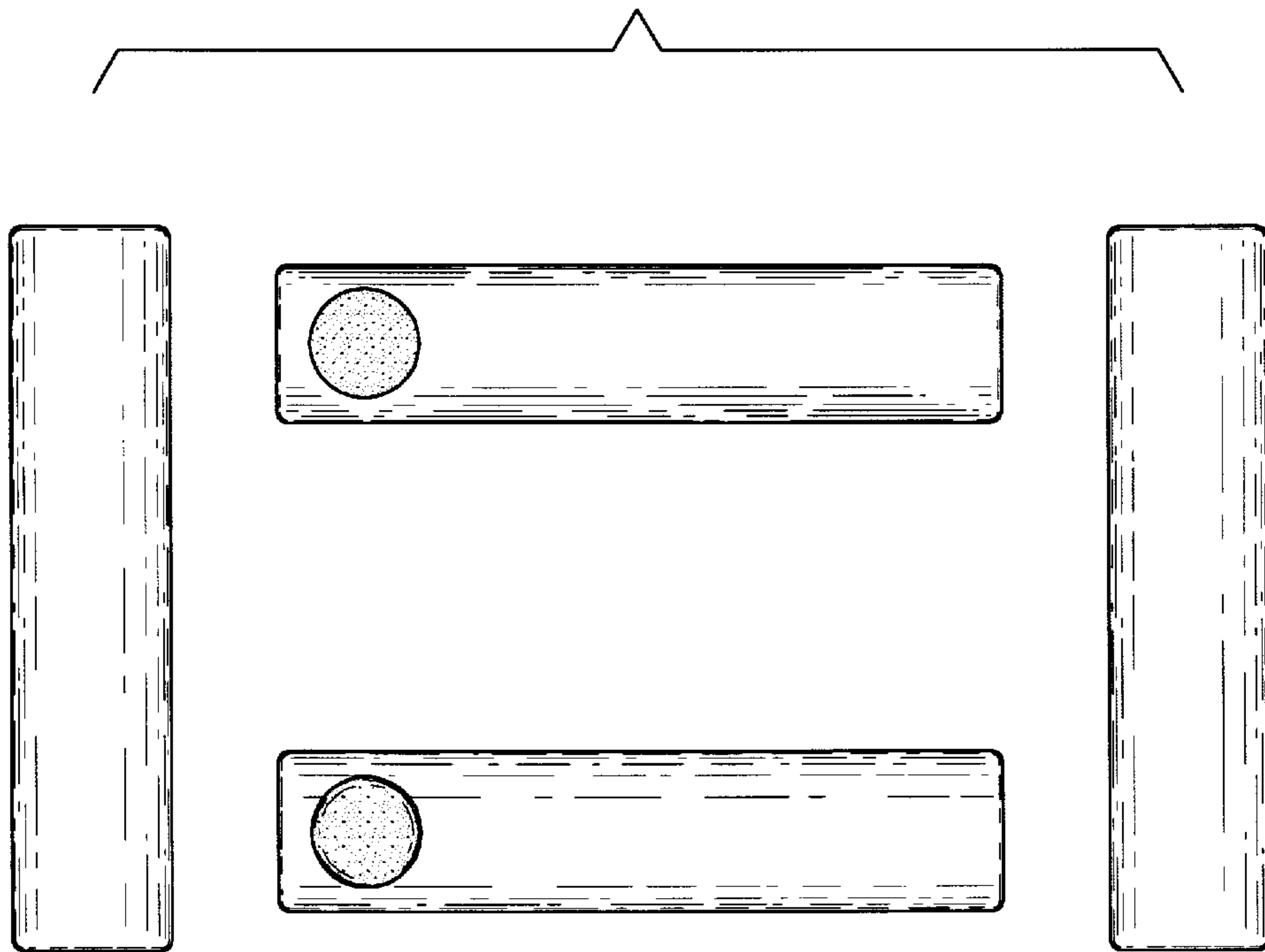


Fig. 5

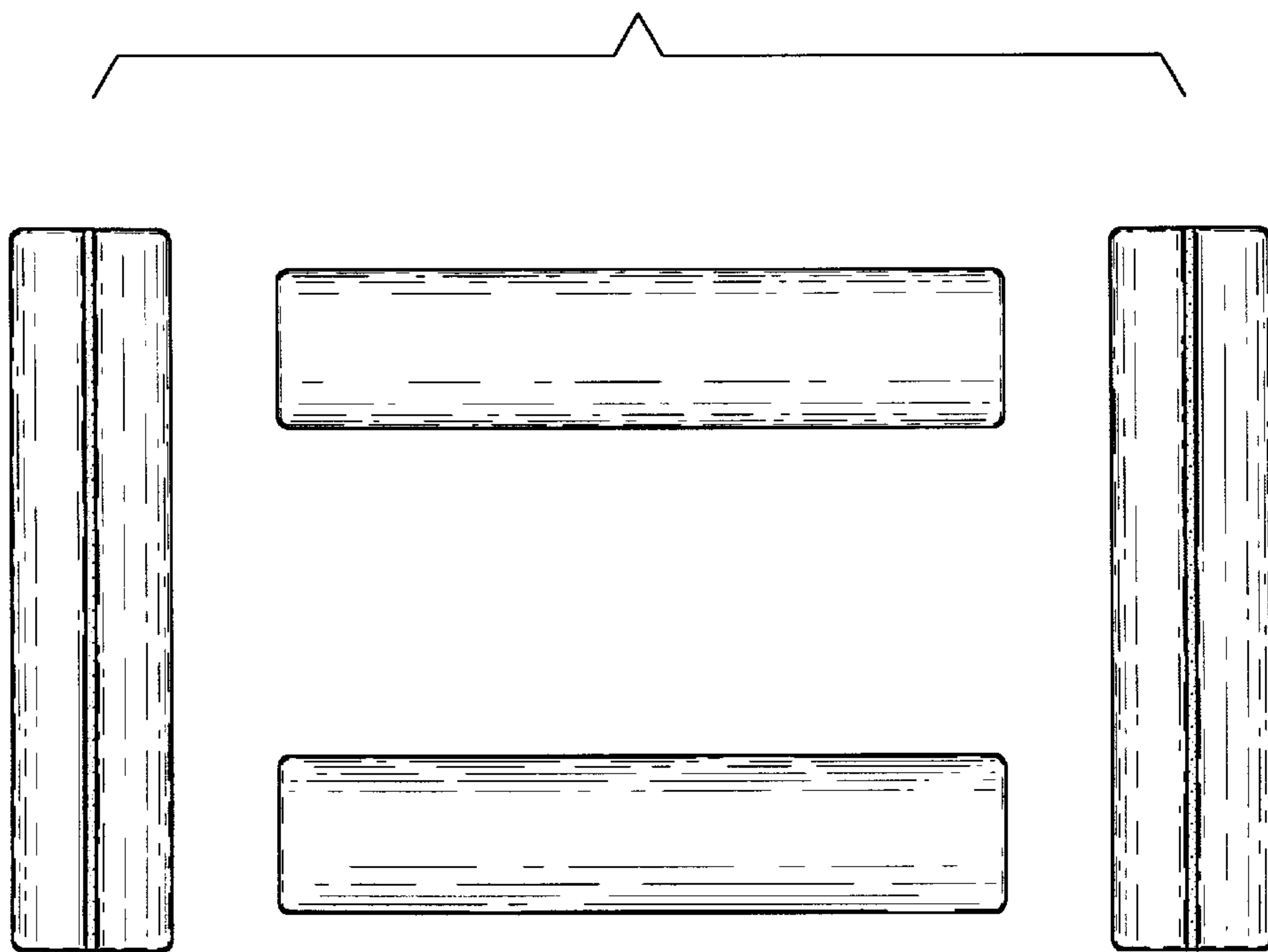


Fig. 6

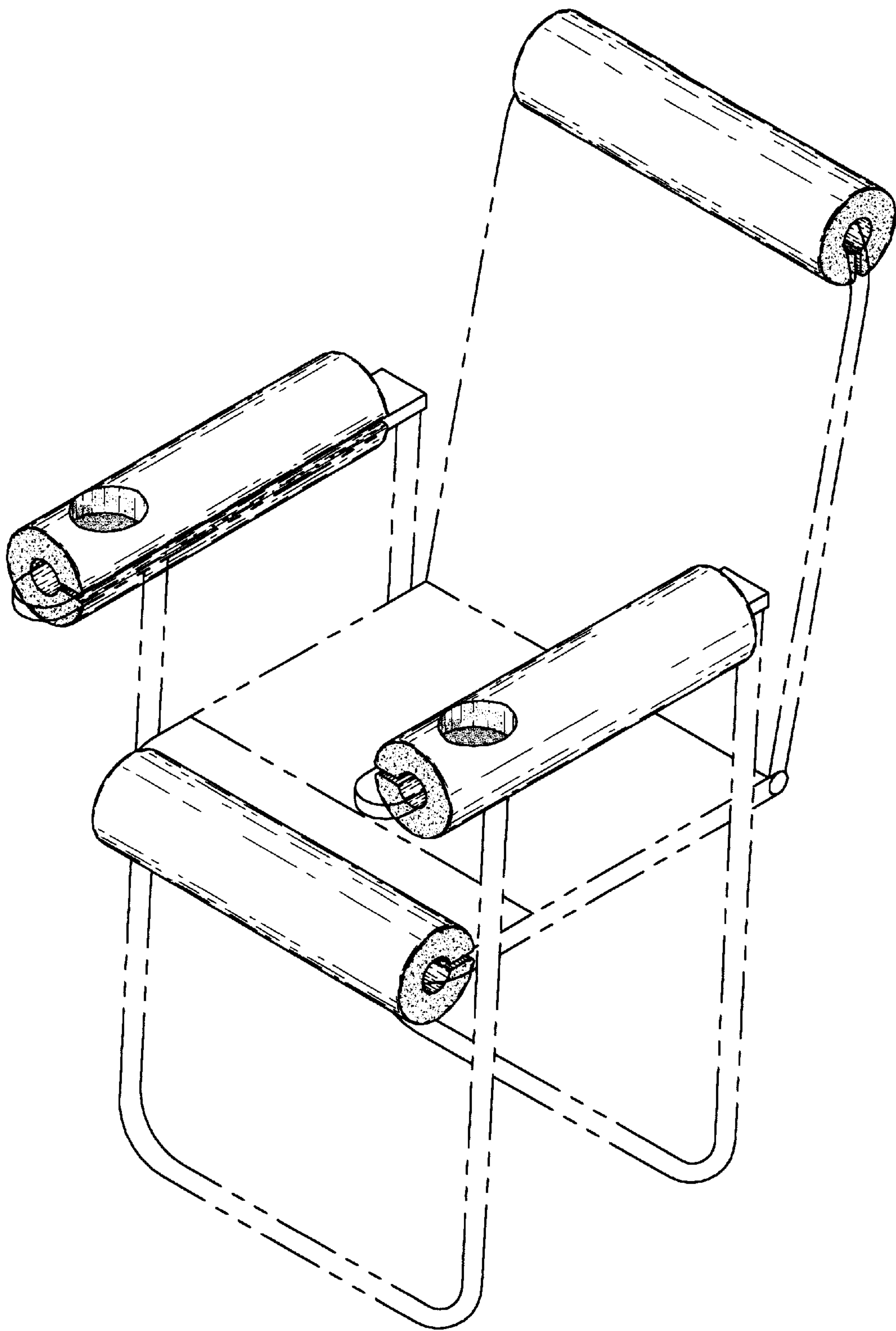


Fig. 7