



US00D424335S

# United States Patent [19]

[11] Patent Number: **Des. 424,335**

Lewis

[45] Date of Patent: **\*\* May 9, 2000**

[54] **SET OF TAPESTRIED SURFACES FOR A CHAIR ENSEMBLE**

[76] Inventor: **Sally Sirkin Lewis**, 715 Canon Dr., Beverly Hills, Calif. 90210

[\*\*] Term: **14 Years**

[21] Appl. No.: **29/111,981**

[22] Filed: **Oct. 8, 1999**

[51] **LOC (7) Cl.** ..... **06-12**

[52] **U.S. Cl.** ..... **D6/500; D5/61; D5/99**

[58] **Field of Search** ..... D5/20, 35, 55, D5/60, 61, 62, 99; 428/187, 542.2, 542.6, 904.4; D6/334, 379, 380, 500, 501, 502, 611

- D. 129,870 10/1941 Maisch .
- D. 155,527 10/1949 Minger .
- D. 168,703 1/1953 Odzer ..... D5/62
- D. 186,259 9/1959 Howell .
- D. 191,936 12/1961 McEwan .
- D. 283,973 5/1986 Hougaard ..... D5/62
- D. 317,085 5/1991 Cerny .
- D. 342,629 12/1993 Tseng ..... D6/370
- D. 364,743 12/1995 Lewis .
- D. 373,253 9/1996 Maple ..... D6/370
- 5,067,771 11/1991 Ellis ..... D6/500

*Primary Examiner*—Robert M. Spear  
*Attorney, Agent, or Firm*—Finnegan, Henderson, Farabow, Garrett & Dunner, L.L.P.

[57] **CLAIM**

The ornamental design for set of tapestried surfaces for a chair ensemble, as shown and described.

**DESCRIPTION**

FIG. 1 is a front view of my set of tapestried surfaces for a chair ensemble design according to a first embodiment; FIG. 2 is a back view of the set of tapestried surfaces for a chair ensemble of FIG. 1; FIG. 3 is a top view of the set of tapestried surfaces for a chair ensemble of FIG. 1; FIG. 4 is a left side view of the set of tapestried surfaces for a chair ensemble of FIG. 1; FIG. 5 is a right side view of the set of tapestried surfaces for a chair ensemble of FIG. 1; FIG. 6 is a front view of my set of tapestried surfaces for a chair ensemble design according to a second embodiment; FIG. 7 is a back view of the set of tapestried surfaces for a chair ensemble of FIG. 6; FIG. 8 is a top view of the set of tapestried surfaces for a chair ensemble of FIG. 6; FIG. 9 is a left side view of the set of tapestried surfaces a the chair ensemble of FIG. 6; and, FIG. 10 is a right side view of the set of tapestried surfaces for a chair ensemble of FIG. 6.

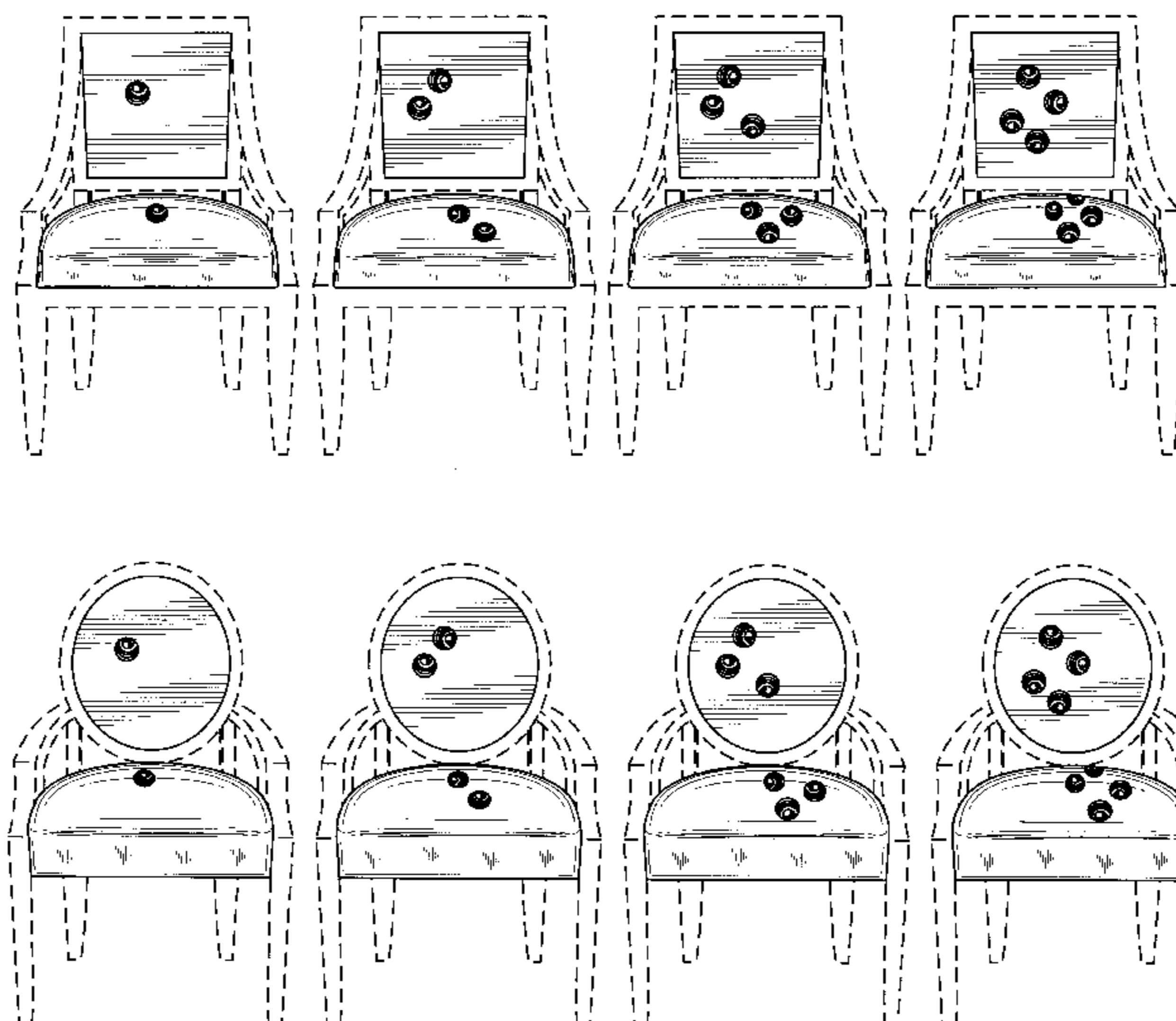
The broken line drawings of the chairs are for illustrative purposes only and form no part of the claimed design.

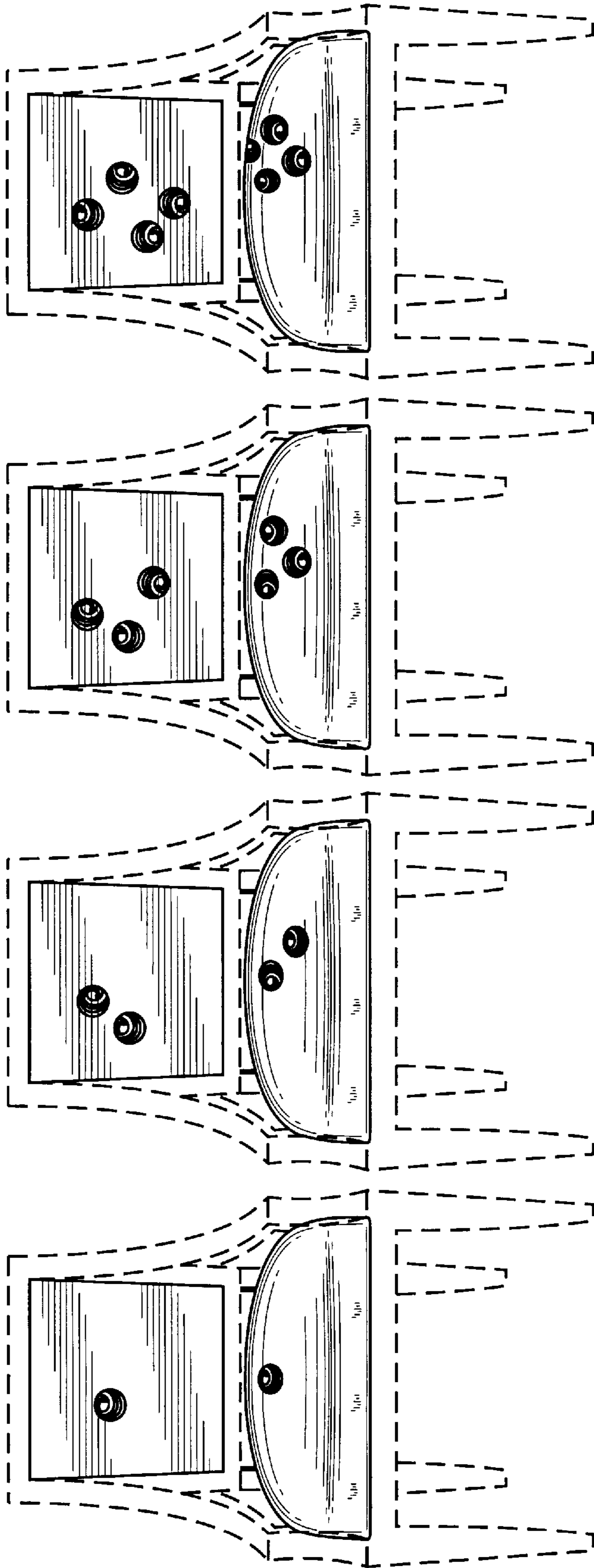
**1 Claim, 8 Drawing Sheets**

[56] **References Cited**

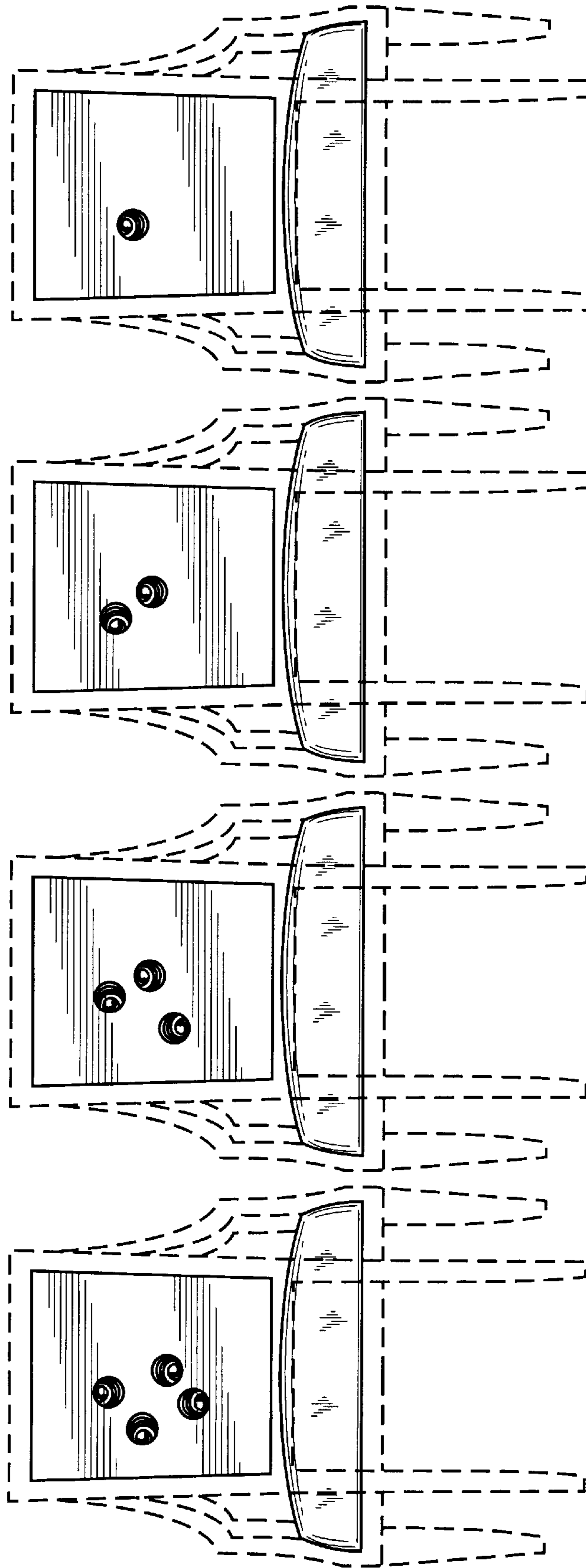
**U.S. PATENT DOCUMENTS**

- D. 50,887 6/1917 Godfrey .
- D. 51,109 8/1917 Hanson et al. .
- D. 51,320 10/1917 Nathan .
- D. 68,724 11/1925 Marwede ..... D5/62
- D. 78,731 6/1929 Danzer .
- D. 88,196 11/1932 Willheim ..... D5/62
- D. 88,528 12/1932 George .
- D. 88,693 12/1932 Villani ..... D5/62
- D. 88,826 12/1932 Roberson ..... D5/62
- D. 89,266 2/1933 Schweizer .
- D. 89,357 2/1933 Rubinger ..... D5/62
- D. 91,880 4/1934 Herrel .
- D. 96,016 6/1935 Bruine ..... D5/62
- D. 100,433 7/1936 Martin ..... D5/62
- D. 101,988 11/1936 Heim .
- D. 103,093 2/1937 Chiat .
- D. 105,961 9/1937 Mallison ..... D5/62
- D. 109,423 4/1938 Salomon .
- D. 113,303 2/1939 Kornfeld .
- D. 119,495 3/1940 Grivin .
- D. 121,041 6/1940 Orian .
- D. 122,735 9/1940 Christen .
- D. 125,471 2/1941 Hand .
- D. 125,995 3/1941 Lebworth .
- D. 129,252 8/1941 Zavell .

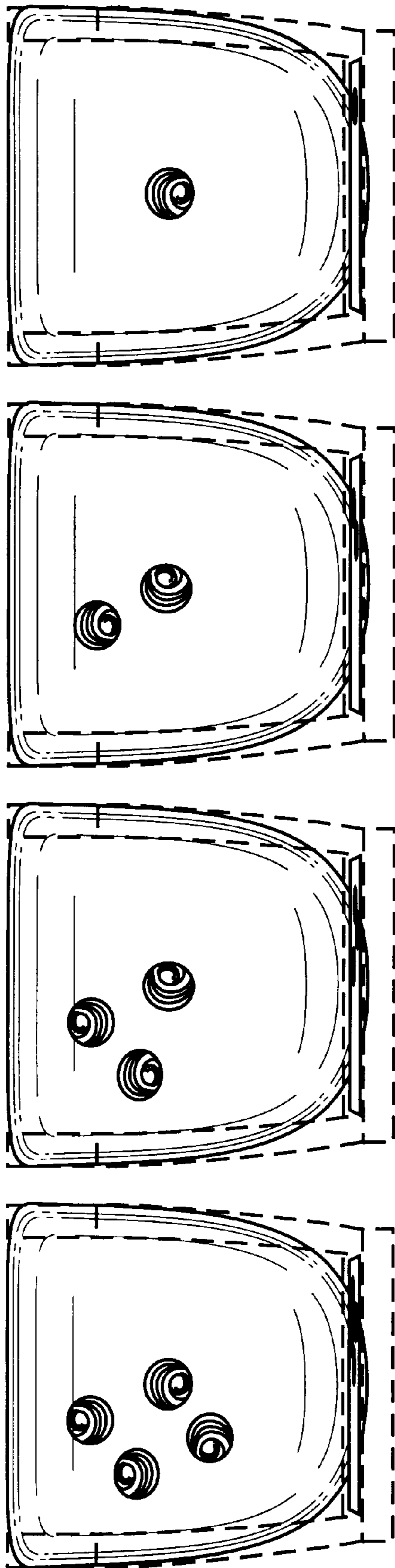




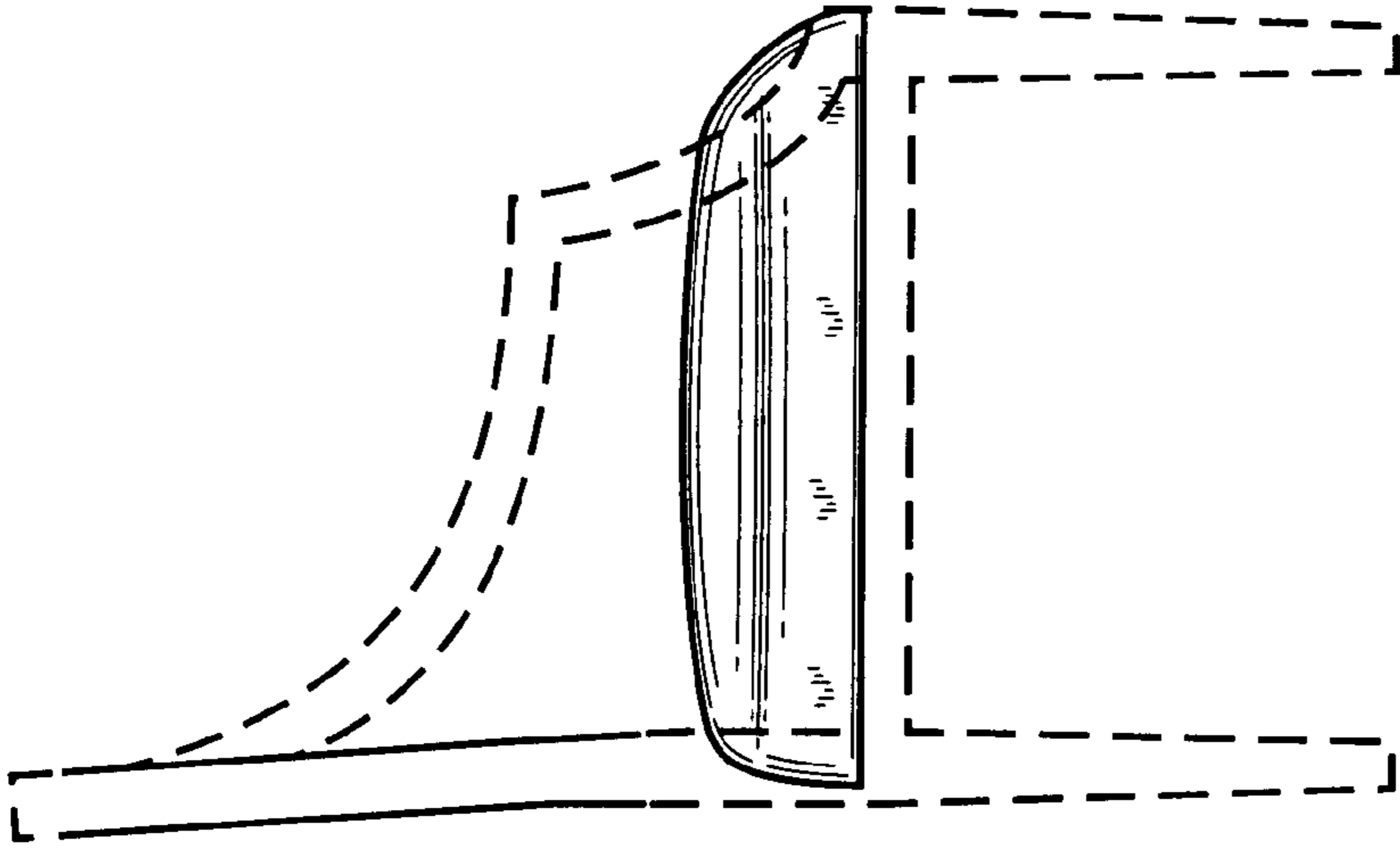
**FIG. 1**



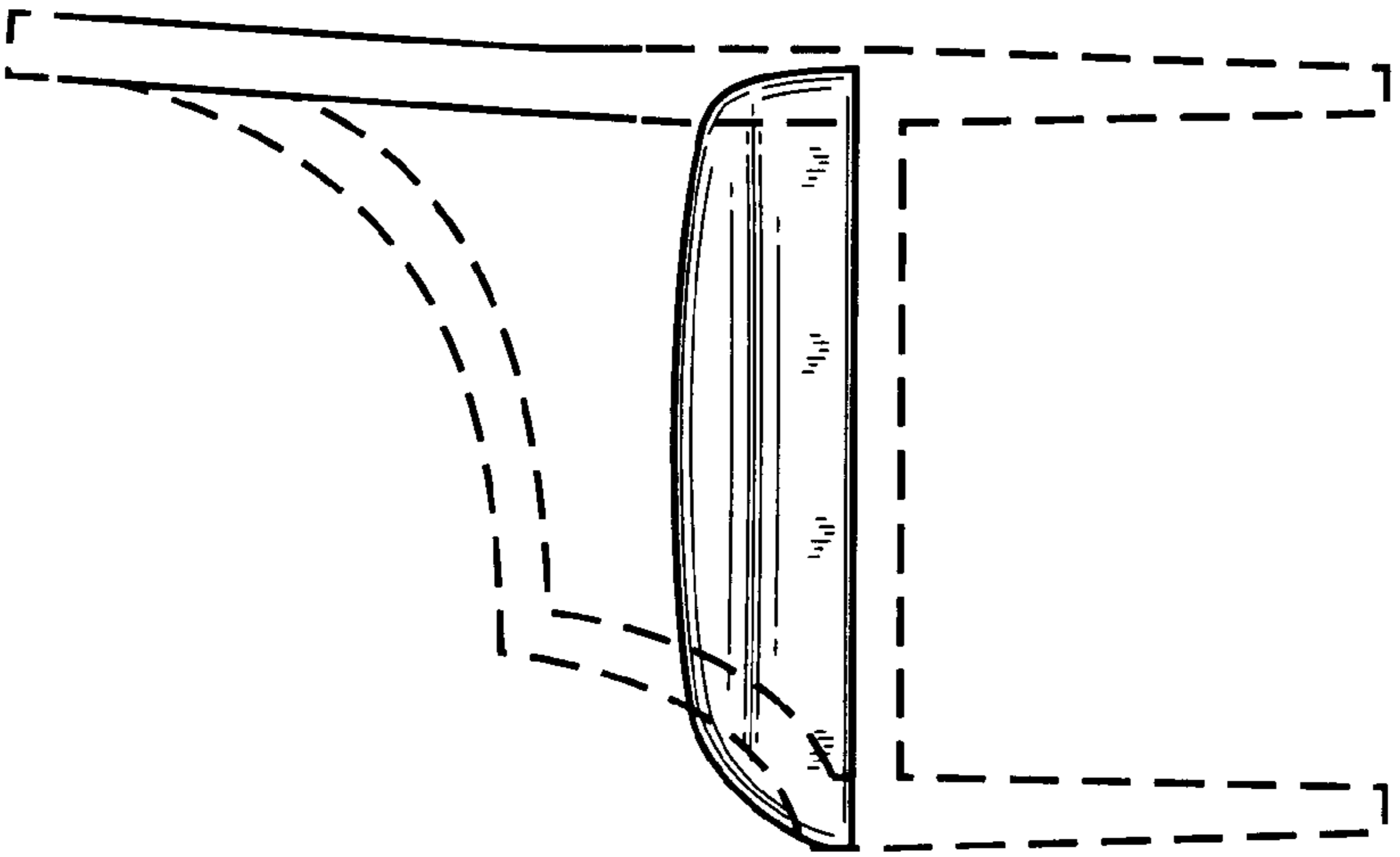
**FIG. 2**



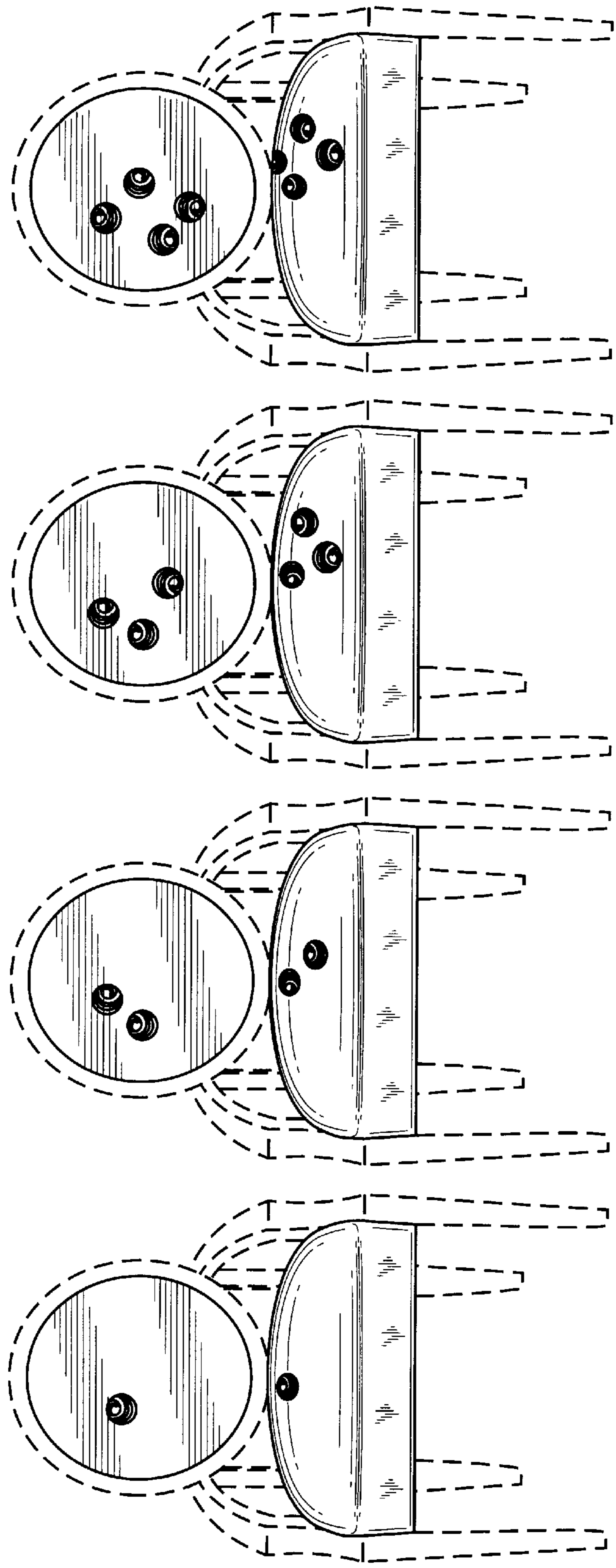
**FIG. 3**



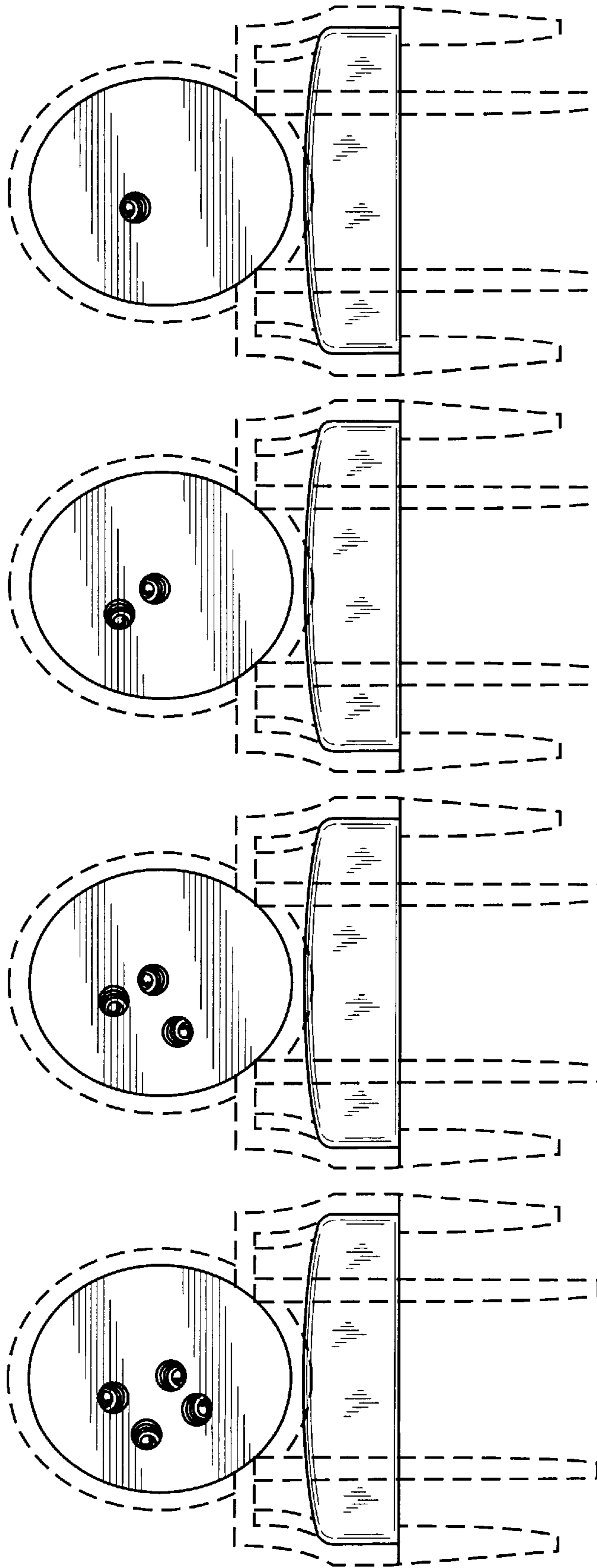
**FIG. 4**



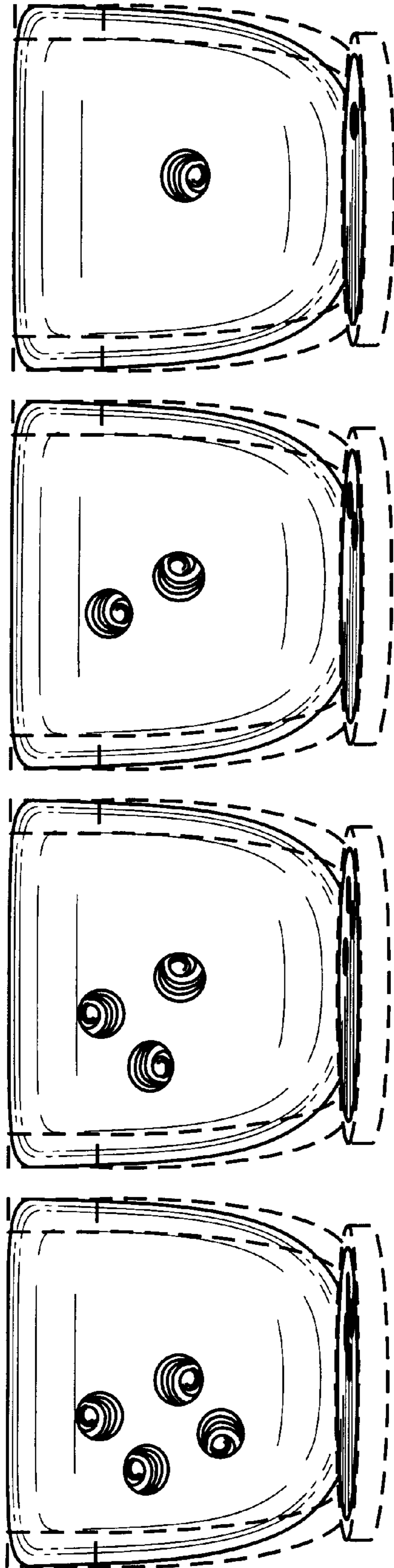
**FIG. 5**



**FIG. 6**

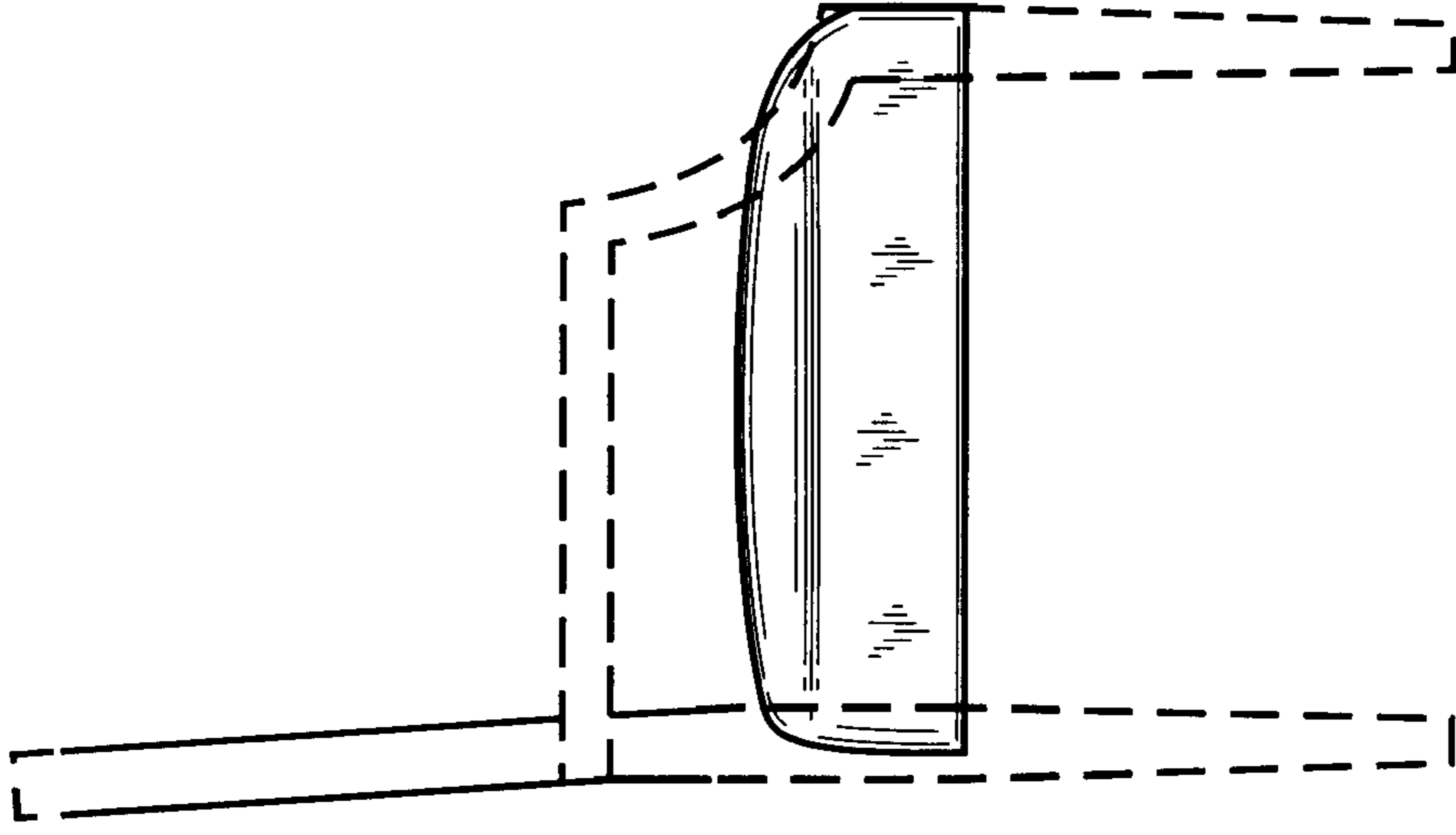


**FIG. 7**

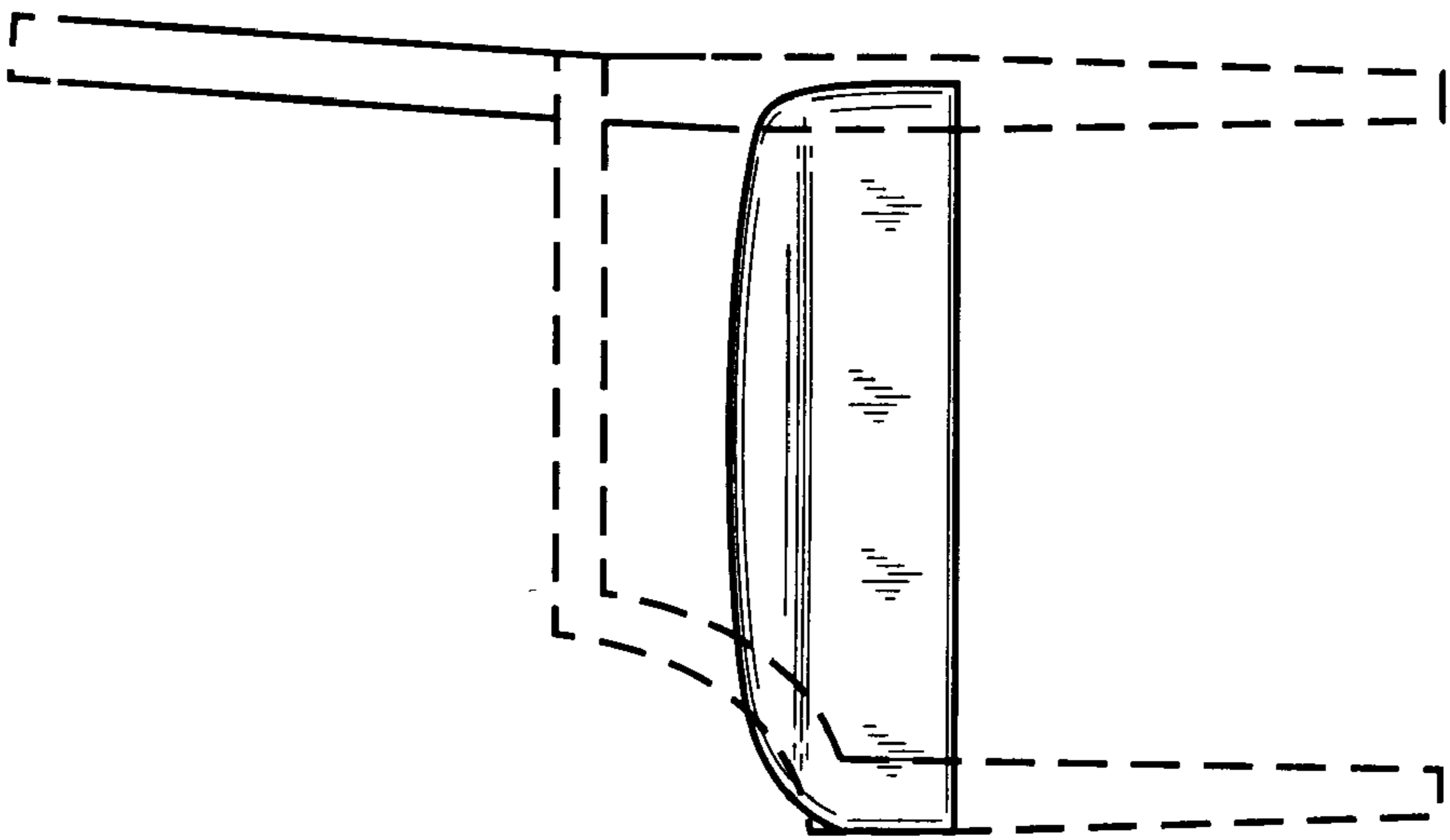


**FIG. 8**





**FIG. 9**



**FIG. 10**